

CHICAGO FAUCETS
a Geberit company

2100 South Clearwater Drive
Des Plaines, IL 60018
Phone: 847-803-5000
Fax: 847-803-5454
www.chicagofaucets.com

REPAIR PARTS

BY: SID DATE: 06-08-10
CHK: *[Signature]* REV:

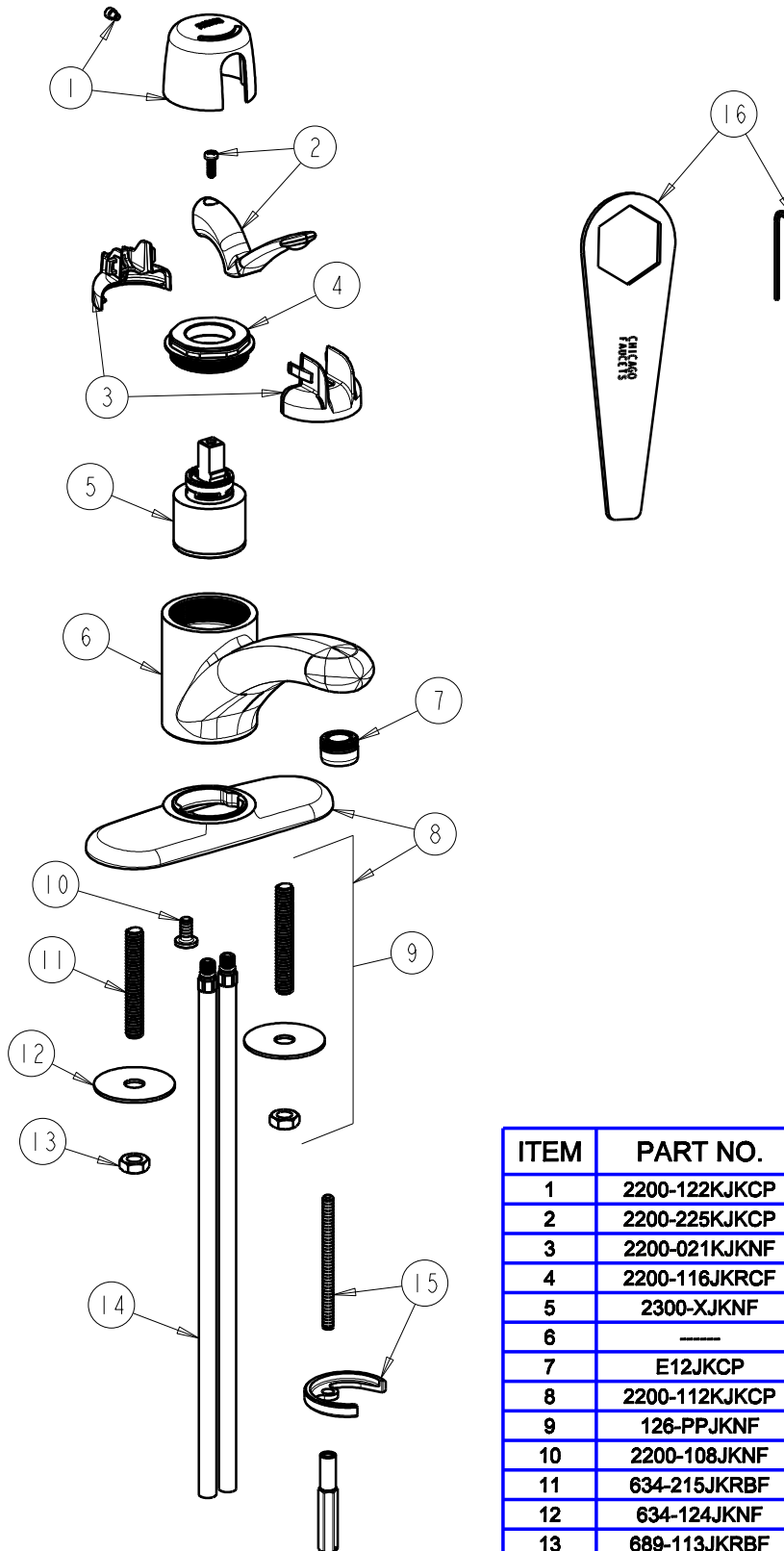
FITTING NO.

2200-4ABCP

SUBMITTED MODEL NO.

ITEM NO.

FOR TECHNICAL ASSISTANCE
1-800-TEC-TRUE (1-800-832-8783)



ITEM	PART NO.	DESCRIPTION
1	2200-122KJKCP	CAP AND SCREW ASSEMBLY
2	2200-225KJKCP	LEVER HANDLE
3	2200-021KJKNF	CARTRIDGE SPIN CAP ASSEMBLY
4	2200-116JKRCF	NUT, HOLDDOWN
5	2300-XJKNF	40 mm SINGLE LEVER CARTRIDGE
6	-----	SPOUT
7	E12JKCP	SOFTFLO OUTLET
8	2200-112KJKCP	4" COVER PLATE W/STUD MOUNT
9	126-PPJKNF	PRE-PACK, MOUNTING HARDWARE
10	2200-108JKNF	SCREW, 1/4-20 UNC X 1/2 PHMS, 1
11	634-215JKRBF	STUD, 3/8-24 UNF X 2.5
12	634-124JKNF	WASHER, STEEL 1.75 X .43 X .06
13	689-113JKRBF	NUT, 3/8-24 UNF X .56 X .22
14	50-101KJKNF	SUPPLY TUBE ASSEMBLY
15	2200-015KJKNF	NUT, MOUNTING
16	2200-002KJKNF	WRENCH & HEX KEY