



# ZEMS6000AV

Exposed Flush Valve for Water Closets

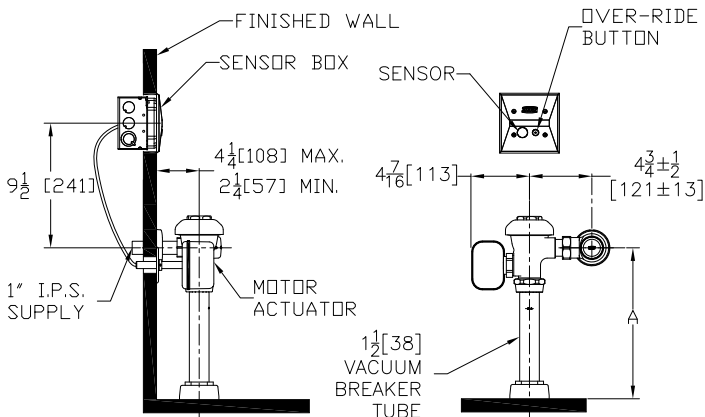
TAG \_\_\_\_\_

## Architectural/Engineering Specification:

Exposed, quiet diaphragm-type, chrome plated flushometer valve with a polished exterior. Complete with Zurn's AquaVantage® TPE, chloramine resistant, dual seal diaphragm with a clog resistant, triple filtered by-pass. The valve incorporates a 6VDC motor actuator, an automatic sensor with capacitive sensing push button override, high impact resistant polycarbonate housing and chrome plated plastic cover with manual override push button and 10 degree angled sensor.

## Product Features:

- Proprietary Dezincification resistant low lead brass alloy
- Control Stop has internal siphon-guard protection and vandal resistant stop cap, Sweat solder kit, wall flange with set screw.
- High back pressure Vacuum Breaker with one piece hex coupling nut
- Chloramine resistant Internal seals
- Adjustable tailpiece
- Spud coupling and flange for top spud connection



Rough-in/Overview dimensions

## Accessories (Order separate as specified)

- P6900-ACA-BA 7.6VDC Plug-In ACA Power Supply Powers up to 4 valves
- P6000-HW6 7.6VDC Hardwired Power Converter Powers up to 8 valves
- P6000-MJ Mini Junction Box

## Compliance and Certification:

- ADA Compliant
- WaterSense Compliant



## Flow Options:

	Flush Volume	WaterSense Compliant
-ONE*	1.1 gpf	✓
-HET*	1.28 gpf	✓
-WS1	1.6 gpf	
-Standard	3.5 gpf	

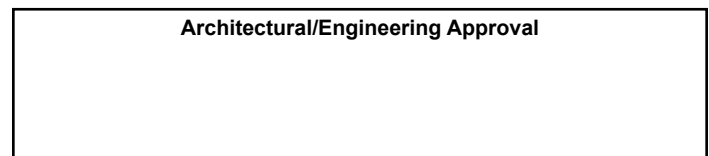
## Suffix Options:

- FM12 Floor Mount 12" Rough In
- MOB Manual Over-ride Button (Front of Body)
- YJ Split Ring Pipe Support
- YK Solid Ring Pipe Support
- YO Bumper on Angle Stop

## Valve Height Options:

	Product No.	A
	ZEMS6000AV	11 1/2" [292]
	ZEMS6000AV-1	16" [406]
	ZEMS6000AV-2	24" [610]

\* Not available with triple filter by-pass



The information contained in this document is subject to change without notice. Please contact Zurn for most up to date information.

This product should be used with a WaterSense labeled counterpart with a compatible flow volume to ensure that the entire system meets the requirements for water efficiency and performance.

