



PIPE & COUPLING

NO-HUB SOIL PIPE AND FITTINGS

ADAPTER..... 12
 BEND..... 3,4
 CLEANOUT..... 13
 CLOSET FITTING..... 10
 CLOSET FLANGE..... 12
 COMBINATION..... 7
 CROSSES..... 7-8
 FERRULE..... 8
 FIGURE FITTING..... 11,12
 FITTINGS W/TAP..... 3,5,6,7,9,12
 FITTINGS W/SIDE OPENING..... 5,6,8
 INCREASER-REDUCER..... 8
 PIPE..... 2
 PLUG..... 8
 REDUCER..... 8
 SWEEP..... 3,4
 TEE..... 5,6,10
 TRAP..... 9
 VALU-PAK..... 25,26
 WYE..... 6,13

RUFWALL NO-HUB SPECIAL FITTINGS

APPLICATION..... 14
 CLEANOUT PLUG, PINNED..... 19
 COUPLING, TRANSITION..... 21
 HARDWARE ASSEMBLY..... 23,24
 FLOOR MOUNT BACK OUTLET..... 23
 WALL MOUNT..... 24
 SPECIAL FITTING..... 22,23
 BY-PASS..... 22
 COMBINATION, LONG..... 22
 FIGURE 1, EXTENDED..... 22
 SAN CROSS, TAPPED, EXTENDED..... 23
 SAN TEE, DOUBLE SWEEP..... 22
 SAN TEE, TAPPED, EXTENDED..... 23
 SWEEP, EXTENDED..... 22
 WASTE & VENT, LONG..... 22
 STARTER FITTING..... 15-18
 DOUBLE VERTICAL 90°..... 18
 NO-HUB VERTICAL..... 16
 NO-HUB VERTICAL, NEW YORK..... 17
 THREADED VERTICAL..... 15
 P-TRAP, SIDE INLET..... 20
 TUB WYE..... 21
 WASTE CONNECTION..... 19

HUB & SPIGOT PIPE & FITTINGS

BEND..... 31,32
 CLEANOUT..... 37
 COMBINATIONS SV..... 34,36,37,38
 CROSSES..... 35,37
 DOUBLE HUB..... 38
 FITTINGS W/TAP..... 35,37,38,39
 FITTINGS W/SIDE
 OPENING..... 34,35,36,37,39
 "H" BRANCH..... 34
 INCREASER..... 38
 OFFSET..... 33
 PIPE..... 29,30
 PLUG..... 37
 REDUCER..... 37
 SWEEP..... 32
 TEE..... 32,33,36,37
 TRAP..... 38,39
 VALU-PAK..... 27,28
 WYE..... 33,34,35,36

CHICAGO RUFWALL SV SPECIAL FITTINGS

BENDS, CLOSET..... 44
 BYPASS..... 44
 CLOSET FITTING..... 40-41
 BACK OUTLET..... 41
 FLOOR OUTLET..... 40
 CROSS..... 46
 MANIFOLD..... 46
 STACK, SINK..... 45
 TEE..... 44,45
 LONG SWEEP..... 44
 WASTE..... 45
 WYE..... 44,45
 BATH..... 44
 DOUBLE..... 45

COUPLINGS, GASKETS, LUBRICANT & TOOLS

NO-HUB COUPLINGS..... 47
 TRANSITION COUPLINGS..... 47
 TORQUE WRENCH..... 47
 SV GASKETS..... 48
 LUBRIFAST..... 48
 TY-SEAL LUBRICANT..... 48
 PIPE PULLER..... 49,50

TABLE OF CONTENTS

STAPLE SPECIALS & DRAINS

ADAPTORS..... 51
 AREA DRAINS..... 56
 BACK WATER VALVE..... 58
 BAR GRATES..... 57
 CESSPOOL DRAINS..... 56
 CLEANOUT BODIES..... 51
 CLEANOUT PLUGS, BRASS..... 55
 CLEANOUTS, EXTENSION..... 51
 CLOSET BENDS, PLAIN END..... 54
 CLOSET BENDS REDUCING,
 PLAIN END..... 54
 CLOSET BENDS REGULAR HUB..... 54
 CLOSET BENDS REGULAR HUB
 REDUCING..... 54
 CLOSET BENDS W/SIDE OUTLET..... 54
 CLOSET FLANGES SERIES 2-252..... 53
 CLOSET FLANGES, TORQUE SET..... 52
 CLOSET FLANGES, PUSH-O..... 53
 DROP LID..... 52
 FERRULES..... 51
 FLOOR DRAINS..... 57,58
 INSERTABLE JOINT..... 51
 INSTALLATION DATA, CLOSET FLANGE..... 55
 PARTS, FLOOR DRAIN..... 59
 SEWER SADDLE..... 52
 SHOWER DRAIN..... 58
 TEST PLUGS, WING NUT..... 52
 TEST TEE..... 51
 VENT CAP..... 57

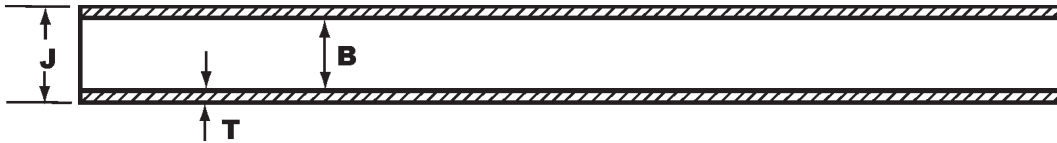
REFERENCE DATA

GUIDE TO ORDERING..... INSIDE FRONT
 COVER
 PIPE O.D.'..... 62
 SUBMITTALS
 EZ-TITE GASKETS..... 63
 TY-SEAL GASKETS..... 64-65
 STANDARD NO-HUB COUPLINGS..... 66
 NO-HUB CI SOIL PIPE & FITTINGS..... 67
 HUB & SPIGOT CI SOIL PIPE
 & FITTINGS..... 68
 QUESTIONS & ANSWER..... 60,61



PIPE & COUPLING

**NO-HUB PIPE
ASA Group 022**



**NO-HUB PIPE,
TEN-FOOT LAYING LENGTH**

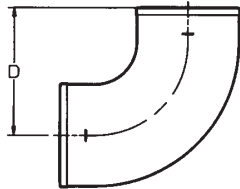
UPCode 670610	Dia.	Per Bundle Piece
006763	1½	54
006770	2	54
006787	3	36
006794	4	27
006800	5	24
006817	6	18
006824	8	15
006831	10	8
376583	12	6
376590	15	4

“Tyler Pipe Company strongly recommends that its hubless cast iron pipe and fittings be joined with shielded couplings manufactured in accordance with CISPI 310. The use of unshielded couplings or any coupling not meeting the above specifications will void the product warranty”



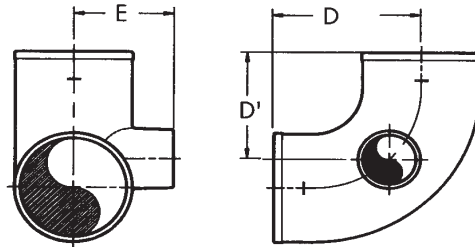
PIPE & COUPLING

**NO-HUB ASA GROUP 022
BENDS & SWEEPS**



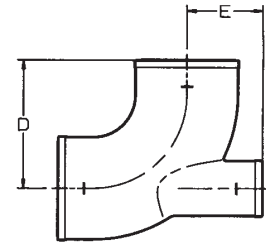
QUARTER BEND

UPCode 670610	Size	D
006848	1½	4¼
006855	2	4½
006862	3	5
006879	4	5½
006886	5	6½
006893	6	7
006909	8	8½



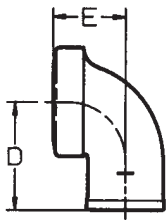
**QUARTER BEND
w/2" Side Opening**

UPCode 670610	Size	D	D'	E
006923	3	5	4	3¼
006930	4	5½	4 ⁵ / ₁₆	3¾

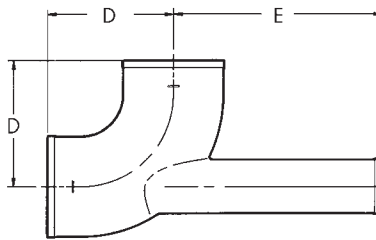


**QUARTER BEND
w/ 2" Heel Opening**

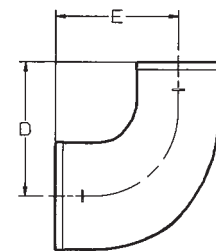
UPCode 670610	Size	D	E
006947	3	5	2 ⁷ / ₈
006954	4	5½	3¼



**QUARTER BEND
WITH 2" EXTENDED LOW
HEEL INLET**



UPCode 670610	Size	D	E
011019	3x2	5	10½

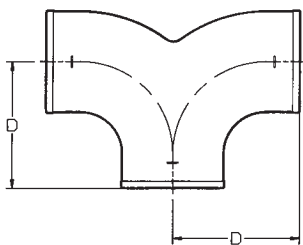


**REDUCING QUARTER BEND
(FLA. STYLE)**

UPCode 670610	Size	D	E
006916	4x3	5½	5

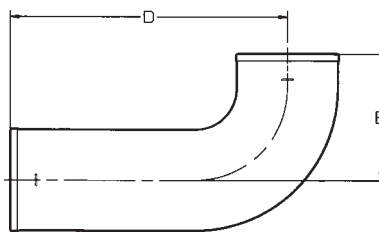
TAP SHORT QUARTER BEND

UPCode 670610	Size	D	E
006961	1½x1½	3	2
006978	2x1¼	3¼	2¼
006985	2x1½	3¼	2¼
006992	2x2	3¼	2¼



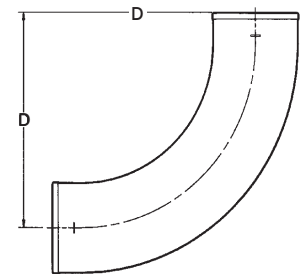
DOUBLE QUARTER BEND

UPCode 670610	Size	D
007012	2	4½
007029	3	5
007036	4	5½



LONG QUARTER BEND

UPCode Code	Size-Lgth	D	E
007067	2-12	12	4½
007043	2-14	14	4½
007050	2-16	16	4½
007074	2-18	18	4½
062875	2-24	24	4½
007081	3-12	12	5
007098	3-18	18	5
007104	4-12	12	5½



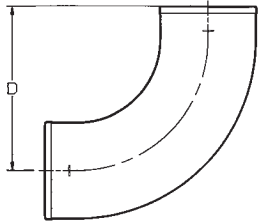
LONG SWEEP

UPCode 670610	Size	D
007180	1½	9¼
007197	2	9½
007203	3	10
007258	4x3	10½
007210	4	10½
007227	5	11½
007234	6	12



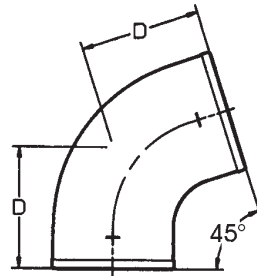
PIPE & COUPLING

**NO-HUB ASA GROUP 022
BENDS & TEES**



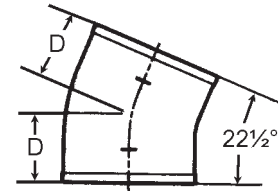
SHORT SWEEP

UPCode 670610	Size	D
007111	2	6½
007128	3	7
007135	4	7½
007142	5	8½
007159	6	9
007166	8	10½
007173	10	12
376651	12	13¼
376668	15	14¾



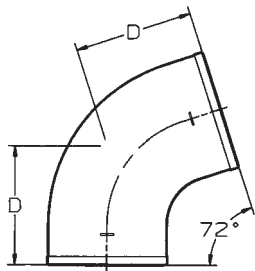
EIGHTH BEND

UPCode 670610	Size	D
007326	1½	2⅝
007333	2	2¾
007340	3	3
007357	4	3⅛
007364	5	3⅞
007371	6	4⅛
007388	8	5
007395	10	5 15/16
376491	12	6 9/16
376675	15	7 13/16



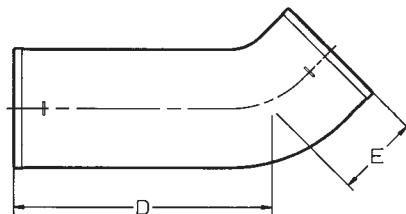
SIXTEENTH BEND

UPCode 670610	Size	D
007487	1½	2⅝
007494	2	2⅝
007500	3	2¼
007517	4	2⅝
007524	5	2⅞
007531	6	3
007548	8	3¾



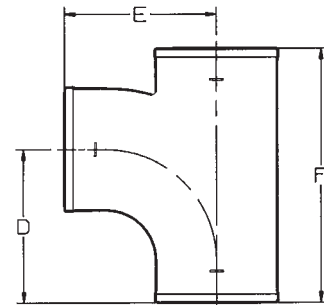
FIFTH BEND

UPCode 670610	Size	D
007265	2	3 11/16
007272	3	4 1/16
007289	4	4 7/16



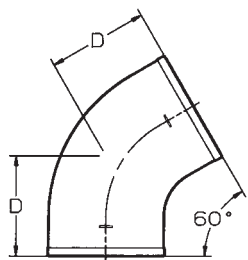
LONG EIGHTH BEND

UPCode 670610	Size - Length	D	E
382652	2-6	6	2¾
007401	2-12	12	2¾
007432	2-16	16	2¾
007456	2-18	18	2¾
007425	3-12	12	3
007449	4-12	12	3⅛



SAN TEE

UPCode 670610	Size	D	F	E
007555	1½	4¼	6½	4¼
007562	2x1½	4¼	6⅝	4½
007579	2	4½	6⅞	4½
007586	3x1½	4¼	6½	5
007593	3x2	4½	6⅞	5
007609	3	5	8	5
007616	4x2	4½	6⅞	5½
007623	4x3	5	8	5½
007630	4	5½	9⅞	5½
007647	5x2	5	8½	6
007654	5x3	5½	9⅝	6
007661	5x4	6	10 13/32	6
007678	5	6½	11 7/16	6½
007685	6x2	5	8⅜	6½
007715	6x3	5½	9⅜	6½
007692	6x4	6	10 1/16	6½
382669	6x5	6½	11½	7
007708	6	7	12½	7
007722	8x3	6	10⅞	7½
007739	8x4	6½	11½	7½
007746	8x5	7	12½	8
007753	8x6	7½	13½	8
007760	8	8½	15½	8½



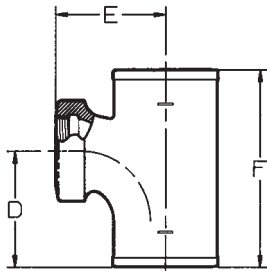
SIXTH BEND

UPCode 670610	Size	D
007296	2	3¼
007302	3	3½
007319	4	3 13/16



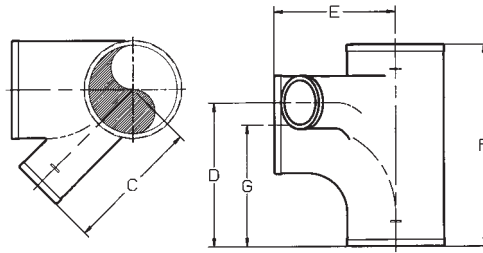
PIPE & COUPLING

**NO-HUB ASA Group 022
TEES**



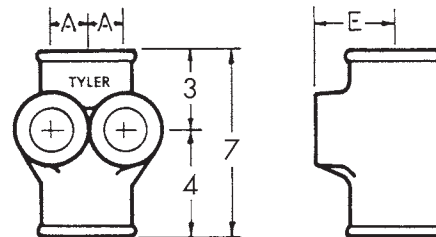
SAN TAP TEE

UPCode 670610	Size x Tap	D	E	F
007968	1½ x 1¼	3¼	2⅞	5⅞
007975	1½	3¼	2⅞	5⅞
007982	2 x 1¼	3¼	2 ¹³ / ₁₆	5⅞
007999	2 x 1½	3¼	2 ¹³ / ₁₆	5⅞
008002	2	3¾	3⅞	6¾
008019	3 x 1¼	3¼	3 ⁵ / ₁₆	5⅞
008026	3 x 1½	3¼	3 ⁵ / ₁₆	5⅞
008033	3 x 2	3¾	3 ⁹ / ₁₆	6¾
008040	3	4 ⁷ / ₈	4 ³ / ₁₆	8
008057	4 x 1¼	3¼	3 ¹³ / ₁₆	5⅞
008064	4 x 1½	3¼	3 ¹³ / ₁₆	5⅞
008071	4 x 2	3¾	4 ¹ / ₁₆	6¾
383277	4 x 3	4½	4 ³ / ₈	8
008095	5 x 1½	3¾	4 ⁵ / ₁₆	6⅞
008101	5 x 2	4¼	4 ⁹ / ₁₆	7 ¹⁵ / ₁₆
008125	6 x 1½	3¾	4 ¹³ / ₁₆	7 ¹⁵ / ₁₆
008132	6 x 2	4¼	5 ¹ / ₁₆	6¾



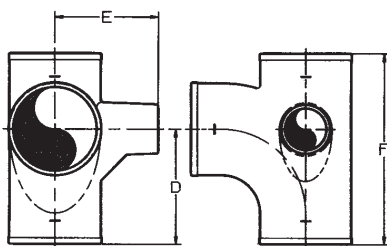
**SAN TEE
(w/2" 45° Side Opening Above Center)
New Orleans Code**

UPCode 670610	Size	Opening	C	D	E	F	G
007913	3	LH	5 ³ / ₈	6	5	8½	5
007937	3	RH	5 ³ / ₈	6	5	8½	5
387831	3	RL	5 ³ / ₈	6	5	8½	5
007920	4	LH	6 ¹ / ₈	6½	5½	9 ¹ / ₈	5½
007944	4	RH	6 ¹ / ₈	6½	5½	9 ¹ / ₈	5½



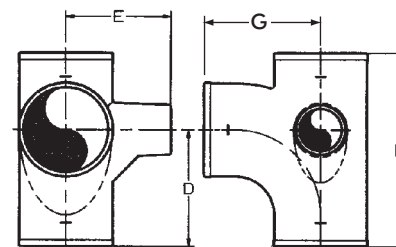
HORIZONTAL TWIN TAP TEE

UPCode 670610	Size	A	E
008170	3 x 1½	1 ³ / ₈	3
008187	4 x 1½	1 ³ / ₈	3½



**SAN TEE
(w/2" 90° Side Opening on Center)**

UPCode 670610	Size	Opening	E	F	D
007777	3	LH	4 ⁷ / ₁₆	8	5
007791	3	RH	4 ⁷ / ₁₆	8	5
007784	4	LH	4 ¹⁵ / ₁₆	9 ¹ / ₈	5½
007807	4	RH	4 ¹⁵ / ₁₆	9 ¹ / ₈	5½

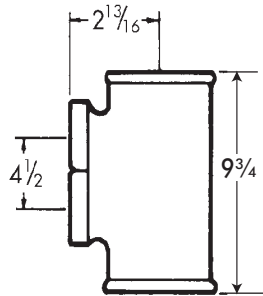


**SAN TEE
(w/2" 90° Side Opening Above Center)
New Orleans Code**

UPCode 670610	Size	Opening	C	D	E	F	G
007838	3	LH	4½	6	5	8½	5
007852	3	RH	4½	6	5	8½	5
007876	3	R&L	4½	6	5	8½	5
007845	4	LH	5	6½	5½	9 ¹ / ₈	5½
007869	4	RH	5	6½	5½	9 ¹ / ₈	5½
007883	4	R&L	5	6½	5½	9 ¹ / ₈	5½

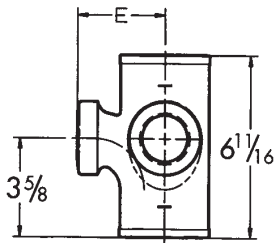


PIPE & COUPLING



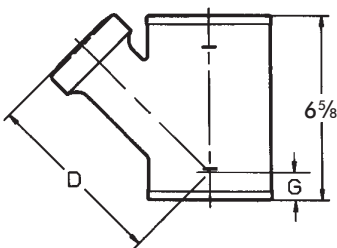
DOUBLE VERTICAL SAN TAP TEE

UPCode 670610	Size
008194	2x1 1/2



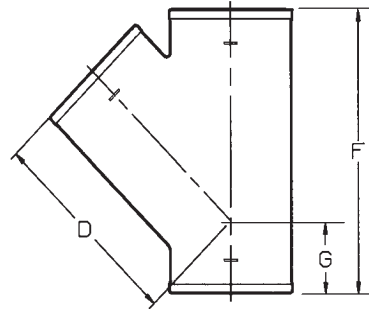
SAN TAP TEE (w/Tap on Side)

UPCode 670610	Size	E
008149	2x1 1/2x1 1/2	2 13/16
008163	3x1 1/2x1 1/2	3 5/16



TAP WYE

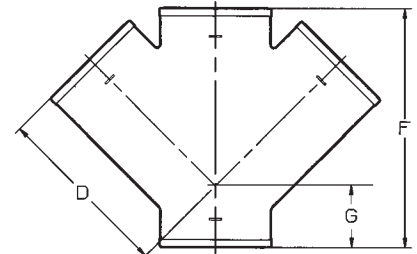
UPCode 670610	Size	D	G
008460	2x1 1/2	5 1/16	1 5/8
008477	2x2	5 1/16	2
008484	3x1 1/2	5 3/4	1 1/2
008491	3x2	5 13/16	1 1/2
008514	4x1 1/2	6 7/16	1 1/2
008521	4x2	6 1/2	1 1/2



WYE

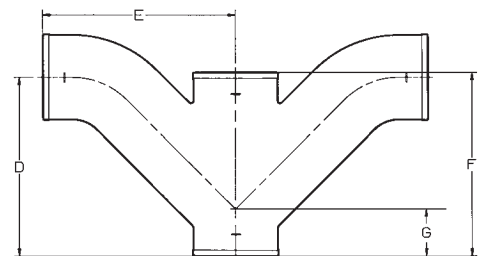
UPCode 670610	Size	D	F	G
008200	1 1/2	4	6	2
008217	2	4 5/8	6 5/8	2
383291	3x1 1/2	4 5/8	6 3/16	2
008224	3x2	5 5/16	6 5/8	1 1/2
008231	3	5 3/4	8	2 1/4
008248	4x2	6	6 5/8	1
008255	4x3	6 1/2	8	1 11/16
008262	4	7 1/16	9 1/2	2 7/16
008279	5x2	7 1/2	8 1/16	1 5/16
008286	5x3	8	9 11/16	1 11/16
008293	5x4	8 1/2	11 3/16	2 7/16
008309	5	9 1/2	12 5/8	3 3/8
008316	6x2	8 1/4	8 5/16	1 1/2
008323	6x3	8 3/4	9 3/4	1 1/4
008330	6x4	9 1/4	11 3/16	1 5/16
008347	6x5	10 1/4	12 1/2	2 7/16
008354	6	10 3/4	14 1/16	3 5/16
008361	8x2	9 3/8	8 1/2	7/16
008378	8x3	9 13/16	9 15/16	1/8
008385	8x4	10 3/8	11 7/16	1 5/16
008392	8x5	11 3/8	12 13/16	1 5/8
008408	8x6	11 13/16	14 3/16	2 5/16
008415	8	13 3/8	17 7/8	3 3/4
008422	10x4	11 11/16	12 5/8	3/4
008439	10x6	13 3/8	15 7/16	2 3/16
008446	10x8	14 11/16	18 3/8	3 5/8
008453	10	16 1/2	21 1/2	5 1/16
376736	12	19 3/4	25 1/2	5 3/4
376644	15	23 1/4	30	6 3/4

**NO-HUB ASA GROUP 022
TEES, WYE'S & COMBINATIONS**



DOUBLE WYE

UPCode 670610	Size	D	F	G
008538	2	4 5/8	6 5/8	2
008545	3x2	5 5/16	6 5/8	1 1/2
008552	3	5 3/4	8	2 1/4
008569	4x2	6	6 5/8	1 1/2
008576	4x3	6 1/2	8	1 11/16
008583	4	7 1/16	9 1/2	2 7/16
008590	5x4	8 1/2	11 3/16	2 7/16
008606	6x4	9 1/4	11 3/16	1 15/16
008613	6	10 3/4	14 1/16	3 5/16
274445	8x4	10 3/8	11 7/16	1 5/16
383093	8x6	11 13/16	14 3/16	2 5/16
008620	8	13 3/8	17 7/8	3



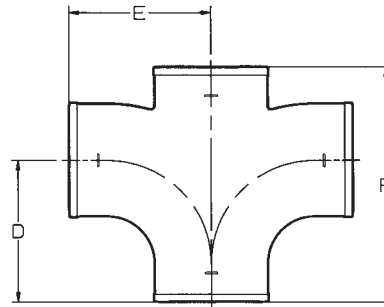
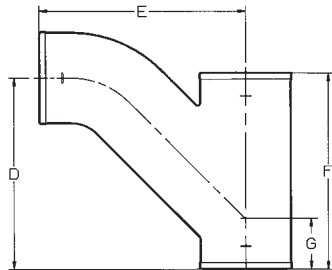
DOUBLE COMBINATION

UPCode 670610	Size	D	E	F	G
009009	2	5 3/8	6 1/8	6 5/8	2
009016	3x2	5 1/2	6 3/4	6 5/8	1 1/2
009023	3	7 5/16	8	8	2 1/4
009030	4x2	5 1/2	7 1/4	6 5/8	1 5/8
009047	4x3	7 1/4	8 1/2	8	1 11/16
009054	4	9 1/4	10	9 1/2	2 7/16



PIPE & COUPLING

**NO-HUB ASA GROUP 022
COMBINATIONS AND CROSSES**

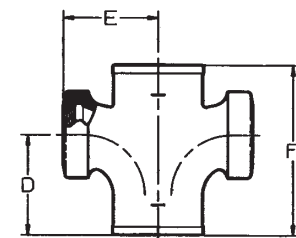


SAN CROSS

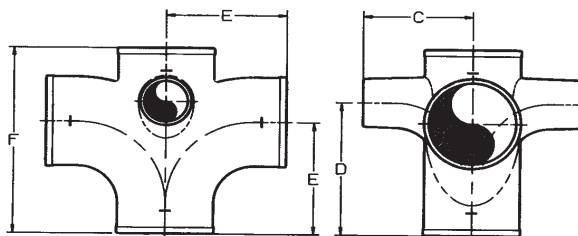
COMBINATION

UPCode 670610	Size	D	E	F	G
008767	1½	4¾	5⅞	6	2
008774	2x1½	5	5⅞	6	2
008781	2	5⅞	6⅝	6⅝	2
383062	3x1½	5½	6¾	6⅝	1½
008798	3x2	5½	6¾	6⅝	1½
008804	3	7⅝	8	8	2¼
008811	4x2	5½	7¼	6⅝	1⅝
008828	4x3	7¼	8½	8	1⅞
008835	4	9¼	10	9½	2⅞
008842	5x2	5⅝	7¾	8⅞	1⅞
008859	5x3	7¾	9	9⅞	1⅞
008866	5x4	9¾	10½	11⅞	2⅞
008873	5	11¾	12½	12⅝	3⅞
008880	6x2	6	8¼	8⅞	½
008897	6x3	7⅝	9½	9¾	1¼
008903	6x4	9¾	11	11⅞	1⅝
008910	6x5	11⅞	13	12½	2⅞
008927	6	13⅝	14⅞	14⅞	3⅝
008934	8x4	9⅞	11⅝	11⅞	⅞
008941	8x6	12	13⅞	13⅞	2¼
008958	8	14¾	15⅞	16⅞	3¾

UPCode 670610	Size	D	E	F
009061	1½	4¼	4¼	6½
009078	2	4½	4½	6⅞
009085	3x2	4½	5	6⅞
009092	3	5	5	8
009108	4x2	4½	5½	6⅞
009115	4x3	5	5½	8
009122	4	5½	5½	9⅞
009139	5x4	6	6	10⅞
009146	6x4	6	6½	10⅞
009153	6	7	7	12½
009160	8x4	6½	7½	11½
389866	8	8½	8½	15½



**SAN TAP CROSS
(No Baffle)**



**SAN CROSS
(w/2" 90° Opening Above Center)
New Orleans Code (No Baffle)**

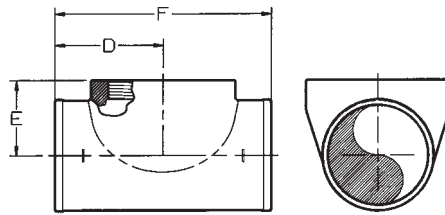
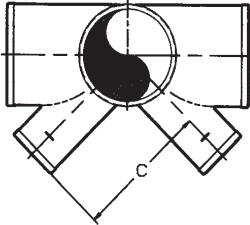
UPCode 670610	Size	D	E	F
009283	1½x1½	3¼	2⅞	5⅞
009290	2x1¼	3¼	2⅞	5⅞
009306	2x1½	3¼	2⅞	5⅞
009313	2x2	3¾	3⅞	6⅞
009337	3x1½	3¼	3⅞	5⅞
009344	3x2	3¾	3⅞	6⅞
009368	4x1½	3¼	3⅞	5⅞
009375	4x2	3¾	4⅞	6⅞
009405	5x1½	3¾	4⅞	6⅞
009382	6x1½	3¾	4⅞	6⅞

UPCode 670610	Size (Inlets)	C	D	E	F
009221	3 (2)	4½	6	5	8½
009238	4 (1)	5	6½	5½	9⅞
009245	4 (2)	5	6½	5½	9⅞



PIPE & COUPLING

**NO-HUB ASA GROUP 022
CROSSES, FERRULES, REDUCERS, TEES**

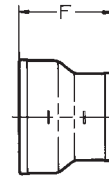


**TEST TEE
(Less Plug)**

UPCode 670610	Size-IPE	F	D	
009429	2-2	2	6 ³ / ₈	3 ³ / ₁₆
009436	3-3	2 ¹¹ / ₁₆	7 ³ / ₄	3 ⁷ / ₈
009443	4-4	3	8 ⁷ / ₈	4 ⁷ / ₁₆
009450	5-5	4 ¹ / ₂	11 ¹ / ₂	5 ³ / ₄
009467	6-6	5	12 ¹ / ₂	6 ¹ / ₄
009474	8-8	6	15 ¹ / ₄	7 ⁵ / ₈
381501	10-10	6 ¹ / ₂	20	10

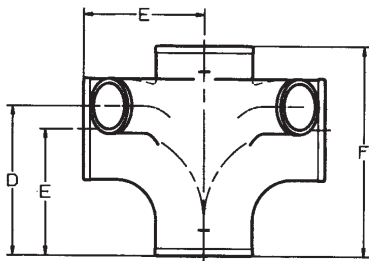
**TEST TEE
(w/ Type A Plug)**

UPCode 670610	Size-IPE	F	D	
011736	2-2	2	6 ³ / ₈	3 ³ / ₁₆
011743	3-3	2 ¹¹ / ₁₆	7 ³ / ₄	3 ⁷ / ₈
011750	4-4	3	8 ⁷ / ₈	4 ⁷ / ₁₆
011767	5-5	4 ¹ / ₂	11 ¹ / ₂	5 ³ / ₄
011774	6-6	5	12 ¹ / ₂	6 ¹ / ₄
011781	8-8	6	15 ¹ / ₄	7 ⁵ / ₈



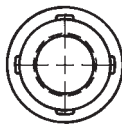
SHORT REDUCER

UPCode 670610	Size	F
009665	2x1 ¹ / ₂	3 ⁵ / ₈
382607	3x1 ¹ / ₂	3 ⁵ / ₈
009672	3x2	3 ⁵ / ₈
009689	4x2	3 ⁵ / ₈
009696	4x3	3 ⁵ / ₈
383314	5x2	4
009702	5x3	4
009719	5x4	4
009726	6x2	4
009733	6x3	4
009740	6x4	4
009757	6x5	4 ¹ / ₂
009764	8x2	4 ¹ / ₂
009771	8x3	4 ¹ / ₂
009788	8x4	4 ¹ / ₂
009795	8x5	5
009801	8x6	5
009818	10x4	5 ¹ / ₂
009825	10x6	6
009832	10x8	6
377559	12x4	6 ¹ / ₂
376507	12x6	6 ¹ / ₂
376514	12x8	7
376521	12x10	7 ¹ / ₂
377566	15x4	7
376750	15x6	7
376538	15x8	7
376545	15x10	7 ¹ / ₂
376552	15x12	7 ³ / ₄



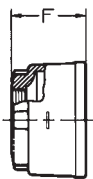
**SAN CROSS
(with two 2" 45° San Openings-
Same Side)
New Orleans Code (No Baffle)**

UPCode 70610	Size	C	D	E	F
009252	3	5 ³ / ₈	6	5	8
009269	4	6 ¹ / ₈	6	5 ¹ / ₂	9 ¹ / ₈



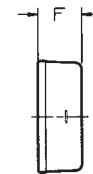
**FERRULE
Less Plug**

UPCode 671610	Size-IPF	F
009979	2-1 ¹ / ₂	1 ³ / ₄
009986	3-2 ¹ / ₂	1 ³ / ₄
009993	4-3 ¹ / ₂	1 ³ / ₄
010005	5-4	3 ³ / ₈
010012	6-5	3 ³ / ₃₂
010029	8-6	3 ³ / ₃₂



**FERRULE
w/ Type A Plug**

UPCode 671610	Size	F
012108	2x1 ¹ / ₂	1 ³ / ₄
012115	3x2 ¹ / ₂	1 ³ / ₄
012122	4x3 ¹ / ₂	1 ³ / ₄
012139	5x4	3 ³ / ₈
012146	6x5	3 ³ / ₃₂
012153	8x6	3 ³ / ₃₂



BLIND PLUG

UPCode 670610	Size	F
010036	1 ¹ / ₂	1 ³ / ₄
010043	2	1 ³ / ₄
010050	3	1 ³ / ₄
010067	4	1 ³ / ₄
010074	5	1 ³ / ₄
010081	6	1 ³ / ₄
010098	8	2 ¹ / ₄
010104	10	3
377535	12	3 ¹ / ₂
377542	15	3 ¹ / ₂

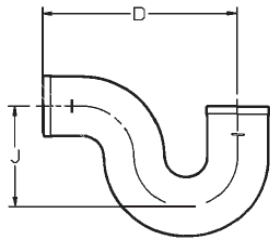
INCREASER-REDUCER



UPCode 671610	Size
449447	2x3
009658	3x4

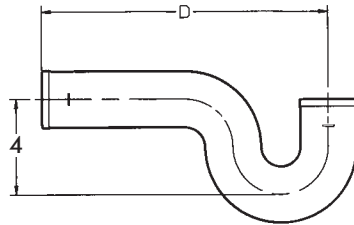


PIPE & COUPLING



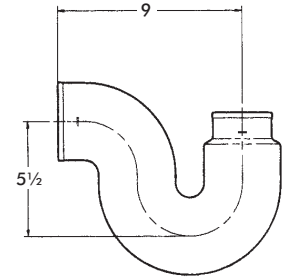
P-TRAP

UPCode 670610	Size	D	J
010111	1½	6¾	3½
010128	2	7½	4
010135	3	9	5½
010142	4	10½	6½
010159	6	14	8½



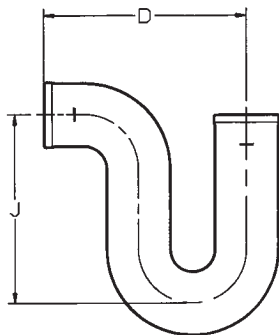
LONG P-TRAP

UPCode 670610	Size	D	J
010166	2x12	12	4
010173	2x14	14	4
010180	2x16	16	4
010197	2x18	18	4



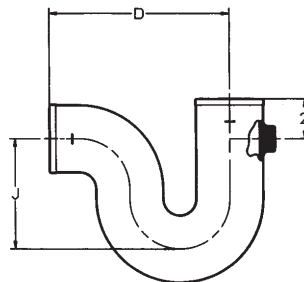
REDUCING P-TRAP

UPCode 670610	Size
011231	3x2



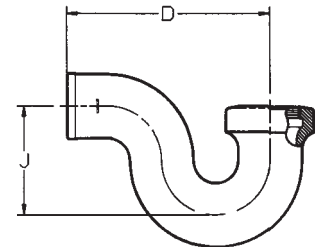
DEEP SEAL P-TRAP

UPCode 670610	Size	D	J
010258	2	7½	7
010265	3	9	7
010272	4	10½	8



**P-TRAP
w/½" Primer Tap**

UPCode 670610	Size	D	J
011200	2	7½	4
011217	3	9	5½
011224	4	10½	6½

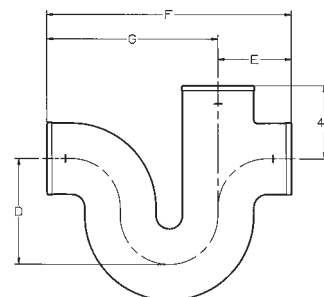
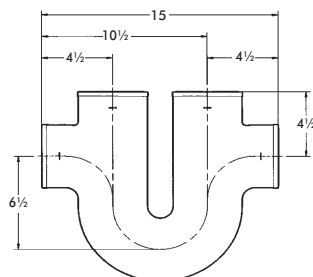


TAP P-TRAP

UPCode 670610	Size	D	J
010340	1½	6¾	3½
010364	2x1½	7½	4
010371	2	7½	4

**RUNNING TRAP
w/TWO 4" VENTS**

UPCode 670610	Size
010296	4



RUNNING TRAP w/4" SINGLE VENT

UPCode 670610	Size	D	E	F	G
010289	4	6½	4½	15	10½

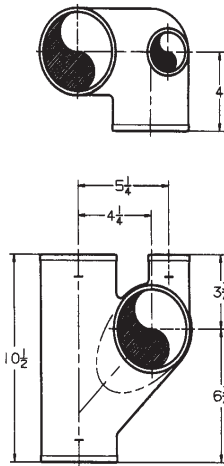


PIPE & COUPLING

**NO-HUB ASA Group 022
CLOSET TEES & CROSSES**

***57-4" Stack, 4" Closet Waste, 2" Vent**
***58-4" Stack, 4" Closet Waste, 2" Waste, 2" Vent**

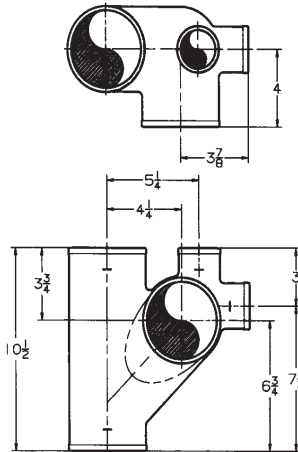
***399-4" Stack, two 4" Closet
Waste, two 2" Waste, 3" Vent**



***9-457 VENTED CLOSET TEE
w/2" Top Vent**

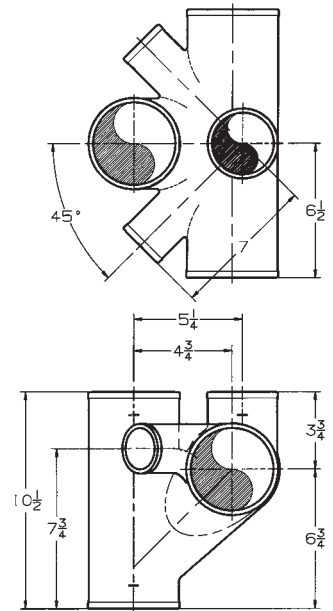
UPCode 670610	Size
010470	4x4x2x4(R)
010487	4x4x2x4(L)

**Right Hand
Illustrated**



**9-458 VENTED CLOSET TEE
w/2" Top Vent
and 2" Side Openings**

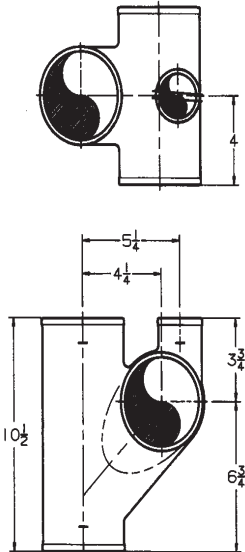
UPCode 670610	Size
010494	4x4x2x2x4(R)
010500	4x4x2x2x4(L)



***9-399 VENTED
CLOSET CROSS
(No Baffle)**

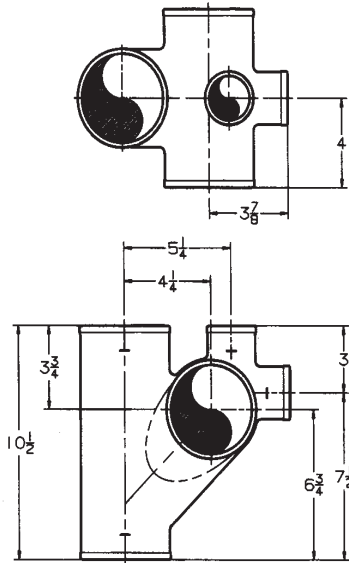
UPCode 670610	Size
010456	*4x3x2x4

***463-4" Stack, two 4"Waste, 2" Vent**
***464-4" Stack, two 4" Waste, 2" Waste, 2" Vent**



***9-463 VENTED CLOSET
CROSS
w/2" Top Vent (With Baffle)**

UPCode 670610	Size
010517	4x4x2x4x4



***9-464 VENTED CLOSET CROSS
w/2" Top Vent and 2" Side Opening
(No Baffle)**

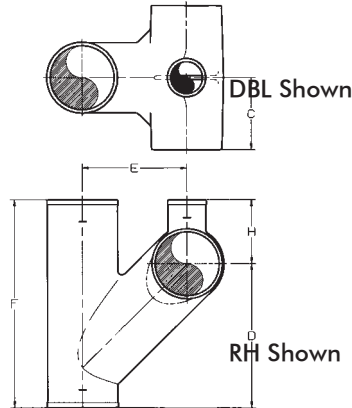
UPCode 670610	Size
010531	4x4x2x2x4x4

*** NOTE:
PRODUCTS ON
THIS PAGE ARE
NOT LISTED BY
I.A.P.M.O.**



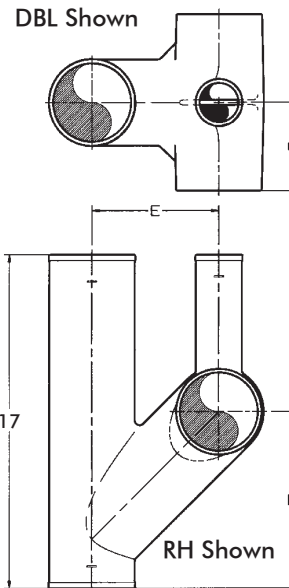
PIPE & COUPLING

**NO-HUB ASA GROUP 022
FIGURE FITTINGS**



**IAPMO FIGURE SIX DOUBLE, LR, RH
(Full Baffle)**

UPCode 670610	Size	C	D	E	F	H
010791	3x2 (R)	4 ¹ / ₈	7 ⁷ / ₁₆	5 ¹ / ₁₆	11	3 ⁷ / ₁₆
010807	3x2 (L)	4 ¹ / ₈	7 ⁷ / ₁₆	5 ¹ / ₁₆	11	3 ⁷ / ₁₆
010838	3x2 (Dbl)	4 ¹ / ₈	7 ⁷ / ₁₆	5 ¹ / ₁₆	11	3 ⁷ / ₁₆
010814	4x2 (L)	4 ¹ / ₂	9	6 ¹ / ₂	13	4
010821	4x2 (R)	4 ¹ / ₂	9	6 ¹ / ₂	13	4
010852	4x2 (Dbl.)	4 ¹ / ₂	9	6 ¹ / ₂	13	4

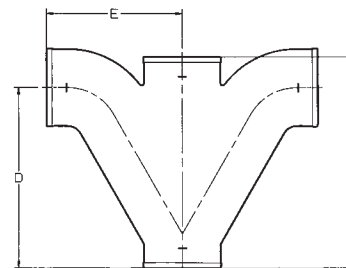
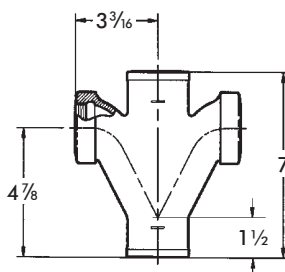
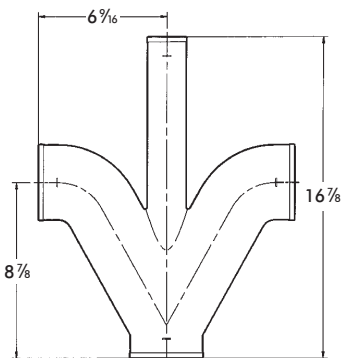


**FIGURE SIX EXTENDED
RIGHT/LEFT & DOUBLE
(Full Baffle)**

UPCode 670610	Size	C	D	E
010869	3x2 (R)	4 ¹ / ₈	7 ⁷ / ₁₆	5 ¹ / ₁₆
382645	3x2 (L)	4 ¹ / ₈	7 ⁷ / ₁₆	5 ¹ / ₁₆
010883	4x2 (R)	4 ¹ / ₂	9	6 ¹ / ₂
010876	4x2 (L)	4 ¹ / ₂	9	6 ¹ / ₂
010890	4x2 (Dbl)	4 ¹ / ₂	9	6 ¹ / ₂

FIGURE FIVE EXTENDED

UPCode 670610	Size
010777	3x2x3



IAPMO FIGURE FIVE

UPCode 670610	Size	D	E	F
010722	2	6 ¹ / ₂	5	8
010739	3x2x3x3	8 ⁷ / ₈	6 ⁹ / ₁₆	9 ¹ / ₄
010746	3	8 ⁷ / ₈	6 ⁹ / ₁₆	10 ¹ / ₈
010753	4x2x4x4	10 ¹ / ₄	7 ³ / ₄	11 ¹ / ₂
010760	4	10 ¹ / ₄	7 ³ / ₄	12

**IAPMO FIGURE ONE w/
NO-HUB TOP**

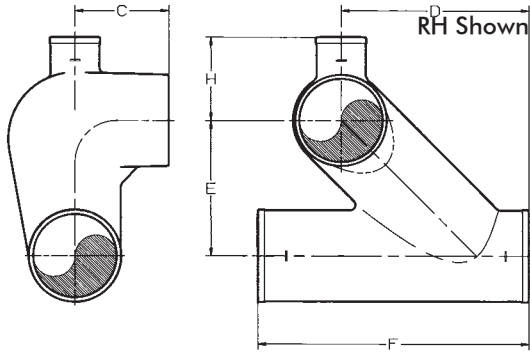
UPCode 670610	Size
010661	2x2x1 ¹ / ₂ x1 ¹ / ₂



PIPE & COUPLING

NO-HUB ASA Group 022 FIGURE FITTINGS & ADAPTERS

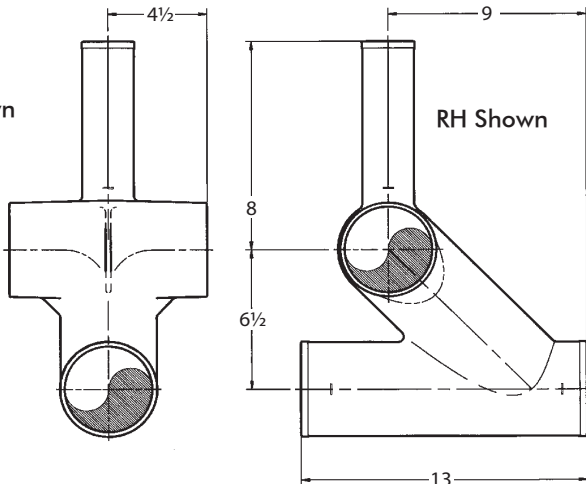
RH Shown



**IAPMO FIGURE EIGHT LH, RH, DBL.
w/Full Baffle (RH Shown)**

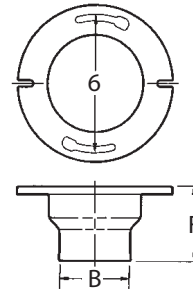
UPCode 670610	Size	C	D	E	F	H
010906	3x2 (R)	4 ¹ / ₈	7 ⁷ / ₁₆	5 ¹ / ₁₆	11	3 ⁷ / ₁₆
010913	3x2 (L)	4 ¹ / ₈	7 ⁷ / ₁₆	5 ¹ / ₁₆	11	3 ⁷ / ₁₆
010944	3x2 (Dbl)	4 ¹ / ₈	7 ⁷ / ₁₆	5 ¹ / ₁₆	11	3 ⁷ / ₁₆
010920	4x2 (R)	4 ¹ / ₂	9	6 ¹ / ₂	13	4
010937	4x2 (L)	4 ¹ / ₂	9	6 ¹ / ₂	13	4

DBL Shown



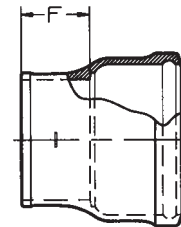
**FIGURE EIGHT EXTENDED
LEFT/RIGHT & DOUBLE
(Full Baffle)**

UPCode 670610	Size
010975	4x2 (R)
010982	4x2 (L)
010999	4x2 (Dbl)



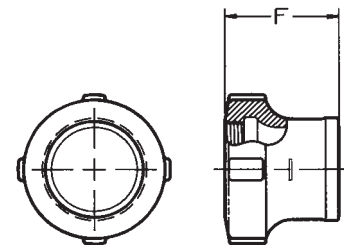
**9-480 CLOSET FLANGE
(Slot & Notch)**

UPCode 670610	Size	B	F
010593	4x3x3 ¹ / ₂	3 ⁵ / ₁₆	3 ¹ / ₂
010609	4x4x3 ¹ / ₂	4 ⁵ / ₁₆	3 ¹ / ₂
010616	4x4x4	4 ⁵ / ₁₆	4
383338	4x3x8	3 ⁵ / ₁₆	8
383345	4x4x8	4 ⁵ / ₁₆	8



**HUB ADAPTER
No-Hub by SV Ty-Seal®**

UPCode 670610	Size	F
009849	2	2
009856	3	2
009863	4	2 ¹ / ₄



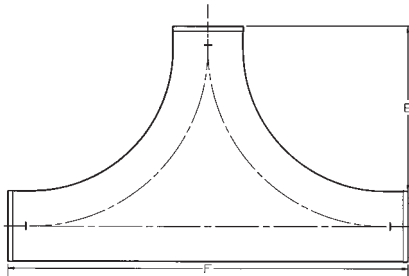
TAP ADAPTER

UPCode 670610	Size x IPS Tap	F
009887	1 ¹ / ₂ x1 ¹ / ₂	2 ⁵ / ₈
009900	2x1 ¹ / ₂	2 ³ / ₁₆
009917	2x2	2 ⁵ / ₈
009948	3x2	2 ³ / ₁₆



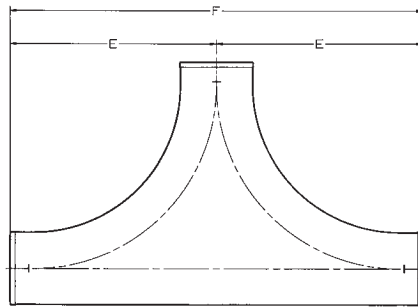
PIPE & COUPLING

**NO-HUB ASA Group 022
SPECIALTIES**



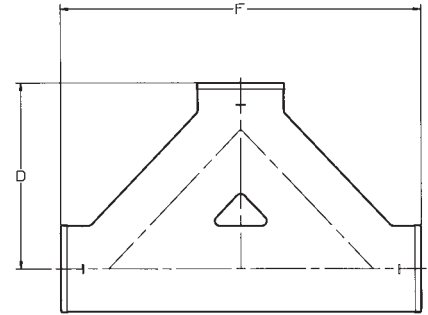
TWIN CLEANOUT

UPCode 670610	Size	E	F
010623	4	9½	18¾



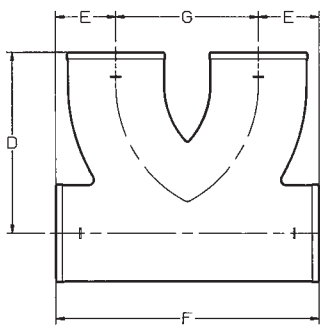
**TWO WAY CLEANOUT
East Bay Code**

UPCode 670610	Size	E	F
010630	4	12½	25



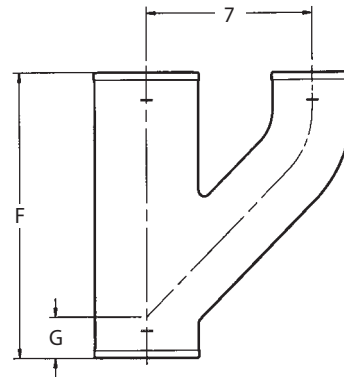
TWO WAY BAFFLE CLEANOUT

UPCode 670610	Size	D	F
011163	3x3x4	9	15
011170	4x3x4	9½	19½
011187	4x4x4	9½	18¾



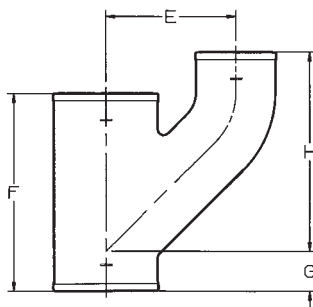
TWO WAY CLEANOUT

UPCode 670610	Size	D	E	F	G
010647	3	7¼	2¼	10	5¼
010654	4	8¼	2¾	12	6½



**UPRIGHT WYE
Wide Center-Florida Special**

UPCode 670610	Size	F	G
011255	3	12¼	2¼
011293	4x2	11 11/16	1 11/16
011279	4	12 5/16	2 7/16



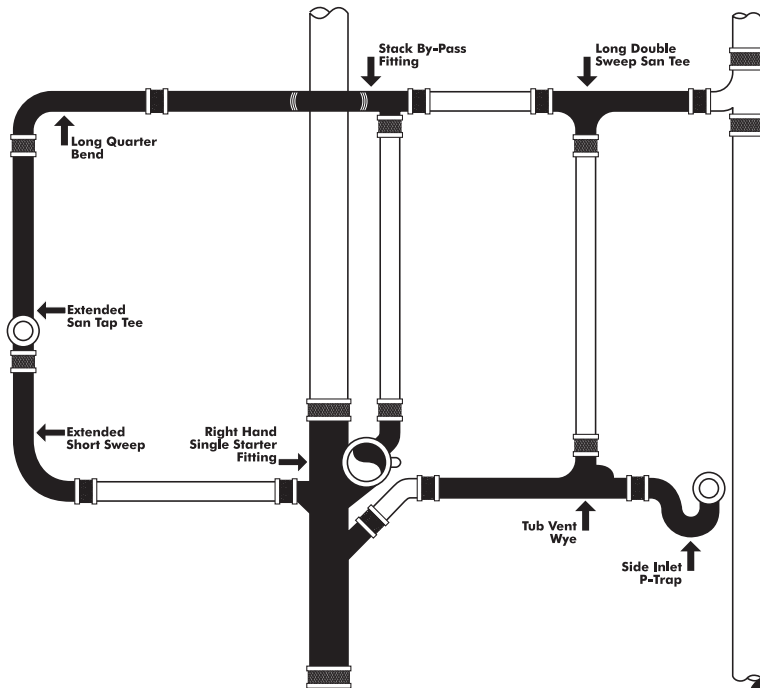
UPRIGHT WYE

UPCode 670610	Size	E	F	G	H
008668	2	5½	7	2	8¼
008675	3x2	5½	7	1½	8¾
008682	3	5½	8¾	2¾	8 7/16
008699	4x2	5½	7	1	8¼
008705	4x3	5½	8¾	1 11/16	8 7/16
008712	4	6	9¾	2 7/16	9 9/16
008729	5x2	6¾	8	2	9
008750	5	7 1/8	12 11/16	2¾	11 7/16



PIPE & COUPLING

RUFWALL NO-HUB SPECIAL FITTINGS



The **by-pass fitting** permits in-line piping to reduce width of the chase, and individual venting of the lavatories.

Tub wye fittings accept waste from two tubs and provide a common vent. They save space, materials and the labor to install duplicate systems.

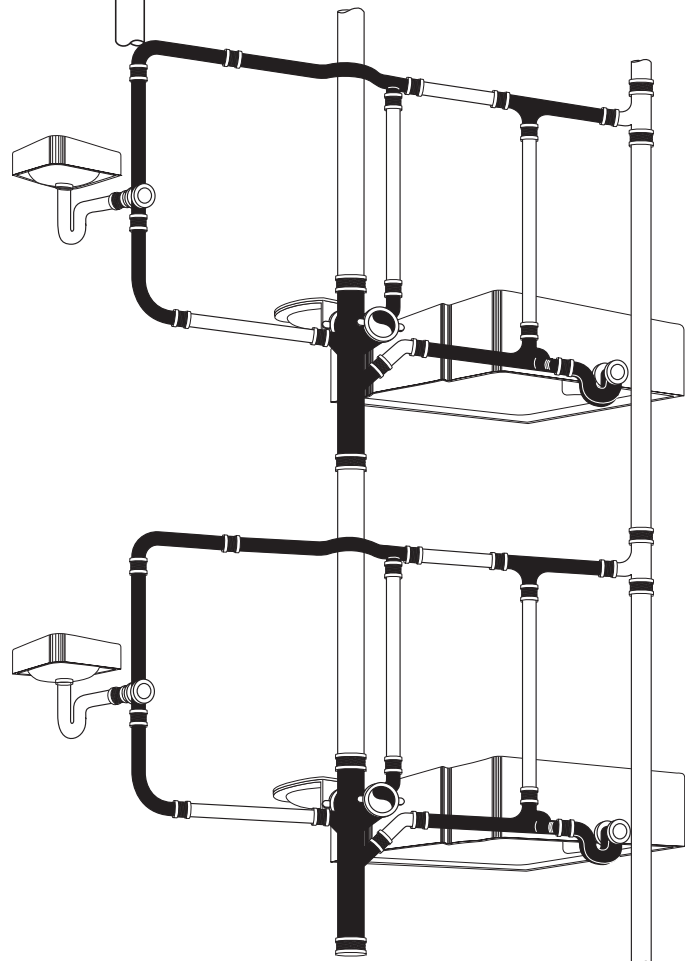
NOTE:

Rufwall fittings are sold and shipped as normal cataloged soil products.

This publication contains the information needed to place orders with your customer service representative.

RufWall Savings with Back Outlet Fixtures (Compared with Conventional Piping)

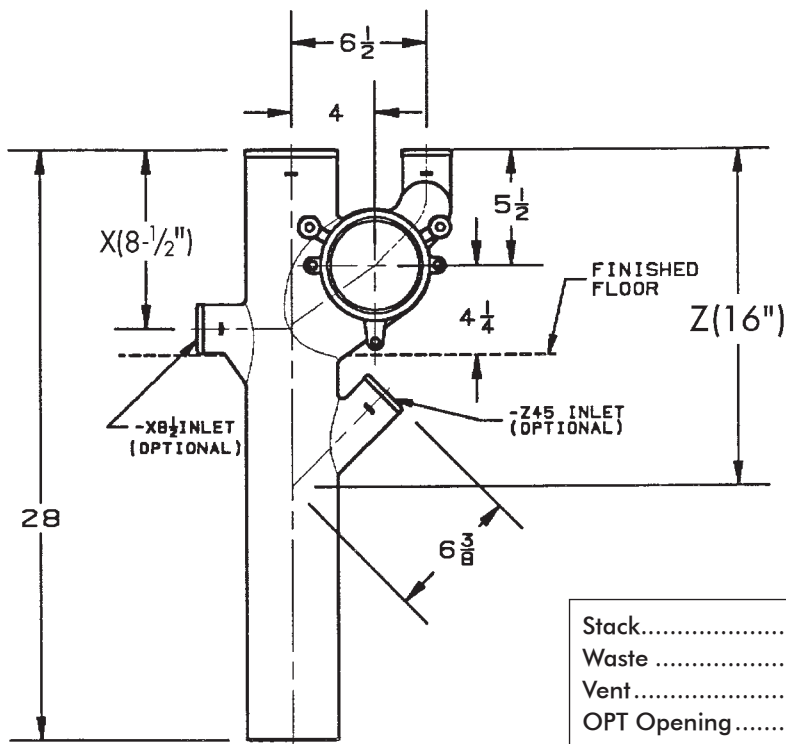
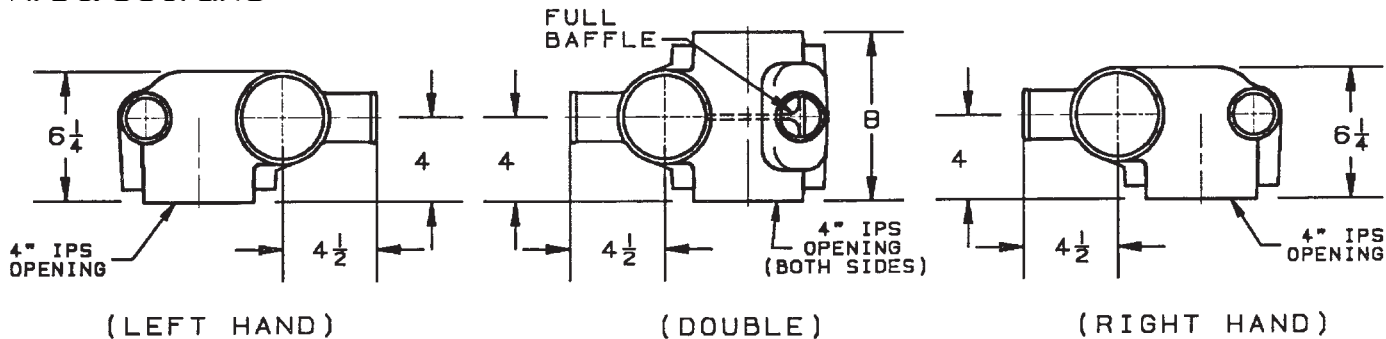
- Fewer floor penetrations
- Eliminates cost of dropped ceilings to conceal pipe
- No scaffolding needed
- One-man installation
- Waist-high venting
- Water closet easier to install...faster





PIPE & COUPLING

THREADED VERTICAL STARTER FITTINGS



Stack.....	4"
Waste	4"
Vent.....	2"
OPT Opening.....	2"

UPCode 670610	(Left Hand) Description
376101	9-371L (Plain)
376125	9-371L X 8 1/2
376149	9-371L-Z45°
376163	9-371L-X8 1/2 -Z45°
018360	9-371L-X8 1/2 -Z23 1/2°

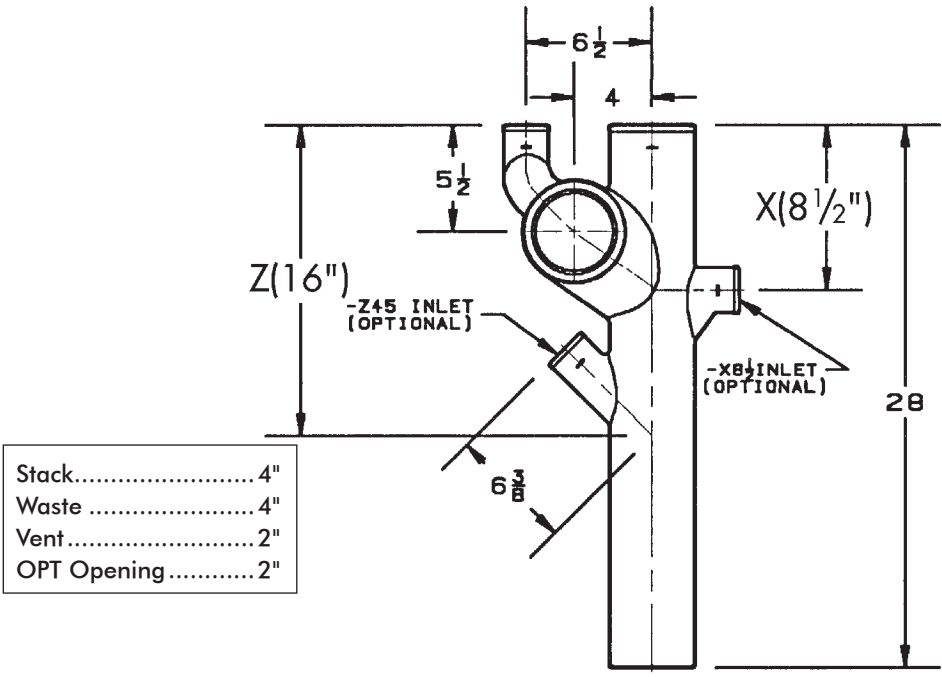
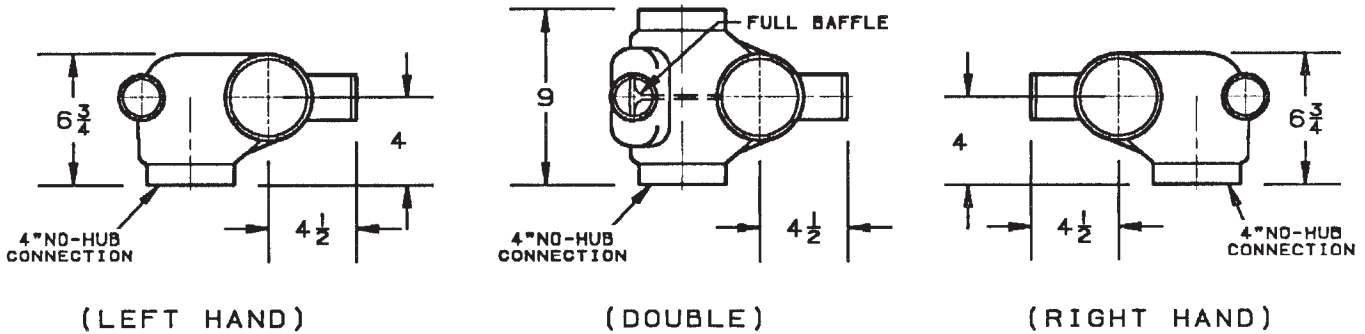
UPCode 670610	(Right Hand) Description
376095	9-371R (Plain)
376118	9-371R X 8 1/2
376132	9-371R-Z45°
376156	9-371R-X8 1/2 -Z45°
018353	9-371R-X8 1/2 -Z23 1/2°

UPCode 670610	(Double) Description
376071	9-371D (Plain)
376064	9-371D X 8 1/2
376088	9-371D-Z45°
376057	9-371D-X8 1/2 -Z45°
018186	9-371D-X8 1/2 -Z23 1/2°



PIPE & COUPLING

No-Hub Vertical Starter Fittings



Stack.....	4"
Waste	4"
Vent	2"
OPT Opening	2"

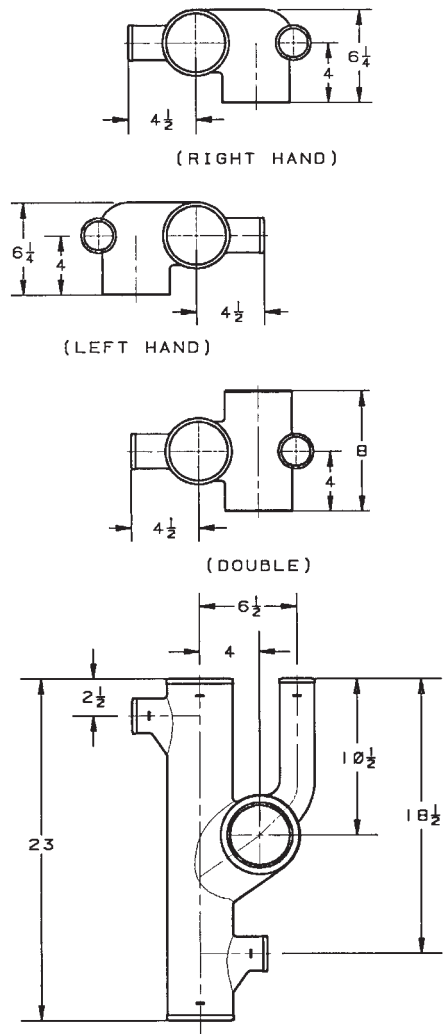
UPCode 670610	(Left Hand) Description	UPCode 670610	(Right Hand) Description
021339	9-471NHL (Plain)	021346	9-471NHR (Plain)
021353	9-471NHL X 8 1/2	021360	9-471NHR X 8 1/2
021384	9-471NHL-Z45°	021391	9-471NHR-Z45°
021407	9-471NHL-X 8 1/2 -Z45°	021414	9-471NHR-X 8 1/2 -Z45°

UPCode 670610	(Double) Description
021292	9-471NHD (Plain)
021308	9-471NHD X 8 1/2
021322	9-471NHD-Z45°
297598	9-471NHD-X 8 1/2 -Z45°



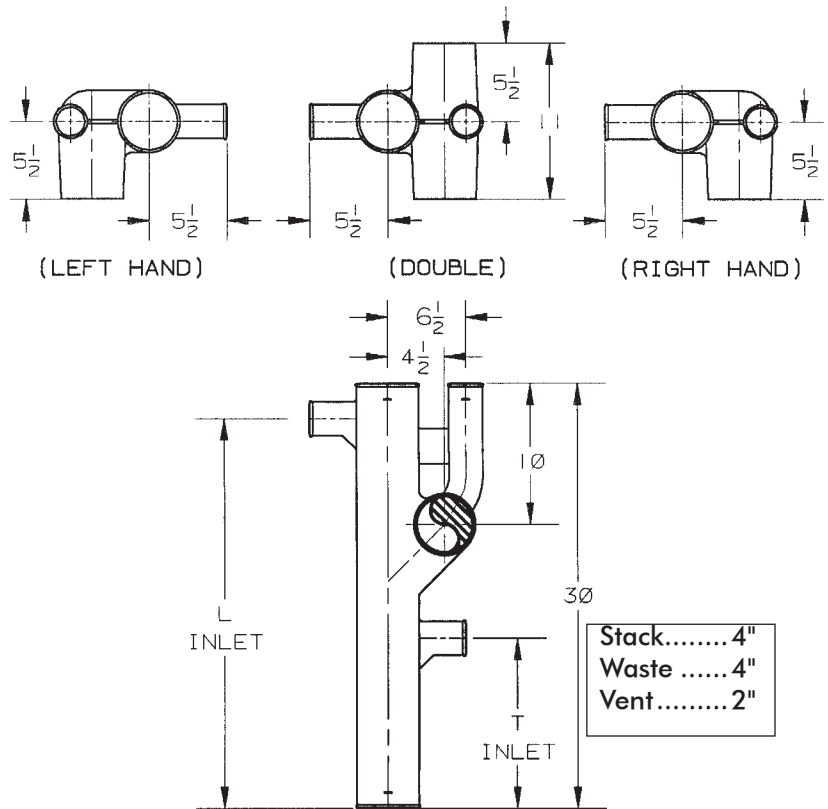
PIPE & COUPLING

**NEW YORK LONG BARREL
NO-HUB VERTICAL STACK STARTER FITTINGS
(NO CONCEALED BAFFLE ON DOUBLES)**



**New York Vertical
Stack Starter Fittings**

UPCode 670610	Description
019763	9-247-LH
019787	9-247-D
019770	9-247-RH



**New York Vertical
Stack Starter Fittings (Long Barrel)**

UPCode 670610	(Left Hand) Description	UPCode 670610	(Right Hand) Description
019527	SSS-19-30L, (Plain)	019510	SSS-19-30R, (Plain)
390381	SSS-19-30L, T4	390329	SSS-19-30R, T4
390398	SSS-19-30L, T6 1/2	390336	SSS-19-30R, T6 1/2
390404	SSS-19-30L, L6 1/2	390343	SSS-19-30R, L6 1/2
390411	SSS-19-30L, L6 1/2, T6 1/2	390350	SSS-19-30R, L6 1/2, T6 1/2
019497	SSS-19-30L, L26 1/2	019480	SSS-19-30R, L26 1/2
019572	SSS-19-30L, L12	019602	SSS-19-30R, L12
019466	SSS-19-30L, T12	019459	SSS-19-30R, T12
390428	SSS-19-30L, L26 1/2, T4	019367	SSS-19-30R, L26 1/2, T4
390435	SSS-19-30L, L26 1/2, T6 1/2	019367	SSS-19-30R, L26 1/2, T6 1/2
019374	SSS-19-30L, L26 1/2, T12	019367	SSS-19-30R, L26 1/2, T12

UPCode 670610	(Double) Description
019534	SSS-19-30D, (Plain)
390268	SSS-19-30D, T4
390275	SSS-19-30D, T6 1/2
390282	SSS-19-30D, L6 1/2
019589	SSS-19-30D, L12
019473	SSS-19-30D, T12
390312	SSS-19-30D, L26 1/2, T6
019381	SSS-19-30D, L26 1/2, T12

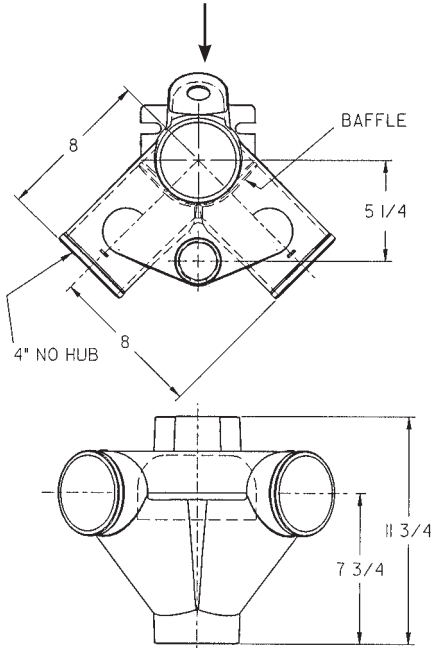


PIPE & COUPLING

DOUBLE VERTICAL 90° STARTER FITTINGS

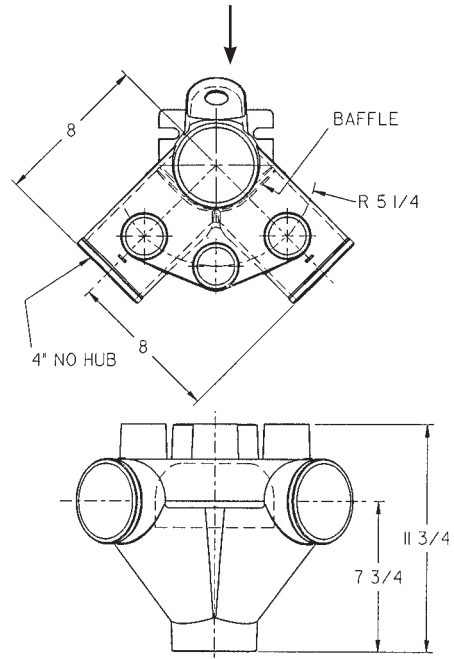
NOTE: FULLY BAFFLED

Auxiliary Tapping When Required Use Suffix "A"



UPCode	Description
670610	
018667	9-502 (Plain)
018650	9-502-A

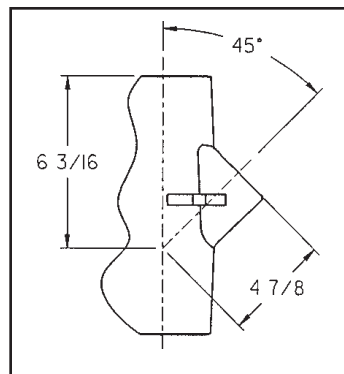
Auxiliary Tapping When Required Use Suffix "A"



UPCode	Description
670610	
018698	9-505 (Plain)
376026	9-505-A

Stack.....	4"
Waste	4"
Vent	2"
OPT Tap "A".....	2"

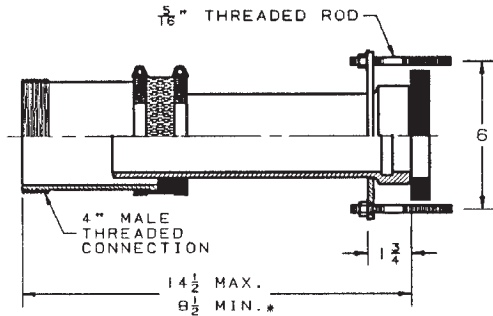
TAPPING DETAIL AUXILIARY BOSS



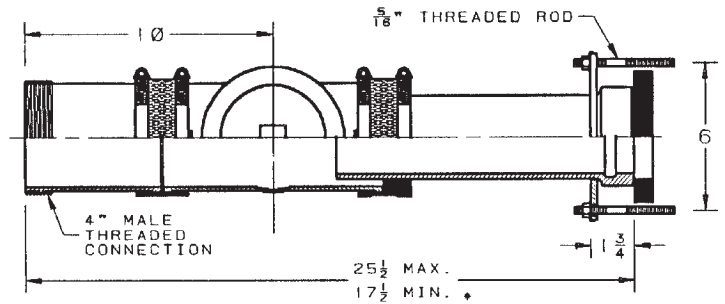


PIPE & COUPLING

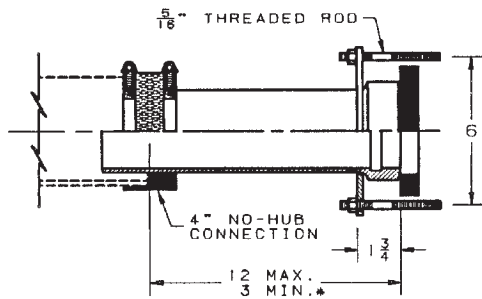
Waste Connections, PINNED PLUGS



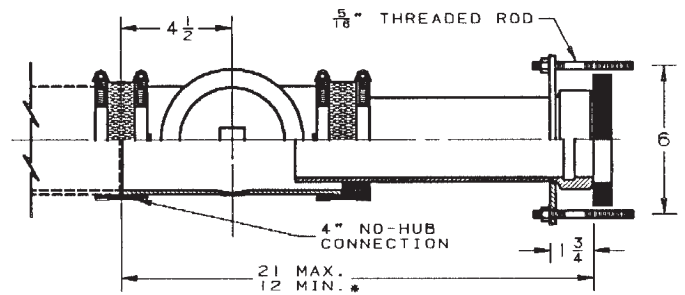
9-300-T
Threaded Connection



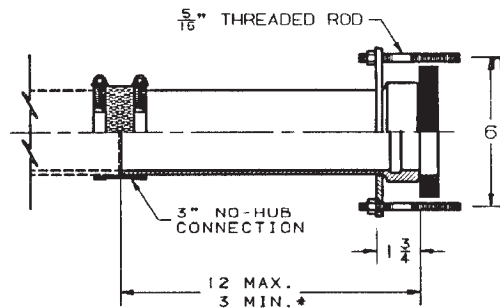
9-300-C4"
Threaded Connection with Cleanout



9-300-NH-4"
No-Hub Connection

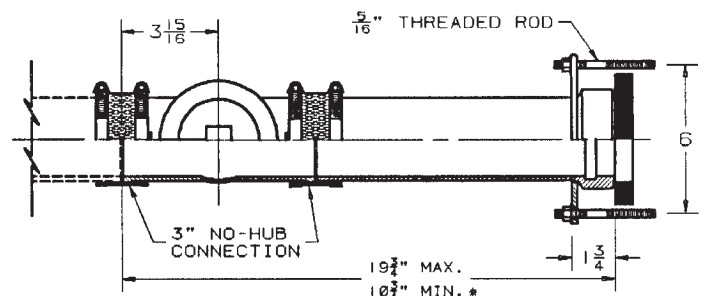


9-300-CN-4"
No-Hub Connection with Cleanout



9-300-NH-3"
No-Hub Connection

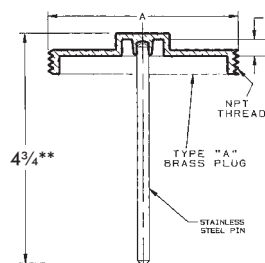
* Length under max may require field cut



9-300-CN-3"
No-Hub Connection with Cleanout

UPCode 670610	Description
019824	9-300-T
019848	9-300-C-4"
019817	9-300-NH-4"
376040	9-300-CN-4"
019855	9-300-NH-3"
019831	9-300-CN-3"

**Pinned
Cleanout
Plug**



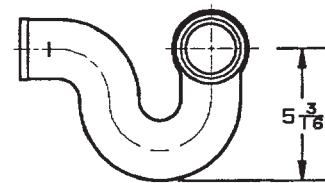
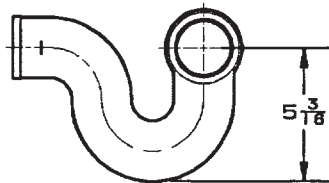
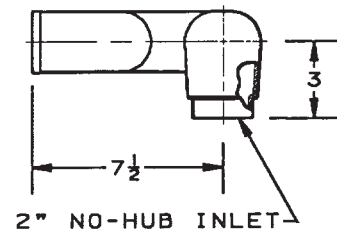
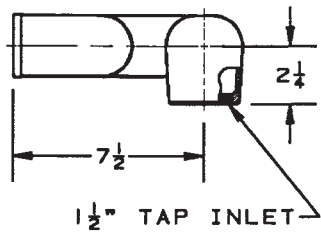
UPCode 670610	Size A
243090	2 1/2"
300229	3"
244196	3 1/2"
243106	4"

** Pin length will require field cut when used with less than 4" waterway.



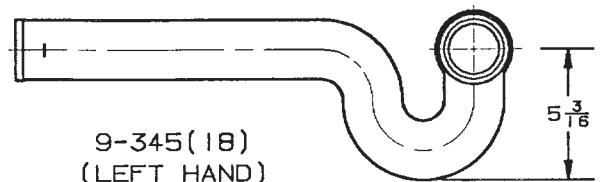
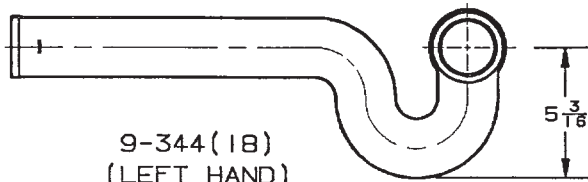
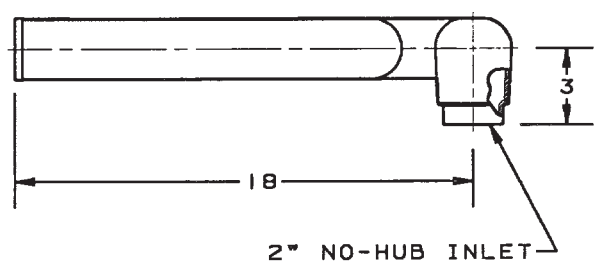
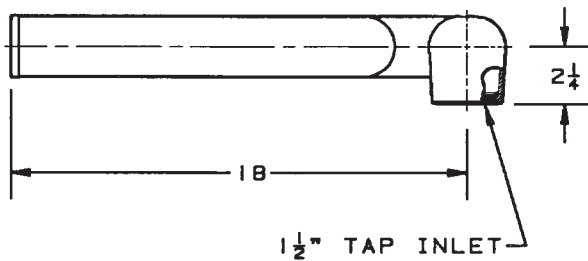
PIPE & COUPLING

Threaded or No-Hub Side Inlet P-Traps, Transition Couplings



9-344
(LEFT HAND)

9-345
(LEFT HAND)



9-344 (18)
(LEFT HAND)

9-345 (18)
(LEFT HAND)

UPCode 670610	Description
019220	9-344-LH
019237	9-344-RH
019244	9-344-LH (18)
019251	9-344-RH (18)

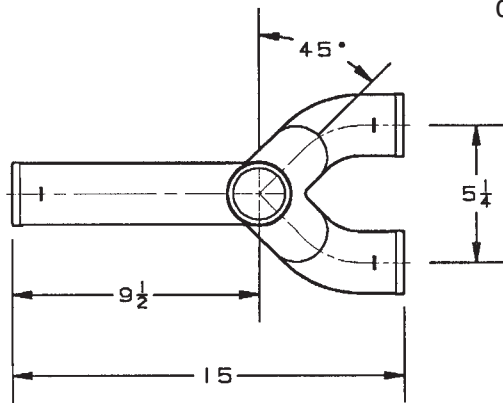
UPCode 670610	Description
019268	9-345-LH
019275	9-345-RH
019282	9-345-LH (18)
019299	9-345-RH (18)



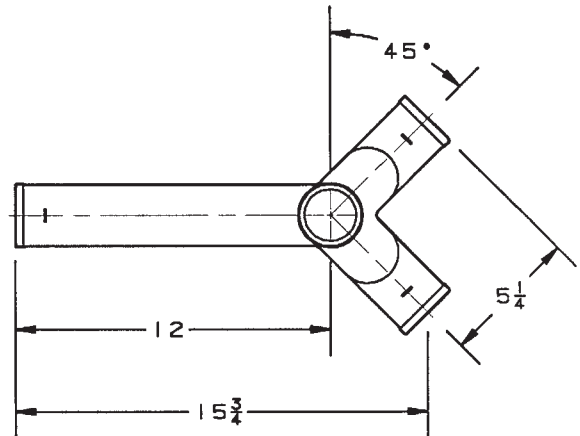
PIPE & COUPLING

No-Hub Vented Tub Wyes

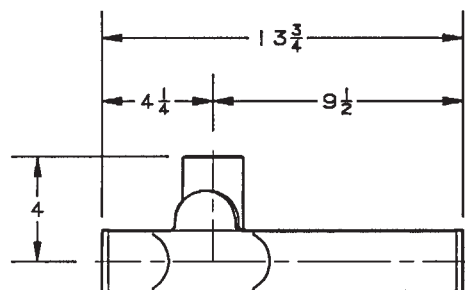
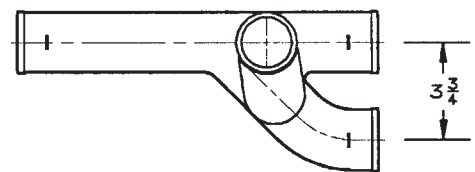
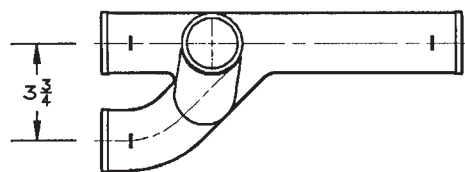
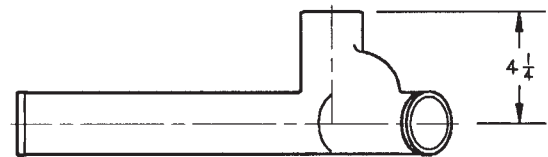
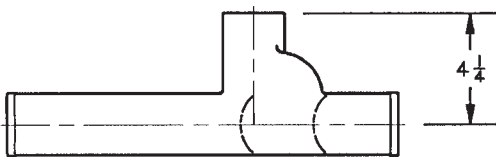
UPCode	Description
670610	
018155	9-474
018162	9-484
018131	9-494-LH
018148	9-494-RH



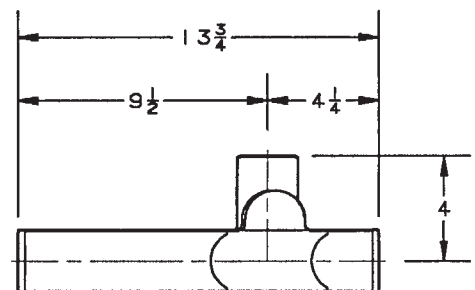
9-474



9-484



9-494-LH



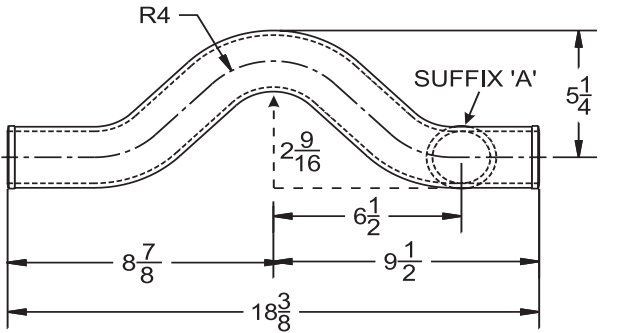
9-494-RH



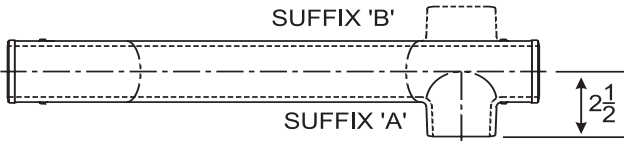
PIPE & COUPLING

SPECIAL FITTINGS

By-Pass Fitting



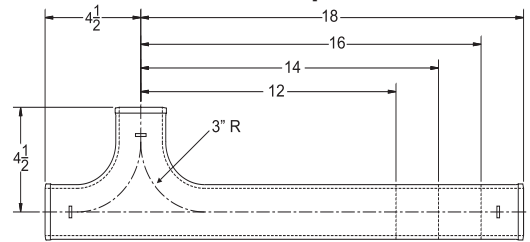
To Designate Suffix:
Place fitting with bend
up and look into short
end. (See arrow)



9-473

UPCode 670610	Description
018735	9-473
018742	9-473-A
018759	9-473-B
018766	9-473-A/B

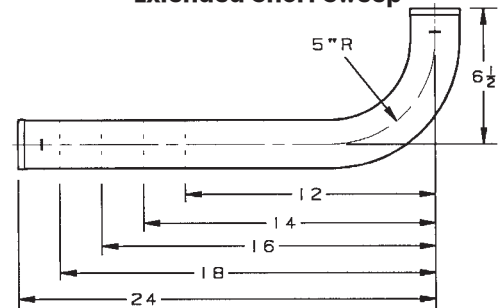
Double Sweep San Tee



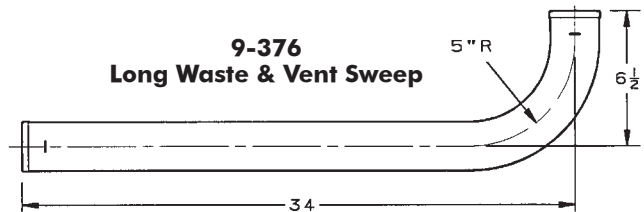
9-301

UPCode 670610	Description
019114	9-301(2x12)
019121	9-301(2x14)
019138	9-301(2x16)
019145	9-301(2x18)
062868	9-301(2x24)

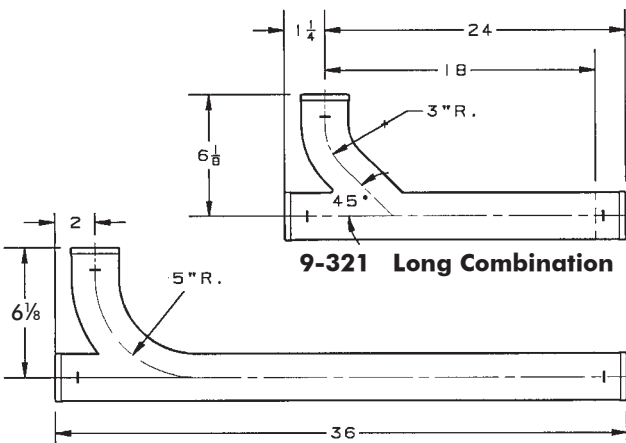
**9-291
Extended Short Sweep**



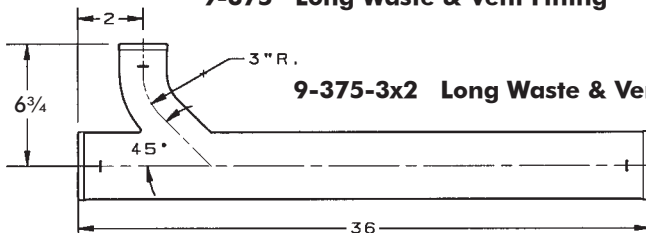
**9-376
Long Waste & Vent Sweep**



9-321 Long Combination



9-375 Long Waste & Vent Fitting



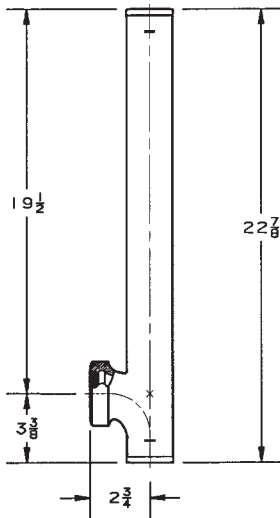
9-375-3x2 Long Waste & Vent Fitting

UPCode 670610	Description
019077	9-291 (2x12)
019084	9-291 (2x14)
019091	9-291 (2x16)
019107	9-291 (2x18)
019060	9-291 (2x24)
020431	9-376 (2x34)
019152	9-321 (2x18)
019053	9-321 (2x24)
020424	9-375 (2x36)
020417	9-375 (3x2x36)

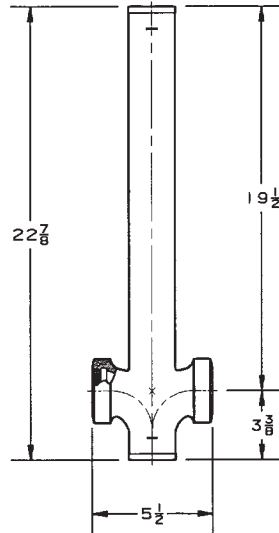


PIPE & COUPLING

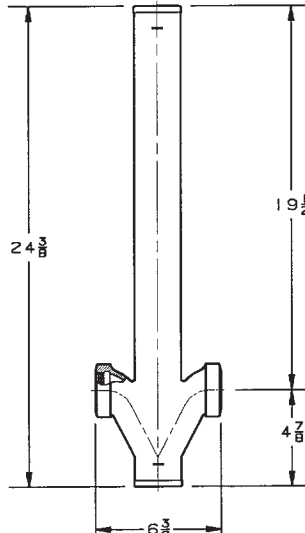
SPECIAL FITTINGS AND FMBO HARDWARE



**San Tap Tee
9-391**



**San Tap Cross
9-396**

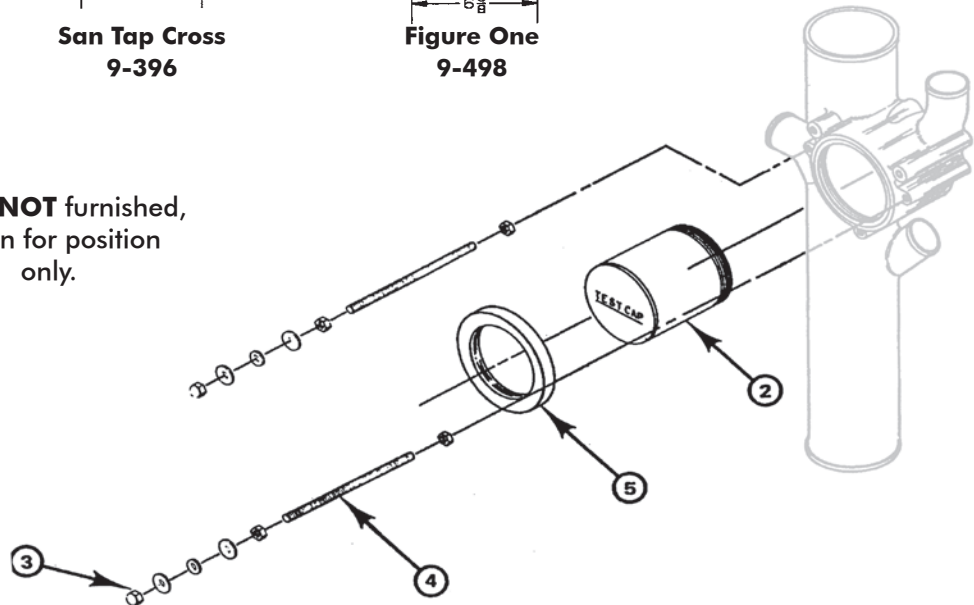


**Figure One
9-498**

Extended Tees & Crosses

UPCode 670610	Description.
019305	9-391 (2x1 1/2)
019312	9-391 (2x2)
019329	9-396 (2x1 1/2)
019336	9-396 (2x2)
019350	9-498 (2x2)

Fitting **NOT** furnished,
shown for position
only.



Floor Mount Back Outlet Hardware

UPCode 670610	Description
376033	FMBO Hardware Kit

4FA Finish Hardware

- (1) GI-MB Neo Sponge Bowl Gasket
- (2) Chrome Plated Cap Nut
- (2) 7/16" I.D.x1" O.D. Flat Washer
- (2) 7/16" I.D.x1" O.D. Fiber Washer
- (2) 7/16" I.D.x1" O.D. Chrome Plated Washer
- (4) 3/8"-16 Hex Nut

Composed of:

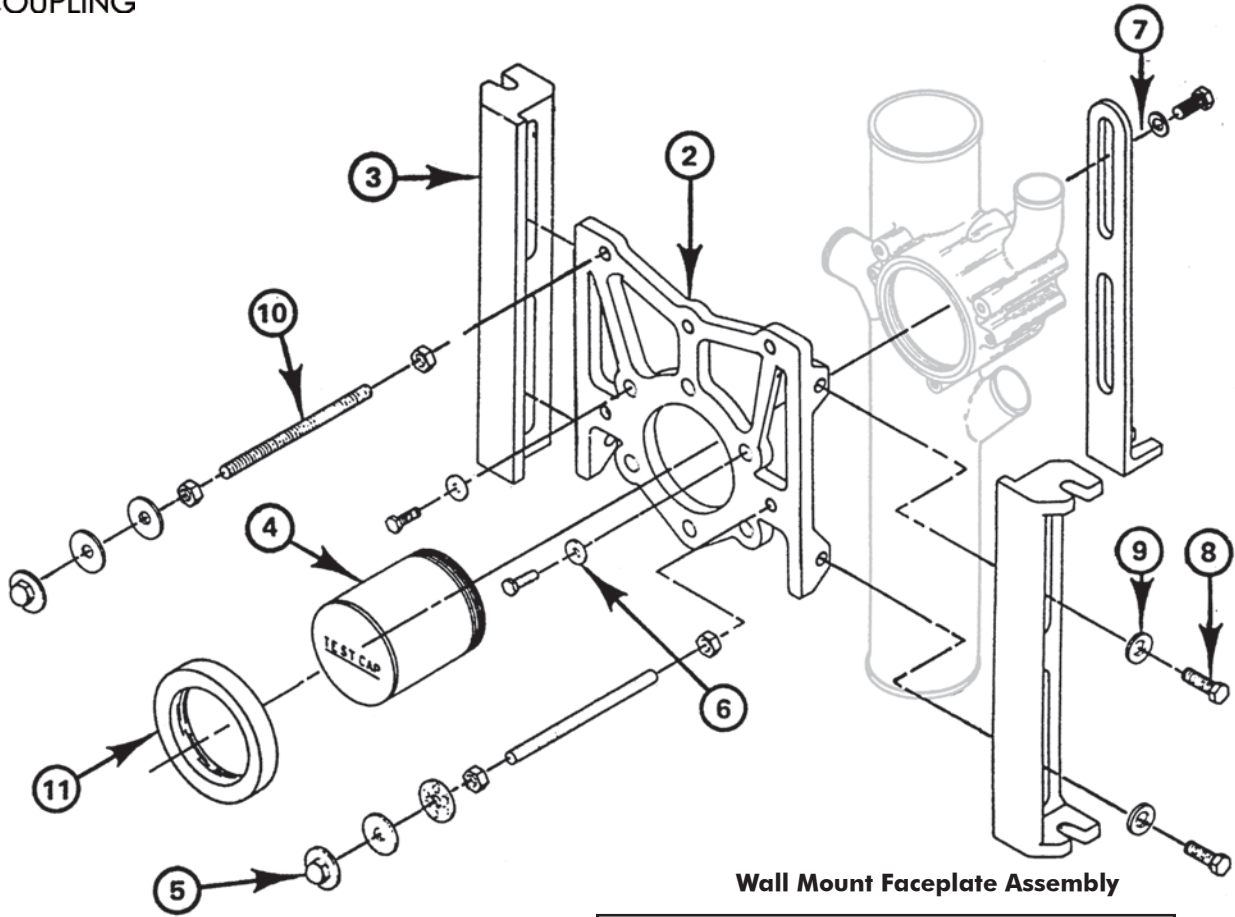
Dwg. No.	Quantity	Description
2	(1)	300 C-11 Plastic Nipple
3, 5	(1)	4FA Finish Hardware Bag
4	(2)	R31, 3/8"-16 NC2x14" Lg. Thd. Rod
	(1)	LD4 Wadetite Sealant



PIPE & COUPLING

WALL MOUNT FACEPLATE ASSEMBLY

Fitting **NOT** furnished,
shown for position only.

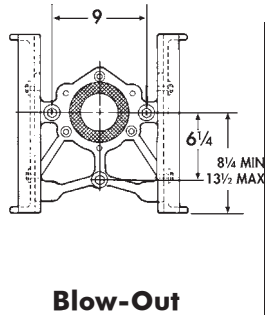
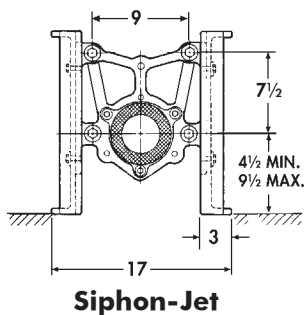


Wall Mount Faceplate Assembly

UPCode	Description
670610	
376187	360-FP Faceplate Assembly

Composed of:

Dwg. No.	Quantity	Description
2	(1)	360-FP Carrier Faceplate
3	(2)	300-F Support Foot
4	(1)	300 C-11 Plastic Nipple
6, 8, 9	(1)	47R Hardware Bag
5, 11	(1)	IFA Finish Hardware Bag
10	(4)	R18, 5/8" -11NC2x15" Lg. Thd. Rod
7	(1)	360 Anchor Foot Assembly



47R Hardware

- (4) B-214H 1/2"-13NC2 x 1 1/4" Long Hex Hd. Bolt
- (8) 210 7/16" I.D. x 1-3/8" O.D. Flat Washer
- (3) B211H 3/8"-16NC2 x 1 1/4" Long Hex Hd. Bolt
- (3) 203 7/16" I.D. x 1" O.D. Flat Washer
- (4) 5/8"-11 Hex Nut

IFA Finish Hardware

- (1) GI-MB Neo Sponge Bowl Gasket
- (4) Chrome Plated Washer Nut
- (4) 1 1/16" I.D. x 1-3/4" O.D. Fiber Washer
- (1) 5/8"-11 NC2 Bowl Saver Nut
- (3) 1 1/16" I.D. x 1-3/4" O.D. Steel Washer
- (4) 5/8"-11 Hex Nut



PIPE & COUPLING

TYLER NO-HUB VALU-PAK LIST

Heavy shrink wrapped for stability and packaged on pallets for easier movement, these TYLER VALU-PAKS help simplify ordering and inventory. They take less space in your storage yard, too. VALU-PAKS are priced less than an equal number of individual fittings.

NO-HUB FULL CRATES

UPC # 670610	Ship Code	Size	Valu-Pak Qty.	Wt.	UPC # 670610	Ship Code	Size	Valu-Pak Qty.	Wt.	UPC # 670610	Ship Code	Size	Valu-Pak Qty.	Wt.
1/4 BEND					SAN TEE					SAN CROSS				
006848	S	1½	1500	2850	007555	S	1½	1000	2300	009122	S	4	110	979
006855	S	2	1050	2940	007562	S	2x1½	700	2100	TEST TEE less plug				
006862	S	3	460	2254	007579	S	2	720	2448	009429	N	2	1000	2700
006879	S	4	240	1848	007593	S	3x2	440	2156	009436	N	3	380	1824
006893	S	6	90	1170	007609	S	3	320	1888	009443	N	4	200	1880
006909	S	8	40	908	007616	S	4x2	300	1980	TEST TEE with Type "A" Brass Plug				
1/4 BEND w/2" Heel					007623	S	4x3	240	1992	011736	N	2-2	800	2400
006947	S	3	350	1540	007630	S	4	180	1728	011743	S	3-3	300	1650
1/4 BEND TAPPED					SAN TAP TEE					011750	N	4-4	180	1872
006985	S	2x1½	1600	2400	007999	S	2x1½	780	1950	011767	N	5-5	60	960
SHORT SWEEP					008002	S	2x2	800	2320	011774	S	6-6	30	621
007111	S	2	650	2730	WYE					REDUCER				
007128	S	3	320	1984	008217	S	2	750	2700	009665	S	2x1½	2600	2860
007135	S	4	170	1632	008224	S	3x2	480	2064	009672	S	3x2	1470	1764
007159	S	6	70	1345	008231	S	3	350	2275	009689	S	4x2	1000	2200
007166	S	8	30	900	008248	S	4x2	300	1740	009696	S	4x3	900	1980
LONG SWEEP					008255	S	4x3	230	2070	BLIND PLUG				
007197	S	2	420	2520	008262	S	4	160	1648	010043	S	2	5000	4000
007203	S	3	210	1785	008293	N	5x4	85	1071	010050	S	3	2400	2880
007210	S	4	130	1742	008330	S	6x4	80	1280	010067	S	4	1470	2940
007234	S	6	50	1045	008347	S	6x5	60	1062	P-TRAP				
1/8 BEND					008354	S	6	50	1050	010128	S	2	550	2585
007326	S	1½	2100	2310	008385	S	8x4	35	763	010135	S	3	190	1843
007333	S	2	1540	3234	008392	S	8x5	30	765	010142	S	4	90	1332
007340	S	3	720	2376	008408	S	8x6	30	849	UPRIGHT WYE				
007357	S	4	374	1650	008415	S	8	25	995	008668	S	2	450	2250
007371	S	6	150	1275	COMBINATION WYE									
007388	S	8	65	975	008781	S	2	560	2520					
1/16 BEND					008798	S	3x2	400	2320					
007494	S	2	2000	2600	008804	S	3	240	2016					
007500	S	3	880	2112	008811	S	4x2	260	1924					
007517	S	4	540	2052	008828	S	4x3	150	1590					
					008835	S	4	104	1523					



PIPE & COUPLING

TYLER NO-HUB VALU-PAK LIST

Heavy shrink wrapped for stability and packaged on pallets for easier movement, these TYLER VALU-PAKS help simplify ordering and inventory. They take less space in your storage yard, too. VALU-PAKS are priced less than an equal number of individual fittings.

NO-HUB 1/2 CRATES

UPC # 670610	Ship Code	Size	Valu-Pak Qty.	Wt.	UPC # 670610	Ship Code	Size	Valu-Pak Qty.	Wt.	UPC # 670610	Ship Code	Size	Valu-Pak Qty.	Wt.
1/4 BEND					SAN TEE					SAN CROSS				
006848	S	1½	750	1425	007555	S	1½	500	990	009122	S	4	55	639
006855	S	2	525	1470	007562	S	2x1½	350	1200	TEST TEE less plug				
006862	S	3	230	1127	007579	S	2	360	1224	009429	S	2-2	500	1485
006879	S	4	120	924	007593	S	3x2	220	1078	009436	S	3-3	190	1030
006893	S	6	45	590	007609	S	3	160	970	009443	S	4-4	100	860
1/4 BEND w/2" Heel					007616	S	4x2	150	908	REDUCER				
006947	S	3	175	950	007623	S	4x3	120	996	009665	N	2x1½	1300	1168
1/4 BEND TAPPED					007630	S	4	90	823	009672	S	3x2	735	882
006985	S	2x1½	800	1450	SAN TAP TEE					009689	S	4x2	500	1280
SHORT SWEEP					007999	S	2x1½	390	1092	009696	S	4x3	450	1200
007111	S	2	325	1365	008002	S	2x2	400	1240	BLIND PLUG				
007128	S	3	160	992	WYE					010043	S	2	2500	2188
007135	S	4	85	816	008217	S	2	375	1350	010050	S	3	1200	1615
LONG SWEEP					008224	S	3x2	240	1003	010067	S	4	735	1535
007197	S	2	210	1117	008231	S	3	175	895	P-TRAP				
007203	S	3	105	981	008248	S	4x2	150	892	010128	S	2	275	1293
007210	S	4	65	802	008255	S	4x3	115	855	010135	S	3	95	889
1/8 BEND					008262	S	4	80	824	010142	S	4	45	730
007326	S	1½	1050	1260	008330	S	6x4	40	719					
007333	S	2	770	1617	008354	S	6	25	640	UPRIGHT WYE				
007340	S	3	360	1188						008668	S	2	225	1130
007357	S	4	187	823	COMBINATION WYE									
007371	S	6	75	719	008781	S	2	280	1260					
1/16 BEND					008798	S	3x2	200	1016					
007494	S	2	1000	1300	008804	S	3	120	1008					
007500	S	3	440	1225	008811	S	4x2	130	920					
007517	S	4	270	950	008828	S	4x3	75	726					
					008835	S	4	52	754					



PIPE & COUPLING

TYLER SERVICE WEIGHT VALU-PAK LIST

Heavy shrink wrapped for stability and packaged on pallets for easier movement, these TYLER VALU-PAKS help simplify ordering and inventory. They take less space in your storage yard, too. VALU-PAKS are priced less than an equal number of individual fittings.

SERVICE WEIGHT (SV) FULL CRATES

UPC #	Ship Code	Size	Valu-Pak Qty.	Wt.	UPC #	Ship Code	Size	Valu-Pak Qty.	Wt.	UPC #	Ship Code	Size	Valu-Pak Qty.	Wt.
1/4 BEND					SAN TEE					P-TRAP				
000341	N	2	524	2625	001317	S	4x2	134	1755	004486	S	2	350	2520
000358	N	3	274	2200	001324	S	4x3	94	1425	004493	S	3	134	1825
000365	S	4	150	2020	001331	S	4	90	1530	004509	S	4	76	1345
000389	N	6	54	1265	WYE					2-253 PLAIN END CLOSET BEND				
000396	S	8	30	1230	001560	S	2	300	2470	025528	S	4x4x16	110	1456
1/8 BEND					001577	S	3x2	190	2280	025573	S	4x6x16	90	1440
000518	S	2	670	2680	001584	S	3	140	1960	025795	S	4x12x12	80	1232
000525	S	3	340	2450	001591	S	4x2	134	1825	025856	S	4x16x16	50	1100
000532	S	4	170	1700	001607	S	4x3	110	1870	025962	S	4x18x18	50	1225
000556	S	6	84	1530	001614	S	4	80	1510	2-253 NORTHEAST SPECIAL SERIES CLOSET BEND with 1 1/2" or 2" Side Tap				
000563	S	8	35	1190	001645	S	5x4	55	1045	025917	S	4x16x16T2-1 1/2	50	1100
1/16 BEND					001683	S	6x4	42	1134	284789	S	4x16x16T4-1 1/2	50	1350
000600	S	2	710	2130	001706	S	6	28	1008					
000617	S	3	360	2160	001713	S	8x4	25	1125					
000624	S	4	220	1980	001720	S	8x5	20	920					
LONG SWEEP					001737	S	8x6	20	1060					
001041	S	2	266	2190	COMBINATION WYE									
001058	S	3	140	1540	001997	S	4x2	114	1795					
001065	S	4	86	1770	002000	S	4x3	72	1296					
001089	S	6	36	1080	002017	S	4	66	1680					
001096	S	8	15	810	002079	S	6x4	36	1152					
REDUCING LONG SWEEP					002086	S	6	25	1125					
001195	S	4x3	90	1170	REDUCER									
SHORT SWEEP					003588	S	3x2	460	2300					
001102	S	2	426	2620	003595	S	4x2	320	1920					
001119	S	3	200	2000	003601	S	4x3	270	1890					
001126	S	4	124	1820	003649	S	6x4	140	1540					
001140	S	6	50	1250										
001157	S	8	25	1200										



PIPE & COUPLING

TYLER SERVICE WEIGHT VALU-PAK LIST

Heavy shrink wrapped for stability and packaged on pallets for easier movement, these TYLER VALU-PAKS help simplify ordering and inventory. They take less space in your storage yard, too. VALU-PAKS are priced less than an equal number of individual fittings.

SERVICE WEIGHT (SV) 1/2 CRATES

UPC #	Ship Code	Size	Valu-Pak Qty.	Wt.	UPC #	Ship Code	Size	Valu-Pak Qty.	Wt.	UPC #	Ship Code	Size	Valu-Pak Qty.	Wt.
670610					670610					670610				
1/4 BEND					REDUCING LONG SWEEP					COMBINATION WYE				
000341	S	2	262	1310	001195	S	4x3	45	840	001997	S	4x2	57	855
000358	S	3	137	1096	SHORT SWEEP					002000	S	4x3	36	636
000365	S	4	75	1010	001102	S	2	213	1310	002017	S	4	33	840
000389	S	6	27	621	001119	N	3	100	1000	002079	S	6x4	18	558
1/8 BEND					001126	S	4	62	868	REDUCER				
000518	S	2	335	1340	SAN TEE					003588	S	3x2	230	1150
000525	S	3	170	1190	001317	S	4x2	67	871	003595	S	4x2	160	988
000532	S	4	85	850	001324	S	4x3	47	705	003601	S	4x3	135	887
000556	S	6	42	756	001331	S	4	45	765	003649	S	6x4	70	759
1/16 BEND					WYE					P-TRAP				
000600	S	2	355	1320	001560	S	2	150	1235	004486	S	2	175	1260
000617	S	3	180	1065	001577	S	3x2	95	915	004493	S	3	67	871
000624	S	4	110	990	001584	S	3	70	882	004509	S	4	38	673
LONG SWEEP					001591	S	4x2	67	871					
001041	S	2	133	1095	001607	S	4x3	55	935					
001058	S	3	70	840	001614	S	4	40	755					
001065	S	4	43	885	001683	S	6x4	21	577					
001089	S	6	18	612	001706	S	6	14	512					

BUNDLED SV PIPE, SINGLE HUB

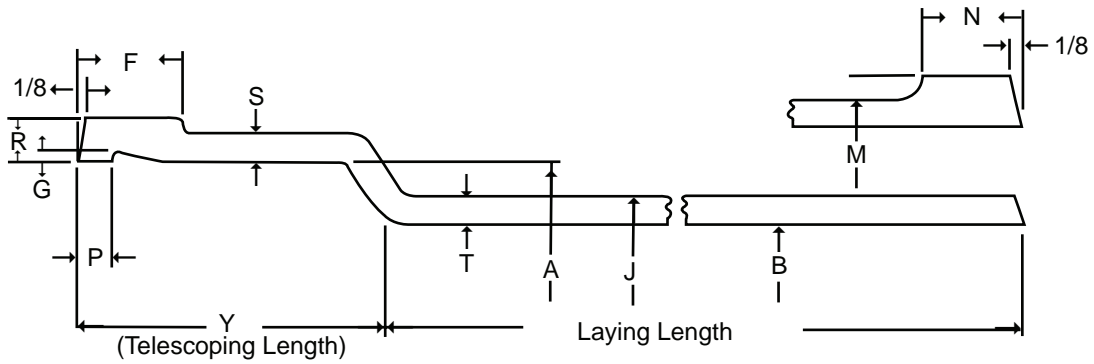
3 1/2 - FOOT			5 - FOOT			10 - FOOT		
Size	Pcs.	Wt	Size	Pcs.	Wt.	Size	Pcs.	Wt
2	102	1530	2x5	102	2050	2x10	36	1296
3	60	1380	3x5	60	1873	3x10	36	1885
4	46	1391	4x5	46	1947	4x10	27	2067
5	32	1260	5x5	32	1776	5x10	24	2344
6	24	1095	6x5	24	1506	6x10	18	2320
8	15	1080	8x5	15	1520	8x10	15	2870
10	8	863	10x5	8	1220	10x10	8	2190
12	6	825	12x5	6	1160	12x10	6	1970
15	4	751	15x5	4	1060	15x10	4	1988

* **NOTICE:** All references to "weights" in this catalog section are averages and refer to SHIPPING WEIGHT ONLY. Actual weights may vary in accordance with dimensional tolerances.



PIPE & COUPLING

XH CAST IRON SOIL PIPE



SV CLASS SINGLE HUB PIPE

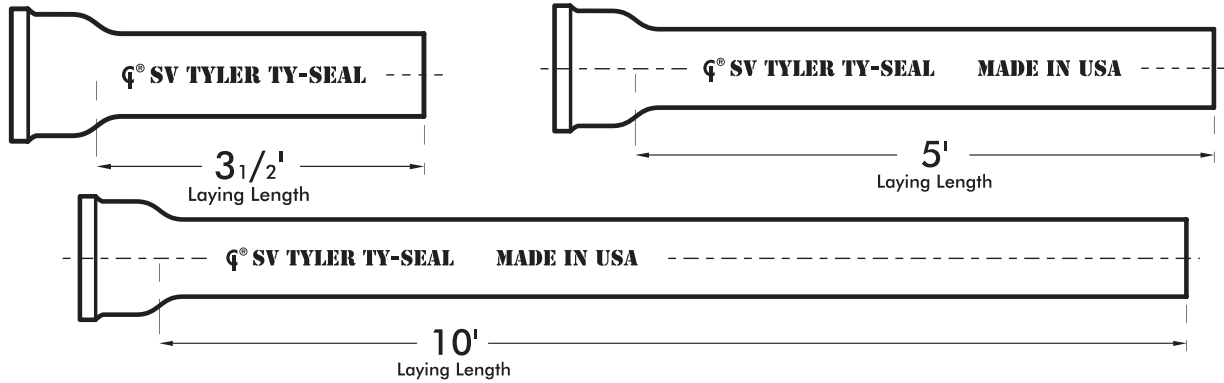
3-1/2 Ft.		5 Ft.		10 Ft.	
UPCode 670610	Size	UPCode 670610	Size	UPCode 670610	Size
244059	2	000006	2	000181	2
244066	3	000013	3	000198	3
244073	4	000020	4	000204	4
244080	5	000037	5	000211	5
244097	6	000044	6	000228	6
000273	8	000051	8	000235	8
000280	10	000068	10	000242	10
000297	12	000075	12	000259	12
000303	15	000082	15	000266	15

NOTE: For bundle quantities & weights, see page 27.



PIPE & COUPLING

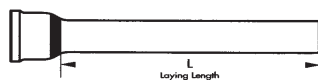
**SV (SERVICE) ASA GROUP 021
CAST IRON SOIL PIPE**



SV CLASS SINGLE HUB PIPE

3-½ Ft.		5 Ft.		10 Ft.	
UPCode 670610	Size	UPCode 670610	Size	UPCode 670610	Size
244059	2	000006	2	000181	2
244066	3	000013	3	000198	3
244073	4	000020	4	000204	4
244080	5	000037	5	000211	5
244097	6	000044	6	000228	6
000273	8	000051	8	000235	8
000280	10	000068	10	000242	10
000297	12	000075	12	000259	12
000303	15	000082	15	000266	15

NOTE: For bundle quantities & weights, see page 27.



**SINGLE HUB,
30" LENGTHS**

UPCode 670610	Size	L
086185	8	30
274452	10	30



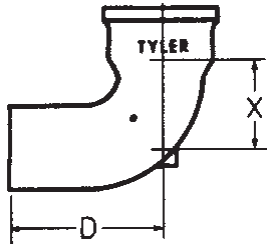
**DOUBLE HUB,
30" LENGTHS**

UPCode 670610	Size
000310	2x30"
000327	3x30"
000334	4x30"



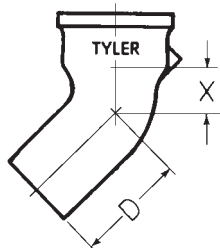
PIPE & COUPLING

**SV (SERVICE) ASA GROUP 021
BENDS**



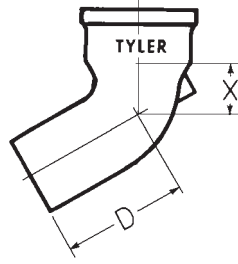
QUARTER BEND

UPCode 067610	Size	X	D
000341	2	3¼	6
000358	3	4	7
000365	4	4½	8
000372	5	5	8½
000389	6	5½	9
000396	8	6⅝	11½
000402	10	7⅝	12½
000419	12	8¾	15
000426	15	10¼	16½



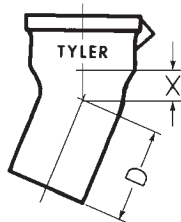
EIGHTH BEND

UPCode 067610	Size	X	D
000518	2	1½	4¼
000525	3	1 ¹⁵ / ₁₆	4 ¹⁵ / ₁₆
000532	4	2 ³ / ₁₆	5 ¹¹ / ₁₆
000549	5	2 ³ / ₈	5 ⁷ / ₈
000556	6	2 ⁹ / ₁₆	6 ¹ / ₁₆
000563	8	3 ³ / ₈	8
000570	10	3½	8 ³ / ₈
000587	12	4 ¹ / ₁₆	10 ⁵ / ₁₆
000594	15	4 ¹¹ / ₁₆	10 ¹⁵ / ₁₆



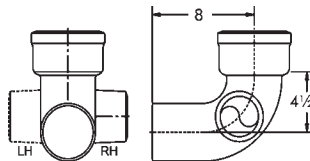
SIXTH BEND

UPCode 067610	Size	X	D
000464	2	2	4¾
000471	3	2½	5½
000488	4	2 ¹³ / ₁₆	6 ⁵ / ₁₆
383116	5	3 ¹ / ₈	6 ⁵ / ₈
000495	6	3 ³ / ₈	6 ⁷ / ₈
028536	8	4 ¹ / ₈	9
000501	10	4 ¹¹ / ₁₆	9 ⁹ / ₁₆



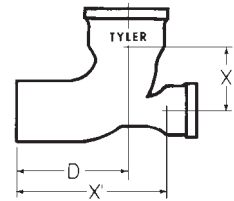
SIXTEENTH BEND

UPCode 067610	Size	X	D
000600	2	7/8	3 ⁵ / ₈
000617	3	1 ³ / ₁₆	4 ³ / ₁₆
000624	4	1 ⁵ / ₁₆	4 ¹³ / ₁₆
000631	5	1 ³ / ₈	4 ⁷ / ₈
000648	6	1½	5
000655	8	1 ¹³ / ₁₆	6 ¹¹ / ₁₆
000662	10	2	6 ⁷ / ₈
000679	12	2 ³ / ₈	8 ⁵ / ₈
000686	15	2 ⁵ / ₈	8 ⁷ / ₈



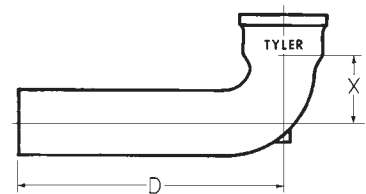
**QUARTER BEND
w/2" HUB SIDE OPENING**

UPCode 067610	Size
047698	4(R)
047704	4(L)



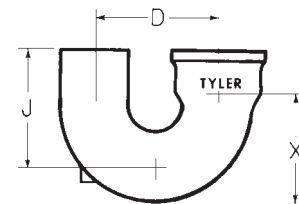
**QUARTER BEND
w/ Low Heel Inlet**

UPCode 067610	Size	X	X'	D
000716	3-2	4	9	7
000723	4-2	4½	10½	8



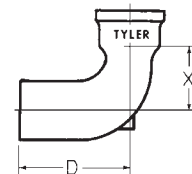
LONG QUARTER BEND

UPCode 067610	Size	X	D
000792	2-12	3¼	12
000808	2-18	3¼	18
000815	3-12	4	12
000839	4-12	4½	12
000860	4-18	4½	18
000877	4-24	4½	24



SINGLE HUB RETURN BEND

UPCode 067610	Size	X	D	J
001027	3	6	7	7
001034	4	6¾	8	7½

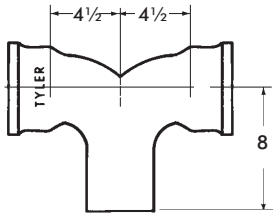


QUARTER BEND, REDUCING

UPCode 067610	Size	X	D
100089	3x2	3 ³ / ₈	7
000747	4x2	3¼	7
000754	4x3	4¼	8 ¹ / ₈

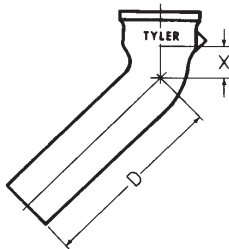


PIPE & COUPLING



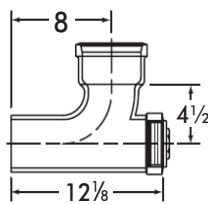
DOUBLE QUARTER BEND

UPCode 067610	Size
392002	4



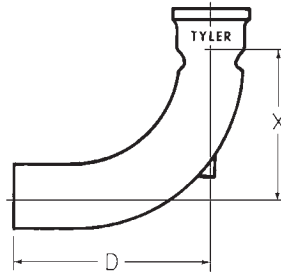
LONG EIGHTH BEND

UPCode 067610	Size-Length	X	D
000976	2-18	1 1/2	18
000983	3-12	1 15/16	12
000990	3-18	1 15/16	18
001003	4-12	2 3/16	12
001010	4-18	2 3/16	18
393023	6-18	2 5/16	18



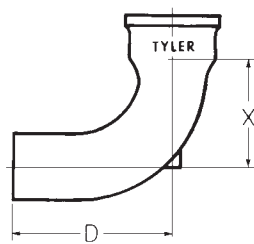
**Sanitary Tee
w/ Cleanout on Main**

UPCode 067610	Size	IPS Tap
112822	4	3 1/2



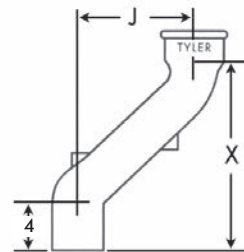
**LONG SWEEP BEND,
REDUCING**

UPCode 067610	Size	X	D
001188	3x2	9	12
001195	4x3	9 1/2	13



SHORT SWEEP BEND

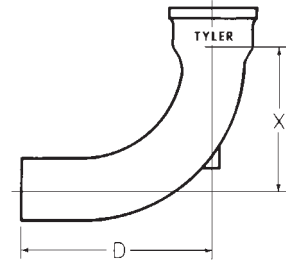
UPCode 067610	Size	X	D
001102	2	5 1/4	8
001119	3	6	9
001126	4	6 1/2	10
001133	5	7	10 1/2
001140	6	7 1/2	11
001157	8	8 5/8	13 1/2
001164	10	9 5/8	14 1/2
383284	12	10 3/4	17



45 DEGREE OFFSET

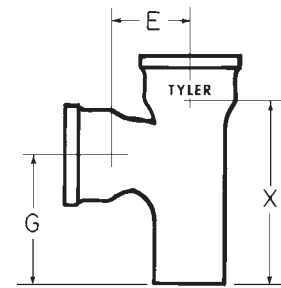
UPCode 067610	Size-Offset	X	J
003540	4" - 4"	11	4
003557	4" - 6"	13	6
003564	4" - 8"	15	8

**SV (SERVICE) ASA GROUP 021
BENDS, TEES**



LONG SWEEP BEND

UPCode 067610	Size	X	D
001041	2	8 1/4	11
001058	3	9	12
001065	4	9 1/2	13
001072	5	10	13 1/2
001089	6	10 1/2	14
001096	8	11 5/8	16 1/2
382638	10	12 5/8	17 1/2
383581	12	13 3/4	20
393016	15	15 1/4	21 1/2



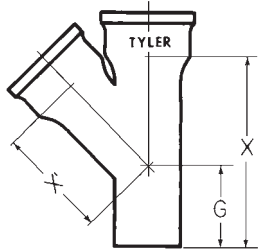
SAN TEE

UPCode 067610	Size	X	E	G
001287	2	8	2 3/4	6 1/4
001294	3x2	9	4	7
001300	3	10	4	7 1/2
001317	4x2	9	4 1/2	7
001324	4x3	10	4 1/2	7 1/2
001331	4	11	4 1/2	8
001348	5x4	11	5	8
001355	5	12	5	8 1/2
001362	6x2	9	5 1/2	7
001379	6x3	10	5 1/2	7 1/2
001386	6x4	11	5 1/2	8
001393	6	13	5 1/2	9
001409	8x4	13	6 1/2	9 3/4
001416	8x6	15	6 1/2	10 3/4
001423	8	17	6 5/8	11 3/4
001430	10x4	13	7 1/2	9 3/4
001447	10x6	15	7 1/2	10 3/4
001454	10x8	17	7 5/8	11 3/4
001461	10	19	7 5/8	12 3/4
001478	12x6	16 1/2	8 1/2	12
001485	12x8	18 1/2	8 5/8	13
001492	12x10	20 1/2	8 5/8	14
001508	12	22 1/2	8 3/4	15
001515	15x6	16 1/2	10	12
001522	15x8	18 1/2	10 5/8	13
001546	15x12	22 1/2	10 1/4	15
001553	15	25 1/2	10 1/4	16 1/2



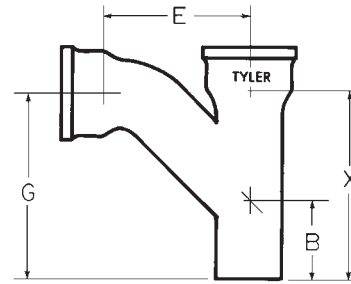
PIPE & COUPLING

**SV (SERVICE) ASA GROUP 021
Y'S, COMBINATIONS, TEES**



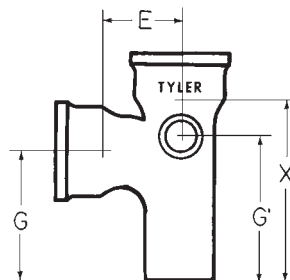
WYE

UPCode 067610	Size	X	X'	G
001560	2	8	4	4
001577	3x2	9	5	4 ³ / ₁₆
001584	3	10 ¹ / ₂	5 ¹ / ₂	5
001591	4x2	9	5 ³ / ₄	3 ⁵ / ₈
001607	4x3	10 ¹ / ₂	6 ¹ / ₄	4 ⁷ / ₁₆
001614	4	12	6 ³ / ₄	5 ¹ / ₄
001621	5x2	9	6 ¹ / ₂	3 ¹ / ₈
001638	5x3	10 ¹ / ₂	7	3 ⁷ / ₈
001645	5x4	12	7 ¹ / ₂	4 ¹¹ / ₁₆
001652	5	13 ¹ / ₂	8	5 ¹ / ₂
001669	6x2	9	7 ¹ / ₄	2 ⁹ / ₁₆
001676	6x3	10 ¹ / ₂	7 ³ / ₄	3 ³ / ₈
001683	6x4	12	8 ¹ / ₄	4 ³ / ₁₆
001690	6x5	13 ¹ / ₂	8 ³ / ₄	4 ¹⁵ / ₁₆
001706	6	15	9 ¹ / ₄	5 ³ / ₄
383482	8x2	10 ¹ / ₂	8 ¹ / ₂	3 ¹ / ₈
387848	8x3	12	9	3 ¹⁵ / ₁₆
001713	8x4	13 ¹ / ₂	9 ¹ / ₂	4 ³ / ₄
001720	8x5	15	10	5 ¹ / ₂
001737	8x6	16 ¹ / ₂	10 ¹ / ₂	6 ⁵ / ₁₆
001744	8	19 ¹ / ₂	11 ¹³ / ₁₆	7 ¹¹ / ₁₆
001751	10x3	12	10 ³ / ₄	2 ³ / ₄
001768	10x4	13 ¹ / ₂	11 ¹ / ₈	3 ⁹ / ₁₆
001775	10x5	15	11 ⁵ / ₈	4 ⁵ / ₁₆
001782	10x6	16 ¹ / ₂	12 ¹ / ₈	5 ¹ / ₈
001799	10x8	19 ¹ / ₂	13 ⁷ / ₁₆	6 ¹ / ₂
001805	10	22 ¹ / ₂	14 ¹ / ₂	8
001812	12x4	15	12 ⁷ / ₁₆	4 ¹ / ₈
001829	12x5	16 ¹ / ₂	12 ¹⁵ / ₁₆	4 ⁷ / ₈
001836	12x6	18	13 ⁷ / ₁₆	5 ¹¹ / ₁₆
001843	12x8	21	14 ³ / ₄	7 ¹ / ₁₆
001850	12x10	24	15 ¹³ / ₁₆	8 ⁹ / ₁₆
001867	12	27	16 ⁷ / ₈	10 ¹ / ₈
001874	15x4	15 ¹ / ₄	15	2 ¹ / ₂
001881	15x6	18	15 ³ / ₄	4
001898	15x8	21	17 ¹ / ₁₆	5 ³ / ₈
001904	15x10	24	18 ¹ / ₈	6 ⁷ / ₈
001911	15x12	27	19 ³ / ₁₆	8 ⁷ / ₁₆
001928	15	31 ¹ / ₂	20 ³ / ₄	10 ³ / ₄



COMBINATION

UPCode 067610	Size	X	B	E	G
001966	2	8	4	4 ⁷ / ₈	7 ³ / ₈
001973	3x2	9	4 ³ / ₁₆	5 ³ / ₄	8 ³ / ₁₆
001980	3	10 ¹ / ₂	5	7	10 ¹ / ₁₆
001997	4x2	9	3 ¹¹ / ₁₆	6 ¹ / ₄	8 ³ / ₁₆
002000	4x3	10 ¹ / ₂	4 ¹ / ₂	7 ¹ / ₂	10 ¹ / ₁₆
002017	4	12	5 ¹ / ₄	9	12 ¹ / ₁₆
002024	5x2	9	3 ³ / ₈	6 ³ / ₄	8 ³ / ₈
383123	5x3	10 ¹ / ₂	4	8	10 ¹ / ₁₆
002031	5x4	12	4 ¹ / ₄	9 ¹ / ₂	11 ¹ / ₁₆
002048	5	13 ¹ / ₂	5 ¹ / ₂	11	14 ¹ / ₈
002055	6x2	9	2 ¹¹ / ₁₆	7 ¹ / ₄	8 ³ / ₁₆
002062	6x3	10 ¹ / ₄	3 ¹ / ₈	8 ¹ / ₂	9 ¹¹ / ₁₆
002079	6x4	12	4 ¹ / ₄	10	12 ¹ / ₁₆
388258	6x5	13 ¹ / ₂	5 ¹ / ₁₆	11 ¹ / ₂	14 ³ / ₁₆
002086	6	15	5 ³ / ₄	12 ⁷ / ₈	16 ¹ / ₁₆
383611	8x2	10 ¹ / ₂	3 ¹ / ₈	8 ¹ / ₄	9 ⁵ / ₈
002093	8x4	13 ¹ / ₂	4 ³ / ₄	11	13 ¹ / ₁₆
384748	8x5	15	5 ¹ / ₂	12 ¹ / ₂	15 ⁵ / ₈
002109	8x6	16 ¹ / ₂	6 ⁵ / ₁₆	13 ⁷ / ₈	17 ⁵ / ₈
002116	8	19 ¹ / ₂	7 ¹¹ / ₁₆	17	21 ¹ / ₁₆



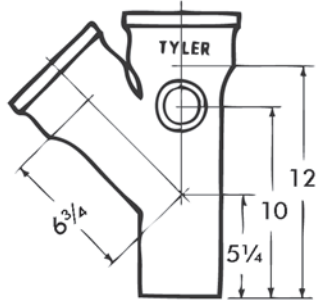
**SAN TEE
w/2" Hub Side Openings**

UPCode 067610	Size	X	E	G	G'
002277	3R	10	4	7 ¹ / ₂	8
002291	3L	10	4	7 ¹ / ₂	8
002284	4R	11	4 ¹ / ₂	8	9
002307	4L	11	4 ¹ / ₂	8	9
002321	4R&L	11	4 ¹ / ₂	8	9



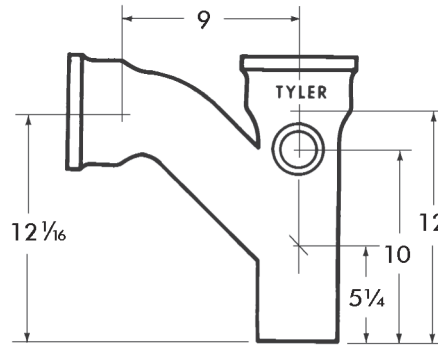
PIPE & COUPLING

**SV (SERVICE) ASA GROUP 021
Y'S, COMBINATIONS, TEES, "H" BRANCHES**



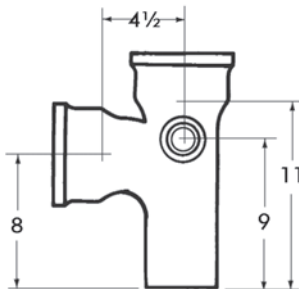
**WYE
w/2" Hub Side Opening**

UPCode 067610	Size
002390	4R
002406	4L



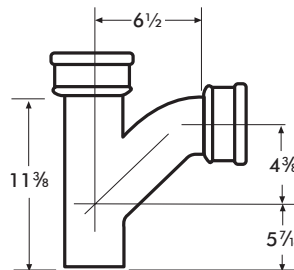
**COMBINATION
w/2" Hub Side Opening**

UPCode 067610	Size
002413	4R
002420	4L



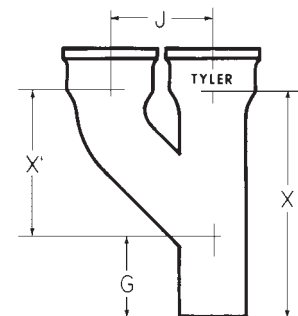
SAN TEE W/SIDE TAPS

UPCode 067610	Size
002369	4"w/2" R Tap
002376	4"w/2" L Tap
002383	4"w/2" L&R Tap



**COMBINATION
(SHORT TURN)**

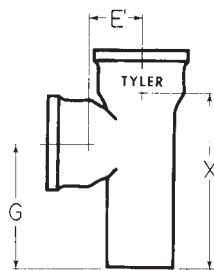
UPCode 0670610	Size
086192	4



"H" BRANCH

UPCode 067610	Size	X	X'	J	G
002222	2	10	6	4 1/2	4
002239	3x2	10 11/16	6 3/4	5	4 3/16
002246	3	12 7/16	7 7/16	5 1/2	5
002253	4x3	12 3/4	7 5/16	6	4 1/2
002260	4"	13 15/16	8 11/16	6 1/2	5 1/4

STRAIGHT TEE

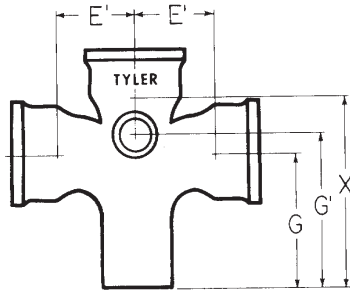


UPCode 067610	Size	X	G	E'
001201	2	8	6 1/4	1 3/4
001218	3x2	9	7	2 1/2
001225	3	10	7 1/2	2 1/2
001232	4x2	9	7	3
001249	4x3	10	7 1/2	3
001256	4	11	8	3
001263	6x4	11	8	4
001270	6	13	9	4
113324	8x4	12 7/8	9 5/8	5 1/4



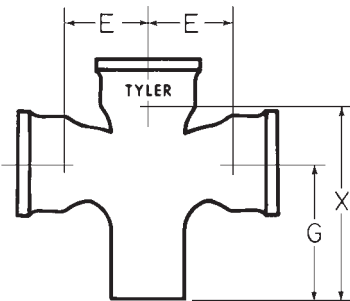
PIPE & COUPLING

**SV (SERVICE) ASA GROUP 021
CROSSES, WYES**



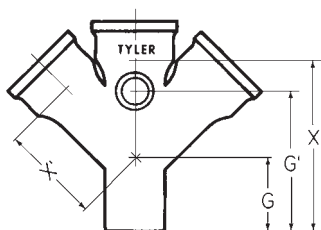
SAN CROSS W/2" SIDE OPENING

UPCode 067610	Size (Side Opening)	X	E'	G	G'
002871	4 (1 side)	11	4½	8	9
002895	4 (2 sides)	11	4½	8	9



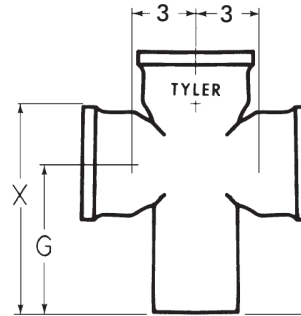
**SAN CROSS
(No Baffle)**

UPCode 067610	Size	X	E	G
002512	2	8	3¼	6¼
002529	3x2	9	4	7
002536	3	10	4	7½
002543	4x2	9	4½	7
002550	4x3	10	4½	7½
002567	4	11	4½	8
002574	5x4	11	5	8
012618	6x4	11	5½	8
383321	6	13	5½	9
002581	8x4	13	6½	9¾



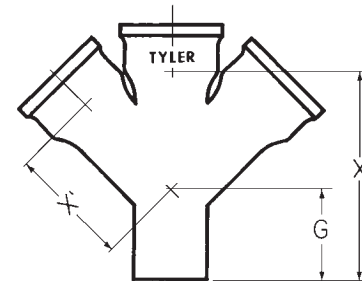
**DOUBLE WYE
w/2" Hub Side Opening**

UPCode 067610	Size	X	X'	G	G'
002932	4	12	9¼	5¼	10



STRAIGHT CROSS

UPCode 067610	Size	G	X	E	SV
102588	4x2	7	9	3	14
102595	4	8	11	3	18



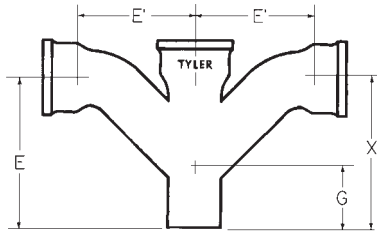
DOUBLE WYE

UPCode 067610	Size	X	X'	G
002598	2	8	4	4
002604	3x2	9	5	4 ³ / ₁₆
002611	3	10½	5½	5
002628	4x2	9	5¾	3 ⁵ / ₈
002635	4x3	10½	6¼	4 ⁷ / ₁₆
002642	4	12	9¼	5¼
392026	5	13½	8	5½
387855	6x3	10½	7	3 ³ / ₈
002659	6x4	12	8¼	4 ³ / ₁₆
002666	6	15	9¼	5¾
002673	8x4	13½	9½	4¾
002680	8x6	16½	10½	6 ⁵ / ₁₆
002697	8	19½	11 ¹³ / ₁₆	7 ¹¹ / ₁₆
383086	10x6	16½	12 ¹ / ₈	5 ¹ / ₈
002703	10x8	19½	13 ⁷ / ₁₆	6½
002710	10	22½	14½	8
002727	12x8	21	14¾	7 ¹ / ₁₆
002734	12	27	16 ⁷ / ₈	10 ¹ / ₈
002741	15	31½	20¾	10¾



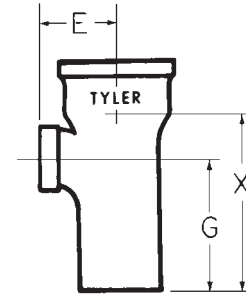
PIPE & COUPLING

SV (SERVICE) ASA GROUP 021 COMBINATIONS, TEES



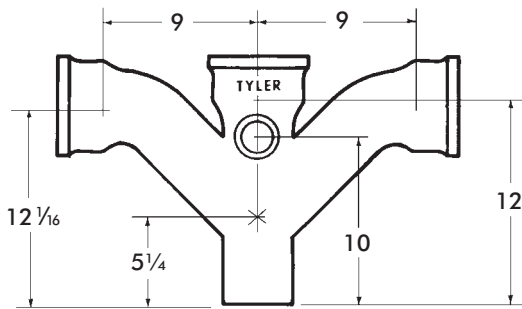
DOUBLE COMBINATION

UPCode 067610	Size	X	E'	E	G
002758	2	8	4 ⁷ / ₈	7 ³ / ₈	4
002765	3x2	9	5 ³ / ₄	8 ³ / ₁₆	4 ³ / ₁₆
002772	3	10 ¹ / ₂	7	10 ¹ / ₁₆	5
002789	4x2	9	6 ¹ / ₄	8 ³ / ₁₆	3 ¹¹ / ₁₆
002796	4x3	10 ¹ / ₂	7 ¹ / ₂	10 ¹ / ₁₆	4 ¹ / ₂
002802	4	12	9	12 ¹ / ₁₆	5 ¹ / ₄
010925	5x4	12	9 ¹ / ₂	11 ¹ / ₁₆	4 ¹ / ₄
002819	6x4	12	10	12 ¹ / ₁₆	4 ¹ / ₄
002826	6	15	12 ⁷ / ₈	16 ¹ / ₁₆	5 ³ / ₄



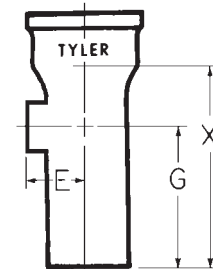
TAPPED SAN TEE

UPCode 067610	Size x Tap	X	E	G
003137	2x1 ¹ / ₂	8	2 ¹³ / ₁₆	6 ¹ / ₄
003144	2x2	8	3 ¹ / ₁₆	6 ¹ / ₄
003168	3x1 ¹ / ₂	9	3 ⁵ / ₁₆	7
003175	3x2	9	3 ³ / ₁₆	7
003182	3x3	10	3 ⁵ / ₁₆	7 ¹ / ₄
003205	4x1 ¹ / ₂	9	3 ¹³ / ₁₆	7
003212	4x2	9	4 ¹ / ₁₆	7
399247	4x3	11	3 ¹⁵ / ₁₆	8



DOUBLE COMBINATION w/2" Hub Side Opening

UPCode 067610	Size
002949	4



STRAIGHT TAPPED TEE

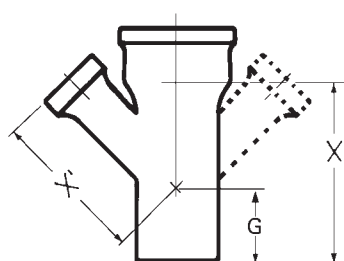
UPCode 670610	Size	X	E	G
002963	2x1 ¹ / ₂	8	2	6 ¹ / ₄
024507	2x2	8	2	6 ¹ / ₄
002994	3x1 ¹ / ₂	9	2 ¹ / ₂	7
003007	3x2	9	2 ¹ / ₂	7
003045	4x2	9	3	7
392071	4x3	11	3	8
003069	4x4	9	3	7
003106	6x4	13	4	9
003076	5x2	12	3 ¹ / ₂	7 ⁷ / ₈
003083	5x4	12	3 ¹ / ₂	8 ¹ / ₂
003090	6x2	13 ¹ / ₄	3 ⁵ / ₈	9

TAPPED WYE

UPCode 067610	Size	X	X'	G
003236	3x2	9	6 ⁵ / ₈	4
003243	4x1 ¹ / ₂	9	7 ⁷ / ₈	5 ¹ / ₄
003250	4x2	9	7 ⁷ / ₈	5 ¹ / ₄

TAPPED DOUBLE WYE

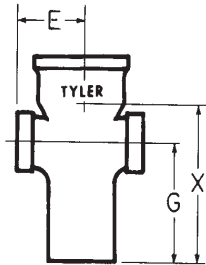
UPCode 670610	Size	X	X'
003441	4x2	9	7 ⁷ / ₈





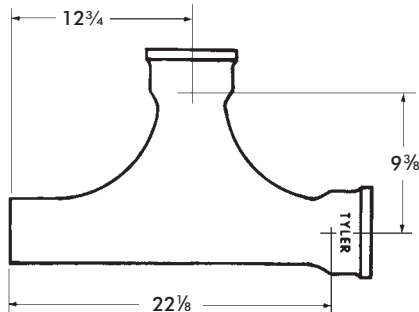
PIPE & COUPLING

**SV (SERVICE) ASA GROUP 021
CROSSES, CLEANOUTS, PLUGS & TEES**



TAPPED SAN CROSS

UPCode 067610	Size x Tap	X	E	G
003359	2x1½	8	4¼	6¼
003366	2x2	8	4¼	6¼
003380	3x1½	9	4¾	7
003397	3x2	9	4¾	7
003410	4x1½	9	5	7
003427	4x2	9	5	7



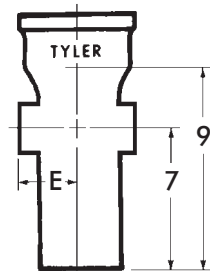
**TWO-WAY CLEANOUT
Memphis Code**

UPCode 067610	Size
003465	4

PIPE PLUG

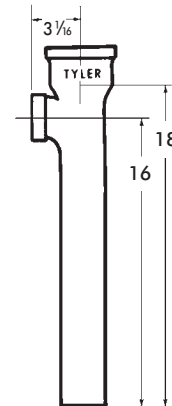


UPCode 670610	Size	F
004035	2	3½
004042	3	3¾
004059	4	4
004066	5	4
004073	6	4
004080	8	4½
004097	10	4½
004103	12	5¼
004110	15	5¼



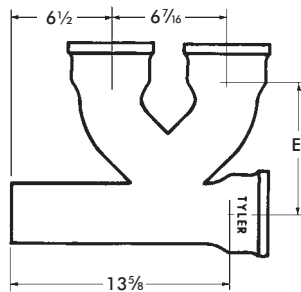
**STRAIGHT TAPPED
CROSS**

UPCode 670610	Size	E
003311	3x2	2½
003328	4x2	3
003335	5x2	5



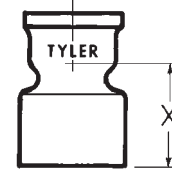
**LONG TAP
SAN TEE**

UPCode 067610	Size
380016	2x2-18



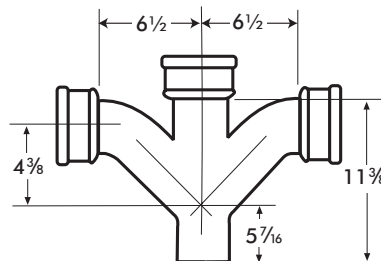
TWO-WAY CLEANOUT

UPCode 067610	Size	E
003519	4	7½
003526	5x5x4x4	8
003533	6x6x4x4	8½



REDUCER

UPCode 670610	Size	X
003588	3x2	4¾
003595	4x2	5
003601	4x3	5
383598	5x2	5
383604	5x3	5
003618	5x4	5
003625	6x2	5
003632	6x3	5
003649	6x4	5
003656	6x5	5
383352	8x3	6
003663	8x4	6
003670	8x5	6
003687	8x6	6
003694	10x4	6
383369	10x5	6
003700	10x6	6
003717	10x8	6
003724	12x4	6½
003731	12x6	6½
003748	12x8	6½
003755	12x10	6½
003762	15x6	6½
003779	15x8	6½
003786	15x10	6½
003793	15x12	6½

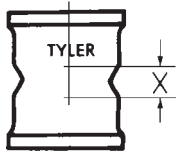


**DOUBLE COMBINATION
(SHORT TURN)**

UPCode 067610	Size
393245	4

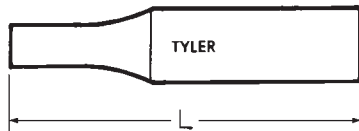


PIPE & COUPLING



DOUBLE HUB FITTING

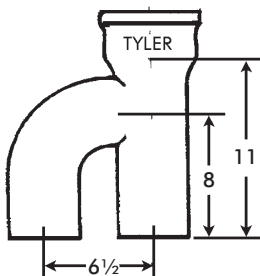
UPCode 670610	Size	X
003960	2	1
003977	3	1
003984	4	1
003991	6	1
384755	8	1½
004004	10	1½
384762	12	1½
004011	15	1½



LONG PLAIN INCREASER

UPCode 670610	Size	L
003878	2x4	24
003885	3x4	24
003892	4x5	30
003908	*4x6	30

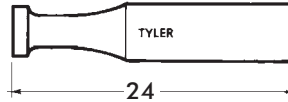
*Not suitable for TY-SEAL Joint.
**Bead on 4" End.



VENT BRANCH

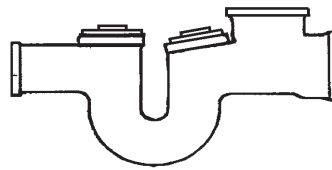
UPCode 067610	Size
002215	4

**SV (SERVICE) ASA GROUP 021
REDUCERS, INCREASERS, DBL. HUBS, TRAPS**



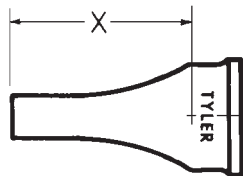
TAPPED LONG INCREASER

UPCode 670610	Size
003939	2x4



**COMBINATION TRAP & TEE
with 2 - 3½ A Plugs**

UPCode 670610	Size	Tap
112518	4x3	3½

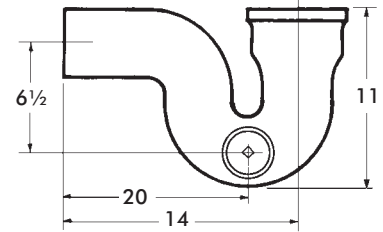


REGULAR INCREASER*

UPCode 670610	Size	X
045939	2x4	9
003809	3x4	9
003816	4x5	9
003823	4x6	9
003830	4x8	12
277248	5x6	9½
003847	6x8	12
384724	8x10	12
003854	10x12	12
003861	12x15	12

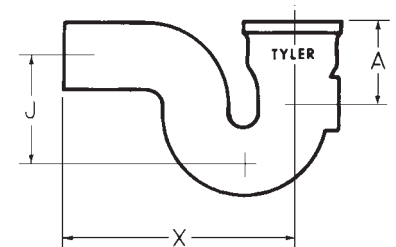
*The first size shown is the spigot end.

RH Shown



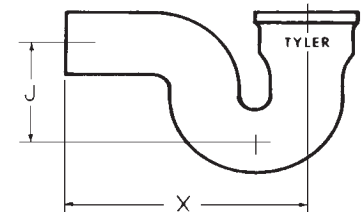
**"P" TRAP W/3"
CLEANOUT TAP, R, L**

UPCode 067610	Size
384779	4RH
384786	4LH



"P" TRAP w/½" HEEL TAP

UPCode 067610	Size	X	J	A
004813	2	9½	4	3
004820	3	12	5½	3½
004837	4	14	6½	3½



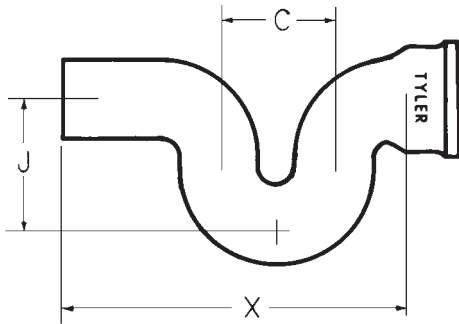
"P" TRAP

UPCode 067610	Size	X	J
004486	2	9½	4
004493	3	12	5½
004509	4	14	6½
004516	5	15½	7½
004523	6	17	8½
004530	8	22 ⅛	11½
004547	10	25	14



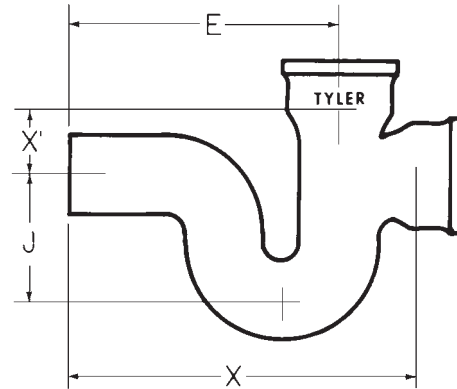
PIPE & COUPLING

SV (SERVICE) ASA GROUP 021 TRAPS



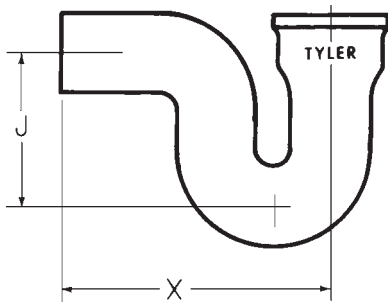
RUNNING TRAP

UPCode 067610	Size	X	C	J
004578	4	17½	6	6½
004585	6	21½	8	8½



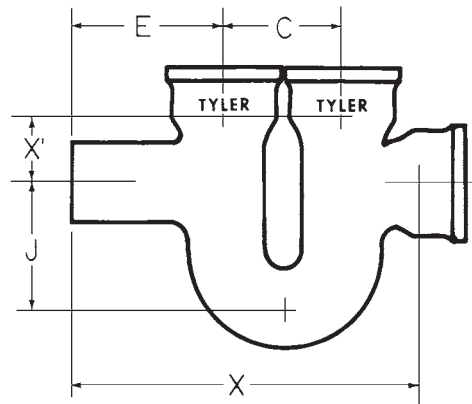
RUNNING TRAP w/HUB VENT

UPCode 067610	Size	(Vent)	X	X'	E	J
004615	3	(3)	15	2½	12	5½
004622	4	(4)	17½	3	14	6½
004639	5	(4)	19½	3½	15½	7½
004646	6	(4)	21½	4	17	8½
004660	8	(6)	27⅝	5¾	22	11
004677	10	(8)	31⅝	6¼	25	13
004684	12	(10)	38¾	7¼	31½	15
004691	15	(12)	45¾	8¾	35¾	18½



DEEP SEAL "P" TRAP

UPCode 067610	Size	X	J
004844	2	9½	6
004851	3	12	7
004868	4	14	8
382614	6	17	9



RUNNING TRAP w/TWO HUB VENTS

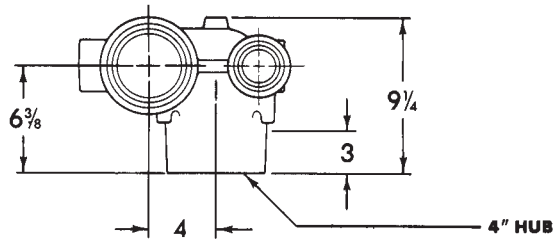
UPCode 067610	Size	(Vents)	X	X'	C	E	J
004707	3	(3-3)	15	2½	5	7	5½
004714	4	(4-4)	17½	3	6	8	6½
004721	5x4	(4-4)	19½	3½	7	8½	7½
004738	5	(4-4)	19½	3½	7	8½	7½
004745	6	(4-4)	21½	4	8	9	8½
053880	8	(4-4)	27⅝	5¼	10	12	11
004752	6	(6-6)	21½	4	8	9	8½
004769	8	(6-6)	27⅝	5¼	10	12	11
004776	10	(8-8)	31⅝	6¼	12	13	13
004783	12	(10-10)	38¾	7¼	15	16½	15
004790	15	(12-12)	45¾	8¾	18½	17¼	18½



PIPE & COUPLING

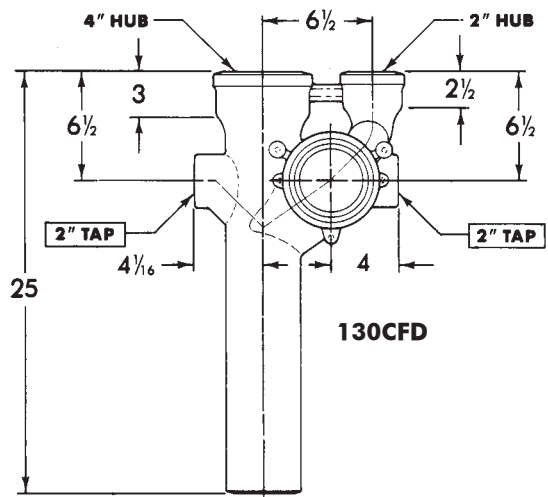
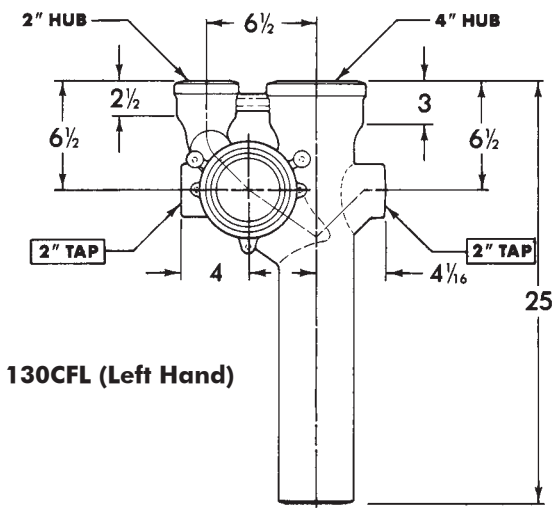
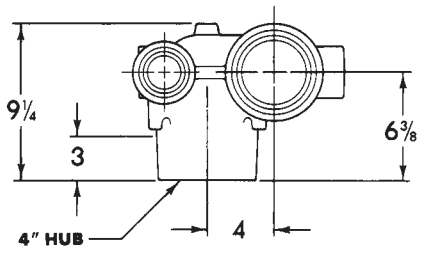
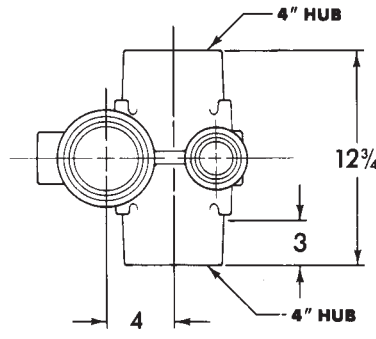
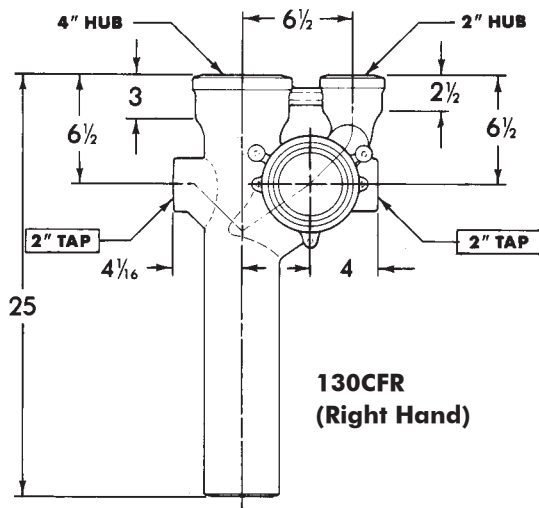
CHICAGO RUFWALL SPECIAL FITTINGS

Note: For typical applications, consult your local Tyler representative.



4" Floor Outlet Closet Fittings
4" caulk hub W.C. connections
w/front & back
2" Waste Tee Taps

UPCode	Item
67061	
107231	130CFR
107248	130CFL
107262	130CFD





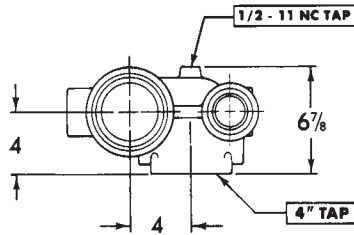
PIPE & COUPLING

CHICAGO RUFWALL SPECIAL FITTINGS

Note: For typical applications, consult your local Tyler representative.

4" Back Outlet Closet Fitting
4" Tap W.C. connections
w/front & back 2" Waste Tee Tap
and 2" Wye Tap on Stack Front

UPCode	Item
67061	
005667	130CBR
005674	130CBL
005681	130CBD

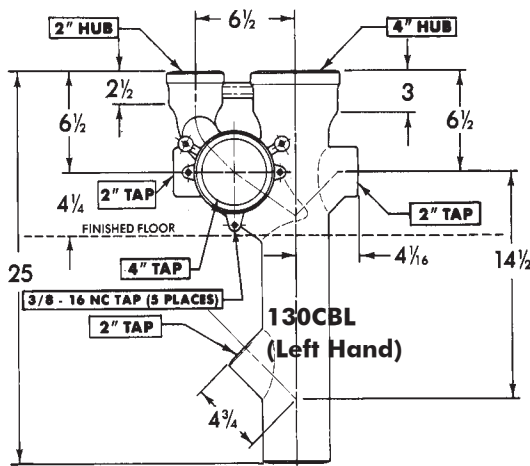
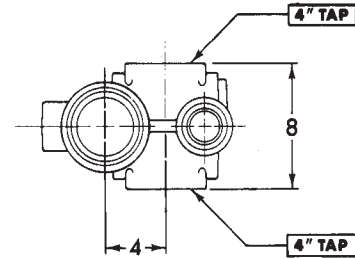
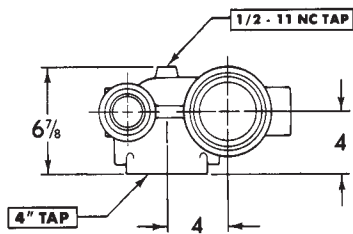
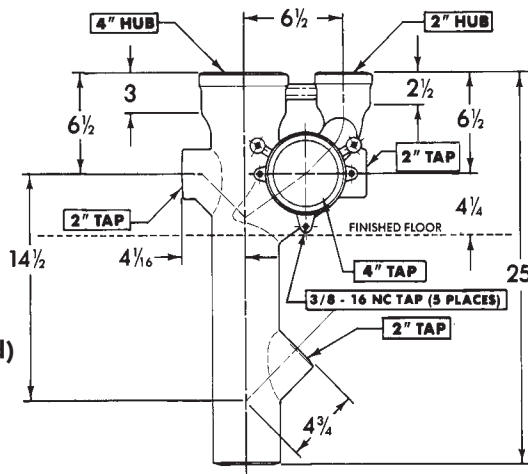


4" Back Outlet Closet Fitting
4" Tap W.C. connections
w/front & back 2" Waste Tee Tap

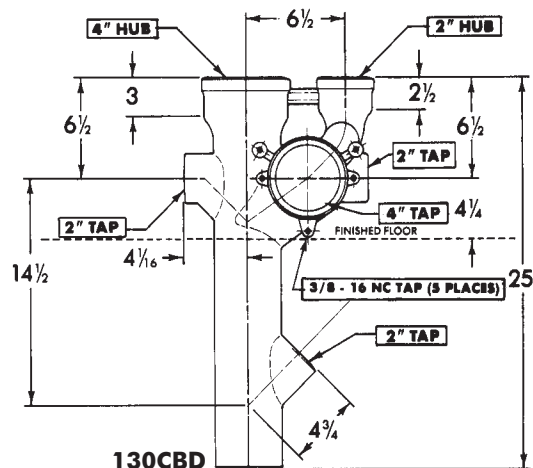
UPCode	Item
67061	
243854	130CBR-MOD*
243847	130CBL-MOD*

*(MOD = No Wye Tap, No Boss)

130CBR
(Right Hand)



130CBL
(Left Hand)



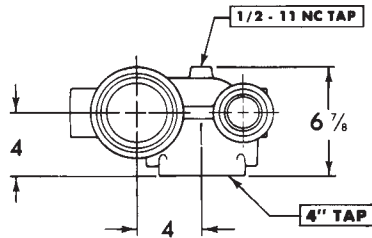
130CBD



PIPE & COUPLING

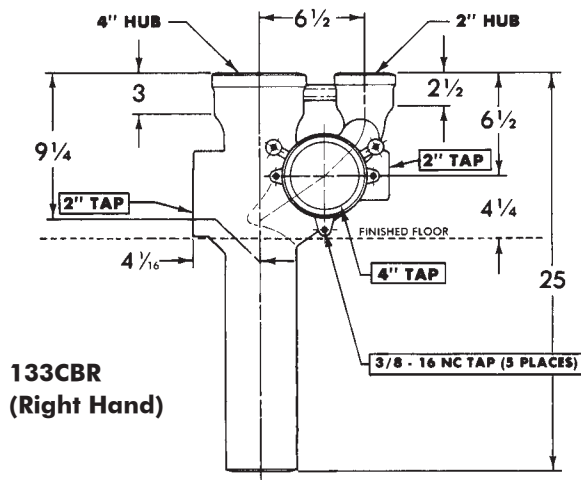
CHICAGO RUFWALL SPECIAL FITTINGS

Note: For typical applications, consult your local Tyler representative.

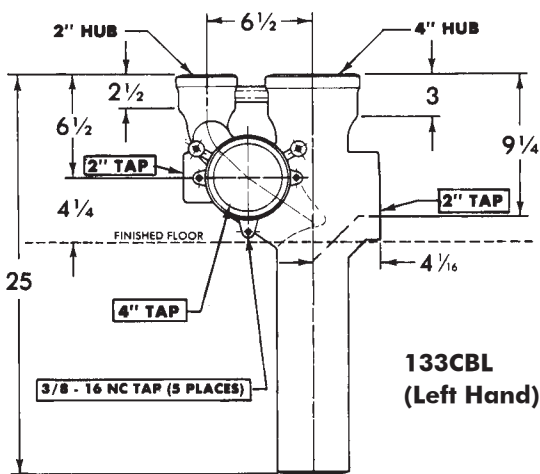
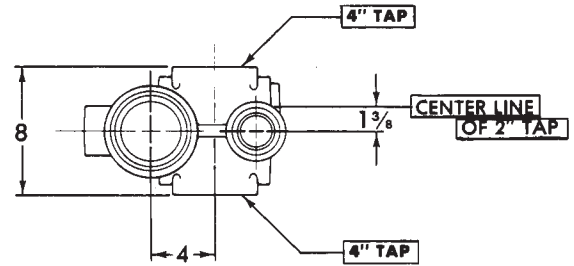
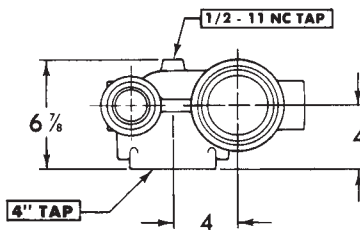


**4" Back Outlet,
4" Tap W.C. connections
w/two 2" Waste Tee Taps**

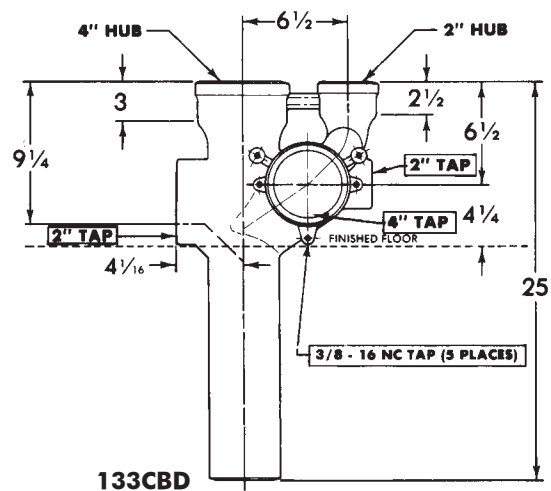
UPCode	Item
67061	
107170	133CBR
107217	133CBL
107255	133CBD



**133CBR
(Right Hand)**



**133CBL
(Left Hand)**



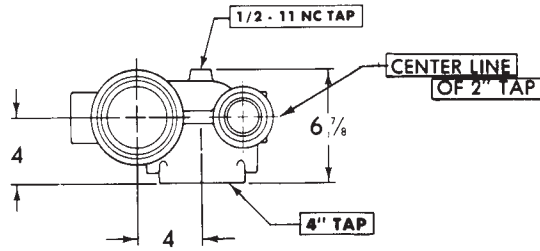
133CBD



PIPE & COUPLING

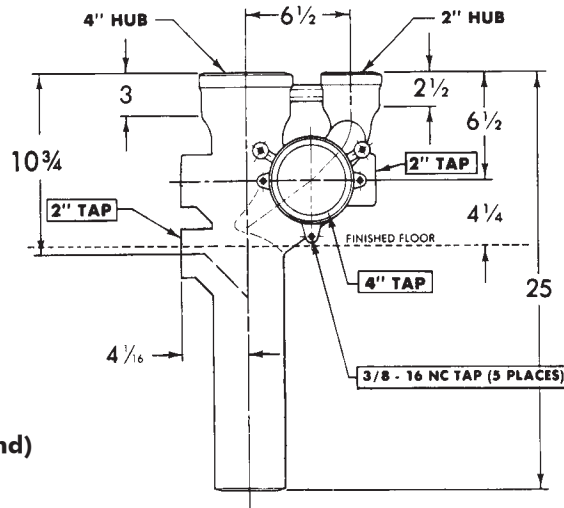
CHICAGO RUFWALL SPECIAL FITTINGS

Note: For typical applications, consult your local Tyler representative.

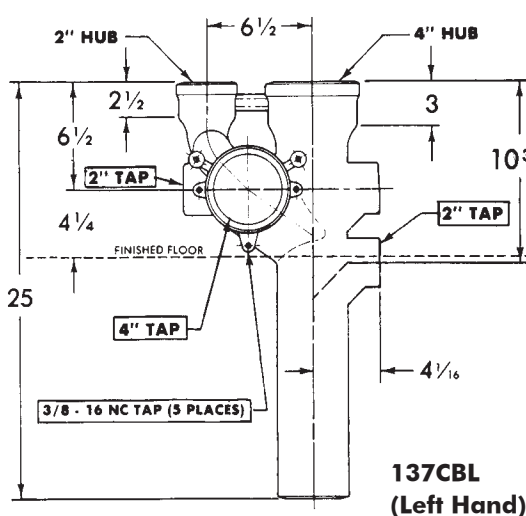
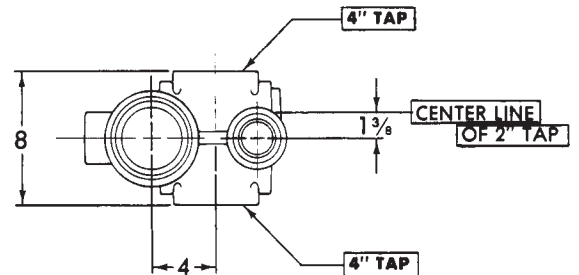
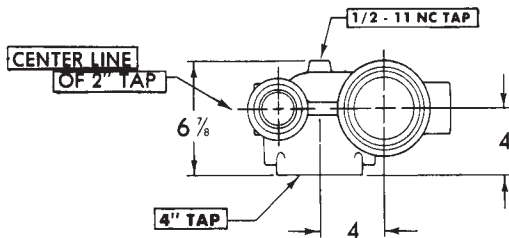


**4" Back Outlet,
4" Tap W.C. connections
w/two or three Waste Tee Taps,
2" Waste Tee Tap on floor line**

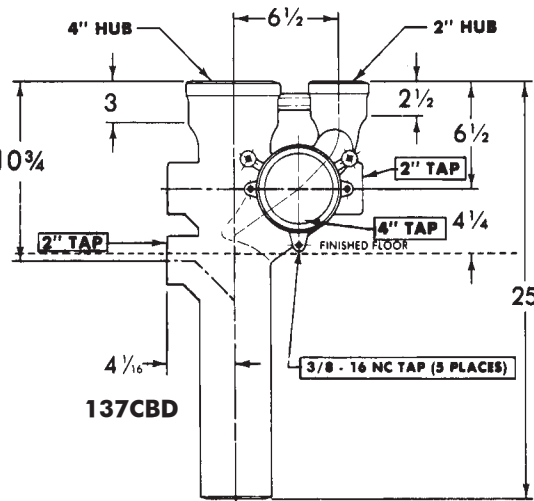
UPCode	Item
67061	
005735	137CBR
005742	137CBL
005759	137CBD



**137CBR
(Right Hand)**



**137CBL
(Left Hand)**



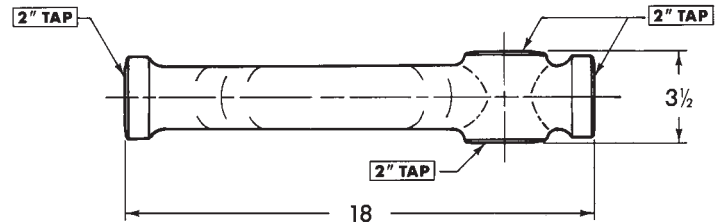
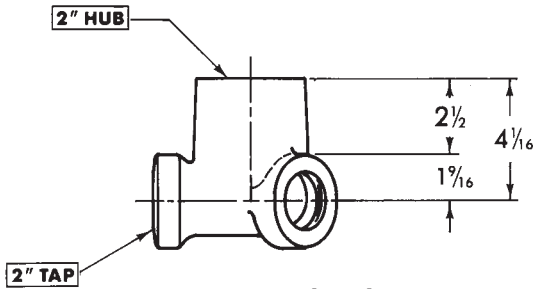
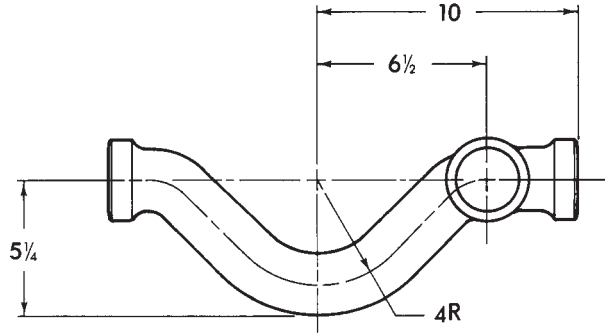
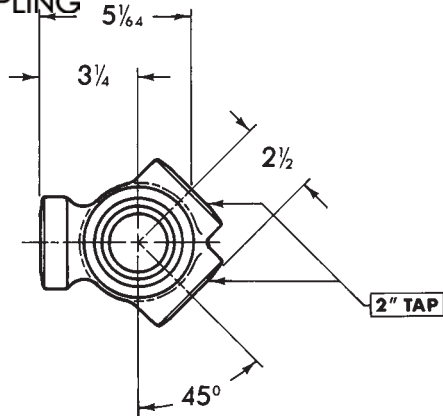
137CBD



CHICAGO RUFWALL SPECIAL FITTINGS

Note: For typical applications, consult your local Tyler representative.

PIPE & COUPLING

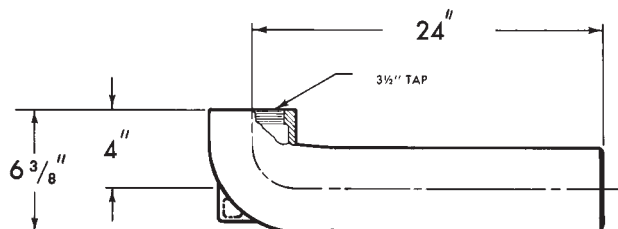
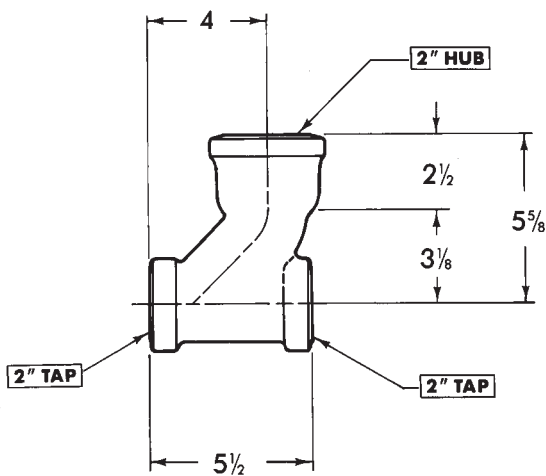


**2" Tapped Bath Wye
w/2" Hub Vent**

**2" Tapped Vent Bypass
w/two 2" side taps**

UPCode	Item
67061	
005766	555C

UPCode	Item
67061	
005780	233C



**2" Tapped Long Sweep Tee
(Taps on Run, Hub on Rise)**

**Tapped Closet Bends
(4" Spigot, 3 1/2" on Rise)
3 1/2" Plug Not Included**

UPCode	Item
67061	
005773	491C

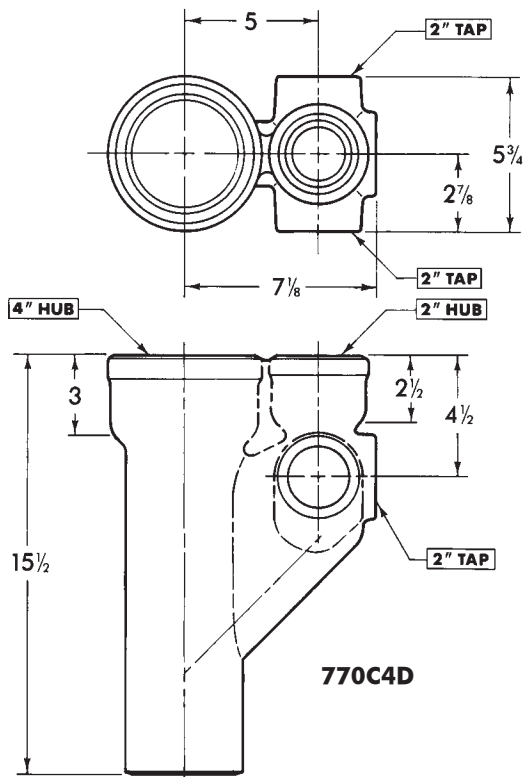
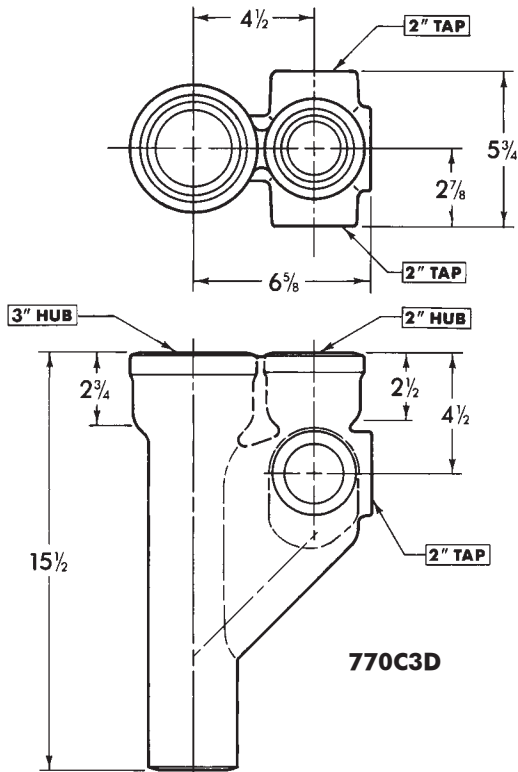
UPCode	Item	Size
67061		
005803	410C	3 1/2x4-24



PIPE & COUPLING

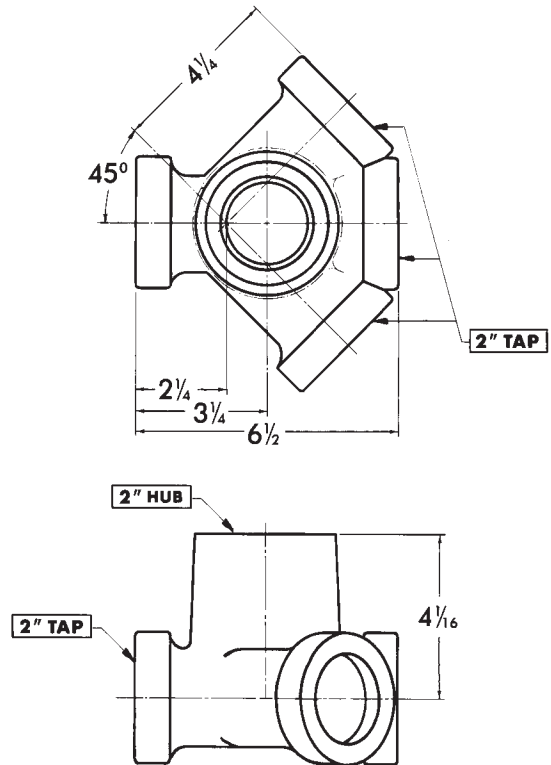
CHICAGO RUFWALL SPECIAL FITTINGS

NOTE: FOR TYPICAL APPLICATIONS, CONSULT YOUR LOCAL TYLER REPRESENTATIVE.



**Sink Stack
w/three 2" Waste Taps**

UPCode	Item	Size
67061		
005810	770C2D	2x1 1/2
005827	770C3D	3x2
005834	770C4D	4x2



**2" Tapped Double Wye
w/2" Hub Vent**

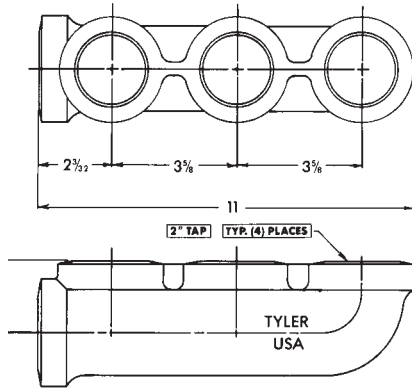
UPCode	Item
67061	
005841	560



PIPE & COUPLING

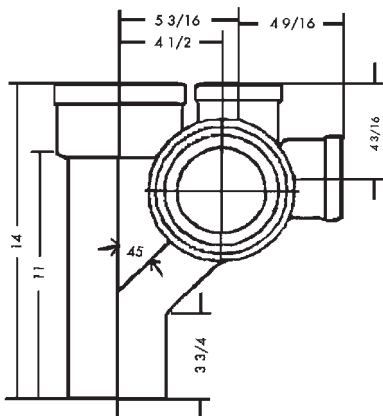
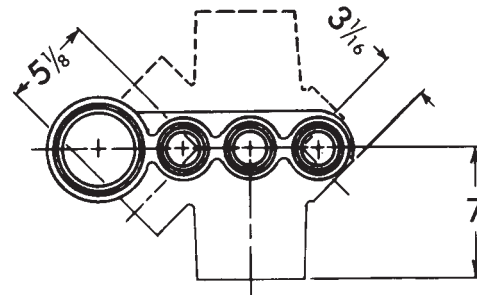
CHICAGO RUFWALL SPECIAL FITTINGS

Note: For typical applications, consult your local Tyler representative.



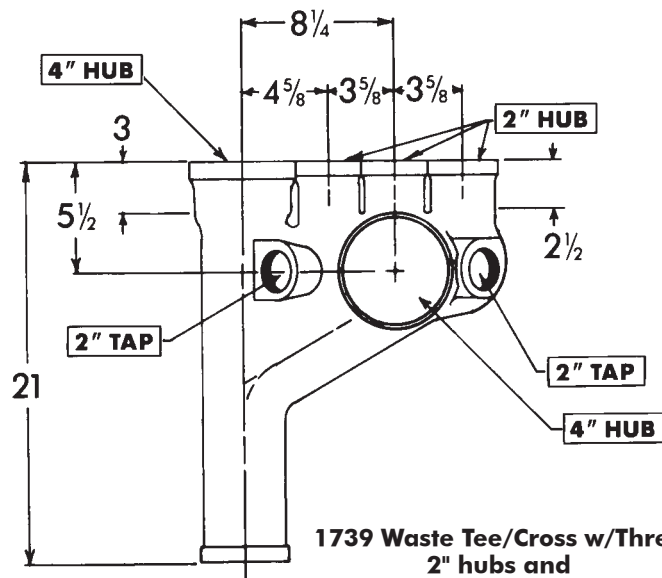
**2" Manifolds
w/three 2" Tee Taps**

UPCode	Item
67061	
005889	1801



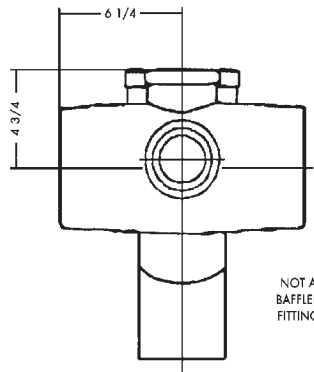
**SV 458 Vented Closet Tee
with 2" Top Vent
and 2" Extended Side Inlet
Right Hand or Left Hand
(ILLUSTRATION SHOWS RIGHT HAND)**

UPCode	Size
67061	
005575	4x4x2x2x4 RH
005582	4x4x2x2x4 LH



**1739 Waste Tee/Cross w/Three
2" hubs and
Two 2" Waste Tee Taps**

UPCode	Item
67061	
005858	1739R
005865	1739L
005872	1739D



**SV459D Vented Closet Cross
with 2" Top Vent
and 2" Extended Side Inlet**

UPCode	Size
67061	
005599	4x4x2x2x4

NOT A
BAFFLED
FITTING



PIPE & COUPLING

NO-HUB & TRANSITION COUPLINGS & TORQUE WRENCH



1 1/2" - 4"



5" - 10"

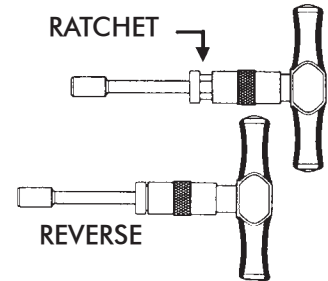


12" & 15"

NO-HUB COUPLING ASSEMBLY

UPCode 670610	Size & Description	Carton Quantity	Pallet Quantity
006206	1 1/2	100	3600
006213	2x1 1/2	100	3600
006220	2	100	3600
006237	3x2	100	2400
006244	3	100	2400
006251	4x3	60	1440
006268	4	100	1600
006275	5	20	480
006282	6	25	450
006299	8	10	200
006305	10	10	120
376569	12*	2	48
376576	15*	2	48

*ANACO Couplings



TORQUE WRENCH
60-inch Pounds

UPCode
670610

006558



Cast Iron-To-Copper Transition Couplings

UPCode 670610	Size
006152	2x1 1/2
006169	2x2
006176	3x1 1/2
006183	3x2
006190	3x3

"Tyler Pipe Company strongly recommends that its hubless cast iron pipe and fittings be joined with shielded couplings manufactured in accordance with CISPI 310. The use of unshielded couplings or any coupling not meeting the above specifications will void the product warranty"



PIPE & COUPLING

**SV (SERVICE) GASKETS,
GASKET LUBRICANTS**

TY-SEAL

UPCode 670610	Ea. Size	Carton Quantity	Pallet Quantity
004875	2	60	2880
004882	3	40	1600
004899	4	40	1280
004905	5	30	600
004912	6	30	600
004929	8	20	320
004936	10	10	270
004943	12	10	270
014959	15	10	120



EZ-TITE

UPCode 670610	Ea. Size	Carton Quantity	Pallet Quantity
004950	2	60	2880
004967	3	40	1600
004974	4	40	1280
004981	5	30	600
004998	6	30	600

NOTE: Adhesive lubricants are required for TY-SEAL and EZ-TITE gaskets in sizes 5-inch and larger diameters.

LUBRI/FAST® LUBRICANT

UPCode 670610	Size
005148	Quart



LUBRI/FAST

- The unique LUBRI/FAST® formula makes joining TY-SEAL gaskets easier and faster because it's so slick! Applied as a liquid, LUBRI/FAST® actually reduces joining forces required; then it literally "fastens" the joint.
- LUBRI/FAST® is applied with an ordinary paint brush. It may be used for joining all pipe and fittings, and is **required** for joining all larger diameters 5" through 15".



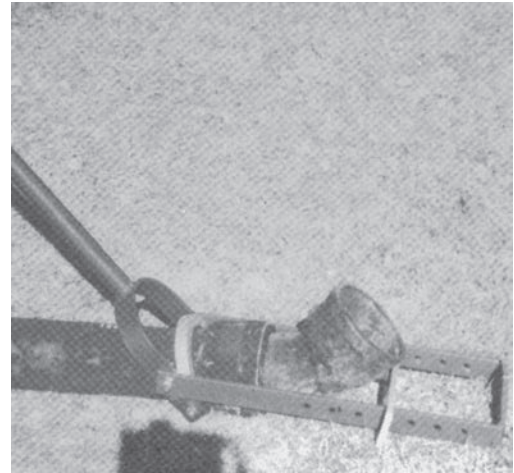
**TY-SEAL®
LUBRICANT**

UPCode 670610	Size
005117	Quart
005124	Gallon

- An excellent water-soluble joint compound, TY-SEAL LUBRICANT has demonstrated its efficiency in millions of joints.
- Quick and easy to use under all conditions... even under water!
- Available in quarts and gallons.



To Assemble Fittings
Place yoke behind hub, adjust bar to length of fitting and pull handle to join in soil pipe.



Horizontal Fitting Assembly



Vertical Fitting Assembly

Soil Pipe Puller

UPC #	Size
005155	2-3-4
393948	5-6-8

Accessories

UPC#	Size	Description
005179	4	Yoke
005216	8	Yoke
005193	2-3-4	Chain
393993	5-6-8	Chain

Individual Adaptors

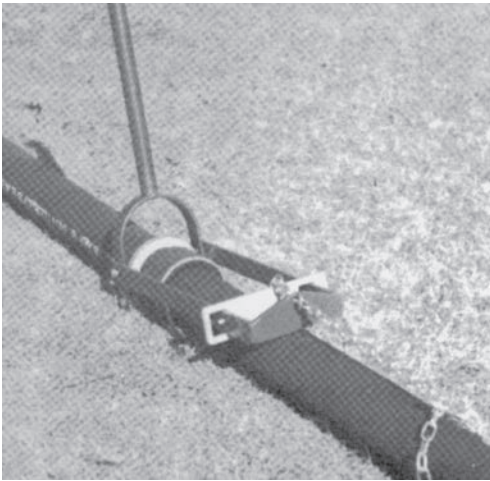
Size	Adapter
4x2	Adapter
4x3	Adapter
8x6	Adapter
8x5	Adapter



PIPE & COUPLING

**To Assemble
Pipe**

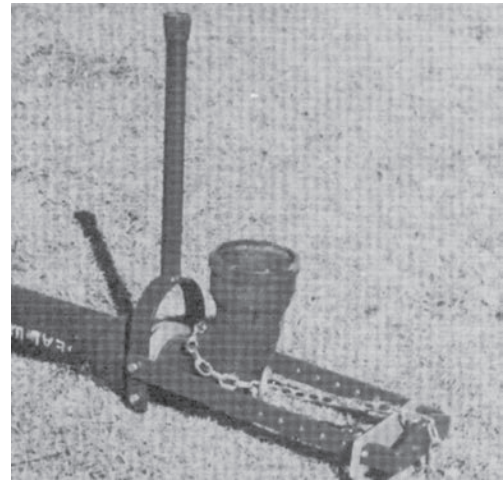
Place yoke behind hub,
fasten chain through slot and
hook on to end of pipe and
pull handle to join.



Horizontal Pipe Assembly

**To Disassemble
Fittings and Pipe**

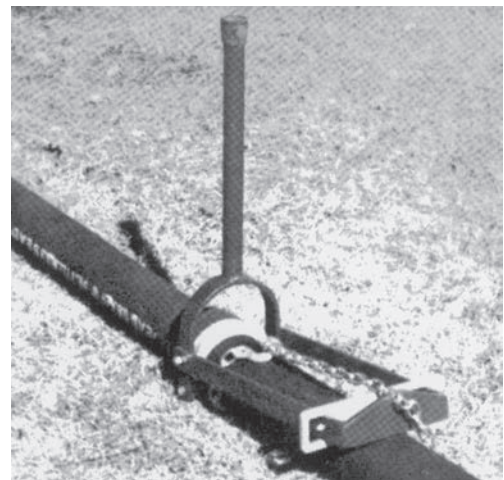
Place yoke in front of hub,
hook chain around fitting, and
place in slot at end of bar. Push
handle to release fitting



Fitting Disassembly



Vertical Pipe Assembly



Pipe Disassembly

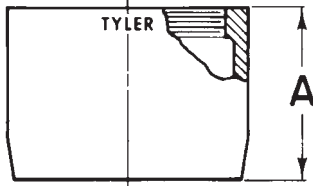


PIPE & COUPLING

FERRULES, CLEANOUTS, ADAPTORS

CLEANOUT BODIES

Standard Ferrule 2-11 is made according to Soil Pipe Standards. It is approved for use in all areas where codes do not require special local designs. Tapping sizes 2½, 3½, 4, 5 and 6 will admit conventional full opening test plugs.

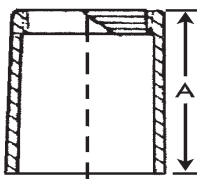


2-11 STANDARD FERRULE

UPCode 670610	Pipe Size	Tap Size	A
023210	2	1½	3½
023234	3	2½	3¾
023258	4	3	3¼
023272	4	3½	4¼
023296	5	4	4¼
023319	6	5	4¼
023333	8	6	4½
023357	10	6	4½
023388	12	6	5¼
023364	15	6	5¼

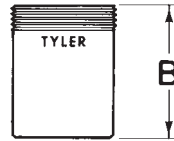
2-11 STANDARD FERRULE W/ TYPE A PLUG

UPCode 670610	Pipe Size	Tap Size	A
023395	2	1½	3½
023425	3	2½	3¾
023456	4	3	3¼
023487	4	3½	4¼
023517	5	4	4¼
023548	6	5	4¼
023586	8	6	4½
023609	10	6	4½
023630	12	6	5¼
023616	15	6	5¼



SV TAPPED SPIGOT

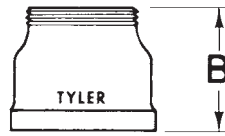
UPCode 670610	Size	A
111719	4x2	4¼



2-41 SPIGOT ADAPTOR (SV or No-Hub)

UPCode
670610 SP - IPB

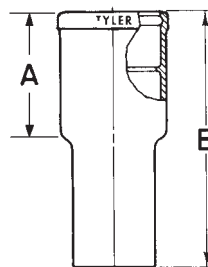
024446	2-2	5½
024453	3-3	5½
024460	4-4	5½



2-40 HUB ADAPTOR Not Suitable for Ty-Seal®

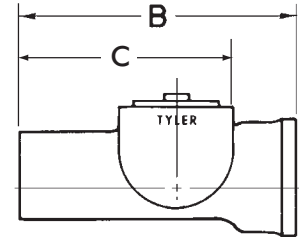
UPCode
670610 Hub - IPB

022121	2-2	4¾
022138	3-3	4¾
022145	4-4	4¾



INSERTABLE JOINT (SV Only)

UPCode 670610	Size	A	B
428336	2	6	14
428336	2	6	14
024415	3	8	16
024422	4	7	14½
384731	5	9	15¾
383178	6	8½	16¾
102717	8	10	18



2-70 TEST TEE (SV Less Plug)

UPCode 670610	Pipe Size	Tap Size	B	C
024507	2	2	8	6¼
024521	3	3	10⅞	7¾
024545	4	3½	11⅞	8
024569	*4	3½	9	6¼
024583	4	4	11⅞	8
024576	*4	4	9	6¼
024606	5	5	11	7
024613	6	6	13	8¾
024637	8	8	16¾	11
024668	10	10	17⅝	11

2-70 TEST TEE W/ TYPE A PLUG

UPCode 670610	Pipe Size	Tap Size	B	C
024675	2	2	8	6¼
024699	3	3	10⅞	7¾
024750	4	3½	11⅞	8
024712	*4	3½	9	6¼
024774	4	4	11⅞	7
024736	*4	4	9	6¼
024798	5	5	11	7
024811	6	6	13	8¾
024835	8	8	16¾	11
025436	**10	10	17¾	11
383079	†12	8	18½	13

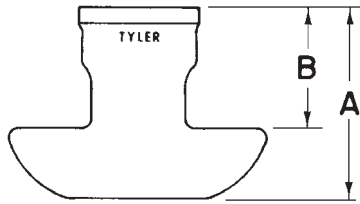
*Short Laying Length

**Type "O" Plug Furnished

† Southern Raised Head



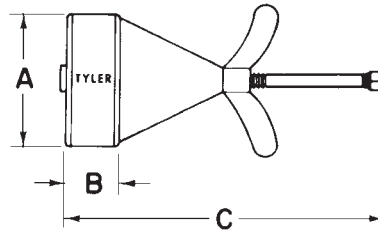
PIPE & COUPLING



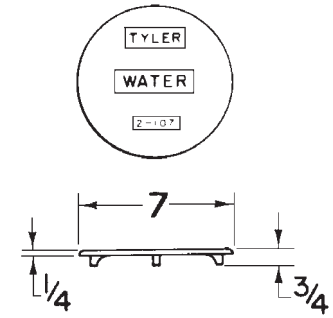
2-105 SEWER SADDLE

UPCode 670610	Size	A	B
025498	6x4	6	3½

TEST TEES & PLUGS, SADDLES, DROP LID

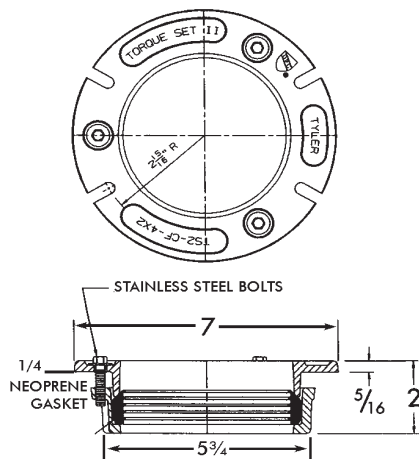


2-90 WING NUT TEST PLUG

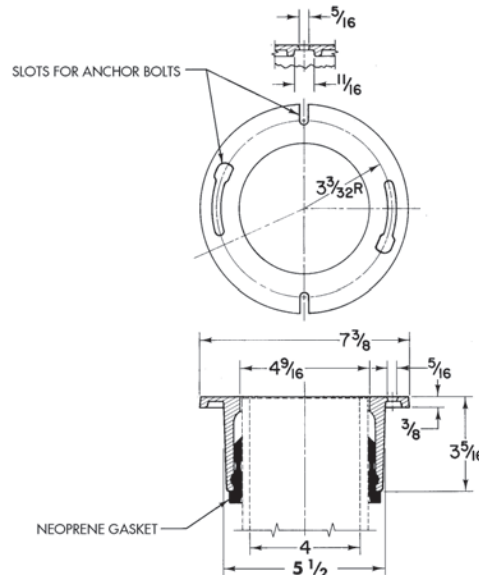


**2-107 DROP LID
Fits 6" Spigot**

UPCode 670610	Item	Size	A	B	C	UPCode 670610
022503	2-91	1½	1⅜	1	10¾	022831
022510	2-92	2	1⅞	1	10¾	
022527	2-93	3	2⅞	1½	11½	
022534	2-94	4	3⅝	2⅞	12½	
022541	2-95	5	4½	2⅞	17½	
022558	2-96	6	5½	2⅞	17½	
022565	2-98	8	7⅝	2⅞	17½	
022572	2-90-0	10	9⅝	3⅞	18	
022589	2-90-2	12	11¾	3½	15	
022596	2-90-5	15	14¾	3½	15	



**2-252S
Torque Set Closet Flange
Fits 4" No-Hub or SV Pipe**



**2-252TY*
Push-On Closet Flange**

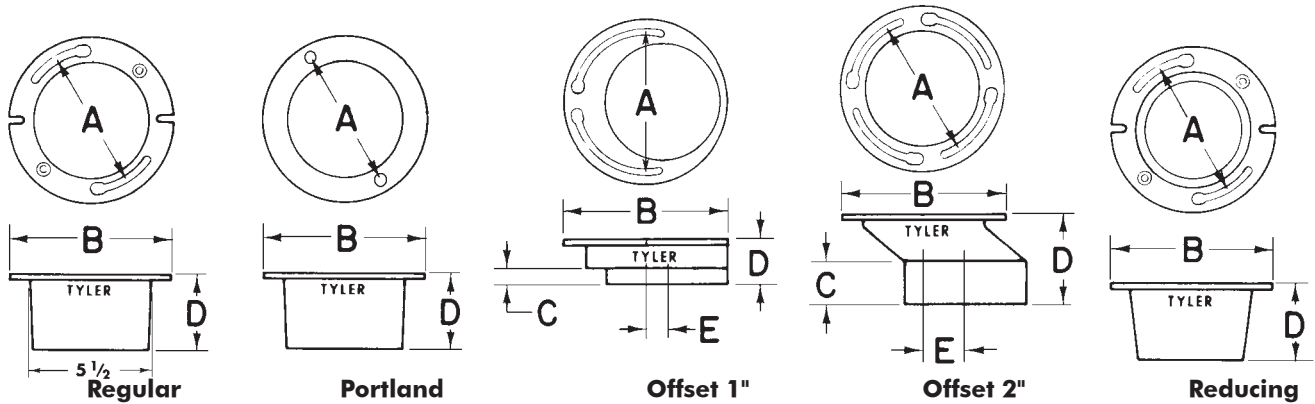
UPCode 670610	Item	Size
022992	2-252TS	4x2 Torque Set
022954	2-252TY	4 Ty-Seal Hub*

*For minimum dimensions installed, see page 51



PIPE & COUPLING

2-252 SERIES CLOSET FLANGES



2-252 CLOSET FLANGE (Caulk Joint Application)

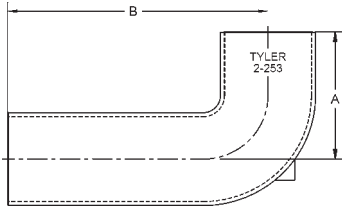
UPCode 670610	Size x Height	A	B	C	D	E
022848	4x1	6 $\frac{1}{4}$	7 $\frac{1}{4}$...	1	...
022855	4x1 $\frac{1}{2}$	6 $\frac{1}{4}$	7 $\frac{1}{4}$...	1 $\frac{1}{2}$...
022862	4x2	6 $\frac{1}{4}$	7 $\frac{1}{4}$...	2	...
022923*	4x2	6 $\frac{1}{8}$	7 $\frac{1}{4}$...	2	...
022879	4x2 $\frac{1}{2}$	6 $\frac{1}{4}$	7 $\frac{1}{4}$...	2 $\frac{1}{2}$...
022886	4x3	6 $\frac{1}{4}$	7 $\frac{1}{4}$...	3	...
022893	4x4	6 $\frac{1}{4}$	7 $\frac{1}{4}$...	4	...
022930*	4x4	6 $\frac{1}{8}$	7 $\frac{1}{4}$...	4	...
022909	4x5	6 $\frac{1}{4}$	7 $\frac{1}{4}$...	5	...
022916	4x6	6 $\frac{1}{4}$	7 $\frac{1}{4}$...	6	...
022978	4x2, 1" Offset	6	7	$\frac{5}{8}$	2	1
022985	4x4, 2" Offset	6 $\frac{1}{4}$	7 $\frac{1}{4}$	2	4	2
022947	4x3-3" Reducing	6 $\frac{1}{4}$	7 $\frac{1}{4}$...	3	...

*Portland Code, two $\frac{1}{4}$ " taps on top.



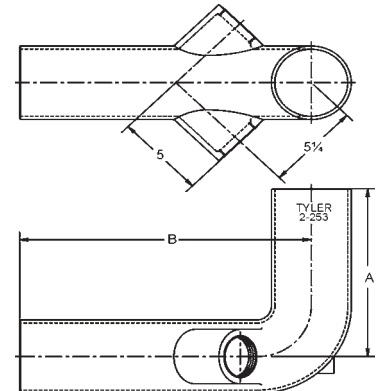
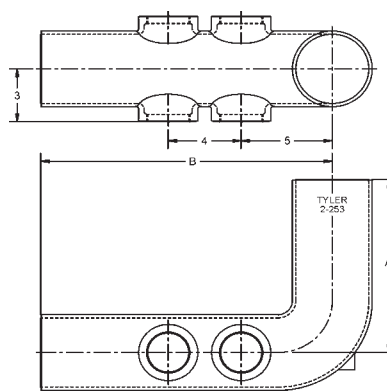
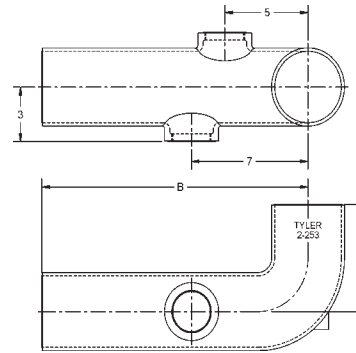
PIPE & COUPLING

PLAIN END CLOSET BENDS



SERIES 2-253 PLAIN END CLOSET BENDS

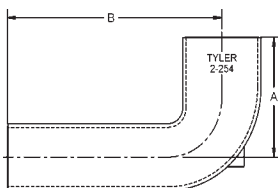
UPCode 670610	Size	Dimension	
		A	B
382621	3	16	16
025504	4	4	12
025511	4	4	14
025528	4	4	16
025535	4	4	18
025542	4	6	12
025566	4	6	15
025573	4	6	16
025580	4	6	18
025733	4	8	16
025757	4	10	12
025771	4	10	16
025788	4	10	18
025795	4	12	12
025801	4	12	14
025818	4	12	16
025825	4	12	18
025832	4	14	16
025849	4	14	18
025856	4	16	16
025863	4	16	18
025962	4	18	18



2-253 NORTHEAST SPECIAL SERIES CLOSET BENDS with 1 1/2" or 2" Side Taps

UPCode 670610	Size	Dimension
		Height(A) & Length(B)-TapWt.
025634	4	6x16xT2-1 1/2,LH,RH
025658	4	6x16xT2-2,LH,RH
276876	4	6x16xT4-1 1/2,2LH,2RH
276883	4	6x16xT4-2,2LH,2RH
277439	4	6x24xT2-1 1/2,LH,RH
025641	4	6x24xT2-2,LH,RH
360537	4	6x2,(NO TAPS)
025917	4	16x16xT2-1 1/2,LH,RH
284789	4	16x16xT4-1 1/2,2LH,2RH
277446	4	16x16xT4-2,2LH,2RH
284819	4	16x16xY2-1 1/2,LH,RH
025955	4	16x16xY2-2,LH,RH

SERIES 2-254 PLAIN END REDUCING CLOSET BENDS

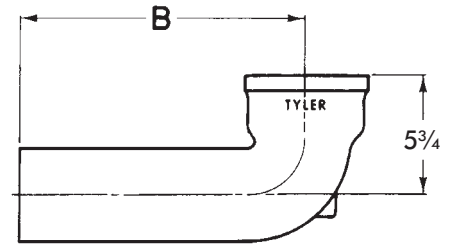


UPCode 670610	Size	Dimension	
		A	B
025979	4x3	6	12
025986	4x3	6	15
025993	4x3	6	16
026006	4x3	6	18
026037	4x3	10	12
026044	4x3	10	15
026068	4x3	10	18
026075	4x3	12	12
026105	4x3	12	18
026099	4x3	16	16
026129	4x3	18	18



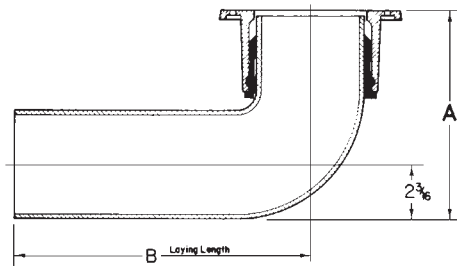
PIPE & COUPLING

**CLOSET BENDS
BRASS CLEANOUT PLUGS**



Example

MINIMUM DIMENSIONS FOR 2-252TY PUSH-ON CLOSET FLANGE WHEN USED WITH 2-253 4" CLOSET BENDS



**PUSH-ON CLOSET FLANGE
INSTALLATION**

2-253 CLOSET BENDS	A	B
4x6	8	12"-18"
4x8	10 1/4	12"-18"
4x10	12 1/4	12"-18"
4x12	14 1/4	12"-18"
4x14	16 1/4	16"-18"
4x16	18 1/4	16"-18"
4x18	20 1/4	18"

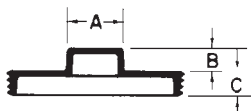
**SERIES 2-256 CLOSET BENDS
SV Only**

UPCode 670610	Size	Dimension B
026136	4	12
026143	4	14
026150	4	16
026167	4	18



**TYPE H
FOUR LUG FLANGE**

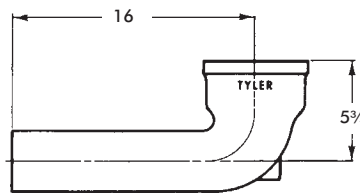
UPCode 670610	IPS	B	C	Lug
333258	2	1/2	5/8	2
333272	3	1/2	5/8	4
333289	3 1/2	1/2	5/8	4
333296	4	5/8	5/8	4
333302	5	3/4	1	4
333319	6	5/8	1	4



**TYPE A
LOW SQUARE HEAD**

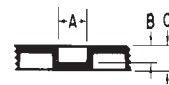
UPCode 670610	IPS	A	B	C
021551	1 1/4	1 1/16	5/16	15/32
021568	1 1/2	3/4	5/16	3/8
021575	2	1 5/16	5/16	7/16
021582	2 1/2	1	5/16	7/16
021599	3	1 1/8	7/16	15/32
021605	3 1/2	1 1/8	3/8	1/2
021612	4	1 3/32	3/8	1/2
021629	5	1 3/8	7/16	1/2
021636	6	1 3/8	1/2	5/8
021643	8	1 5/8	1/2	3/4
021889	10*	2	1	3/4

* Type "O"



**SERIES 2-257
CLOSET BENDS
SV Only**

UPCode 670610	Size
026174	4x3



**TYPE S
PLAIN COUNTERSUNK**

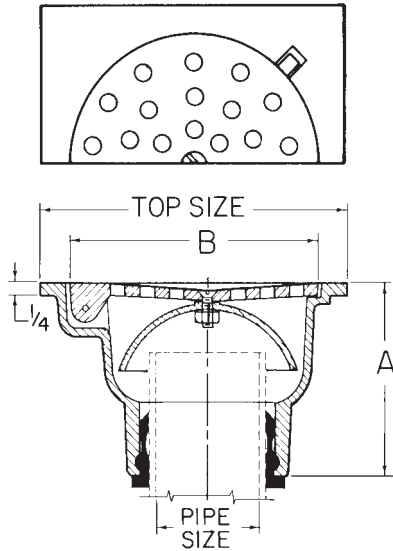
UPCode 670610	IPS	A	B	C
021896	1 1/2	1 1/16	5/16	3/8
021902	2	3/4	5/16	7/16
021919	2 1/2	3/4	5/16	7/16
021926	3	7/8	5/16	15/32
021933	3 1/2	1 5/16	3/8	1/2
021940	4	7/8	3/8	1/2
021957	5	1 1/8	3/8	1/2
021964	6	1 7/16	1/2	5/8
021971	8	1 7/16	1/2	3/4



PIPE & COUPLING

**SERIES 300-TY CESSPOOL OR AREA DRAIN
with HINGED STRAINER (With Bell)**

UPCode 670610	Drain	Outlet	Height Top	Strainer A	Strainer B
026440	TY	2	6x6	4	4 ⁷ / ₈
026488	TY	3	9x9	4 ³ / ₄	6 ⁷ / ₈
026525	TY	4	12x12	5 ¹ / ₄	9 ⁵ / ₈



**SERIES 300-TY CESSPOOL OR AREA DRAIN
With HINGED STRAINER (With Bell)**
Cast Iron Body with Square Top
Perforated Round Hinged Strainer in Cast Iron.
TY-Seal Hub (TY for push-on connection)

**300 PARTS/BELL & SCREW
(FITS ALL 300's)**

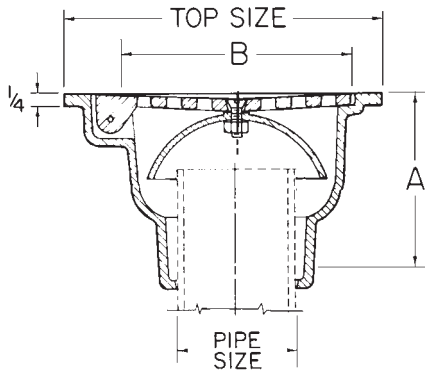
UPCode 670610	Fit Outlet	Bell Size
363323	2	3 ¹ / ₄
363330	3	3 ³ / ₄
363347	4	6

**300 PARTS/HINGED STRAINER,
CAST IRON**

UPCode 670610	Fit Outlet	Strainer Size
026259	2	4 ⁷ / ₈
026358	3	6 ⁷ / ₈
026426	4	9 ⁵ / ₈

**300 PARTS/LOOSE STRAINER,
CAST IRON**

UPCode 670610	Fit Outlet	Strainer Size
026242	2	4 ⁷ / ₈
026365	3	6 ⁷ / ₈
026419	4	9 ⁵ / ₈



**300-IC SERIES CESSPOOL OR AREA DRAIN
with LOOSE STRAINER (With Bell)**
Cast Iron Body with Square Top
Perforated Round Loose removable
Strainer in Cast Iron. Inside Caulk (IC).

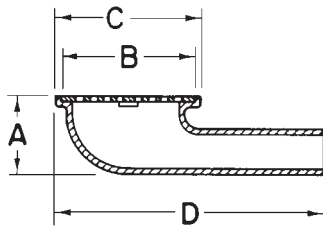
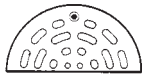
**300-IC SERIES CESSPOOL DRAIN
with LOOSE STRAINER (With Bell)**

UPCode 670610	Drain	Outlet	Height Top	Strainer A	Strainer B
026778	IC	2	6x6	3 ¹ / ₂	4 ⁷ / ₈
026815	IC	3	9x9	5	6 ⁷ / ₈
026853	IC	4	12x12	5	9 ⁵ / ₈



PIPE & COUPLING

DRAINS, BAR GRATES & VENT CAPS



SERIES 400 SIDE OUTLET AREA DRAIN

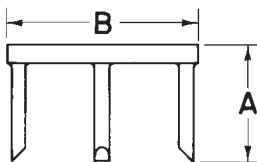
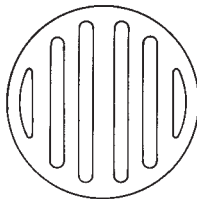
Furnished in Cast Iron Spigot outlet with vandal proof Cast Iron Strainer. Fits TY-SEAL gasket or can be joined with Tyler No-Hub Coupling

UPCode 670610	Outlet	Height A	Strainer B	Top C	Length D
028772	2	3½	6¾	7¾	14
028796	3	5½	8⅞	10	16
028802	4	7	11	12	17



**VENT CAP
W/SET SCREW**

UPCode 670610	Fits Spigot
014591	4

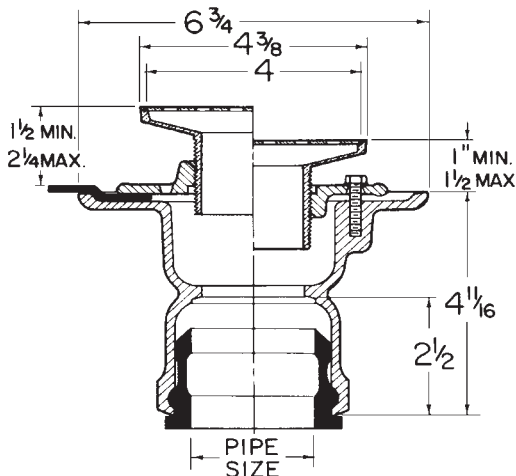


SERIES 547 BAR GRATE with LEGS

Serves as simple drain used in soil pipe hub openings

UPCode 670610	Fit Hub	A	B
027218	3	2.7	3⅞
027232	4	3.0	4⅞
027256	6	3.0	6¾
027270	8	3.5	9¼

SERIES 697-TY PUSH ON SHOWER DRAIN For Composite



Cast Iron Body

Bolted **Clamping Ring** to permit usage with thick flashing materials, reversible for extra height
Collar contains **Weep Holes** for supplemental drainage

Adjustable **Stainless Steel Strainer**

PUSH-ON

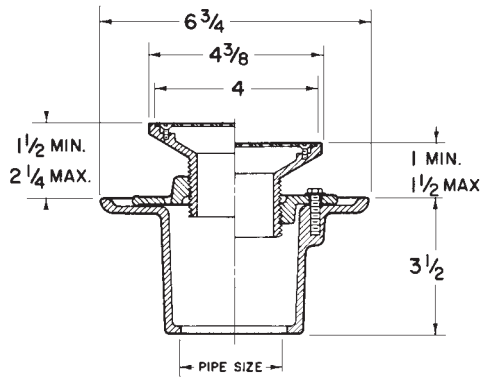
Gasket connection to SV, No-Hub or PVC

UPCode 670610	Pipe Size	Outlet
027485	2	TY



PIPE & COUPLING

SERIES 697-IC SHOWER DRAIN For Compotite



697-IC

Cast Iron Body

Bolted **Clamping Ring** to permit usage with thick flashing materials, reversible for extra height

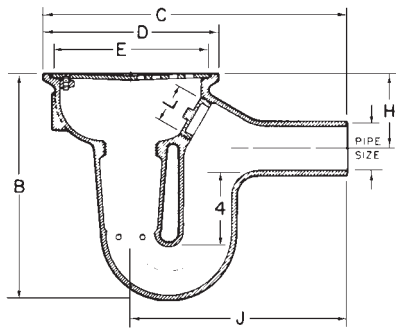
Collar contains **Weep Holes** for supplemental drainage

Adjustable **Stainless Steel Strainer**

Inside Caulk Outlet

UPCode	Pipe Size	Outlet
670610		
027676	2	IC

SERIES 710 FLOOR DRAIN with Integral Trap and concealed Cleanout



710

Cast Iron Body with Integral "P" trap and concealed cleanout opening. Tapped to receive 775 back water valve.

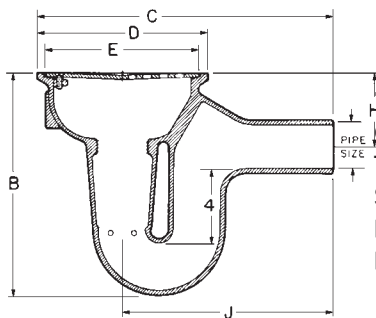
Spigot outlets fits SV **Ty-Seal** gasket joint or may be joined with **No-Hub coupling**.

NOTE: For 775 back water valve, see next page.

DIMENSIONS in Inches

C.I. Strainer UPCode	N/B Strainer UPCode	Outlet	Pipe Size	Height B	Length C	Top D	Strainer E	H	J	Cleanout L
670610	670610									
029007	029021	Spigot	2	9 ³ / ₄	13	7 ¹ / ₂	6 ³ / ₄	3 ¹ / ₄	9 ³ / ₈	1 ¹ / ₂
029076	029083	Spigot	3	11 ⁵ / ₈	18	10	8 ⁷ / ₈	3 ¹ / ₄	13	1 ¹ / ₂
029120	029137	Spigot	4	14 ¹ / ₄	21	12	11	4 ¹ / ₄	15	2

SERIES 713-DS FLOOR DRAIN with Integral Trap



713-DS

Cast Iron Body with Integral "P" trap.

Tapped to receive 775 back water valve.

Spigot outlets fits SV **Ty-Seal** gasket joint or may be joined with **No-Hub coupling**.

NOTE: For 775 back water valve, see next page.

DIMENSIONS in Inches

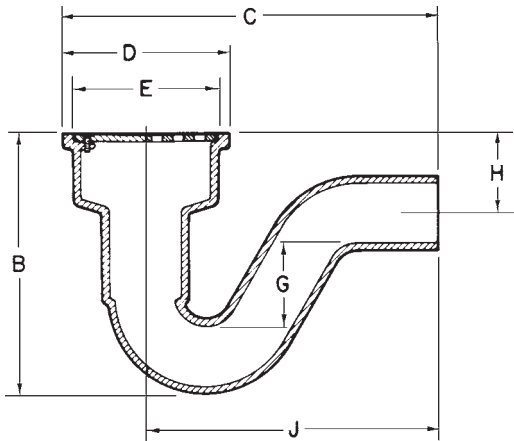
CI Strainer	N/B Strainer	Outlet	Size	Height B	Length C	Top D	Strainer E	H	J
UPCode 670610	UPCode 670610								
027973	027980	SP	3	11 ⁵ / ₈	18	10	8 ⁷ / ₈	3 ¹ / ₄	13



PIPE & COUPLING

FLOOR DRAINS WITH TRAPS, FLOOR DRAIN PARTS, BACKWATER VALVES

SERIES 732 FLOOR DRAIN with Integral Trap



732

Cast Iron Body with Integral P-Trap (**Omaha Code**)

Spigot Outlet only

Shipped with Perforated Cast Iron Strainer, Not Threaded for **Back Water Valve**

Fits SV **Ty-Seal®** gasket or may be joined with Tyler **No-Hub Coupling**

DIMENSIONS in Inches

UPCode 670610	Outlet	Strainer E	Top D	Height B	Length C	Seal G	J	H
029359	2	5	5 ³ / ₄	8 ¹ / ₄	13	2 ¹ / ₂	10 ⁵ / ₈	2 ¹ / ₂

FLOOR DRAIN PARTS

CI Strainer

UPCode 670610	Size	Fits Drain
027737	6 ³ / ₄	402 & 712
027843	8 ⁷ / ₈	403 & 713 & 713-D
027928	11	404 & 714
028055	5	732

N/B Rim & Strainer*

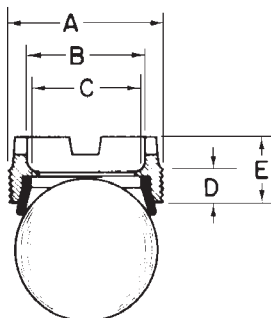
UPCode 670610	Strainer Size	Fits Drain
027812	7 ³ / ₄	712
027874	10 ¹ / ₂	713
027966	12 ¹ / ₄	714

*Includes 2 screws in strainer.

Stainless Steel Strainer

UPCode 670610	Size	Fits Drain
027355	4	667, 690, 695, 697

SERIES 775 BACK WATER VALVES



Furnished with threaded **Brass** spud and neoprene seat with plastic **float**

DIMENSIONS

UPCode 670610	Size	IPS	Width A	ID B	Seat C	Thread D	Base E
028130	2	2	2 ¹ / ₄	1 ⁷ / ₈	1 ⁵ / ₈	1/2	1
028147	3	2 ¹ / ₂	2 ³ / ₄	2 ³ / ₈	1 ³ / ₄	5/16	1 ¹ / ₄



PIPE & COUPLING

FREQUENTLY ASKED QUESTIONS - SOIL DIVISION

1. Question: From what elastomers are the sealing sleeves for the Standard NO-HUB and HUSKY couplings made, and what is the highest water temperature that it will handle?

Answer: The gasket elastomer used in the manufacture of the NO-HUB and HUSKY sealing sleeves is Neoprene in accordance with ASTM C 564. The properties of Neoprene make it suitable for moderate chemicals and acids, oil fats, greases, many solvents and air with hydrocarbons. Neoprene will not support combustion. The maximum temperature that Neoprene will accommodate with continuous service is 203°F. with a maximum intermittent temperature of 212°F. Neoprene is the only gasket elastomer offered with these couplings.

2. Question: From what elastomer are the standard TY-SEAL and EZ-TITE gaskets made and what is the highest water temperature they will handle? Are these gaskets available in other elastomers?

Answer: The elastomer used in the manufacture of the TY-SEAL and EZ-TITE gaskets is Neoprene in accordance with ASTM C 564. The properties of Neoprene make it suitable for moderate chemicals and acids, oil fats, greases, many solvents and air with hydrocarbons. Neoprene will not support combustion. The maximum temperature that Neoprene will accommodate with continuous service is 203°F with a maximum intermittent temperature of 212°F. Neoprene is the only elastomer that Tyler Pipe offers with EZ-TITE gaskets. Tyler does offer the TY-SEAL gaskets in Buna-N (also known as Nitrile or NBR) which afford a 239° continuous service temperature maximum. Buna-N gaskets are suitable for gasoline, diesel, petroleum products, hydrocarbons, mineral water and vegetable oils.

3. Question: What is the pressure rating for the NO-HUB and HUSKY couplings?

Answer: Couplings for Drain, Waste and Vent are not pressure rated. They are designed to hold 4.3 psi (10 ft. of head) for hydrostatic testing purposes as stated in CISPI 310. The NO-HUB, HUSKY 2000 and HUSKY 4000 couplings meet the performance criteria of FM 1680, all classes.

4. Question: What is the pressure rating for the TY-SEAL and EZ-TITE compression gaskets for hub and spigot joints?

Answer: Drain, Waste and Vent compression gaskets for Service Weight pipe and fittings (TY-SEAL and EZ-TITE) are not pressure rated. They are designed to hold 4.3 psi (10 ft. of head) for hydrostatic testing purposes as recommended in the Cast Iron Soil Pipe Institute Handbook.

5. Question: Are the couplings sold by Tyler Pipe for hubless applications UL or FM approved?

Answer: No plumbing code requires UL certification for couplings. All couplings manufactured by Tyler Pipe meet the performance requirements of FM 1680, all classes, however they are not listed by Factory Mutual.



PIPE & COUPLING

6. Question: If there is no pressure rating for TY-SEAL/EZ-TITE Gaskets or NO-HUB couplings, what will keep the joints from separating if a line backs up?

Answer: It is necessary to understand the difference between pressure and thrust. Thrust is equal to the hydrostatic pressure (4.3 psi @ 10 ft. of head) multiplied by the area. As a cylinder is filled with water, thrust forces are exerted on all changes of direction, bends, branches, fittings with reductions and ends of runs, These locations must be restrained in order to prevent joint movement or separation. On a vertical run, the weight of the pipe helps to stabilize the joints on the run, but proper restraints are still necessary.

7. Question: Are the couplings sold by Tyler Pipe for hubless applications fire protection rated?

Answer: No. Since the Neoprene sleeve is completely protected by a non-flammable stainless steel shield, fire rating is not required.

8. Question: Is adhesive lubricant required to join SV pipe and fittings with TY-SEAL or EZ-TITE gaskets?

Answer: Tyler Pipe requires the use of adhesive lubricants for sizes 5" diameter and larger. On sizes 2" through 4", regular non-adhesive lubricant may be used.

9. Question: Does Tyler sell an adhesive lubricant?

Answer: Yes. Tyler offers LUBRIFAST® LUBRICANT which affords easy installation application while literally "fastening" the joint.

10. Question: Can I use an adhesive lubricant with NO-HUB couplings?

Answer: Tyler Pipe Company does not require or encourage the application of any type of lubricant with NO-HUB couplings. Although lubricants will have no adverse effect on cast iron pipe and fittings or the Neoprene sleeve of the coupling, some codes will not allow any lubricant to be applied to NO-HUB couplings. Before using any lubricant with NO-HUB or any other hubless coupling connector, check the applicable codes for restrictions.

11. Question: What is the maximum deflection of an SV or NO-HUB joint?

Answer: 5° per joint is the maximum allowable deflection for SV and NO-HUB connections.

12. Question: What coating does Tyler apply to its pipe and fittings?

Answer: Tyler Pipe applies a smooth even layer of bituminous petroleum asphalt coating through a dipping process for each piece of SV and NH pipe and all fittings. This coating affords a measure of corrosion protection as well adding cosmetic value.

13. Question: What is Tyler's recommended procedure for hydrostatic testing of SV and NH pipe?

Answer: Ten feet of head for 15 minutes, properly restrained, as referenced in the Cast Iron Soil Pipe Institute Handbook.

14. Question: Can Tyler Pipe's hubless pipe, fittings and NO-HUB Couplings be used below grade?

Answer: Yes! None of the model codes place any restriction(s) on the use of hubless pipe, fittings or couplings below grade. However, it is advised to first check with the local jurisdictional code before installation to ensure that no local restrictions have been placed on hubless below grade applications.



PIPE & COUPLING

SUBMITTAL EZ-TIGHT GASKETS

Tyler Pipe/Soil Pipe Division • 11910 CR 492 • Tyler, TX 75706 • (800) 527-8478



Bracing:

To prevent movement, horizontal pipe and fittings 5" and larger should be suitably braced by the use of blocks, rodding or other suitable methods at every branch or change of direction.

Test:

For best results, test one floor (ten feet) at a time. The system should be properly restrained; all bends, changes of direction and ends of runs should be restrained.

Gasket Material:

Ez-Tight gaskets are made of Neoprene as the sole elastomer. The physical characteristics of the Neoprene ensure that the gasket will not decay or deteriorate from contact with effluents in the pipe or chemicals in the soil or air around the pipe.

Description:

Ez-Tight is a one-piece compression gasket. It is used for joining hub and spigot cast iron soil pipe and fittings made according to ASTM A 74.

Gasket Specification:

Ez-Tight gaskets conform strictly to ASTM Standard C 564, latest issue.

Joint Characteristics:

Gasket joints will not leak even if deflected as much as 5 degrees, or when subjected to vibration, seismic tremors, expansion, contraction, external or internal test pressure.

Physical Properties:

Property		Performance Requirement		ASTM Test Method
Hardness (nominal durometer ± 5) as specified by the pipe manufacturer	50	60	70	D2240
Elongation, min, percent	350	300	250	D412
Tensile strength, min, psi (MPa)	1500	1500 (10)	1500 (10)	D412 (10)
Tear Resistance, min, lbf/in. (N/cm)	150 (268)	150 (268)	150 (268)	D624
Compression set, max, percent	25	25	25	D395
Heat aging, 96 h at 158° \pm 2° F (70° \pm 1° C)				D573
Hardness, increase, max, durometer points	10	10	10	
Loss in tensile strength, max, percent	15	15	15	
Loss in elongation, max, percent	20	20	20	
Water absorption: Weight increase, max, percent	20	20	D471 20	
Ozone resistance no cracks	no cracks	no cracks	D1149 80	D471
Oil immersion: Volume increase, max, percent	80	80	80	

NOTE: An adhesive lubricant is required for TY-SEAL and EZ-TITE gasket sizes 5-inch and larger diameters. Tyler offers LUBRI/FAST® LUBRICIANT for this application.

How to Specify:

All 2-inch through 6-inch hub and spigot cast iron soil pipe and fittings shall conform to ASTM A 74; joints shall be made either by caulked lead and oakum or by compression gaskets which conform to ASTM C 564.



SUBMITTAL TY-SEAL GASKETS, HUB & SPIGOT CAST IRON SOIL PIPE & FITTINGS

Tyler Pipe/Soil Pipe Division • 11910 CR 492 • Tyler, TX 75706 • (800) 527-8478



Description:

TY -SEAL is a one-piece compression gasket. It is used for joining hub and spigot cast iron soil pipe and fittings made according to ASTM A 74.

Gasket Material:

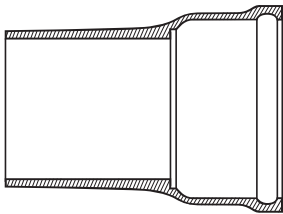
TY -SEAL gaskets are made of Neoprene as the sole elastomer. The physical characteristics of the Neoprene ensure that the gasket will not decay or deteriorate from contact with effluents in the pipe or chemicals in the soil or air around the pipe.

Gasket Specification:

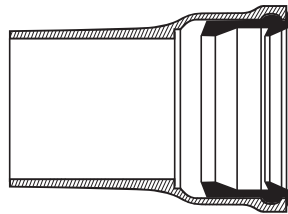
TY -SEAL gaskets conform strictly to ASTM Standard C 564, latest issue. The TY-SEAL mill specification meets or exceeds all requirements.

Pipe Specification:

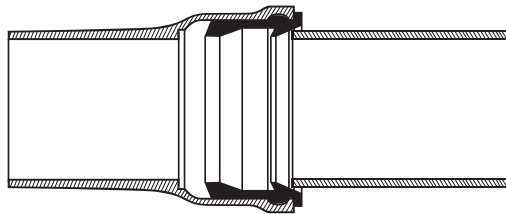
TYLER hub and spigot cast iron soil pipe and fittings comply with the latest issue of ASTM A 74, ANSI A 112.5.1 and Federal Specification WW-P-401 E.



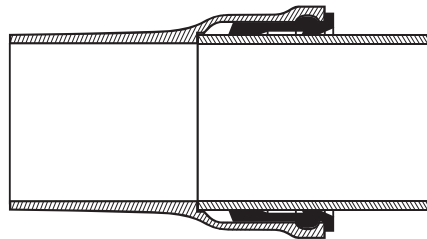
1. Clean hub and spigot to be joined.



2. Insert gasket in the hub, lubricate inside the gasket



3. Align hub and spigot.



4. Pull or push spigot through the gasket until firmly sealed.

SUBMITTAL TY-SEAL GASKETS, HUB & SPIGOT CAST IRON SOIL PIPE & FITTINGS

Tyler Pipe/Soil Pipe Division • 11910 CR 492 • Tyler, TX 75706 • (800) 527-8478



Physical Properties of Ty-Seal Gaskets:

Physical Property	Test Method	Performance Requirements
Hardness, durometer A	ASTM D 2240	70 ± 5 points
Tensile Strength	ASTM D 412	1500 psi. minimum
Elongation of break	ASTM D 412	250% minimum
Tear Resistance	ASTM D 624 (Die C)	150 lbs. per lin. inch minimum
Resistance to heat aging	ASTM D 573	
Change in original properties after 96 hrs. at 158° F.		
Hardness		± 10 points maximum
Elongation		-20% maximum
Tensile strength		-15% maximum
Resistance to oil aging	ASTM D 471	
Change in volume after 70 hrs. immersion in ASTM Oil No. 3 at 212° F.		80% maximum
Resistance to ozone	ASTM D 1149	
Condition after exposure to 150 pphm ozone in air for 100 hrs at 140° F. (40° C.) (sample under 20% strain)		No cracks
Resistance to permanent set	ASTM D 395	25% maximum
Compression set after 22 hrs. at 158° F.	(Method B)	
Compression set after 22 hrs. at 14° F.	ASTM D 1229	60% maximum

Joint Characteristics:

TY-SEAL gasket joints will not leak even if deflected as much as 5 degrees, or when subjected to vibration, seismic tremors, expansion, contraction, external or internal test pressure.

Quality Control:

Company laboratory tests insure that finished gaskets conform to specification.

Availability of Products:

Cast iron soil pipe and TY-SEAL gaskets are sold through recognized plumbing distribution channels.

Plumbing Codes:

National plumbing codes and government agencies now provide for gasket joints.

Documents:

Certificates and reports validating all statements contained herein will be supplied on written request.

HOW TO SPECIFY:
All 2-inch through 15-inch hub and spigot cast iron soil pipe and fittings shall conform to ASTM A 74; joints shall be made either by caulked lead and oakum or by compression gaskets such as TY-SEAL which conform to ASTM C 564.



PIPE & COUPLING

SUBMITTAL TYLER® STANDARD NO-HUB COUPLINGS

Tyler Pipe/Soil Pipe Division • 11910 CR 492 • Tyler, TX 75706 • (800) 527-8478

Description:

Tyler Pipe standard no-hub couplings are manufactured in accordance with CISPI 310 and are designed to join cast-iron pipe and fittings in drain, waste and vent applications. Each coupling includes two components: a molded, one-piece neoprene sealing sleeve and a 300 series AISI stainless steel shield/ clamp assembly featuring compression bands over our trademark diamond-corrugation shield pattern. No-hub couplings are available in sizes from 1½" to 15" in diameter.

Neoprene Sealing Sleeve:

Tyler Pipe standard-coupling sealing sleeves conform to ASTM standard C 564 and are made of high-purity neoprene. This material delivers superior resistance to decay and deterioration from contact with effluents in the pipe, chemicals in the soil, or air around the pipe - including oil and other petroleum products. Also, neoprene can withstand high liquid temperatures up to 212°, is fire resistant and does not support flame. Each sleeve features a double row of raised, sealing rings positioned under each compression band to provide multiple, sealing surfaces on either side of the connection. This ensures a permanent, leak-proof joint that can reliably accommodate minor, pipe-mating diameter variations.

Shield and Clamp Assembly:

Tyler® couplings incorporate a shield and clamp assembly fabricated from 300 series stainless steel for maximum corrosion resistance.

Clamping bands are mounted and attached to the shield by a fixed and

Material Specification:

Bands	300 Series AISI Stainless Steel
Screw Housing	300 Series AISI Stainless Steel 5/16" hex head slant shoulder
Shield	300 Series AISI Stainless Steel
Sealing Sleeve	Neoprene elastomer compound conforms to ASTM C 564

floating eyelet system that allows for variable adjustment of each clamp during tightening. Our shield's patented diamond-pattern corrugation design locks the sealing sleeve under the shield and prevents slippage or extrusion - even under elevated internal pressure or external stress. The clamp bands on 1½"-10" diameter couplings require 60 in-lbs of torque. 12"-15" diameter couplings require 80 in-lbs of torque.

Bracing:

Horizontal pipe and fittings 5" and larger should be suitably braced using blocks, rodding or other methods at each branch or change in direction.




Joint Characteristics:

A superior gasket joint is produced with a Tyler Pipe standard no-hub coupling. It is designed not to leak, even when subjected to vibration, seismic tremors, expansion, contraction, deflection by as much as 5 degrees, or external and internal test pressure.

Quality Control and Documentation:

Tyler Pipe's internal quality control processes include daily performance testing to verify conformance of all components to established standards. In addition, NSF periodically tests, inspects and audits Tyler Pipe's manufacturing facility. Certificates and reports validating all claims contained in this Submittal will be supplied upon written request.

Suggested Specification:

No-hub cast-iron soil pipe and fittings shall be joined with Tyler Pipe NSF-certified couplings that conform to the CISPI 310 / ASTM C1277 standard. Couplings will be installed according to the installation instructions of the manufacturer. All pipe and fittings on which couplings are installed shall bear the registered trademark  signifying they comply with the Cast Iron Soil Pipe Institute Standard 301.

PHYSICAL PROPERTIES

Property	Value	ASTM Test Method
Tensile Strength	1500 psi minimum	D 412
Elongation of Break	250% minimum	D 412
Hardness, Durometer (A)	70 ± 5 at 76° ± 5° F	D 2240
Tear Resistance	150 lbs. per inch, min	D 624 (Die C)
Water Absorption (Wt. Change, 20% maximum 7 days at 158° F)	20% maximum	D 471
Resistance to Heat Aging (Change in original properties after 96 hrs. at 158° F)		D 573
Hardness	10 points, maximum	
Elongation	20% maximum	
Tensile Strength	15% maximum	
Resistance to Oil Aging (Change in volume after 70 hrs. immersion in ASTM oil IMR903 at 212° F)	80% maximum	D 471
Resistance to Ozone (Condition after exposure to 1.0 pphm ozone in air for 100° F - Loop-mounted sample approximately or 20% elongation)	No Cracks at 2x Magnification	D 1149
Resistance to Permanent Set (Compression set after 22 hrs. at 158° F)	25% maximum	D 395 (Method B)



PIPE & COUPLING

SUBMITTAL Ç NO-HUB® CAST IRON SOIL PIPE & FITTINGS

Tyler Pipe/Soil Pipe Division • 11910 CR 492 • Tyler, TX 75706 • (800) 527-8478

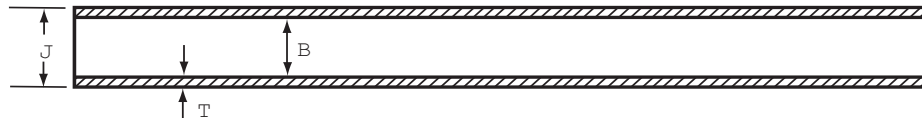
Specifications:

All 1½ inch diameter and larger cast iron soil pipe and fittings for above and below grade soil, waste, vent lines, rain water conductors and storm drainage lines shall bear the registered insignia Ç or Ç NO HUB® indicating that these items used in the sanitary system comply with the Cast Iron Soil Pipe Institute Standards 301 or ASTM A888.



Standards:

- CISPI 301: Hubless Cast Iron Soil Pipe & Fittings
- ASTM A 888: Hubless Cast Iron Soil Pipe & Fittings
- ASTM C 564: Rubber Gaskets for Cast Iron Soil Pipe & Fittings



NO-HUB PIPE, TEN-FOOT LAYING LENGTH

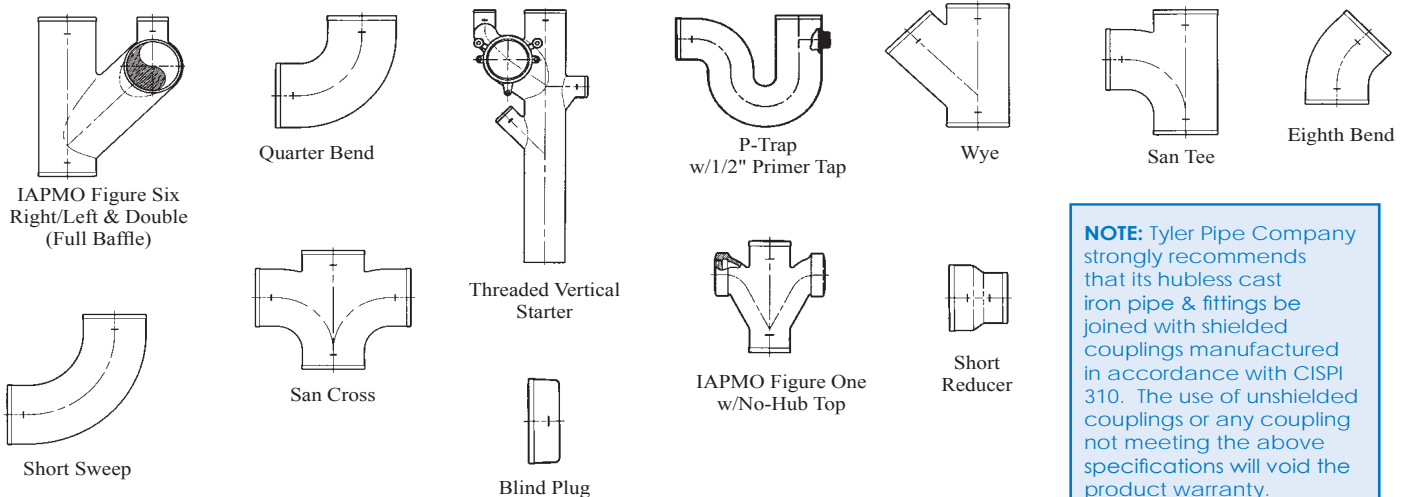
Size	Wt. per 10'* lbs.	Per Bundle	
		Pieces	Wt. lbs.
1½	25	54	1350
2	36	54	1955
3	52	36	1855
4	74	27	2013
5	94	24	2256
6	110	18	1998
8	180	15	2718
10	258	8	2084
12	325	6	2130
15	497	4	2060

*Note: Weights approximate, for shipping purposes only.

NO-HUB, TEN-FOOT LAYING LENGTH DIMENSIONS AND TOLERANCES

Size	Hubless Pipe Barrels		T Thickness	
	B Inside Diameter	J Outside Diameter	Nom.	Min.
1½	1.50±.09	1.90±.06	.16	.13
2	1.96±.06	2.35±.09	.16	.13
3	2.96±.06	3.35±.09	.16	.13
4	4.00±.06	4.38+.09-.05	.19	.15
5	4.94±.09	5.30+.09-.05	.19	.15
6	5.94±.09	6.30+.09-.05	.19	.15
8	7.94±.13	8.38+.13-.09	.23	.17
10*	10.00±.13	10.56±.09	.28	.22
12	11.94±.09	12.50±.09	.28	.22
15	15.11±.09	15.83±.09	.36	.30

* O.D. Barrel out of round tolerance of ±.04 is permitted.



NOTE: Tyler Pipe Company strongly recommends that its hubless cast iron pipe & fittings be joined with shielded couplings manufactured in accordance with CISPI 310. The use of unshielded couplings or any coupling not meeting the above specifications will void the product warranty.



PIPE & COUPLING

SUBMITTAL Ø HUB & SPIGOT CAST IRON SOIL PIPE & FITTINGS

Tyler Pipe/Soil Pipe Division • 11910 CR 492 • Tyler, TX 75706 • (800) 527-8478

Specifications:

All 2 inch through 15 inch hub & spigot cast iron soil pipe and fittings shall conform to ASTM A 74; joints shall be made either by caulked lead and oakum or by compression gaskets such as TY-SEAL® which conform to ASTM C 564.



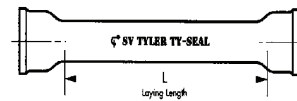
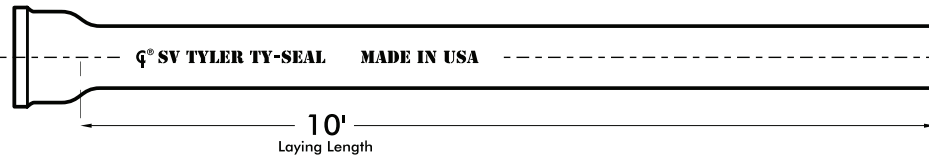
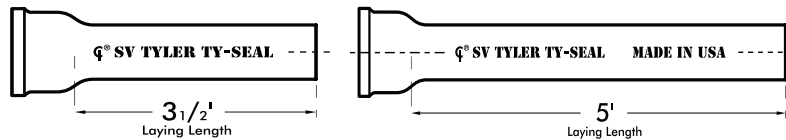
Standards:

ASTM A 74: Cast Iron Soil Pipe & Fittings

ASTM C 564: Rubber Gaskets for Cast Iron Soil Pipe & Fittings

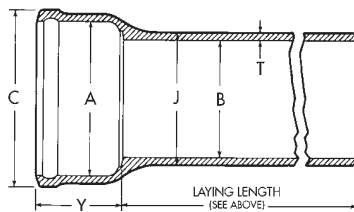
SV CLASS SINGLE HUB PIPE

3-1/2 Ft.		5 Ft.		10 Ft.	
2	15	2	20	2	38
3	23	3	31	3	52
4	30	4	42	4	76
5	39	5	55	5	97
6	45	6	62	6	128
8	72	8	100	8	190
10	106	10	150	10	270
12	35	12	190	12	355
15	184	15	260	15	497

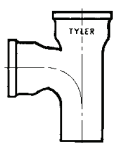


DOUBLE HUB, 30" LENGTHS

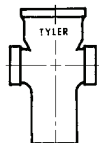
Size	L	Wt.
2"	25	12
3"	24½	17
4"	24	26



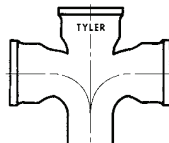
Size	Telescoping Length	Hub I.D.	Hub O.D.	Barrel O.D.	Barrel I.D.	Nominal Thickness	Minimum Thickness
	Y	A	C	J	B	T	T
2"	2.50	2.94	3.62	2.30	1.96	0.17	0.14
3"	2.75	3.94	4.68	3.30	2.96	0.17	0.14
4"	3.00	4.94	5.68	4.30	3.94	0.18	0.15
5"	3.00	5.94	6.68	5.30	4.94	0.18	0.15
6"	3.00	6.94	7.68	6.30	5.94	0.18	0.15
8"	3.50	9.25	10.13	8.38	7.94	0.23	0.17
10"	3.50	11.38	12.44	10.50	9.94	0.28	0.22
12"	4.25	13.50	14.56	12.50	11.94	0.28	0.22
15"	4.25	16.95	18.11	15.88	15.16	0.36	0.33



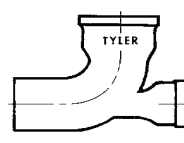
San Tee



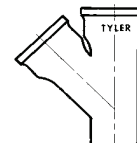
Tapped San Cross



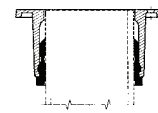
San Cross (No Baffles)



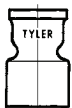
Quarter Bend w/ Low Heel Inlet



Wye



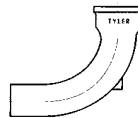
Push-On Closet Flange



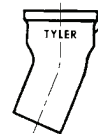
Reducer



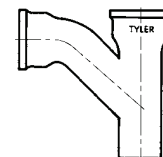
P Trap



Long Sweep Bend



Sixteenth Bend



Combination