



Hydrant Meter Lock

PART NUMBER

FHMLD-SML, FHMLD-LRG

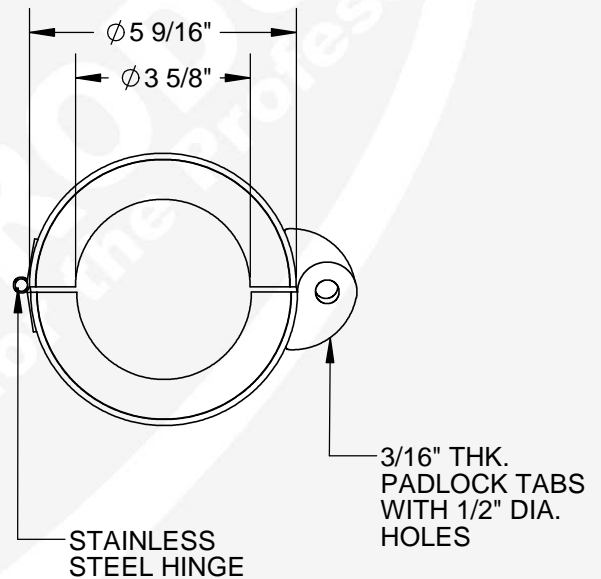
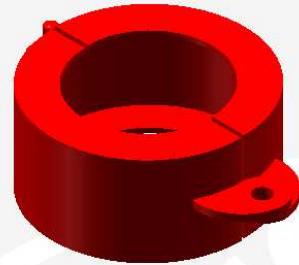
Features: Simple device for locking fire hydrant meters to prevent tampering & theft.

Locks with standard district padlock.

Size: Available in 2 standard sizes.

Material: Mild steel body with corrosion resistant stainless steel hinge.

Finish: Red powder coat finish.



Part No.	"A"
FHMLD-SML	1.75"
FHMLD-LRG	2.25"



DIMENSIONS ARE IN INCHES | DO NOT SCALE DRAWING | DRW: OSBORNE | REV. B