



860 4TH AVE. • P.O. BOX 669 • GRAND JUNCTION, COLORADO 81502 • PH. (970) 243-2032 • FAX: (970) 242-4962

## Specifications

### General:

Cast iron and Aluminum castings shall be true to form and free from sand, blowholes, cracks and shall be well cleaned by shotblasting when needed. Bearing surfaces between manhole rings and covers or grates shall be cast or machined flat to insure a uniform surface throughout the area of contact.

### Manufacture: (Cast Iron & Ductile Iron)

Metal used in the manufacture of "CASTING INC." cast iron products shall conform to ASTM-A48 class 35 or A48 class 30. Castings meet H-20 & HS-20 specifications where applicable. All ductile iron castings conform to ASTM A536-84 grade 80-55-12, unless otherwise specified in your order and / or acknowledged at the time of order.

### Manufacture: (Aluminum)

Heavy duty aluminum castings are manufactured to H-20 load ratings.

### Tolerances:

Castings weights shall be as specified on the drawings and shall vary within permitted tolerances +/-5%. Dimensions may vary in castings due to shrinkage, no greater than +/- 1/16 inch per foot.

### Coatings:

Cast iron castings shall be furnished either unpainted or painted in accordance with purchaser specifications. Painted casting shall be coated with a factory applied bituminous paint.



## Table of Contents

### Section

- 1 Aluminum Meter Pit Covers
- 2 Aluminum Valve Boxes, Extension, Risers
- 3 Aluminum Manhole Ring and Covers, Extension Rings, Frost Proof Covers
- 4 Aluminum Inverted Manhole Ring and Covers
- 5 Aluminum Rectangular Frames, Grates and Covers
- 6 Cast Iron Meter Pit Covers, Top Lids, Extensions
- 7 Cast Iron Valve Boxes, Roadway Boxes, Curb Boxes, Triangle Boxes, Clean Outs
- 8 Cast Iron Manhole Ring and Covers, Frost Proof Covers, Extension Rings
- 9 Cast Iron Inverted Manhole Ring and Covers
- 10 Cast Iron Inlet Frames and Grates, Tree Grates
- 11 Steel Inlet Grates
- 12 Plastic Inner Lids and Meter Cover Top Lids
- 13 DI Manhole Ring & Covers
- 14 Cast Iron Sidewalk Plates, ADA Truncated Domes

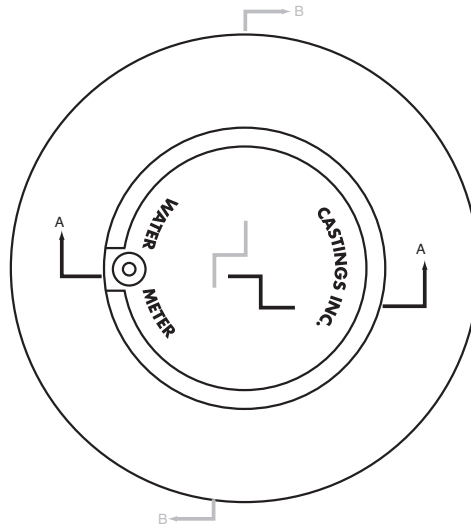
# SECTION 1

## ALUMINUM METER PIT COVERS

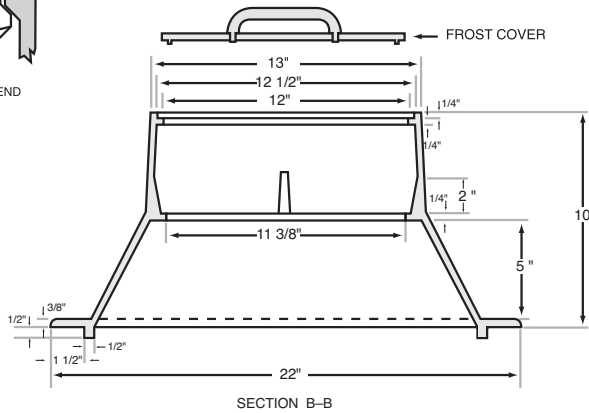
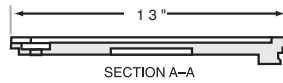
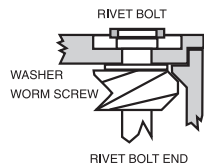
**ALUMINUM METER PIT COVER M-70-18 AL FROST PROOF**

	<b>APPROXIMATE WEIGHT</b>		<b>M7018AL</b>
	<b>TOP LID—PLASTIC</b> <b>TOP LID—AL.</b> <b>TOP LID—C.I. SOLID</b> <b>FROST COVER—AL</b> <b>18" BODY</b>	<b>2 1/4 lb</b> <b>4 1/2 lb</b> <b>11 lb</b> <b>2 1/2 lb</b> <b>20 lb</b>	<b>M70TLP</b> <b>M70TLAL</b> <b>M70TLCI</b> <b>ILAL</b> <b>M70D18AL</b> <b>M70D20AL</b>
<b>NOTES:</b> <b>AVAILABLE FOR METER PITS 20"-21"</b> <b>OPTIONAL—PLASTIC INNER 2" OR 3"</b>			<b>INLP2</b> <b>INLP3</b>

Made for 18" Pits

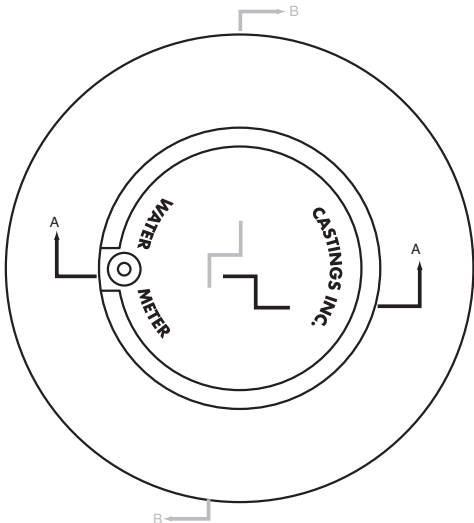


**LOCK ASSEMBLY DETAIL**

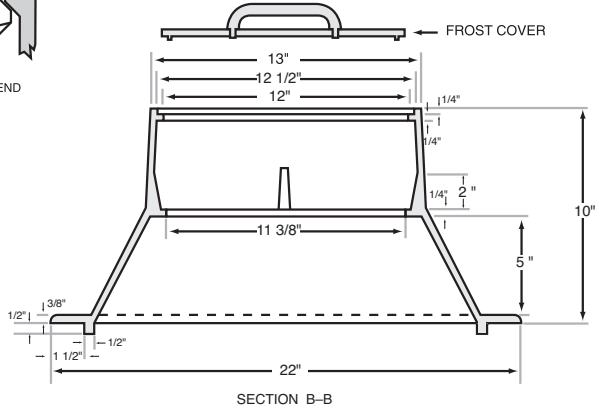
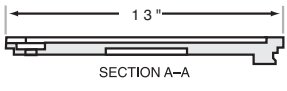
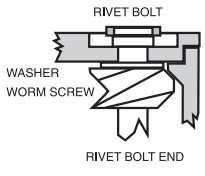


**ALUMINUM METER PIT COVER M-70-20 AL FROST PROOF**

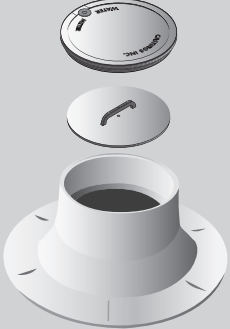
	<b>APPROXIMATE WEIGHT</b>		<b>M7020AL</b>
	<b>TOP LID—PLASTIC</b> <b>TOP LID—AL.</b> <b>TOP LID—C.I. SOLID</b> <b>FROST COVER—AL</b> <b>20" BODY</b>	<b>2 1/4 lb</b> <b>4 1/2 lb</b> <b>11 lb</b> <b>2 1/2 lb</b> <b>20 lb</b>	<b>M70TLP</b> <b>M70TLAL</b> <b>M70TLCI</b> <b>ILAL</b> <b>M70D18AL</b> <b>M70D20AL</b>
<b>NOTES:</b> <b>AVAILABLE FOR METER PITS 20"-21"</b> <b>OPTIONAL—PLASTIC INNER 2" OR 3"</b>			<b>INLP2</b> <b>INLP3</b>



**LOCK ASSEMBLY DETAIL**



**ALUMINUM METER PIT COVER M-70-24-AL FROST PROOF**

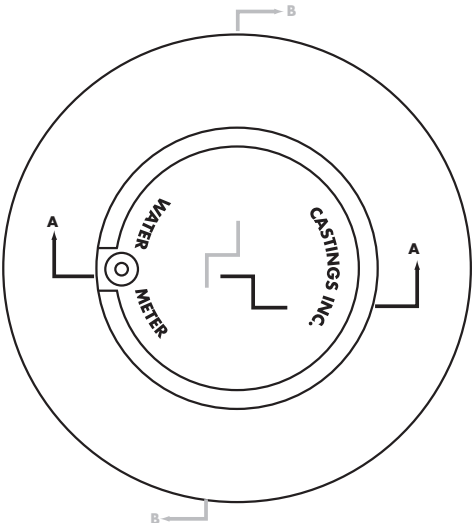


**M7024AL**

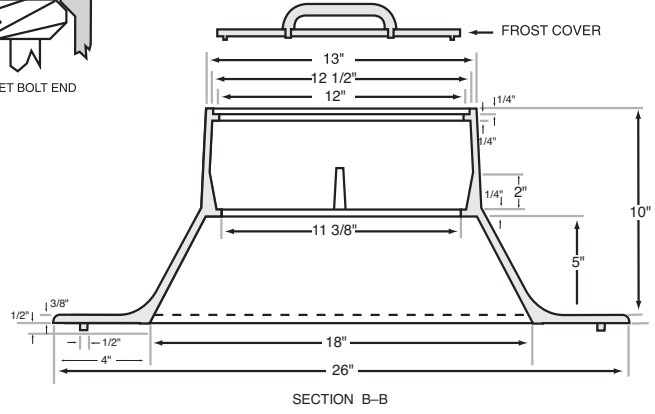
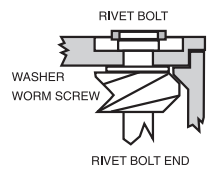
**APPROXIMATE WEIGHT**

<b>TOP LID PLASTIC</b>	<b>2 1/4 lb</b>	<b>M70TLP</b>
<b>TOP LID—AL.</b>	<b>4 1/2 lb</b>	<b>M70TLAL</b>
<b>TOP LID—C.I. SOLID</b>	<b>11 lb</b>	<b>M70TLCI</b>
<b>FROST COVER</b>	<b>2 1/2 lb</b>	<b>ILAL</b>
<b>24" BODY</b>	<b>22 lb</b>	<b>M70D24AL</b>

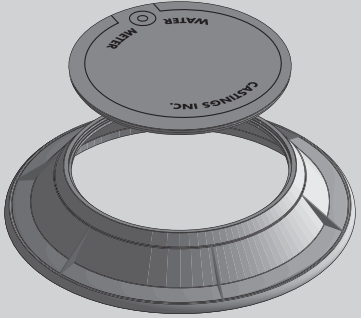
**NOTES:**  
**OPTIONAL—PLASTIC INNER 2" OR 3" INLP2**  
**INLP3**



**LOCK ASSEMBLY DETAIL**



**ALUMINUM METER PIT COVER M-18 AL**

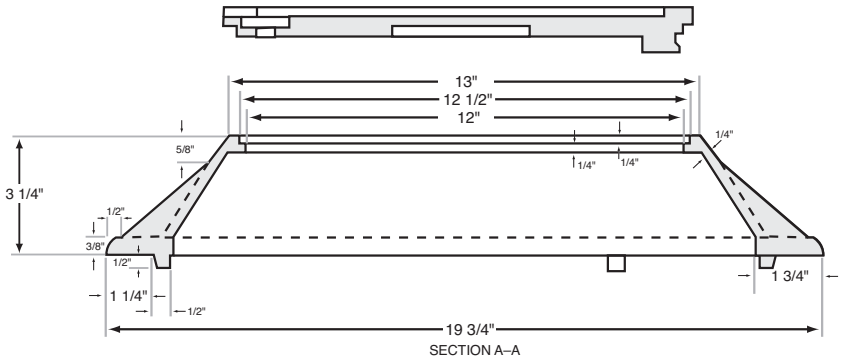
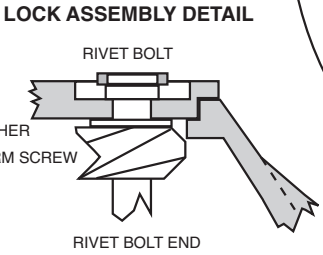
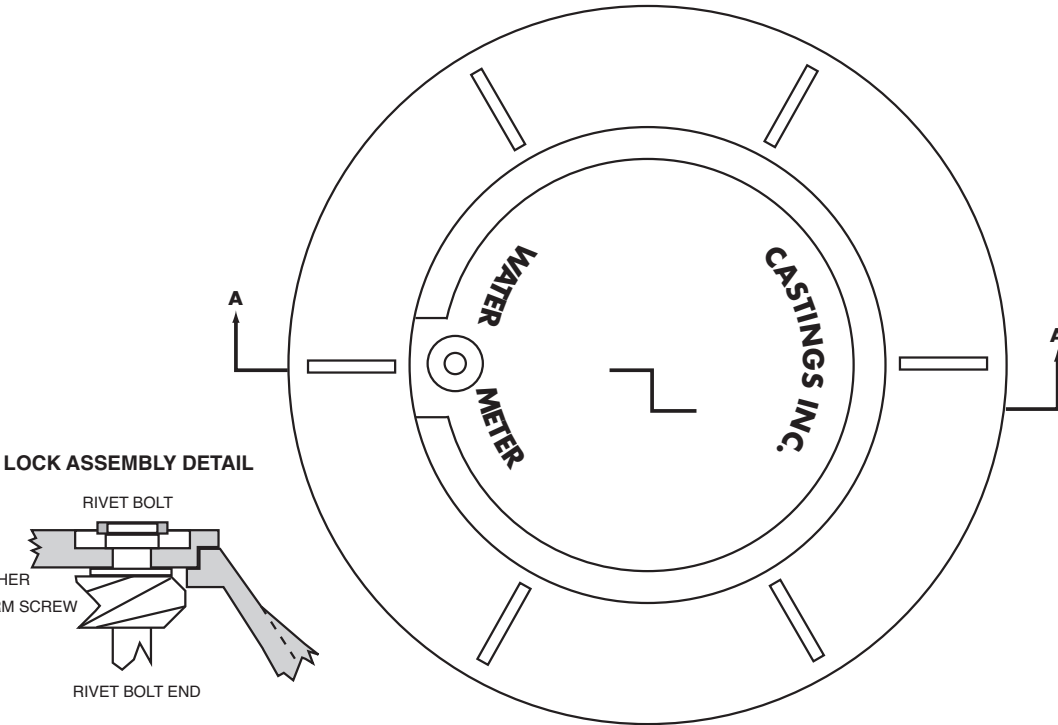


**M18AL**

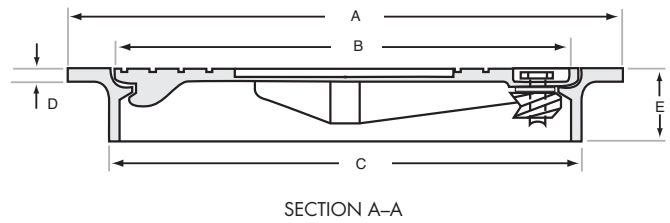
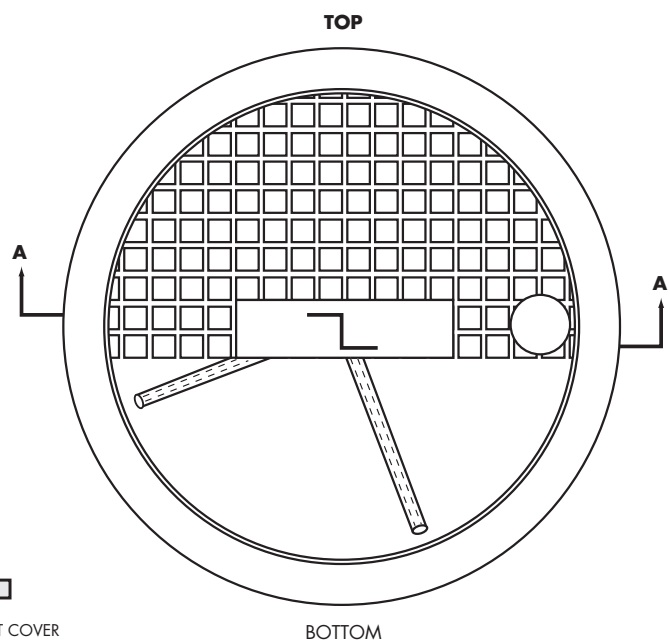
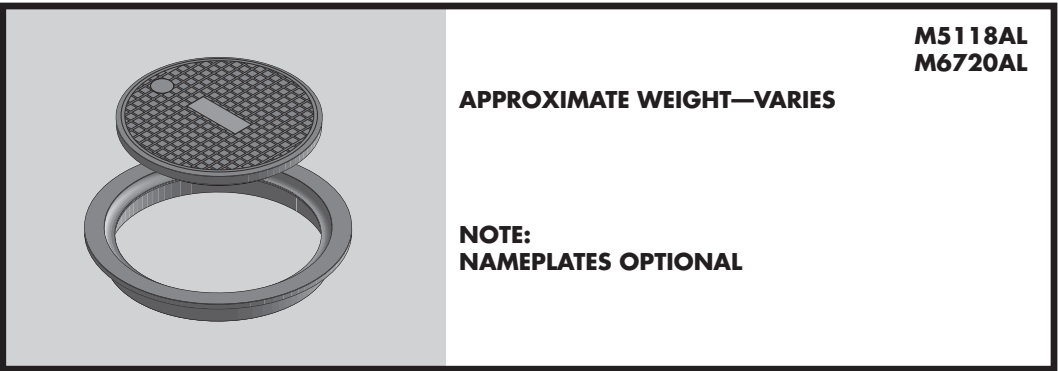
**APPROXIMATE WEIGHT**

<b>TOP LID</b>	<b>CI</b>	<b>11 lb</b>	<b>M18TLCI</b>
<b>TOP LID</b>	<b>AL</b>	<b>4 1/2 lb</b>	<b>M18TLAL</b>
<b>BODY</b>		<b>7 lb</b>	<b>M18D18AL</b>

**NOTE:**  
**OPTIONAL CAST IRON TOP LID**



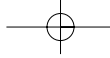
**ALUMINUM METER PIT COVER M-51-18 & M-67-20 AL**



PART NO.	DIMENSIONS (inches)					APPROX. WT (lbs)
	A	B	C	D	E	
M1518AL	20	16 1/2	16 1/2	1/2	2 3/4	19
M6720AL	22 1/4	18 1/4	18 1/2	1/2	3	25

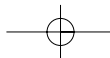
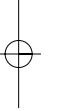
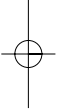




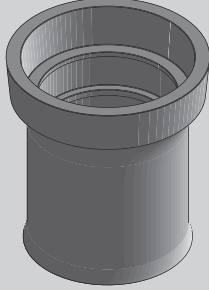


# **SECTION 2**

## **ALUMINUM VALVE BOXES, EXTENSION, RISERS**



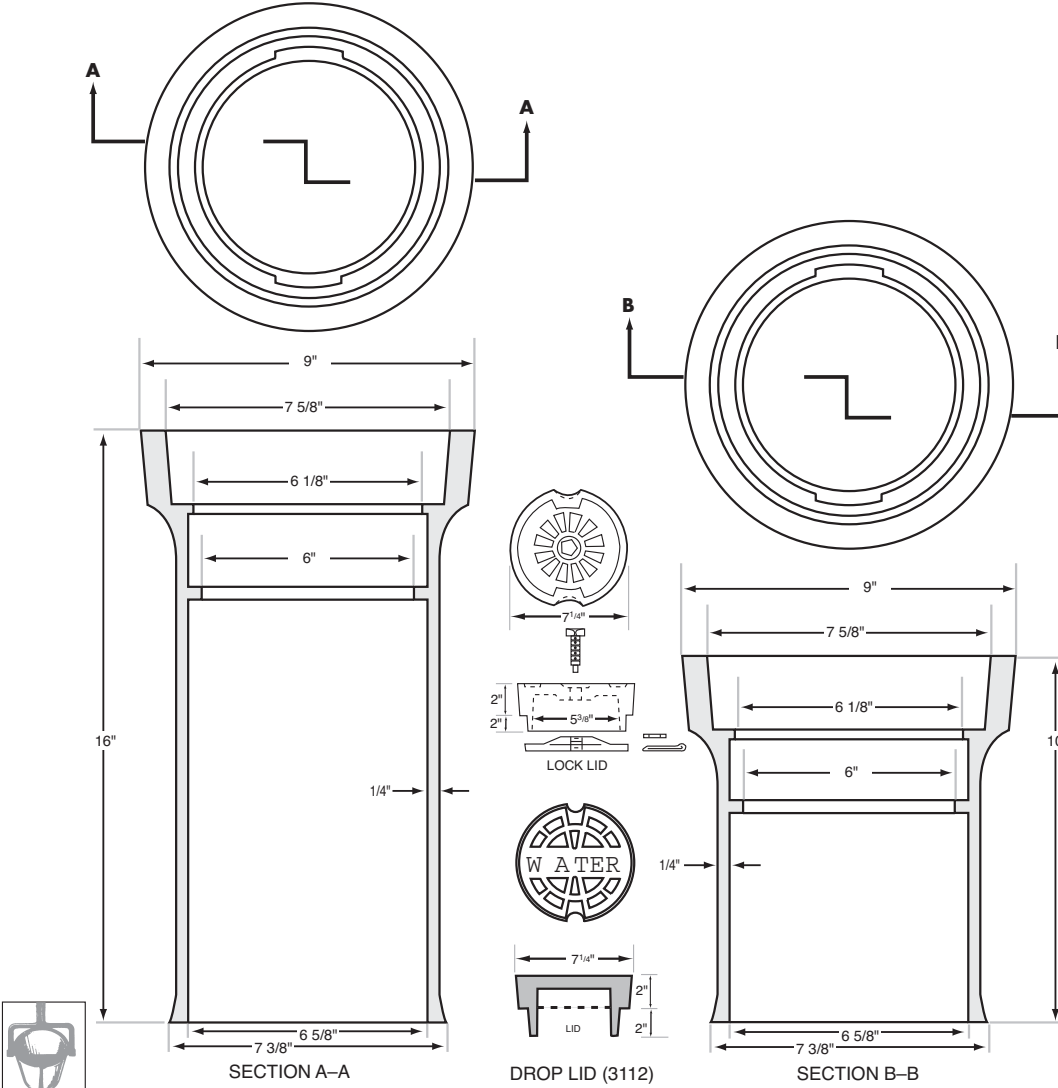
**ALUMINUM VALVE BOX TOP VBT SLIP AL**

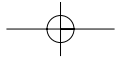


**APPROXIMATE WEIGHT**

IPS PVC/SLIP 10"	8 lb	<b>VBTA10AL</b>
IPS PVC/SLIP 16"	11 lb	<b>VBTA16AL</b>

**NOTES:**  
**NAMEPLATES—CAST AS PER REQUIRED**  
**MACHINING—LID & RING SEAT**



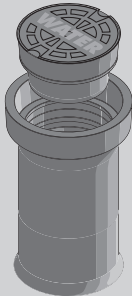
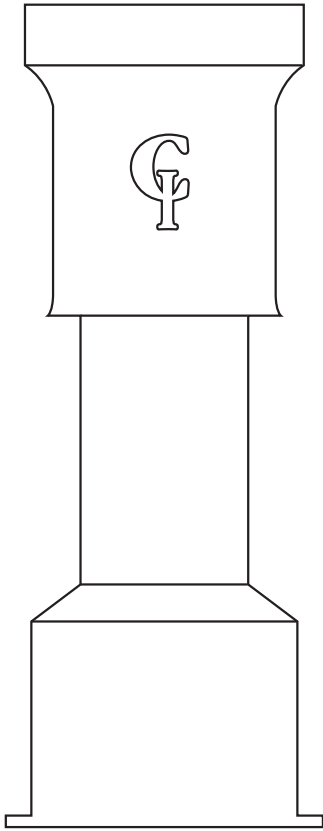


**ALUMINUM VALVE BOX TOP SECTION AL**

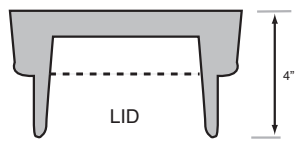
**VBTSAL**

**APPROXIMATE WEIGHT—VARIES WITH SIZE**

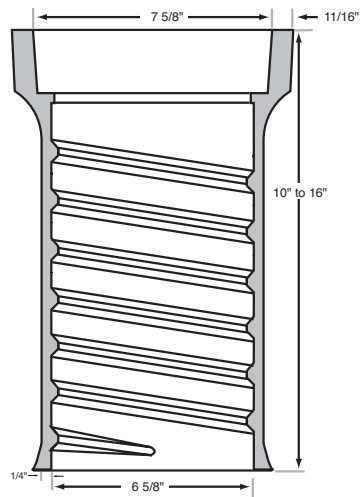
**NOTES:**  
**LID NAMEPLATES—OPTIONAL**  
**LIDS AVAILABLE IN CAST IRON OR ALUMINUM**

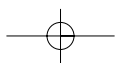
VALVE BOX ASSEMBLY  
VBA 26" TO 72"

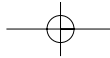


LID

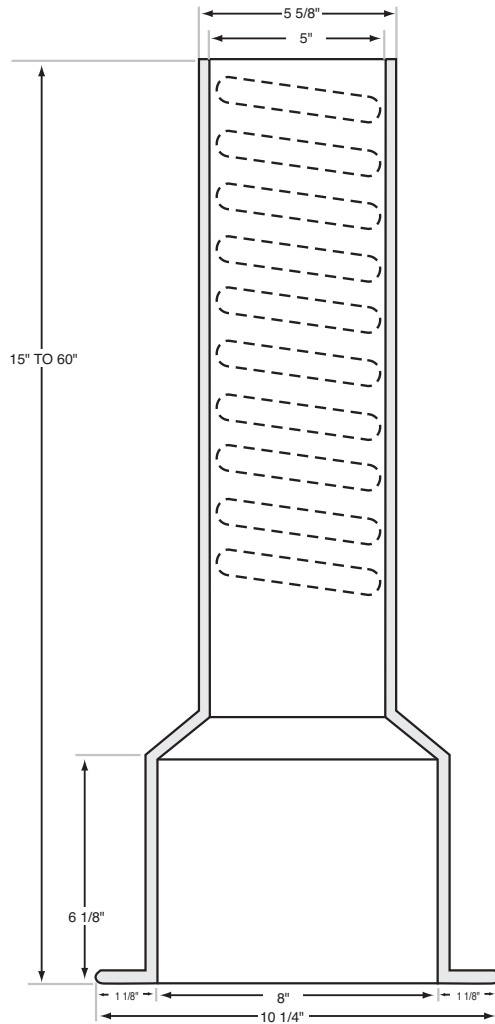
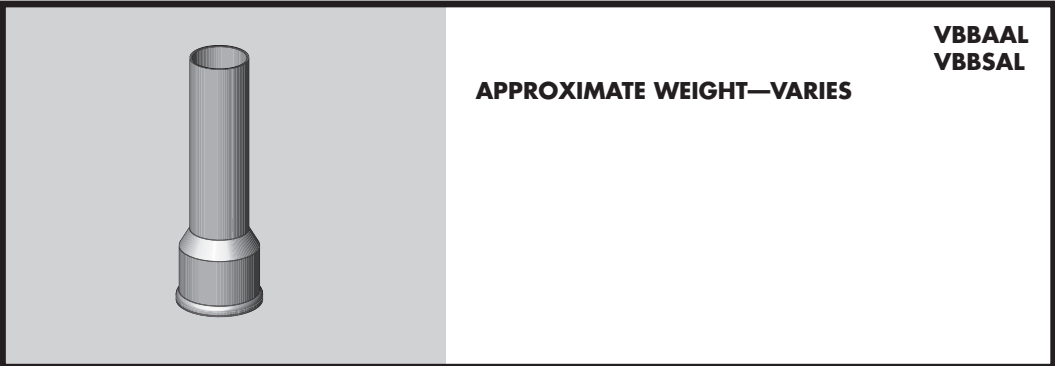


TOP SECTION  
VBT 10" TO 16"

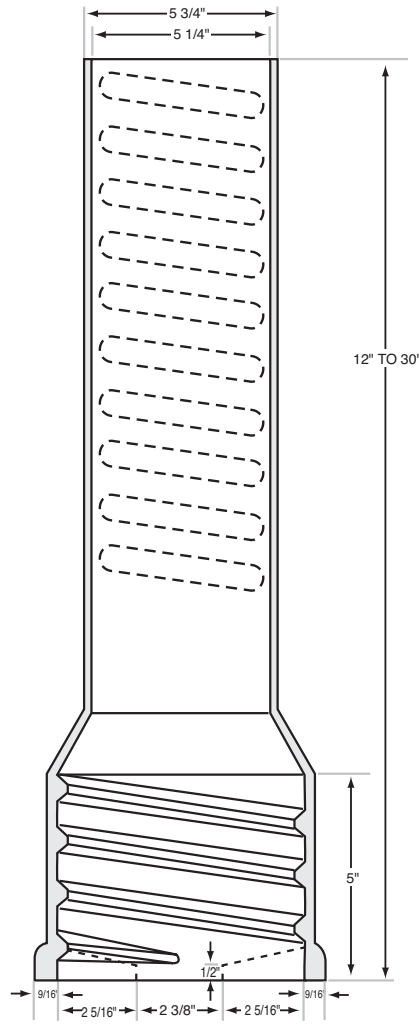




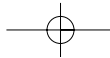
**ALUMINUM VALVE BOX BOTTOM & EXTENSION SECTIONS AL**

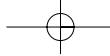


**BOTTOM SECTION**  
VBB 15" TO 60"

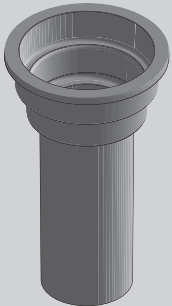


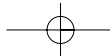
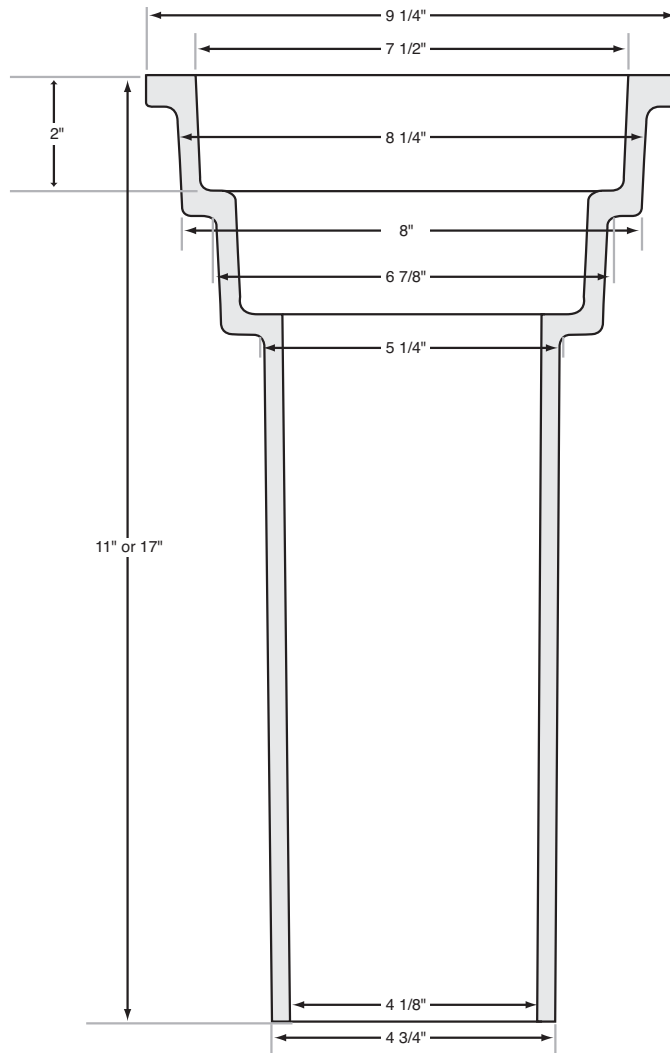
**EXTENSION SECTION**  
VBE 12" TO 30"

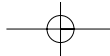




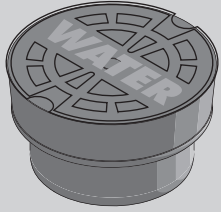
**ALUMINIUM VALVE BOX TOP RISER VBR 11" & 17" RITE HITE CT**

	<b>APPROXIMATE WEIGHT</b>	
	<b>VBR 11"</b>	<b>7 lb.</b>
	<b>VBRA11AL</b>	
	<b>VBR 17"</b>	<b>9 lb.</b>
	<b>VBRA17AL</b>	
	<b>NOTE:</b>	



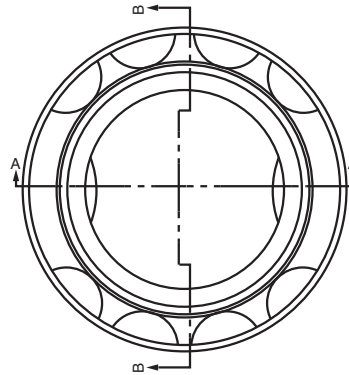


**ALUMINUM & CAST IRON VALVE BOX TOP VBT LID C.I. & AL**

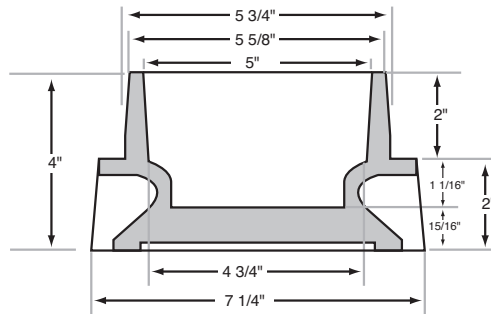
	<b>APPROXIMATE WEIGHT</b>		
	<b>CAST-IRON LID</b>	<b>12.5 lb</b>	<b>VBTLCI</b>
	<b>ALUMINUM LID</b>	<b>5 lb</b>	<b>VBTLAL</b>
<p><b>NOTE:</b>  <b>NAMEPLATES—WATER, SEWER, GAS, SURVEY, TRAFFIC, IRRIGATION, CP TEST OR AS REQUIRED</b></p>			



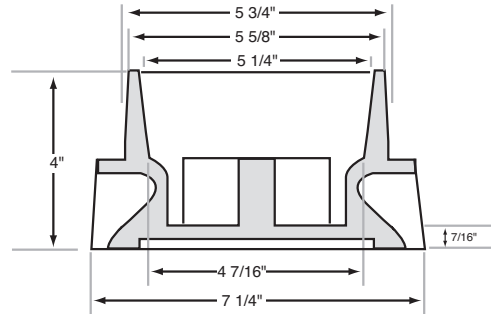
**TOP VIEW**



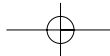
**BOTTOM VIEW**

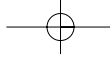


**SECTION A-A**  
**HEAVY-DUTY CAST-IRON LID**



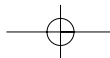
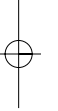
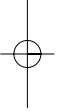
**SECTION B-B**  
**STANDARD ALUMINUM LID**



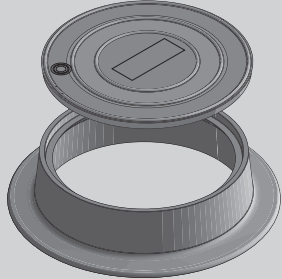


# **SECTION 3**

## **ALUMINUM MANHOLE RING AND COVERS, EXTENSION RINGS, FROST PROOF COVERS**



**ALUMINUM MANHOLE RING AND COVER MH-100-24 AL**



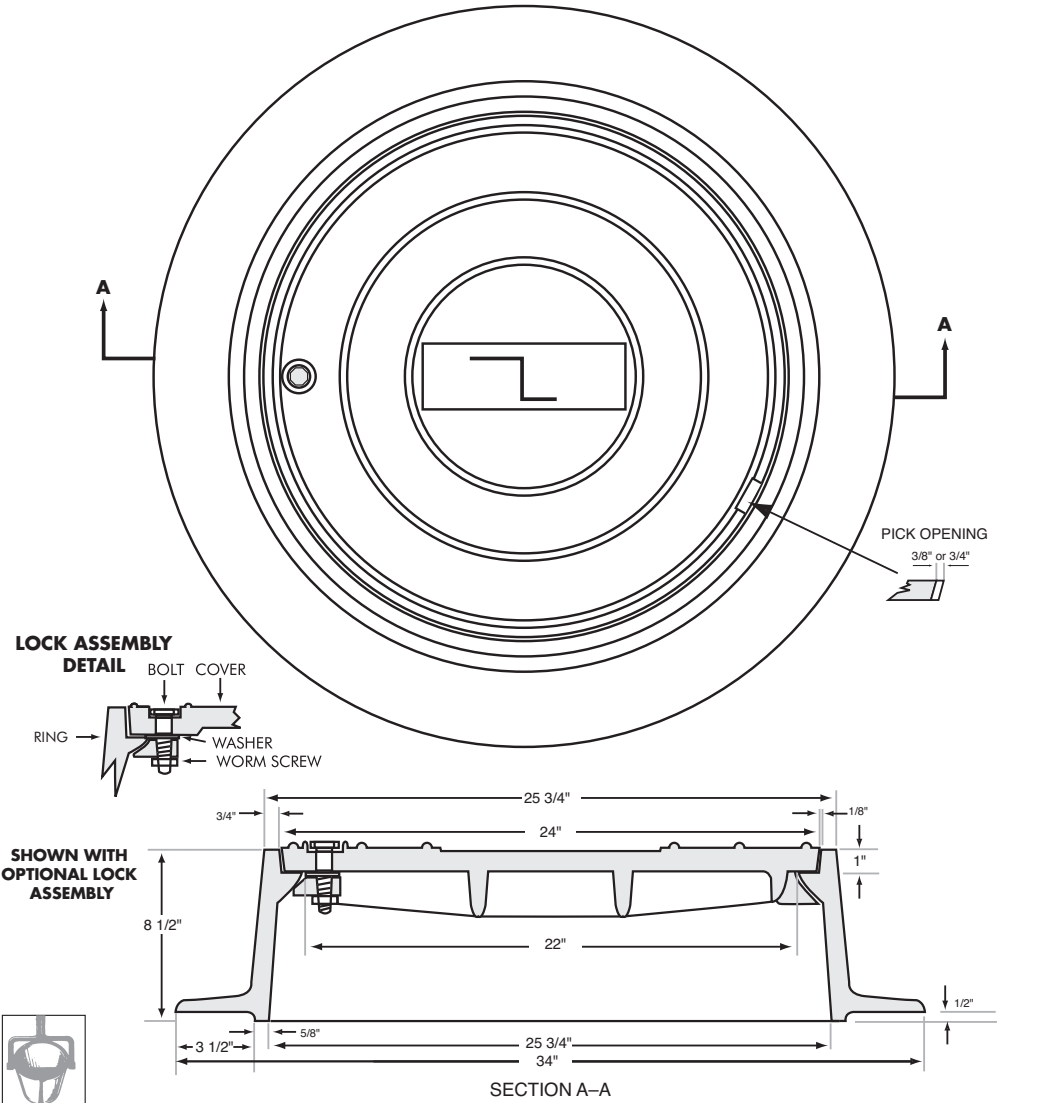
**MH10024AL**

**APPROXIMATE WEIGHT**

**COVER 50 lb**  
**RING 78 lb**

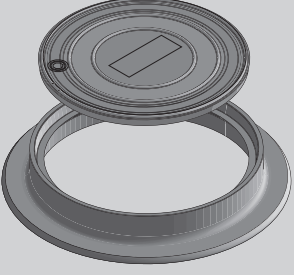
**H-20 RATED**

**NOTE:**  
**NAMEPLATES—OPTIONAL**  
**AVAILABLE WITH BOLT DOWN & GASKET**





**ALUMINUM MANHOLE RING AND COVER MH-125-24 AL**



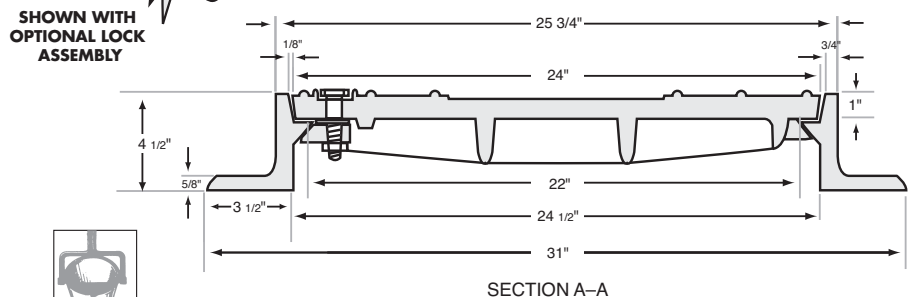
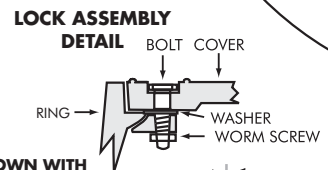
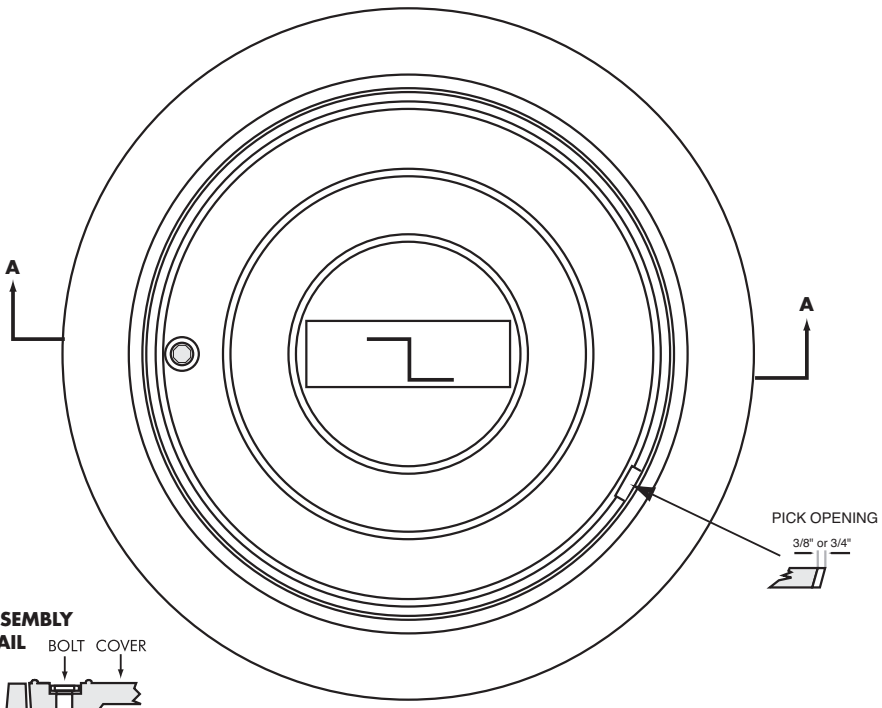
**MH12524AL**

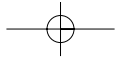
**APPROXIMATE WEIGHT**

**COVER 50 lb**  
**RING 41 lb**

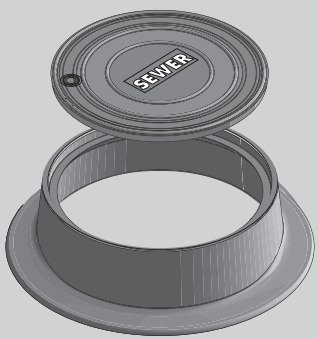
**H-20 RATED**

**NOTES:**  
**NAMEPLATES—OPTIONAL**  
**AVAILABLE WITH BOLT DOWN & GASKET**





**ALUMINUM MANHOLE RING AND COVER MH-150-24-AL**

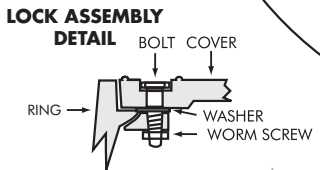
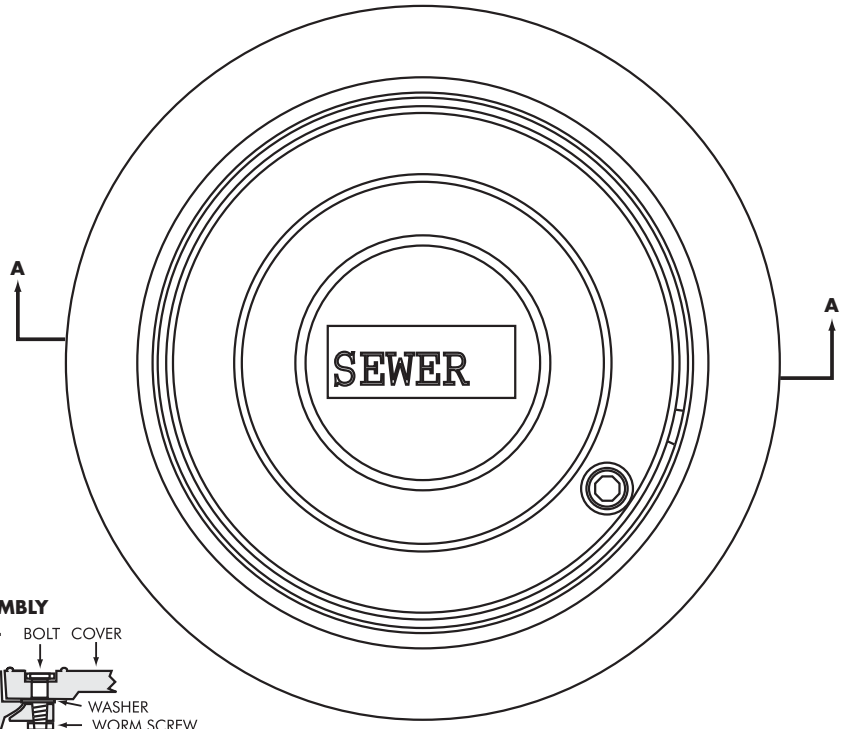


**APPROXIMATE WEIGHT**

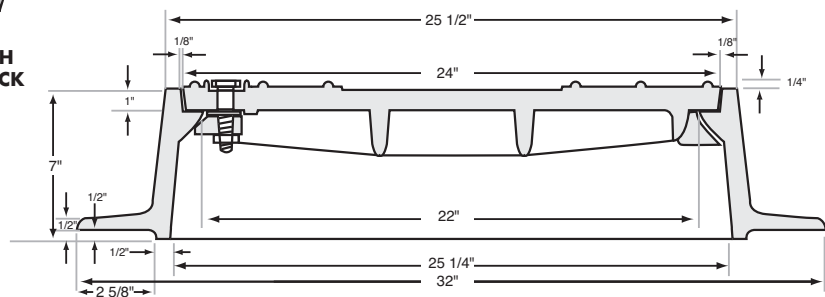
<b>COVER</b>	<b>50 lb</b>
<b>RING</b>	<b>52 lb</b>

**H-20 RATED**

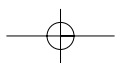
**NOTES:**  
**NAMEPLATES—OPTIONAL**  
**AVAILABLE WITH BOLT DOWN & GASKET**



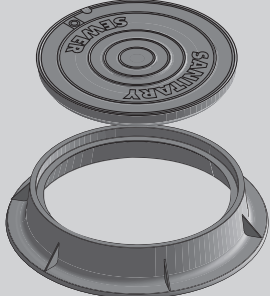
**SHOWN WITH OPTIONAL LOCK ASSEMBLY**



SECTION A-A



**ALUMINUM MANHOLE RING AND COVER MH-400P AL**



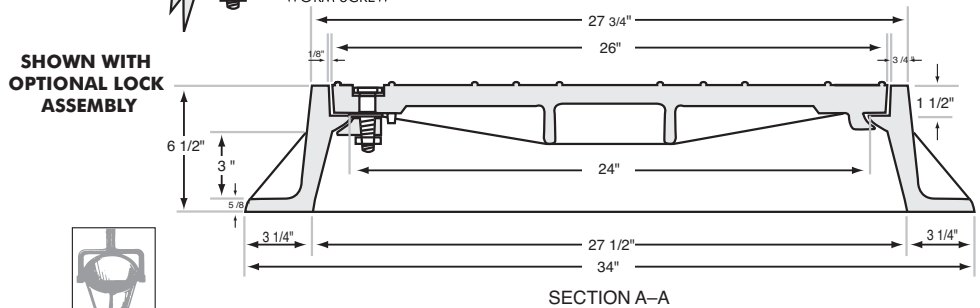
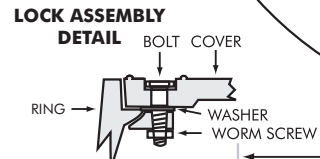
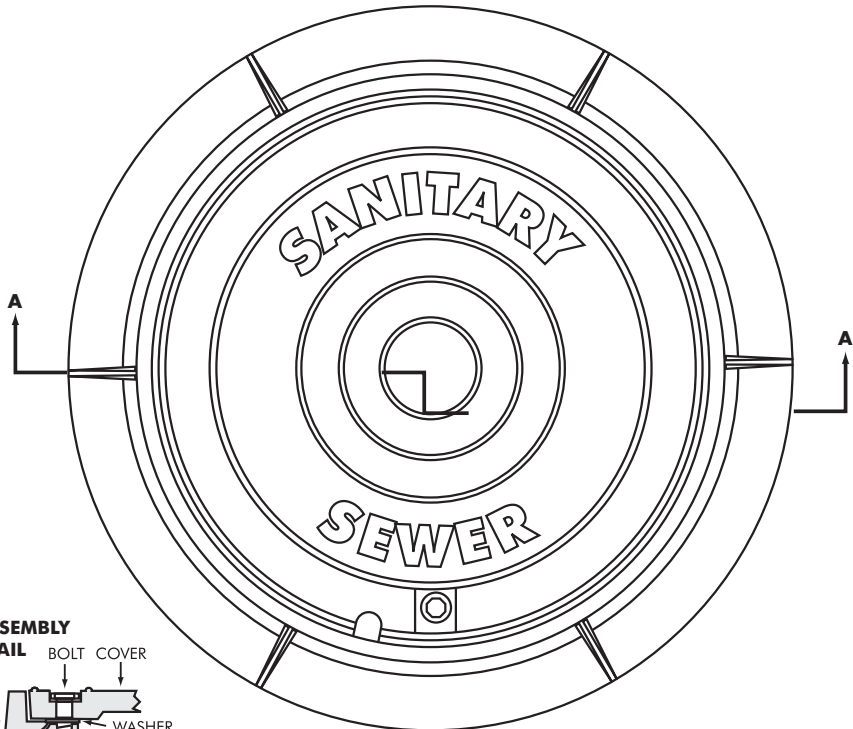
**APPROXIMATE WEIGHT**

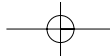
<b>COVER</b>	<b>60 lb</b>
<b>RING</b>	<b>59 lb</b>

**H-20 RATED**

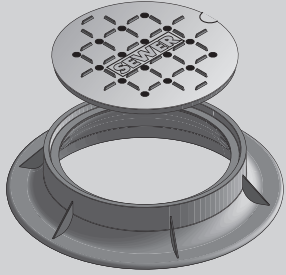
**NOTES:**  
**NAMEPLATES—OPTIONAL**  
**AVAILABLE WITH BOLT DOWN & GASKET**

**MH400PAL**





**ALUMINUM MANHOLE RING AND COVER MH-405-25 AL**



**MH40525AL**

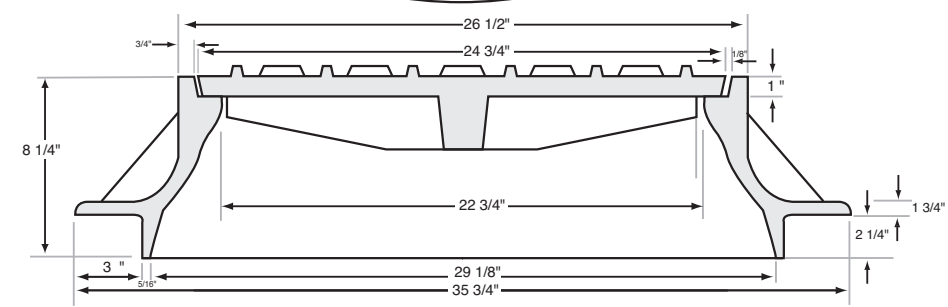
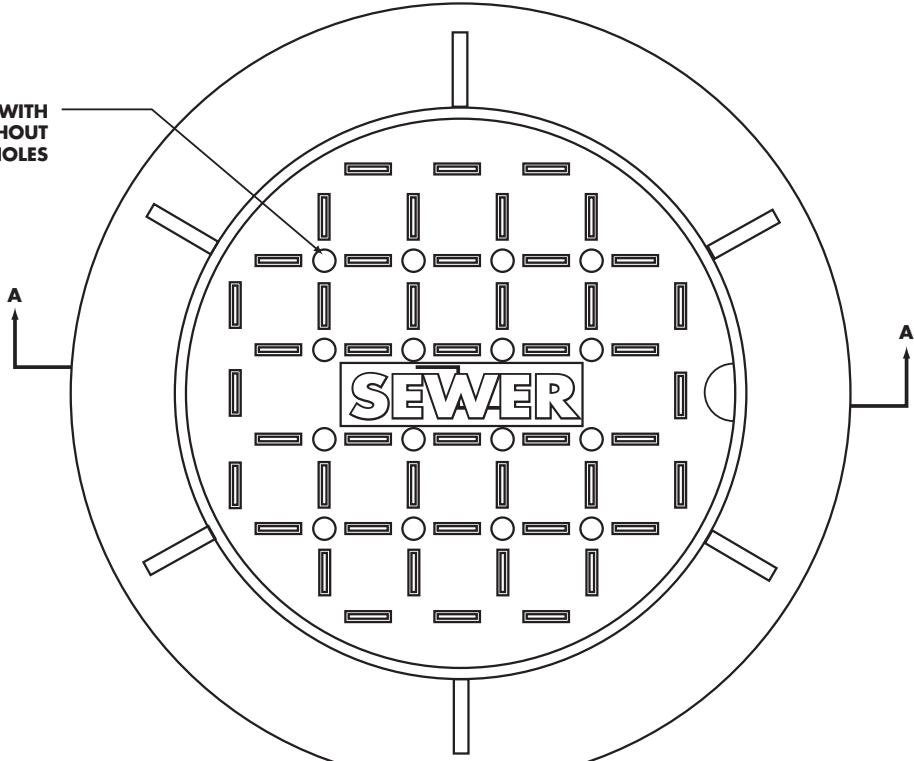
**APPROXIMATE WEIGHT**

**COVER 55 lb**  
**RING 86 lb**

**H-20 RATED**

**NOTES:**  
**NAMEPLATES—OPTIONAL**  
**VENT HOLES—OPTIONAL**  
**AVAILABLE WITH BOLT DOWN & GASKET**

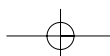
AVAILABLE WITH OR WITHOUT 1" VENT HOLES

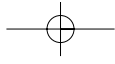


SECTION A-A



**CASTINGS INC.** 860 4TH AVE. • P.O. BOX 669 • GRAND JCT, CO 81502 • 970.243.2032 • FAX 970.242.4962





**ALUMINUM MANHOLE RING AND COVER MH-440-26 AL**

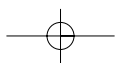
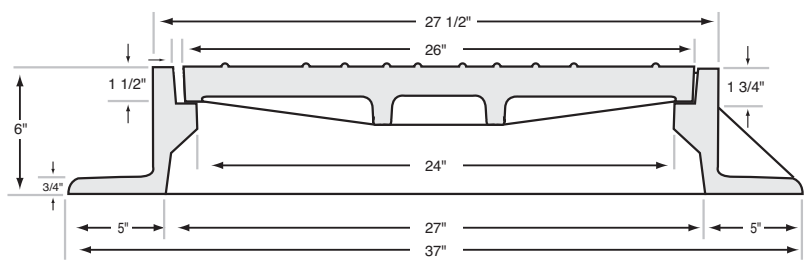
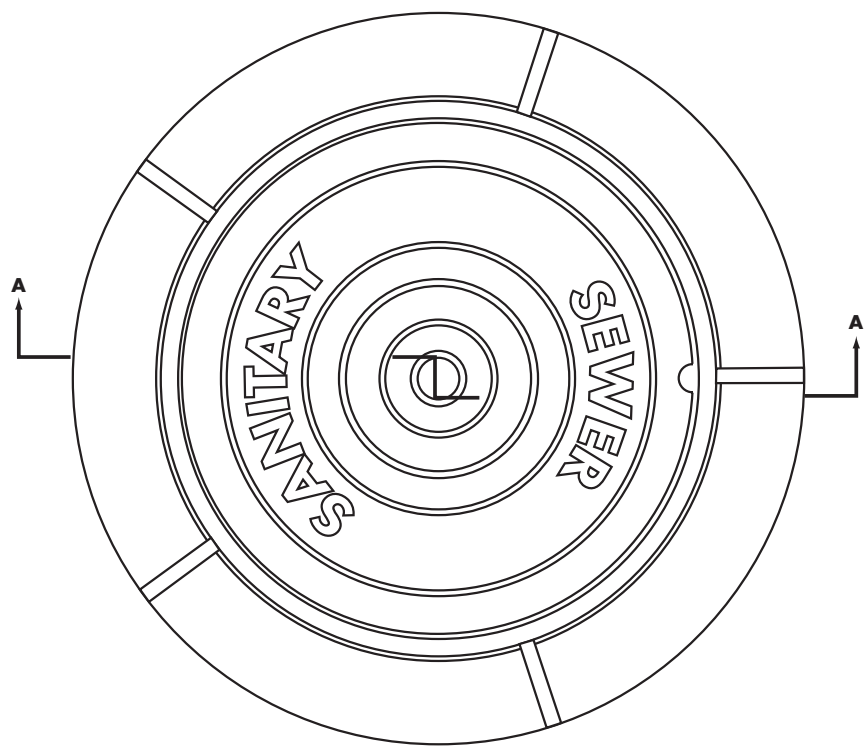
**MH44026AL**

**APPROXIMATE WEIGHT**

**COVER 69 lb**  
**RING 98 lb**

**H-20 RATED**

**NOTES:**  
**NAMEPLATES—OPTIONAL**  
**AVAILABLE WITH BOLT DOWN & GASKET**



**ALUMINUM MANHOLE RING AND COVER MH-550-31 AL**

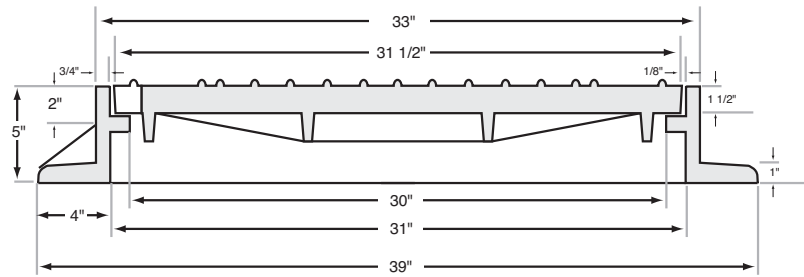
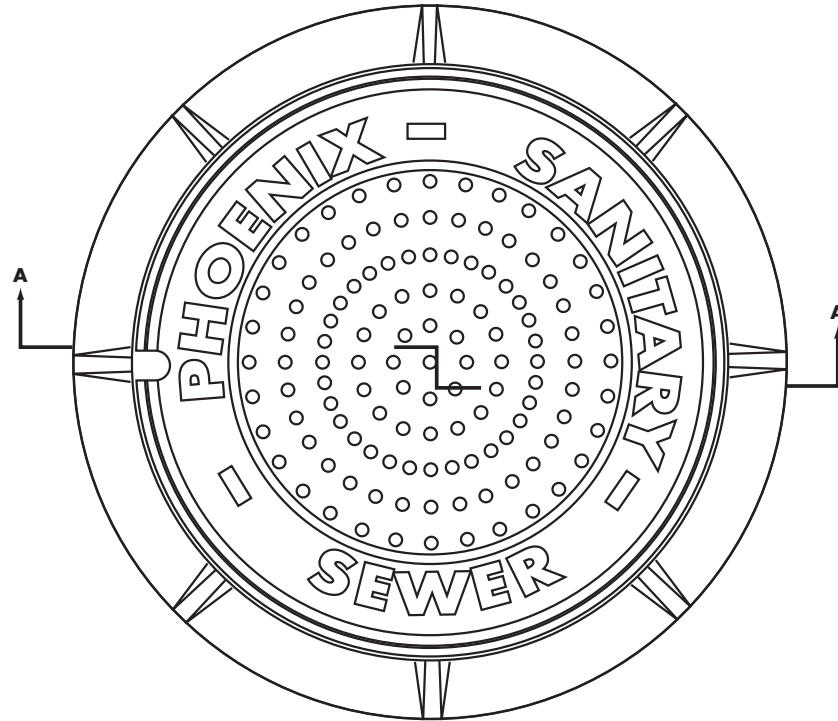
**MH55031AL**

**APPROXIMATE WEIGHT**

**COVER 105 lb**  
**RING 77 lb**

**H-20 RATED**

**NOTES:**  
**NAMEPLATES—OPTIONAL**  
**AVAILABLE WITH BOLT DOWN & GASKET**

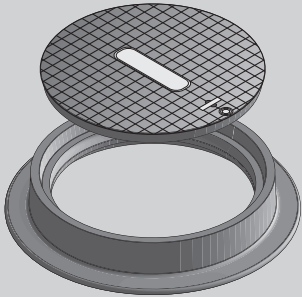


SECTION A-A



**CASTINGS INC.** 860 4TH AVE. • P.O. BOX 669 • GRAND JCT, CO 81502 • 970.243.2032 • FAX 970.242.4962

**ALUMINUM MANHOLE RING AND COVER MH-550-32R-AL**



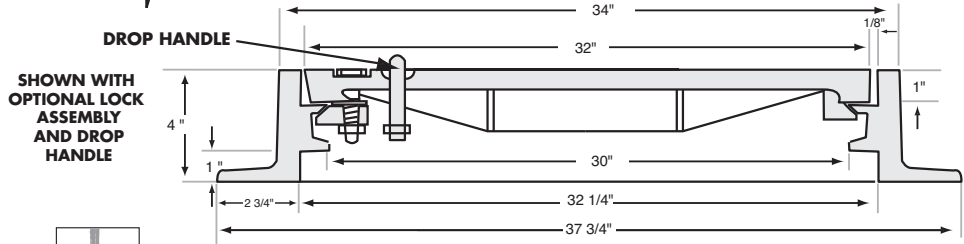
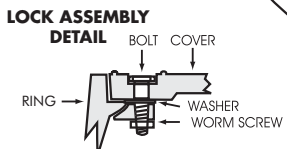
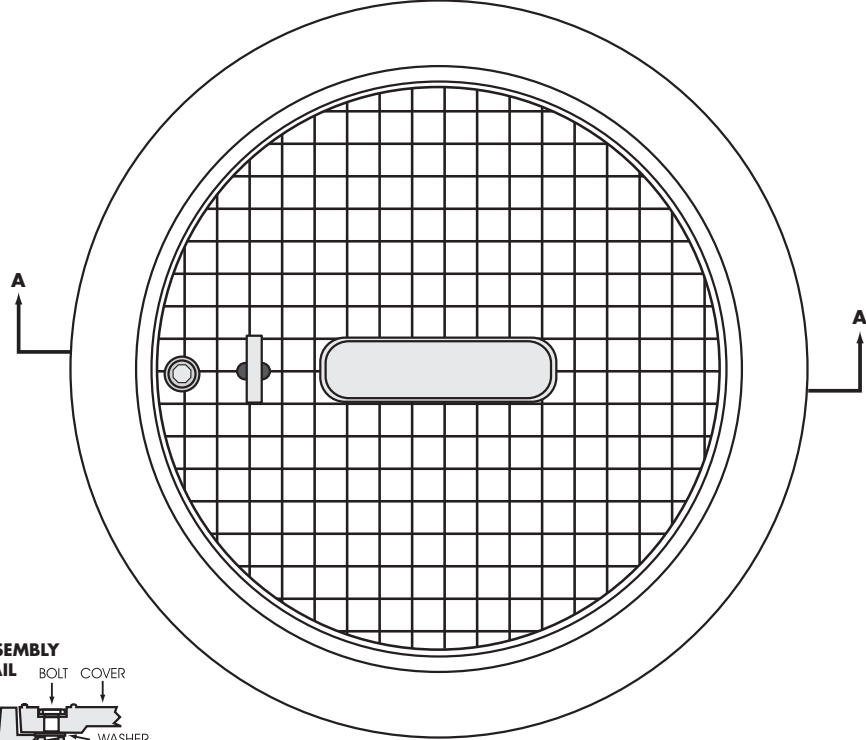
**MH55032RAL**

**APPROXIMATE WEIGHT**

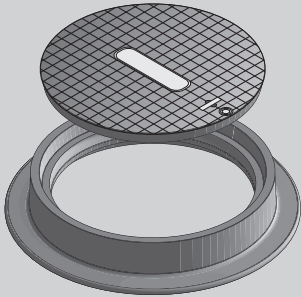
**COVER 86 lb**  
**RING 73 lb**

**H-20 RATED**

**NOTE:**  
**NAMEPLATES—OPTIONAL**  
**MACHINED LID AND RING SEAT**



**ALUMINUM MANHOLE RING AND COVER MH-550-36R-AL**



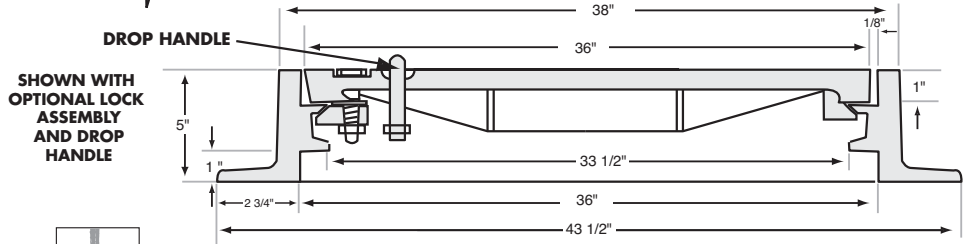
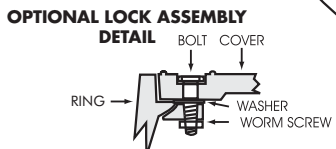
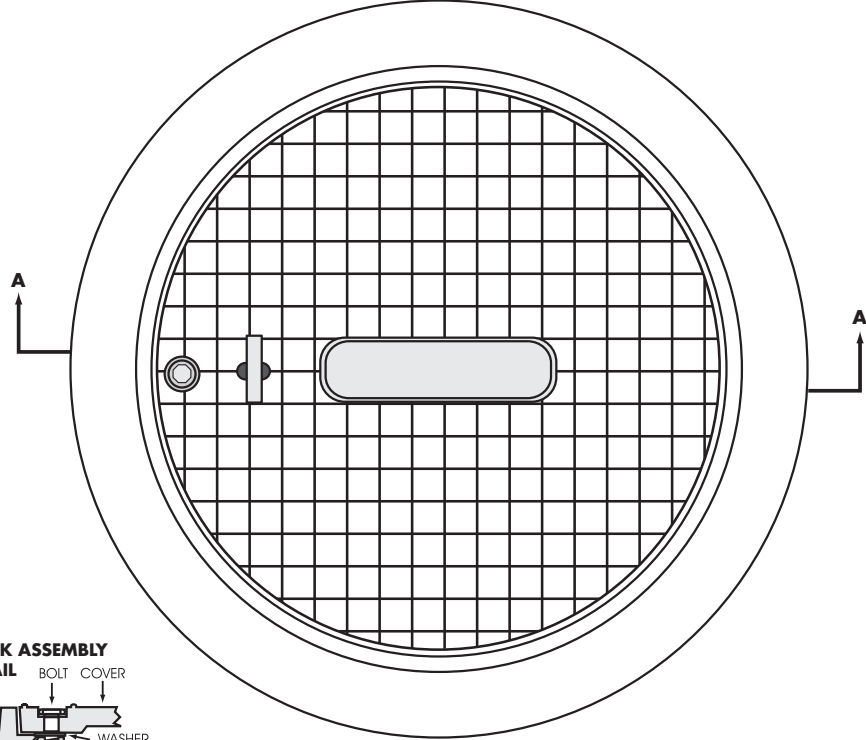
**MH55036RAL**

**APPROXIMATE WEIGHT**

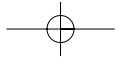
**COVER 150 lb**  
**RING 119 lb**

**H-20 RATED**

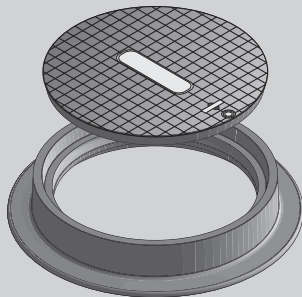
**NOTE:**  
**NAMEPLATES—OPTIONAL**  
**MACHINED LID AND RING SEAT**







**ALUMINUM MANHOLE RING AND COVER MH-550-40 R-AL**



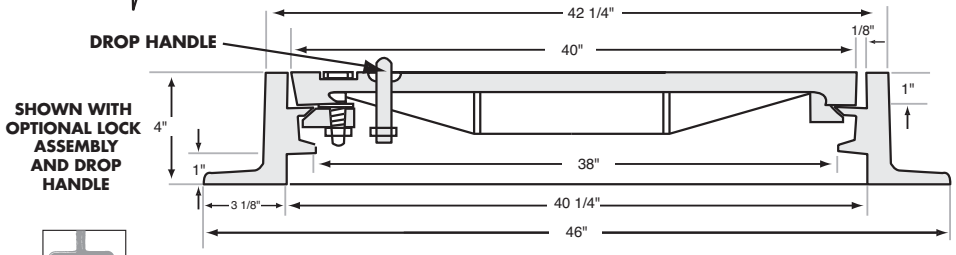
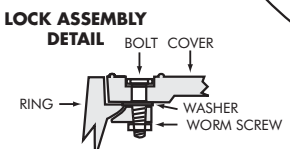
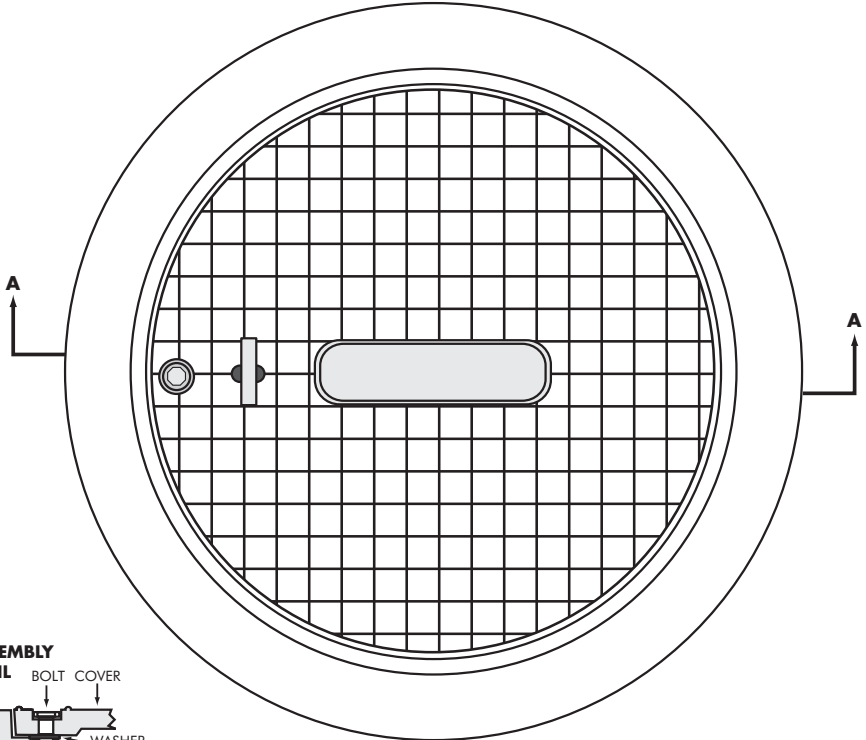
**MH55040RAL**

**APPROXIMATE WEIGHT**

**COVER 139 lb**  
**RING 95 lb**

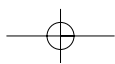
**H-20 RATED**

**NOTE:**  
**NAMEPLATES—OPTIONAL**  
**MACHINED LID AND RING SEAT**



**SHOWN WITH  
OPTIONAL LOCK  
ASSEMBLY  
AND DROP  
HANDLE**

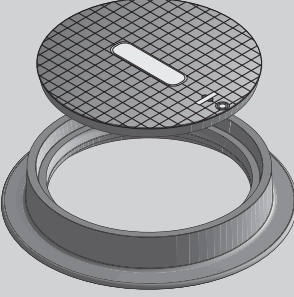
SECTION A-A



**ALUMINUM**

**MANHOLE RING AND COVER**

**MH-550-42 R-AL**



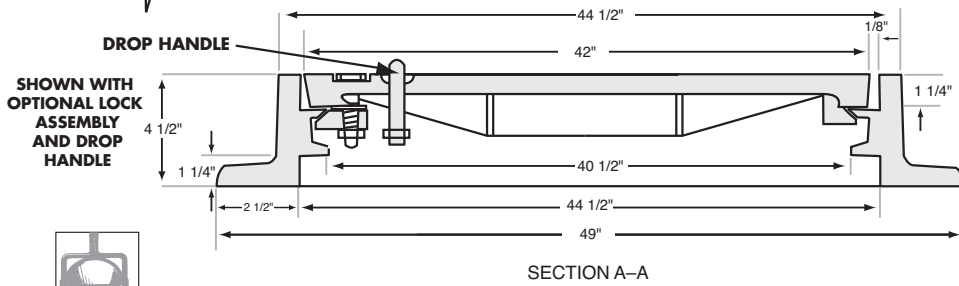
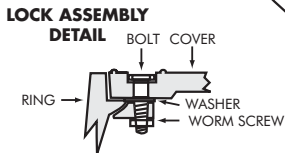
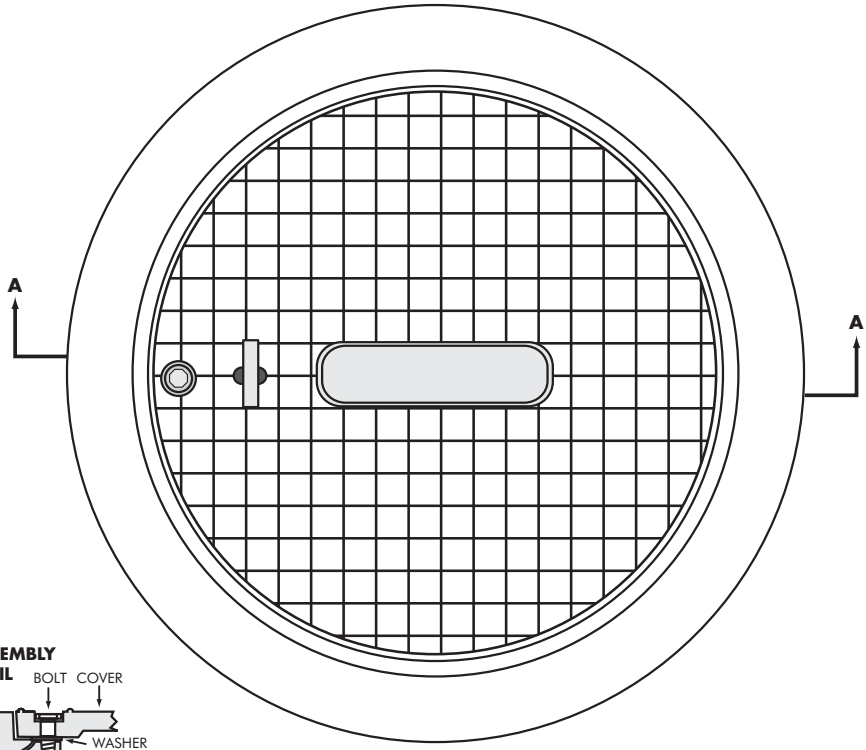
**MH55042RAL**

**APPROXIMATE WEIGHT**

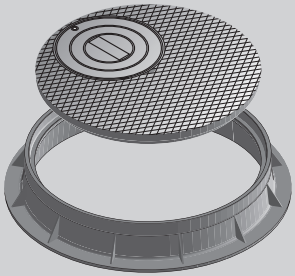
**COVER 140 lb**  
**RING 126 lb**

**H-20 RATED**

**NOTE:**  
**NAMEPLATES—OPTIONAL**  
**MACHINED LID AND RING SEAT**



**ALUMINUM MANHOLE RING AND COVER MH-620-50 AL**

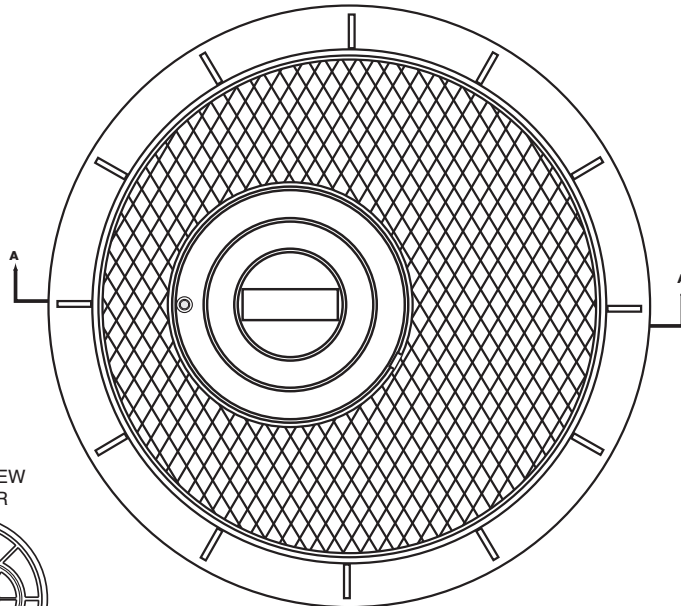


**MH62050AL**

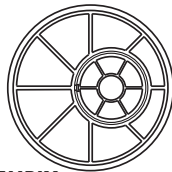
**APPROXIMATE WEIGHT**

<b>LARGE COVER</b>	<b>325 lb</b>
<b>SMALL COVER</b>	<b>51 lb</b>
<b>RING</b>	<b>245 lb</b>

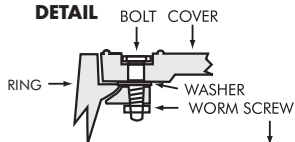
**NOTES:**  
**NAMEPLATES—OPTIONAL**  
**AVAILABLE WITH BOLT DOWN & GASKET**



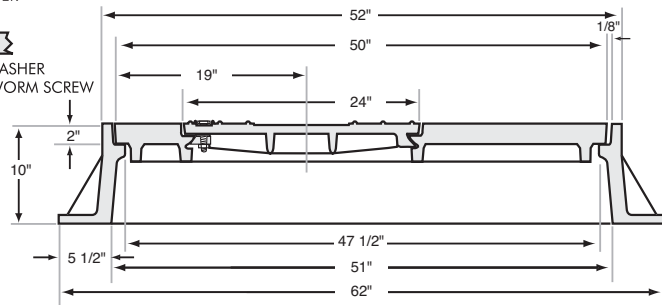
**BOTTOM VIEW OF COVER**



**LOCK ASSEMBLY DETAIL**



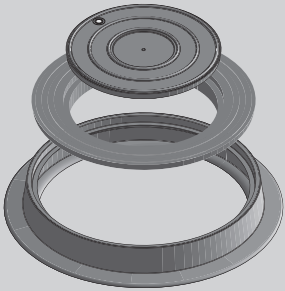
**SHOWN WITH OPTIONAL LOCK ASSEMBLY**



**SECTION A-A**



**ALUMINUM MANHOLE RING AND COVER MH-700-36-24 AL**

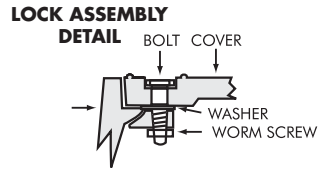
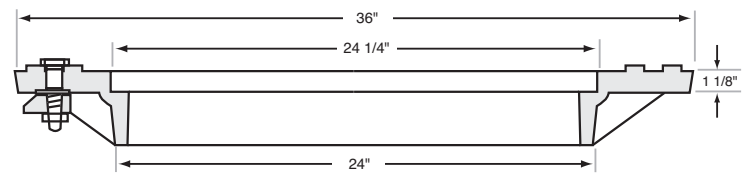
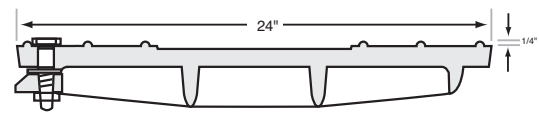
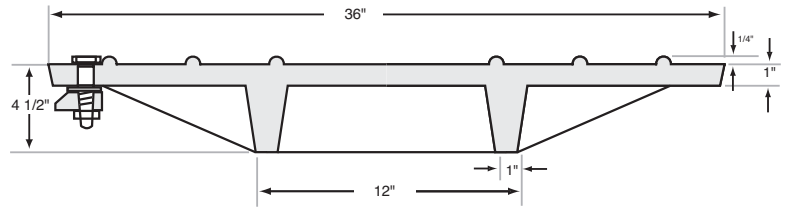


**APPROXIMATE WEIGHT**

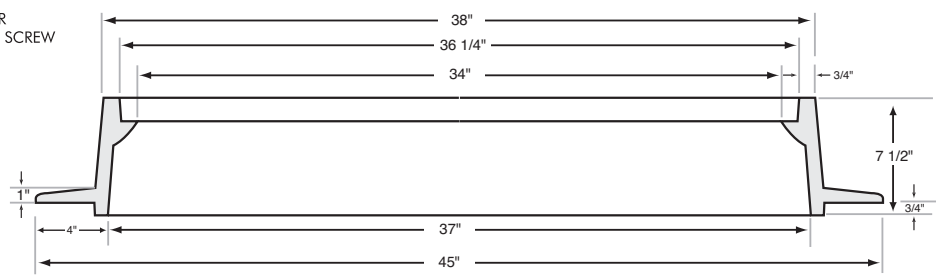
**SINGLE LID 140 lb**  
**DOUBLE LID 160 lb**  
**RING 107 lb**  
**H-20 RATED**

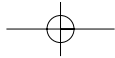
**NOTES:**  
**NAMEPLATES—CAST AS PER REQUIRED**  
**MACHINING—LID & RING SEAT**  
**AVAILABLE WITH SINGLE OR DOUBLE LID**

**MH7003624AL**

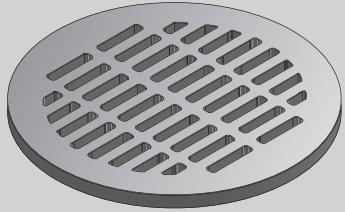


SHOWN WITH OPTIONAL LOCK ASSEMBLY



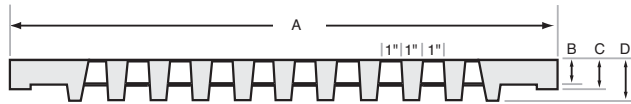
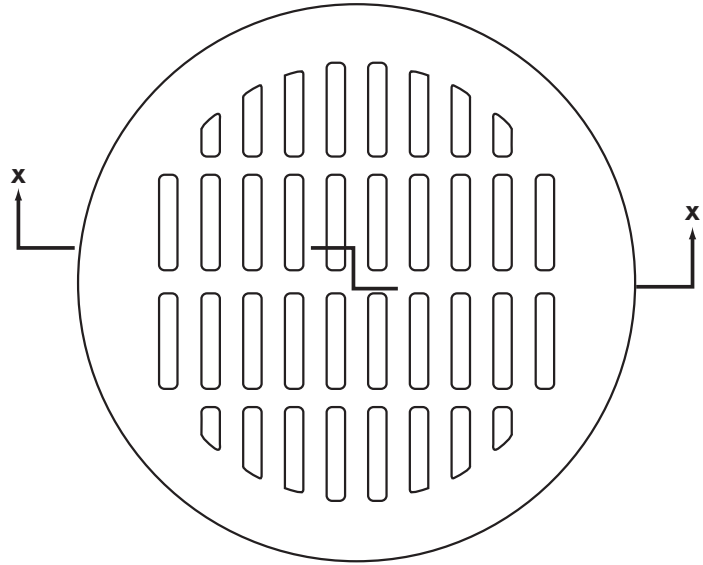


**ALUMINUM MANHOLE GRATE AND COVER GMH COVER AL**



**APPROXIMATE WEIGHT—VARIES**

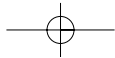
**NOTE:  
MACHINING—LID SEAT**

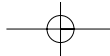


SECTION X-X

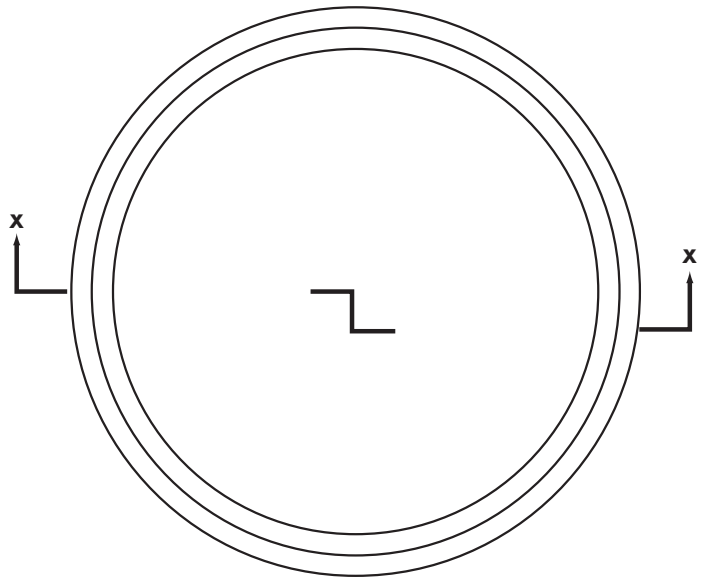
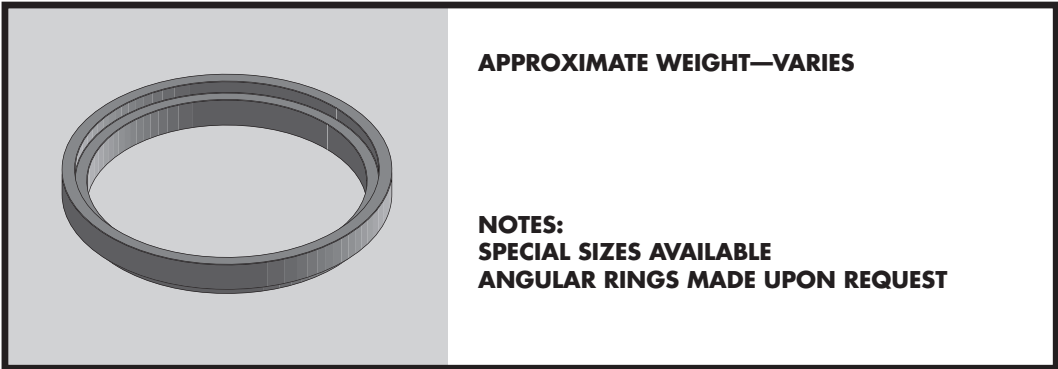
PART NO.	DIMENSIONS (Inches) *				APPROX. WT (lbs)
	A	B	C	D	
GMH15426	26	1 1/2	2	2	57
GMH13825	25	1 1/2	2	2	51
GMH12224	24	1	1	2	36

\*Please call for other sizes.



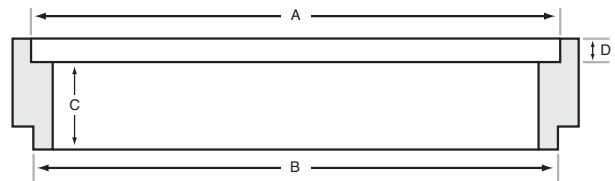


**ALUMINUM MANHOLE EXTENSION RING ER AL**



**STANDARD SIZES**

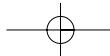
RISE (inches)	LID DIAM. (inches)	APPROX. WT (lbs)
1 1/2	22	17
2	22	20
1 1/2	23	18
2	23	23
1 1/2	24	18
2	24	21
2 1/2	24	23
3	24	26
4	24	42
1 1/2	25	21
2	25	28
2	26	31
2	28-28 1/2	35
2	30	50
2 1/2	30	52
3	30	55
2	31 1/2	57
3	31 1/2	59
2 1/2	32	60
4	32	65
2	37 1/4 x 7/8	36
2	38 1/2 x 1 3/8	45

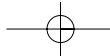


SECTION X-X

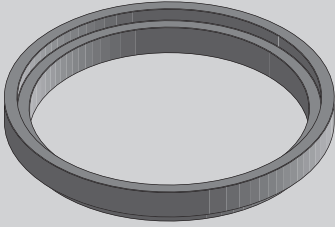
WHEN ORDERING SPECIAL SIZES, STATE THE FOLLOWING:

- A - LID OPENING DIAMETER
- B - LID DIAMETER
- C - EXTENSION RISE
- D - LID THICKNESS



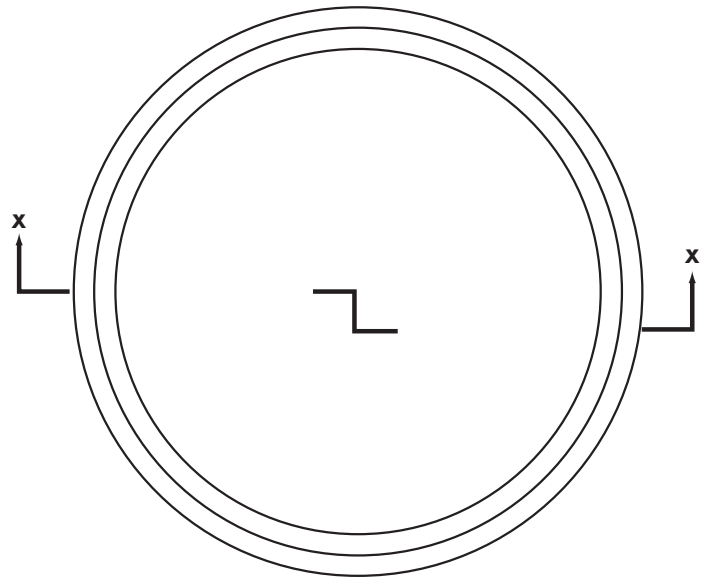


**ALUMINUM MANHOLE EXTENSION RING ALBQ N. MEX. ER AL**



**APPROXIMATE WEIGHT—VARIES**

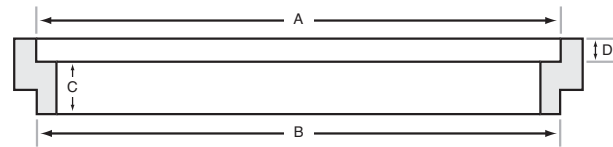
**NOTES:  
SPECIAL SIZES AVAILABLE  
ANGULAR RINGS MADE UPON REQUEST**



**STANDARD SIZES (inches)**

A	B	C*	D
23 5/8	23 1/2		2 3/8
23 3/4	23 5/8		2 1/2
23 3/4	23 5/8		2 5/8
23 7/8	23 3/4		2
23 7/8	23 3/4		2 1/4
23 7/8	23 3/4		2 3/8
23 7/8	23 3/4		2 1/2
23 7/8	23 3/4		2 5/8
23 7/8	23 3/4		2 3/4
24	23 7/8		2 1/2
25	24 7/8		1

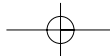
\* WHEN ORDERING, STATE REQUIRED RISE.



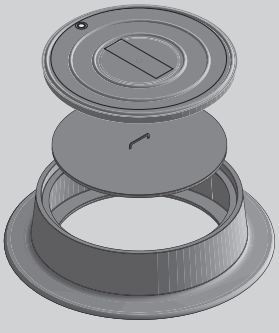
SECTION X-X

WHEN ORDERING SPECIAL SIZES, STATE THE FOLLOWING:

- A – LID OPENING DIAMETER
- B – LID DIAMETER
- C – EXTENSION RISE
- D – LID THICKNESS



**ALUMINUM MANHOLE RING AND COVER MH-100-24 FROST PROOF AL**



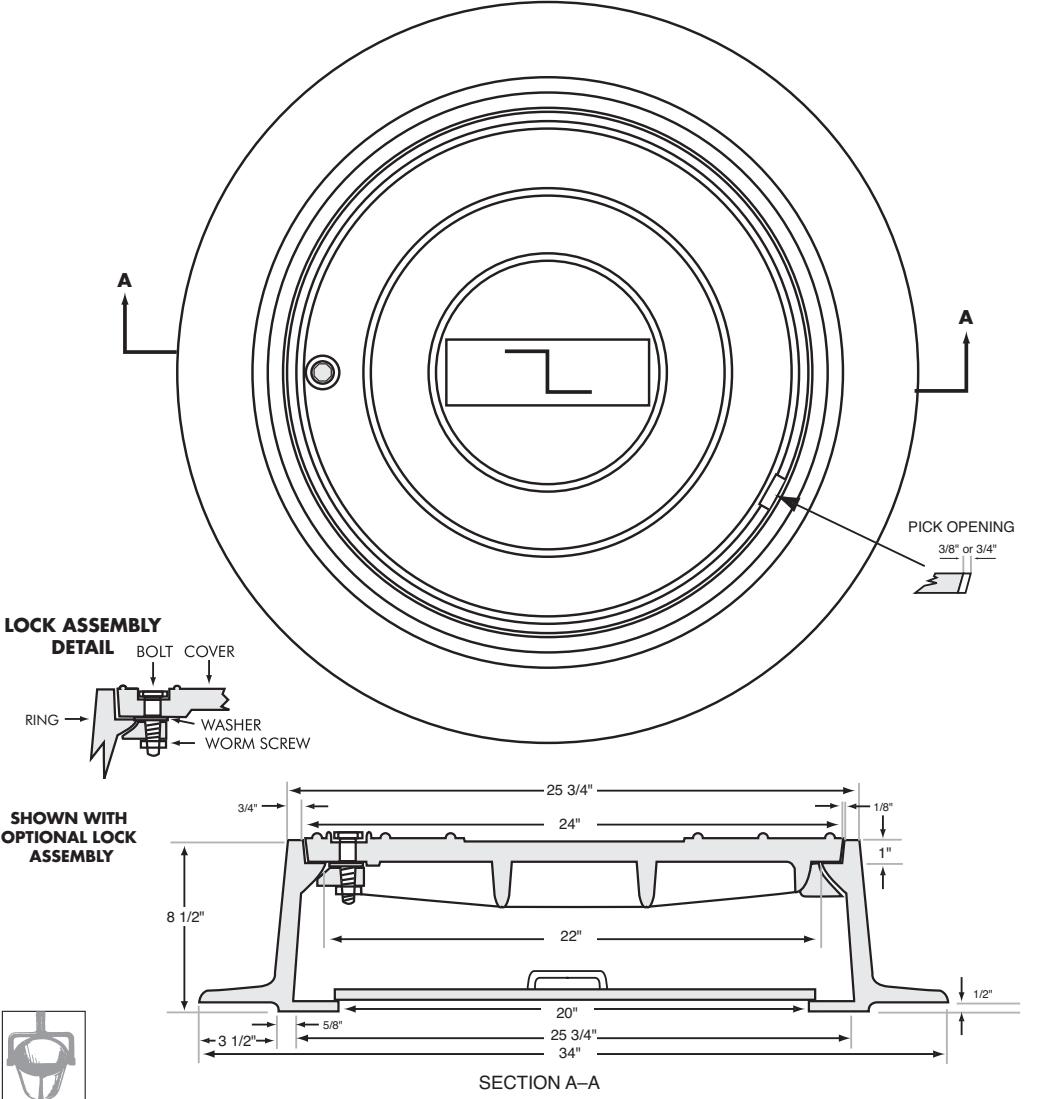
**MH10024ALFP**

**APPROXIMATE WEIGHT**

<b>COVER</b>	<b>50 lb</b>
<b>RING</b>	<b>85 lb</b>
<b>INNER LID</b>	<b>14 lb</b>

**H-20 RATED**

**NOTES:**  
**NAMEPLATES—OPTIONAL**  
**AVAILABLE WITH BOLT DOWN & GASKET**

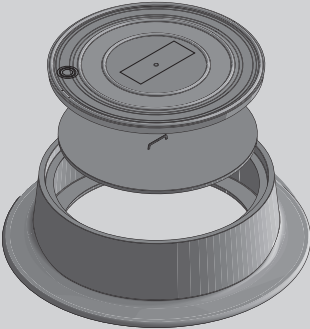




**ALUMINUM**

**MANHOLE RING AND COVER**

**MH-150-24-FROST PROOF AL**



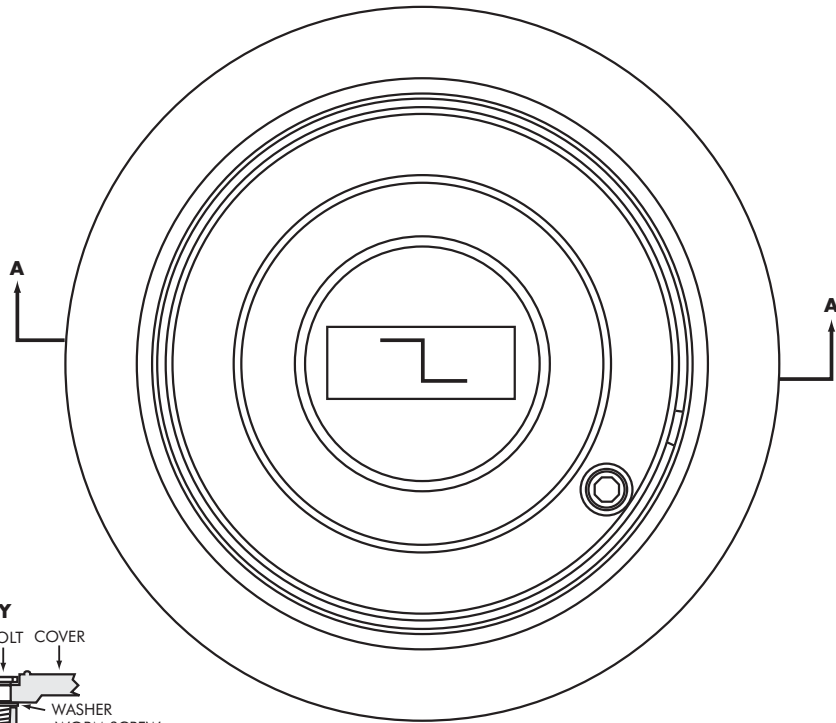
**MH15024ALFP**

**APPROXIMATE WEIGHT**

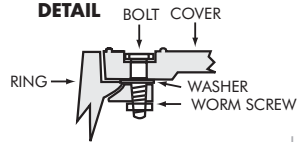
<b>COVER</b>	<b>50 lb</b>
<b>RING</b>	<b>57 lb</b>
<b>INNER LID</b>	<b>14 lb</b>

**H-20 RATED**

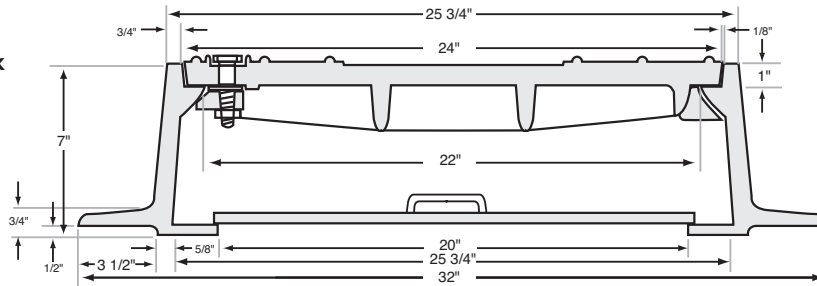
**NOTES:**  
**NAMEPLATES—OPTIONAL**  
**AVAILABLE WITH BOLT DOWN & GASKET**



**LOCK ASSEMBLY  
DETAIL**



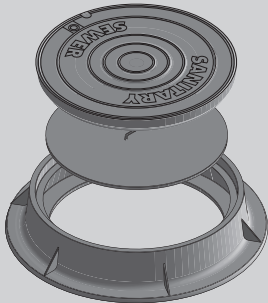
**SHOWN WITH  
OPTIONAL LOCK  
ASSEMBLY**



SECTION A-A



**ALUMINUM MANHOLE RING AND COVER MH-400P FROST PROOF AL**



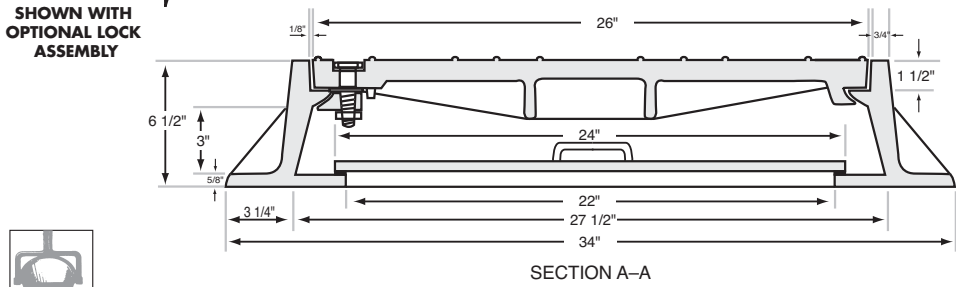
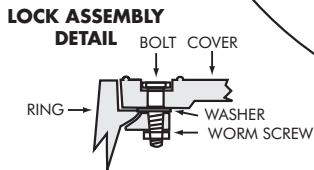
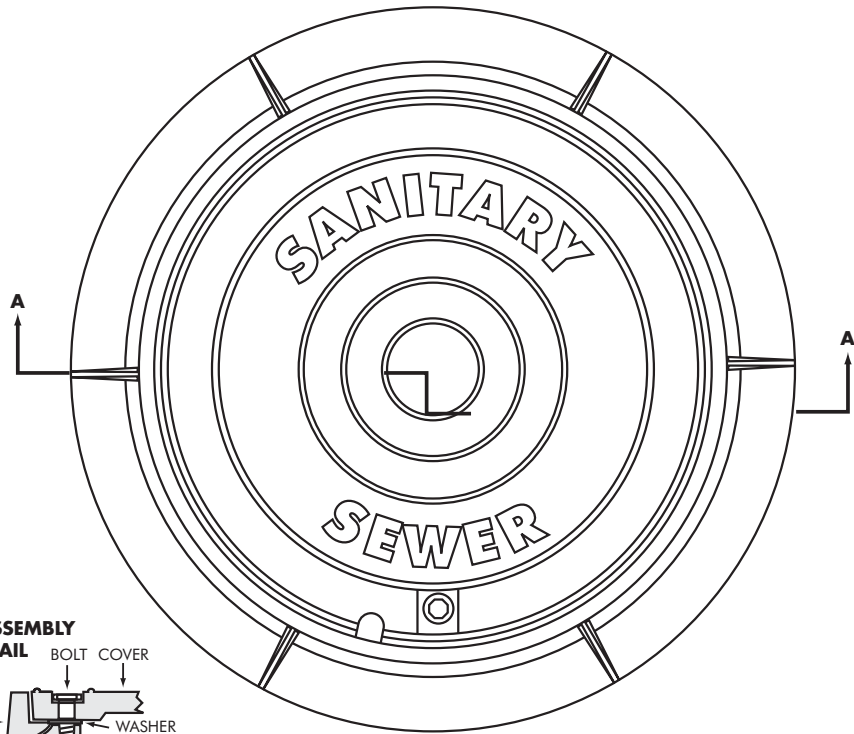
**MH400PALFP**

**APPROXIMATE WEIGHT**

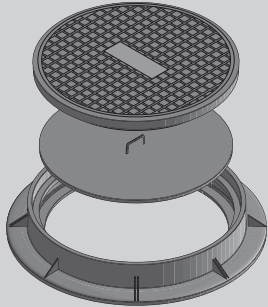
<b>COVER</b>	<b>60 lb</b>
<b>RING</b>	<b>68 lb</b>
<b>INNER LID</b>	<b>14 lb</b>

**H-20 RATED**

**NOTES:**  
**NAMEPLATES—OPTIONAL**  
**AVAILABLE WITH BOLT DOWN & GASKET**



**ALUMINUM MANHOLE RING AND COVER MH-550-31 FROST PROOF AL**



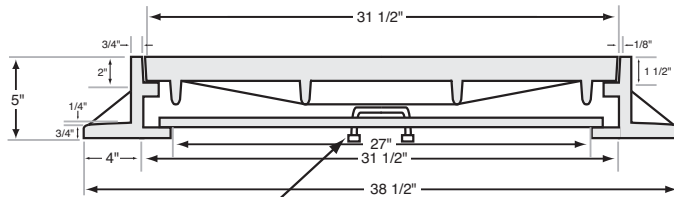
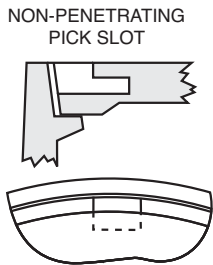
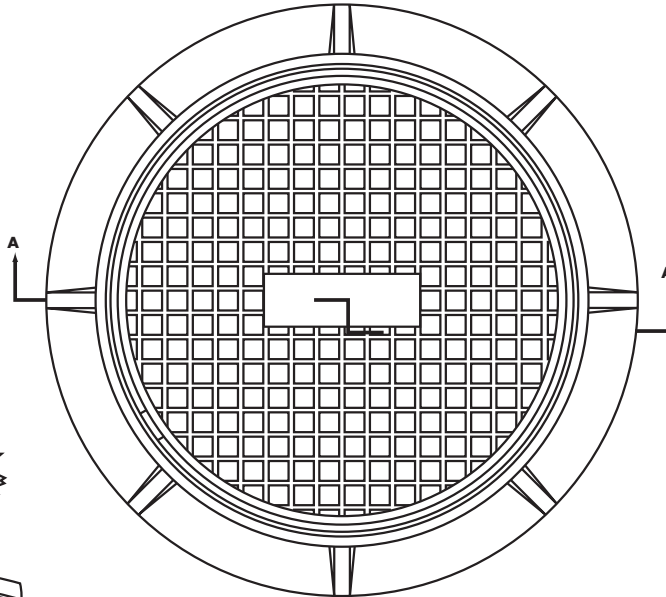
**MH55031ALFP**

**APPROXIMATE WEIGHT**

**COVER 105 lb**  
**RING 87 lb**  
**INNER LID 24 lb**

**H-20 RATED**

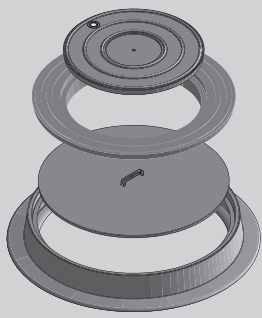
**NOTES:**  
**NAMEPLATES—OPTIONAL**  
**AVAILABLE WITH BOLT DOWN & GASKET**



DROP HANDLE  
SECTION A-A



**ALUMINUM MANHOLE RING AND COVER MH-700-36-24 FROST PROOF AL**



**MH7003624ALFP**

**APPROXIMATE WEIGHT**

<b>SINGLE LID</b>	<b>140 lb</b>
<b>DOUBLE LID</b>	<b>151 lb</b>
<b>RING</b>	<b>120 lb</b>
<b>INNER LID</b>	<b>30 lb</b>

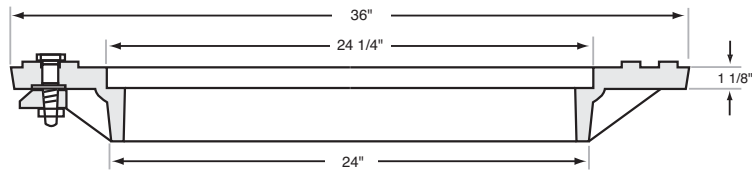
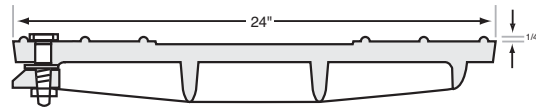
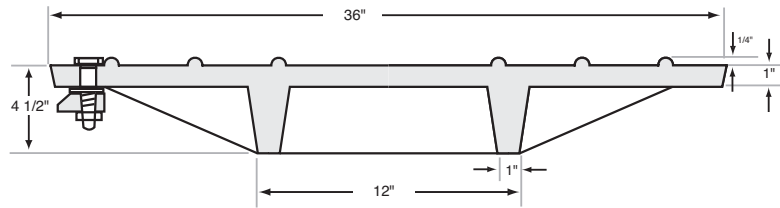
**H-20 RATED**

**NOTES:**

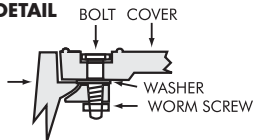
**NAMEPLATES—CAST AS PER REQUIRED**

**MACHINING—LID & RING SEAT**

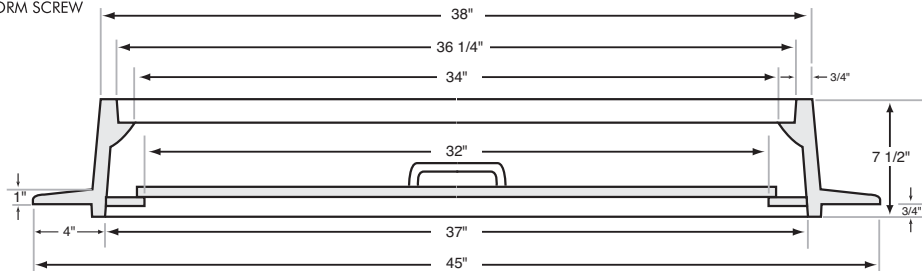
**AVAILABLE WITH SINGLE OR DOUBLE LID**



**LOCK ASSEMBLY  
DETAIL**

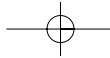


**SHOWN WITH  
OPTIONAL LOCK  
ASSEMBLY**



**CASTINGS INC.**

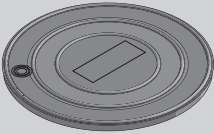
860 4TH AVE. • P.O. BOX 669 • GRAND JCT, CO 81502 • 970.243.2032 • FAX 970.242.4962

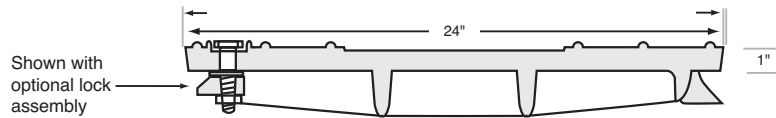
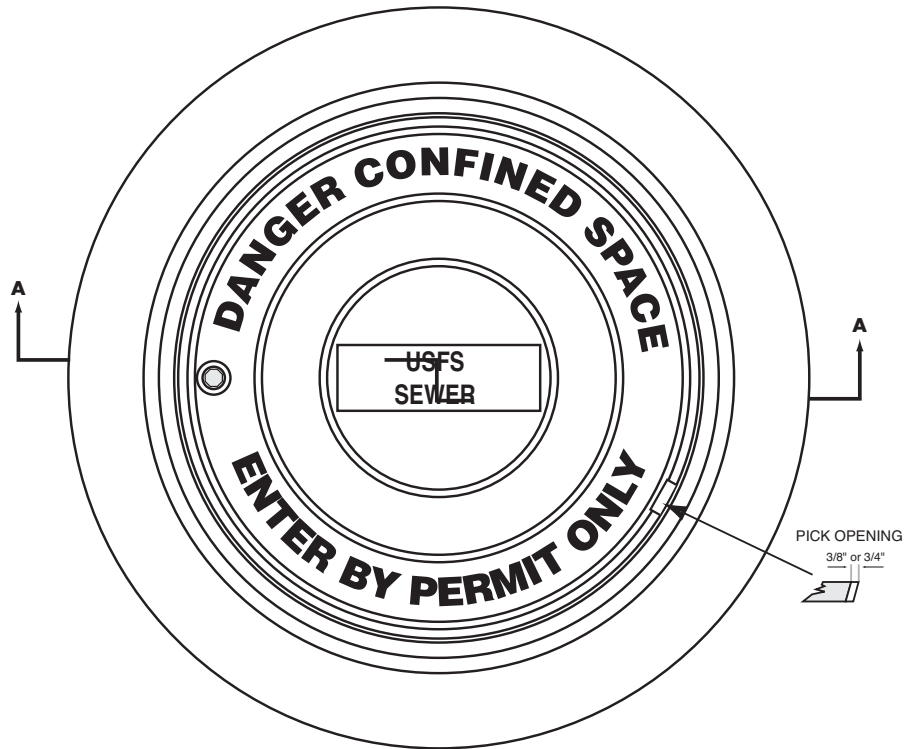


**ALUMINUM**

**MANHOLE RING AND COVER**

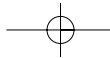
**USFS 24 AL**

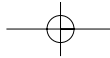
	<b>USFS24AL</b>
	<b>APPROXIMATE WEIGHT</b>
	<b>COVER 50 lb</b>
	<b>H-20 RATED</b>
<b>NOTE:</b> <b>AVAILABLE WITH BOLT DOWN &amp; GASKET</b>	



**CASTINGS INC.**

860 4TH AVE. • P.O. BOX 669 • GRAND JCT, CO 81502 • 970.243.2032 • FAX 970.242.4962

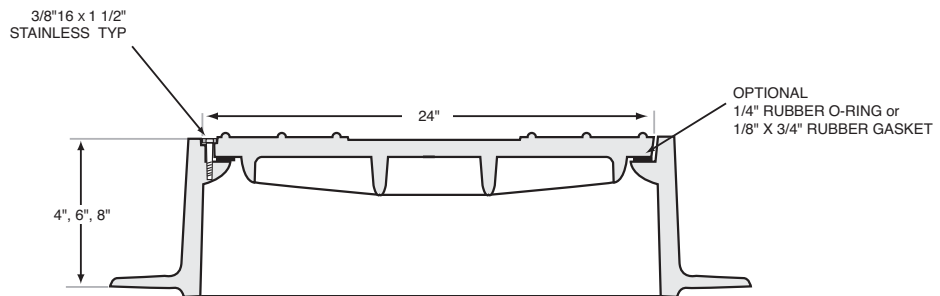
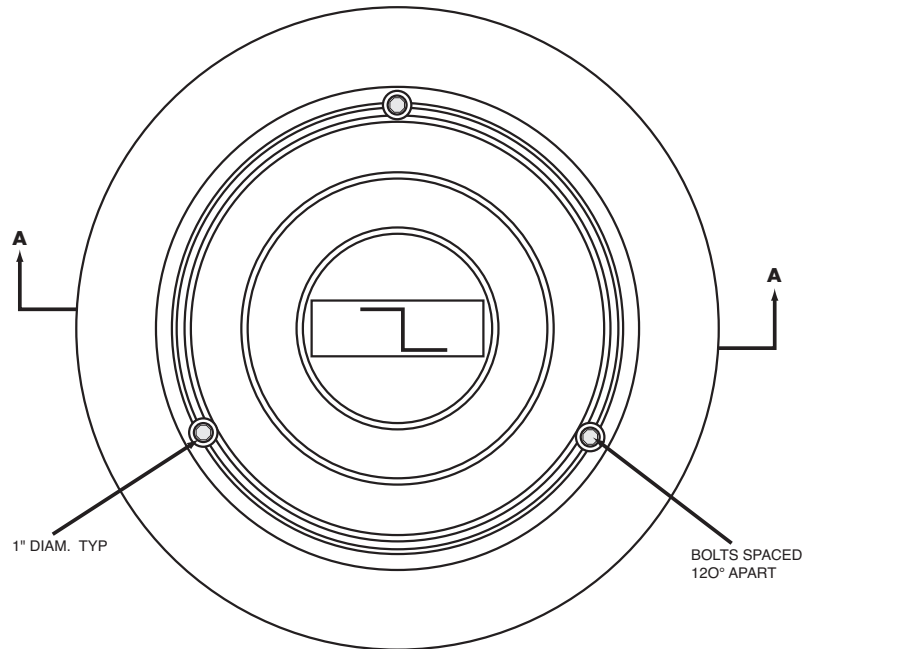
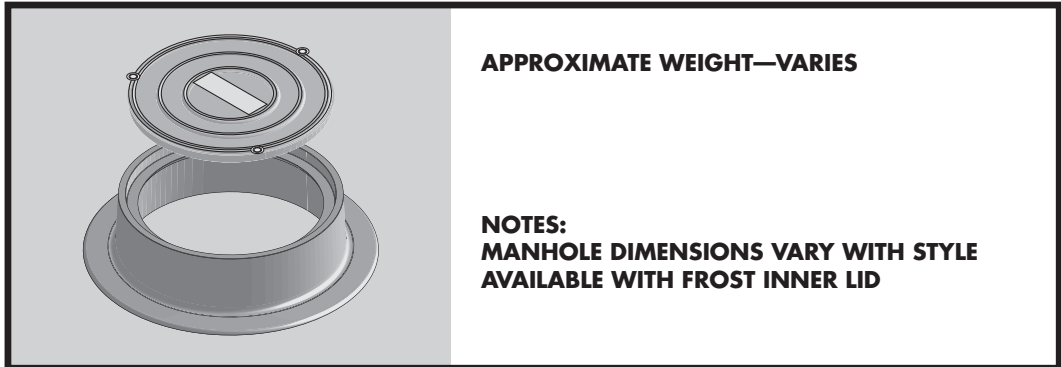




**ALUMINUM**

**MANHOLE RING AND COVER**

**MH BOLT & GASKET AL**

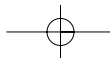


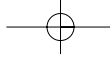
SECTION A-A



**CASTINGS INC.**

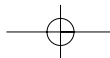
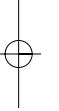
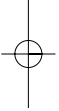
860 4TH AVE. • P.O. BOX 669 • GRAND JCT, CO 81502 • 970.243.2032 • FAX 970.242.4962

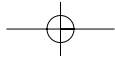




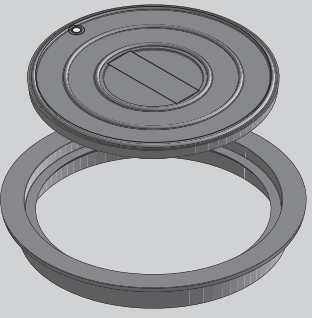
# **SECTION 4**

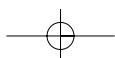
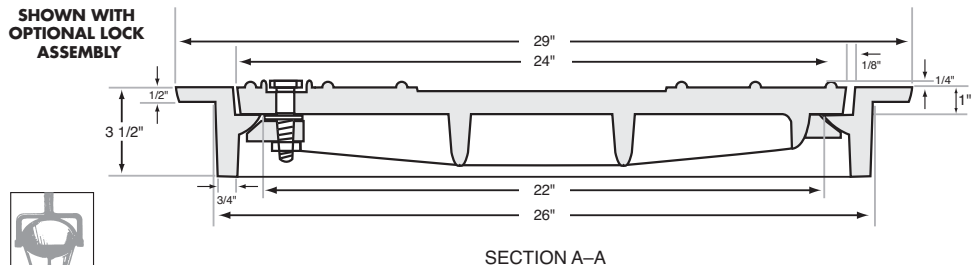
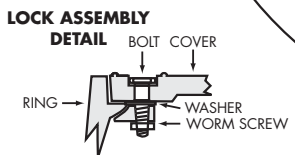
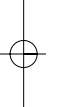
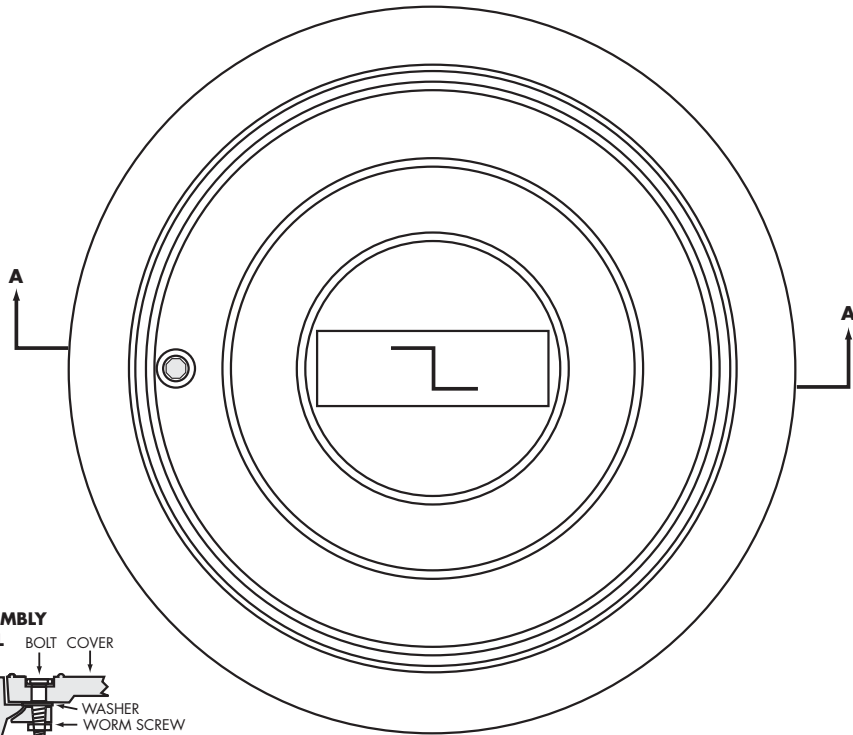
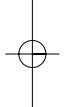
## **ALUMINUM INVERTED MANHOLE RING AND COVERS**



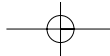


**ALUMINUM MANHOLE RING AND COVER IMH-85-24 AL**

	<b>APPROXIMATE WEIGHT</b>	<b>IMH8524AL</b>
	<b>COVER</b>	<b>51 lb</b>
	<b>RING</b>	<b>31 lb</b>
	<b>H-20 RATED</b>	
<b>NOTES: NAMEPLATES—OPTIONAL AVAILABLE WITH BOLT DOWN &amp; GASKET</b>		

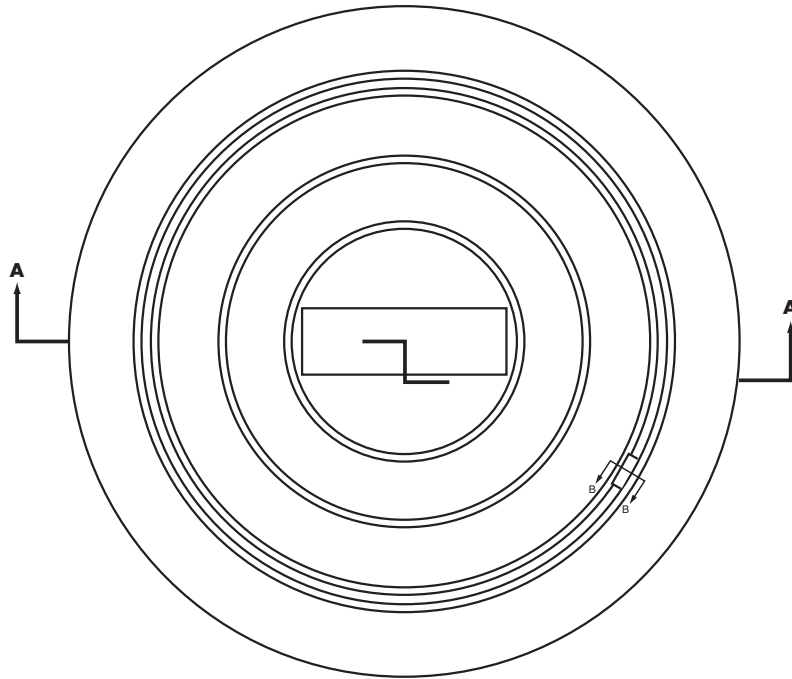




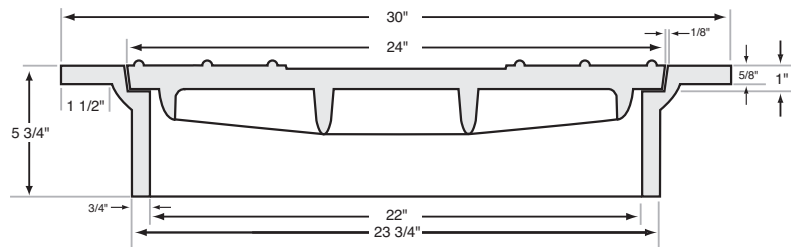
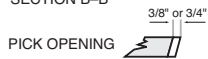


**ALUMINUM      INVERTED MANHOLE RING AND COVER      IMH-150-24 AL**

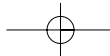
	<b>APPROXIMATE WEIGHT</b>	<b>IMH15024AL</b>	
	<b>COVER</b>	<b>50 lb</b>	
	<b>RING</b>	<b>42 lb</b>	
	<b>H-20 RATED</b>		
<b>NOTES:                  NAMEPLATES—OPTIONAL                  AVAILABLE WITH BOLT DOWN &amp; GASKET</b>			

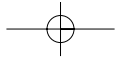


SECTION B-B

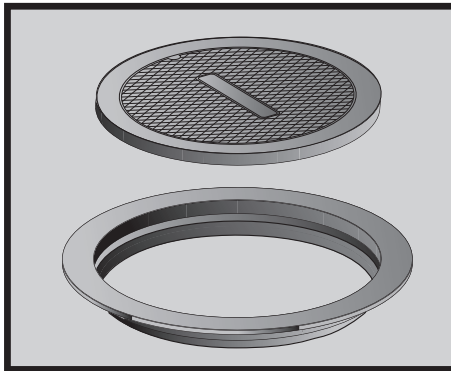


SECTION A-A





**ALUMINUM MANHOLE RING AND COVER IMH-225-28 AL**

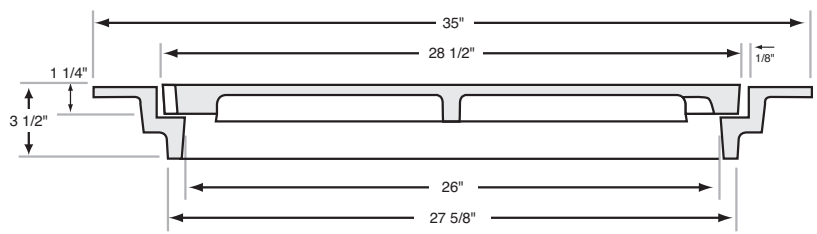
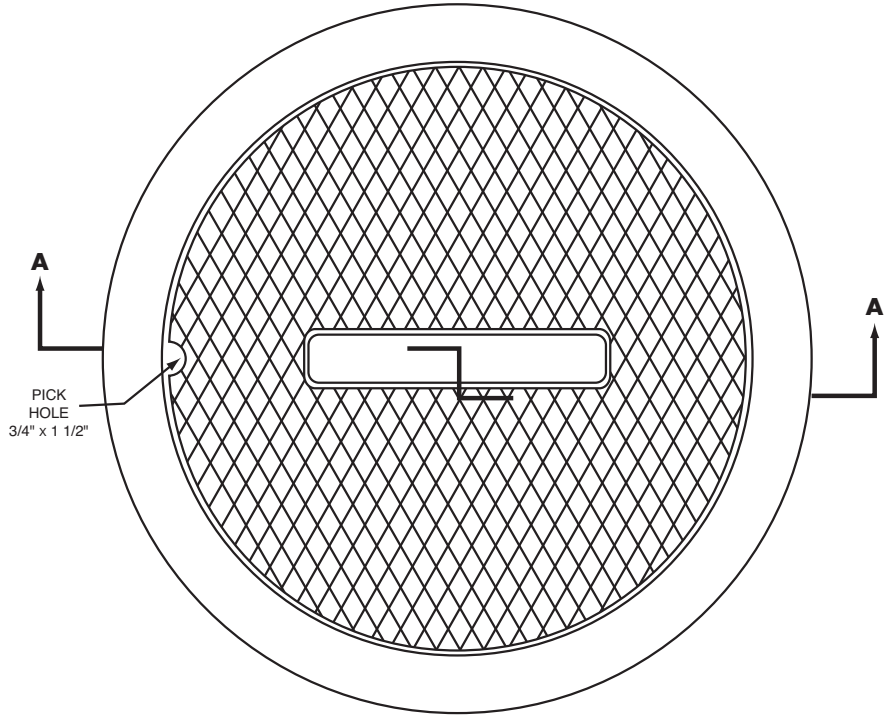


**IMH22528AL**

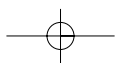
**APPROXIMATE WEIGHT**

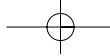
**COVER 50 lb**  
**RING 35 lb**

**NOTES:**  
**NAMEPLATES—OPTIONAL**  
**AVAILABLE WITH BOLT DOWN & GASKET**



SECTION A-A

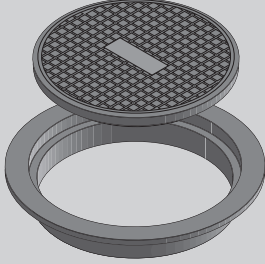


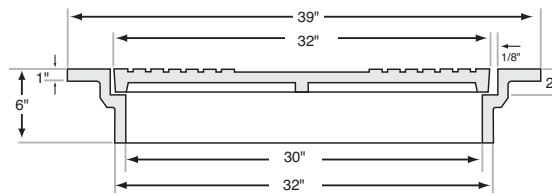
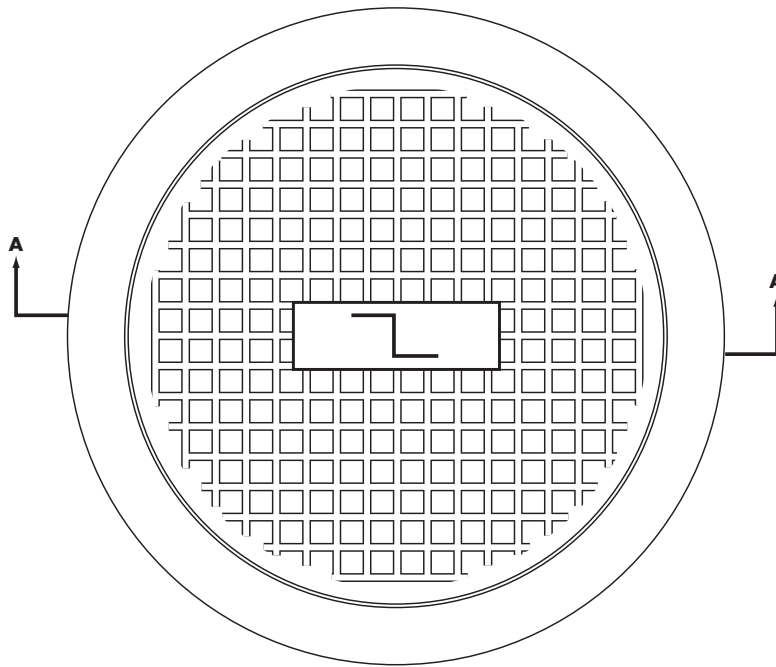


**ALUMINUM**

**MANHOLE RING AND COVER**

**IMH-550-32 AL**

	<b>APPROXIMATE WEIGHT</b>	<b>IMH55032AL</b>
	<b>COVER</b> 75 lb <b>RING</b> 66 lb	
<b>NOTES:</b> <b>NAMEPLATES—OPTIONAL</b> <b>AVAILABLE WITH BOLT DOWN &amp; GASKET</b>		

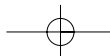


SECTION A-A

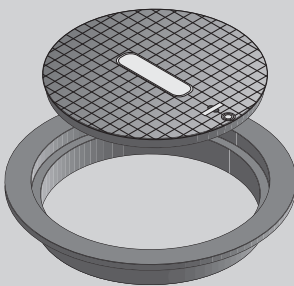


**CASTINGS INC.**

860 4TH AVE. • P.O. BOX 669 • GRAND JCT, CO 81502 • 970.243.2032 • FAX 970.242.4962



**ALUMINUM MANHOLE RING AND COVER IMH-550-32R-AL**



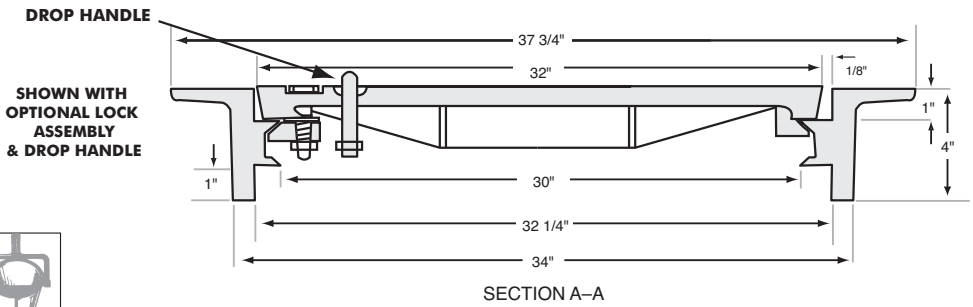
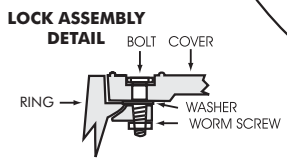
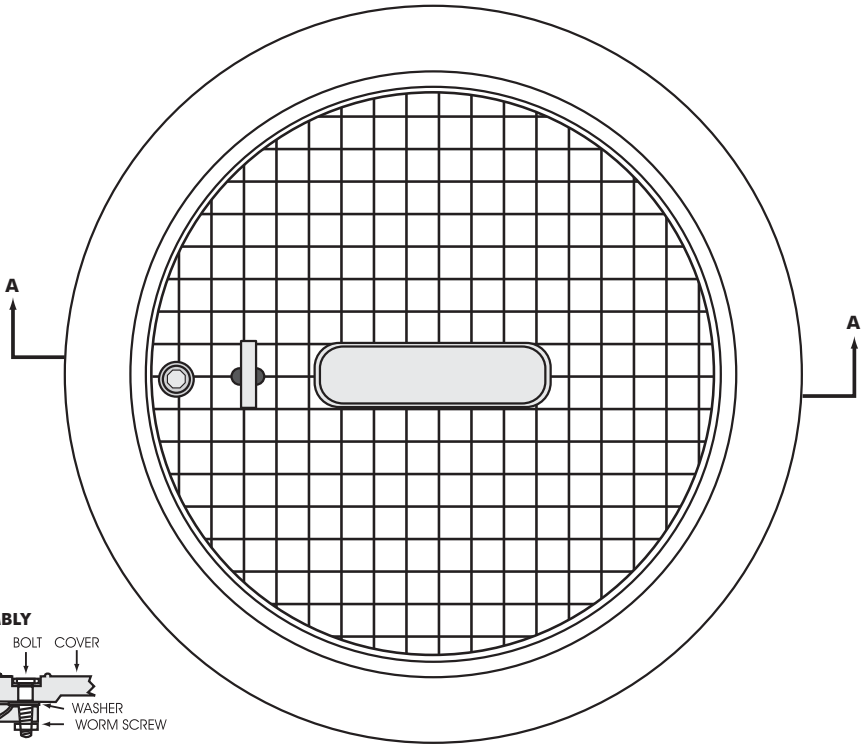
**IMH55032RAL**

**APPROXIMATE WEIGHT**

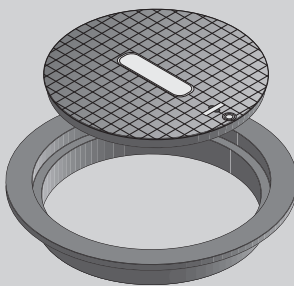
**COVER 86 lb**  
**RING 73 lb**

**H-20 RATED**

**NOTE:**  
**NAMEPLATES—OPTIONAL**  
**MACHINED LID AND RING SEAT**



**ALUMINUM MANHOLE RING AND COVER IMH-550-36R-AL**



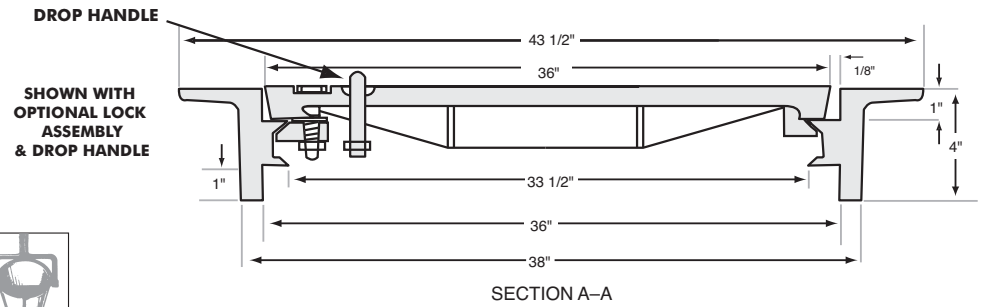
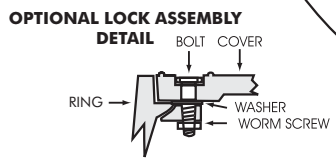
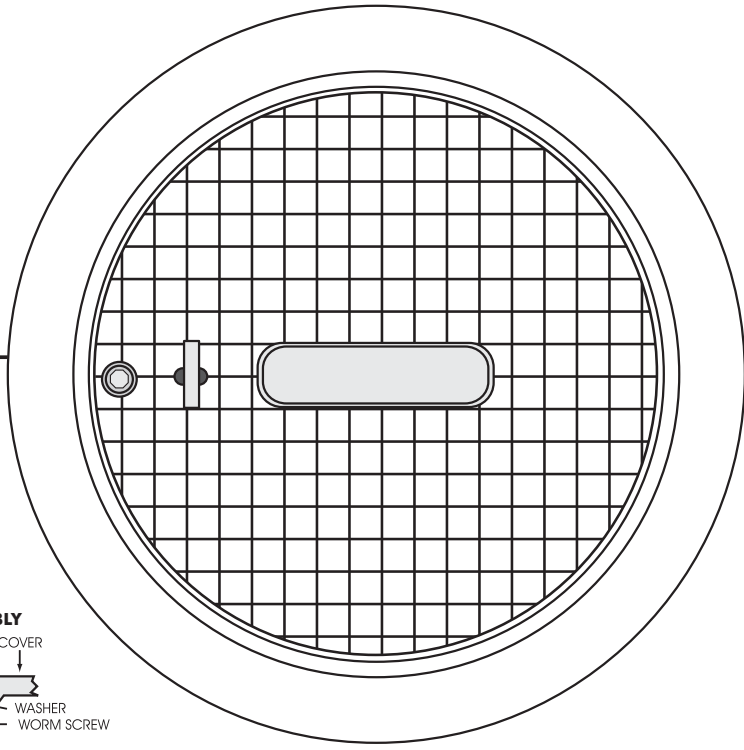
**IMH55036RAL**

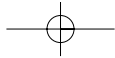
**APPROXIMATE WEIGHT**

**COVER 150 lb**  
**RING 119 lb**

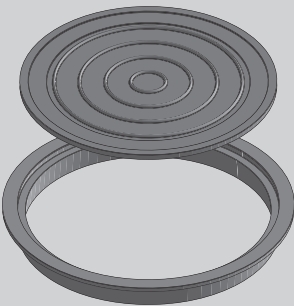
**H-20 RATED**

**NOTE:**  
**NAMEPLATES—OPTIONAL**  
**MACHINED LID AND RING SEAT**





**ALUMINUM** **MANHOLE RING AND COVER** **IMH-530-38 AL**

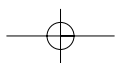
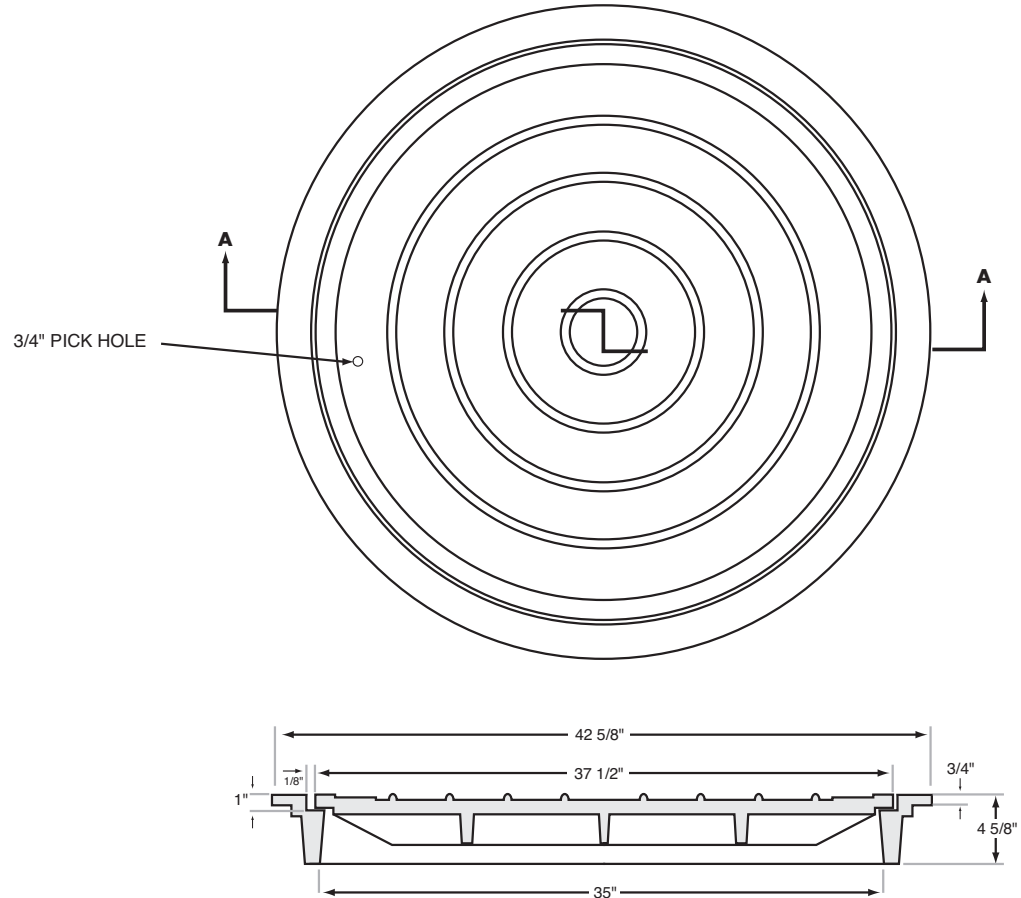


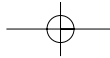
**APPROXIMATE WEIGHT** **IMH53038AL**

**COVER** 105 lb  
**RING** 75 lb

**H-20 RATED**

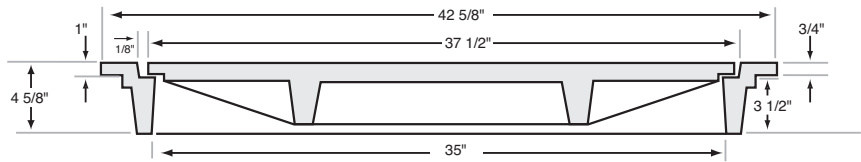
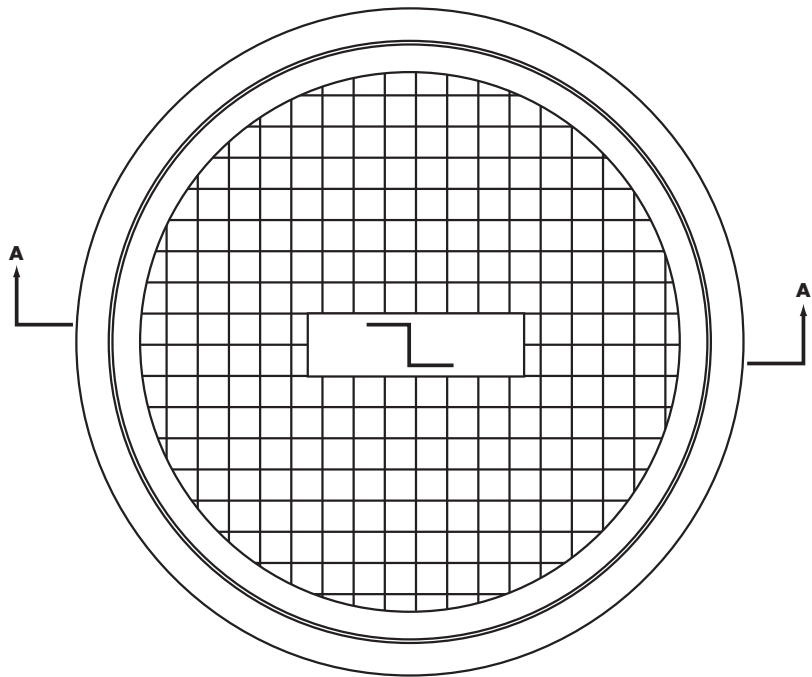
**NOTES:**  
**NAMEPLATES—OPTIONAL**  
**AVAILABLE WITH BOLT DOWN & GASKET**



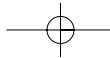


**ALUMINUM MANHOLE RING AND COVER IMH-530-38 AL**

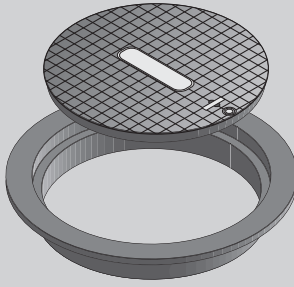
	<b>APPROXIMATE WEIGHT</b>	<b>IMH53038AL</b>
	<b>COVER</b>	<b>127 lb</b>
	<b>RING</b>	<b>75 lb</b>
	<b>H-20 RATED</b>	
<b>NOTES: NAMEPLATES—OPTIONAL AVAILABLE WITH BOLT DOWN &amp; GASKET</b>		



SECTION A-A



**ALUMINUM MANHOLE RING AND COVER IMH-550-40 R-AL**



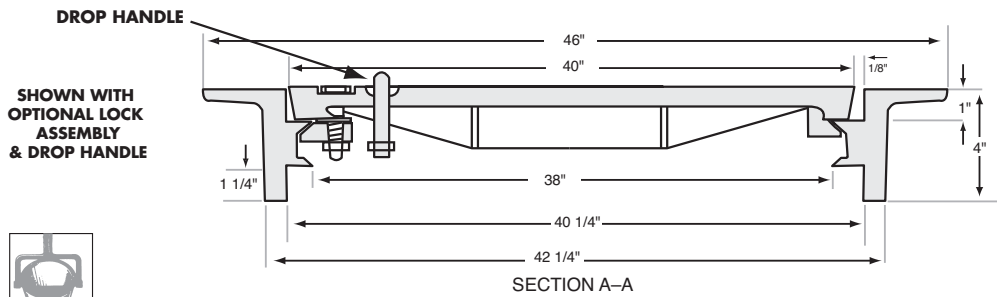
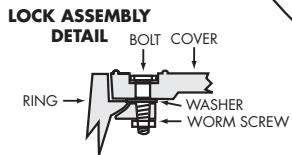
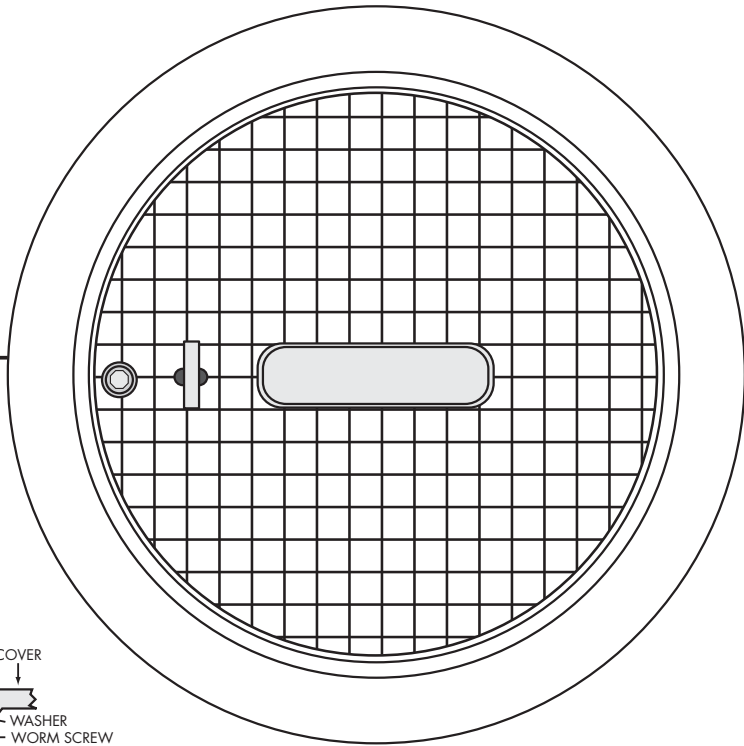
**IMH55040RAL**

**APPROXIMATE WEIGHT**

**COVER 139**  
**RING 95**

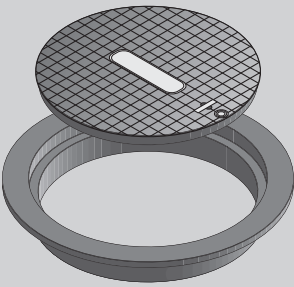
**H-20 RATED**

**NOTE:**  
**NAMEPLATES—OPTIONAL**  
**MACHINED LID AND RING SEAT**





**ALUMINUM MANHOLE RING AND COVER IMH-550-42R AL**



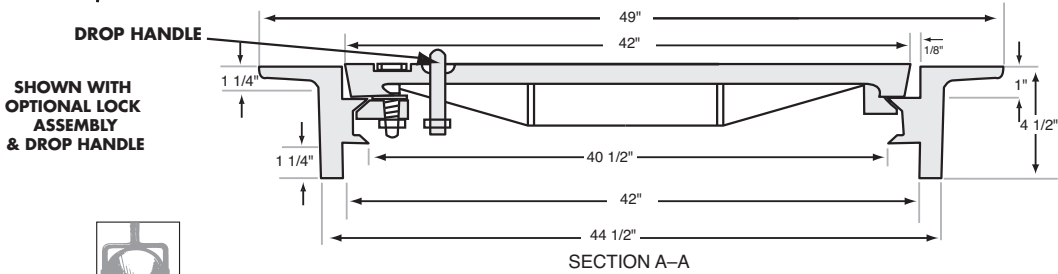
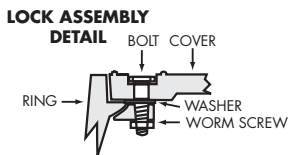
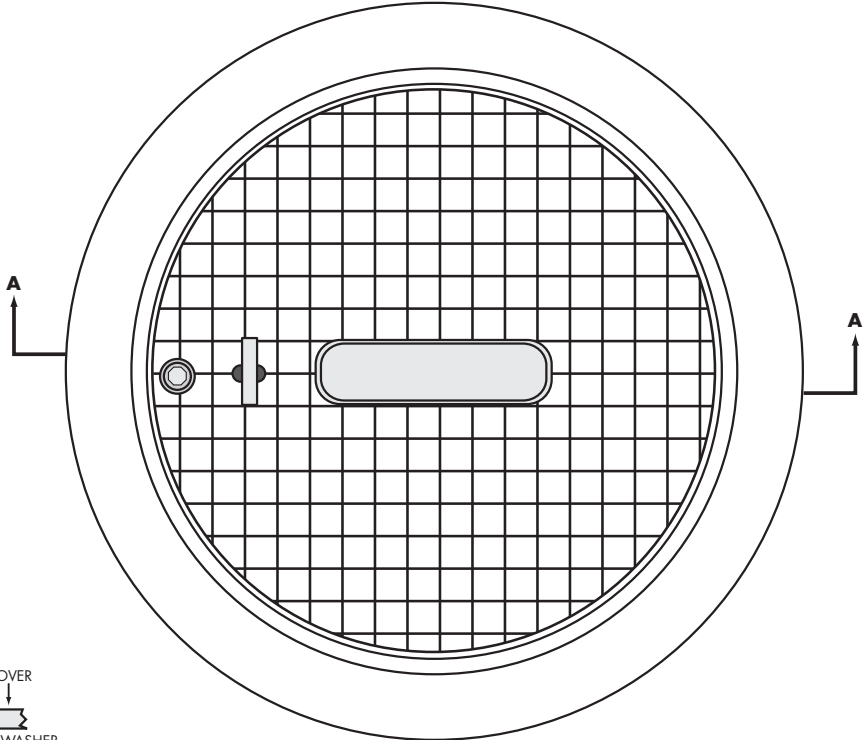
**IMH55042RAL**

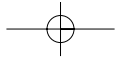
**APPROXIMATE WEIGHT**

**COVER 140 lb**  
**RING 126 lb**

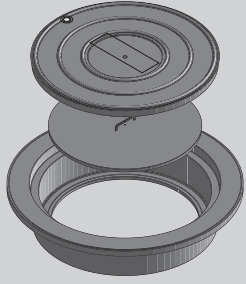
**H-20 RATED**

**NOTE:**  
**NAMEPLATES—OPTIONAL**  
**MACHINED LID AND RING SEAT**





**ALUMINUM INVERTED MANHOLE RING AND COVER IMH-150-24 FROST PROOF AL**



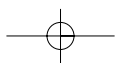
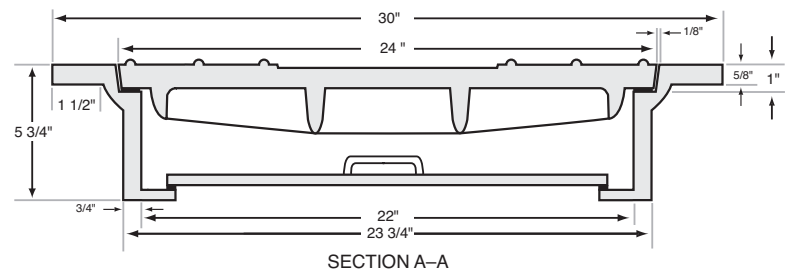
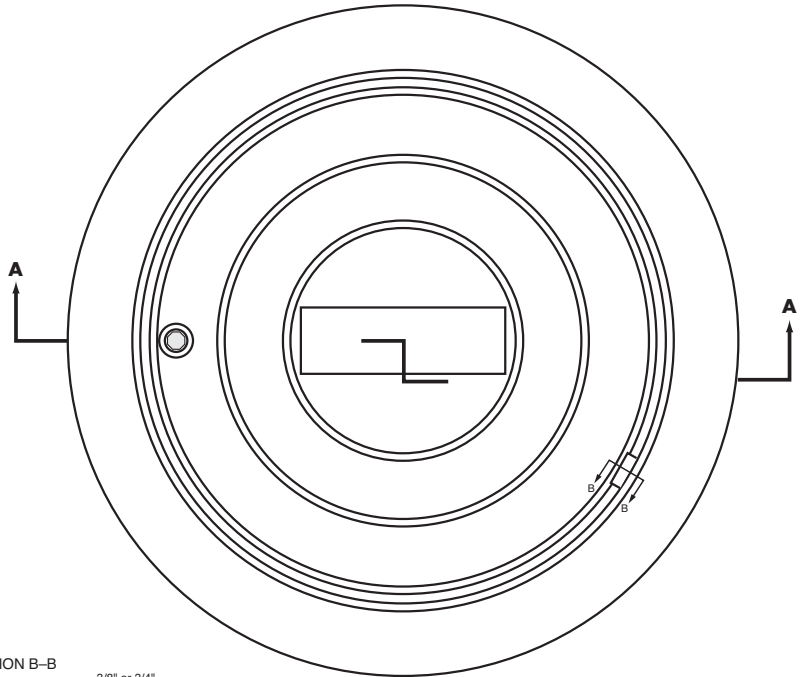
**IMH15024FPAL**

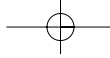
**APPROXIMATE WEIGHT**

**COVER 50 lb**  
**RING 57 lb**  
**INNER LID 14 lb**

**H-20 RATED**

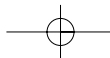
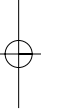
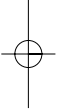
**NOTES:**  
**NAMEPLATES—OPTIONAL**  
**AVAILABLE WITH BOLT DOWN & GASKET**

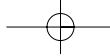




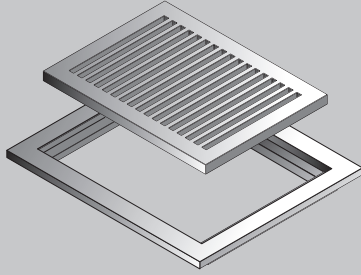
# **SECTION 5**

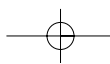
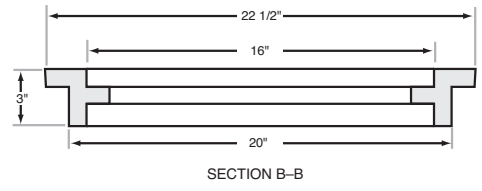
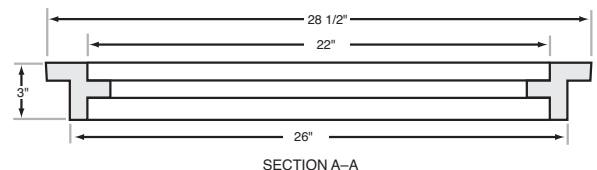
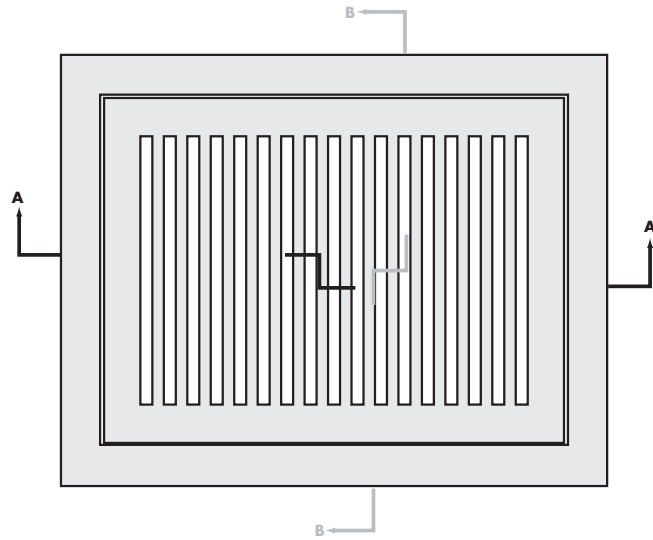
## **ALUMINUM RECTANGULAR FRAMES, GRATES AND COVER**

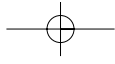




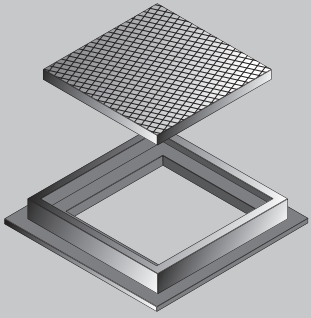
**ALUMINUM      RECTANGULAR INLET FRAME & GRATE      IFG 18X24-R AL**

	<b>APPROXIMATE WEIGHT</b>	<b>IFG1824RAL</b>
	<b>FRAME    40 lb</b>	
	<b>GRATE    40 lb</b>	
<b>NOTE: REVERSABLE FOR SLAB TYPE CONSTRUCTION</b>		





**ALUMINUM** **SQUARE FRAME & COVER** **FC 26X26-R AL**

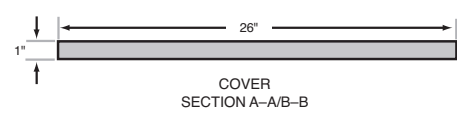
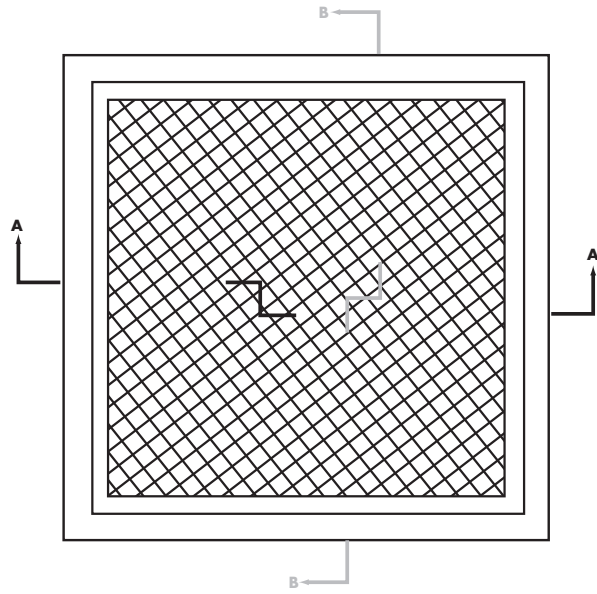


**APPROXIMATE WEIGHT**

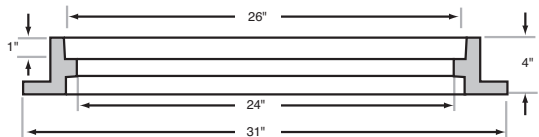
<b>FRAME</b>	<b>70 lb</b>
<b>COVER</b>	<b>66 lb</b>

**NOTE:**  
**AVAILABLE WITH BOLT & GASKET**  
**REVERSIBLE**  
**AVAILABLE WITH HINGES**

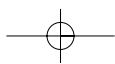
**FC2626RAL**

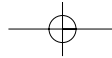


COVER  
SECTION A-A/B-B

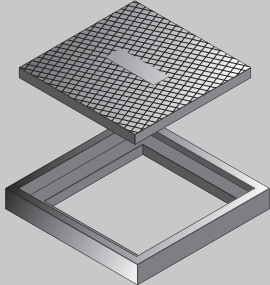


SECTION A-A/B-B





**ALUMINUM** **SQUARE FRAME & COVER** **FC 30X30 AL**

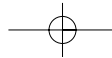
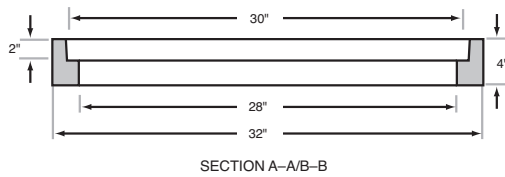
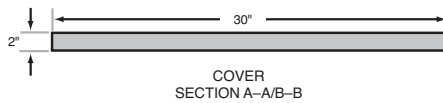
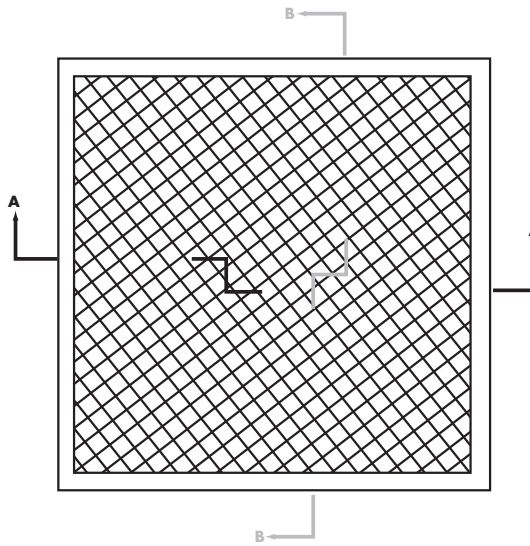


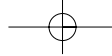
**FC3030AL**

**APPROXIMATE WEIGHT**

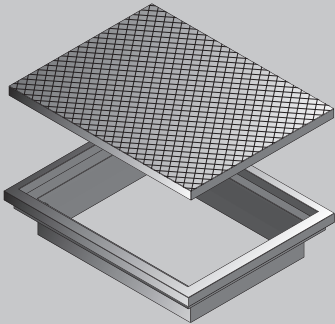
**FRAME 142 lb**  
**COVER 117 lb**

**NOTE:**  
**AVAILABLE WITH BOLT & GASKET**





**ALUMINUM** **RECTANGULAR FRAME & COVER** **FC 38X50 AL**

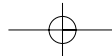
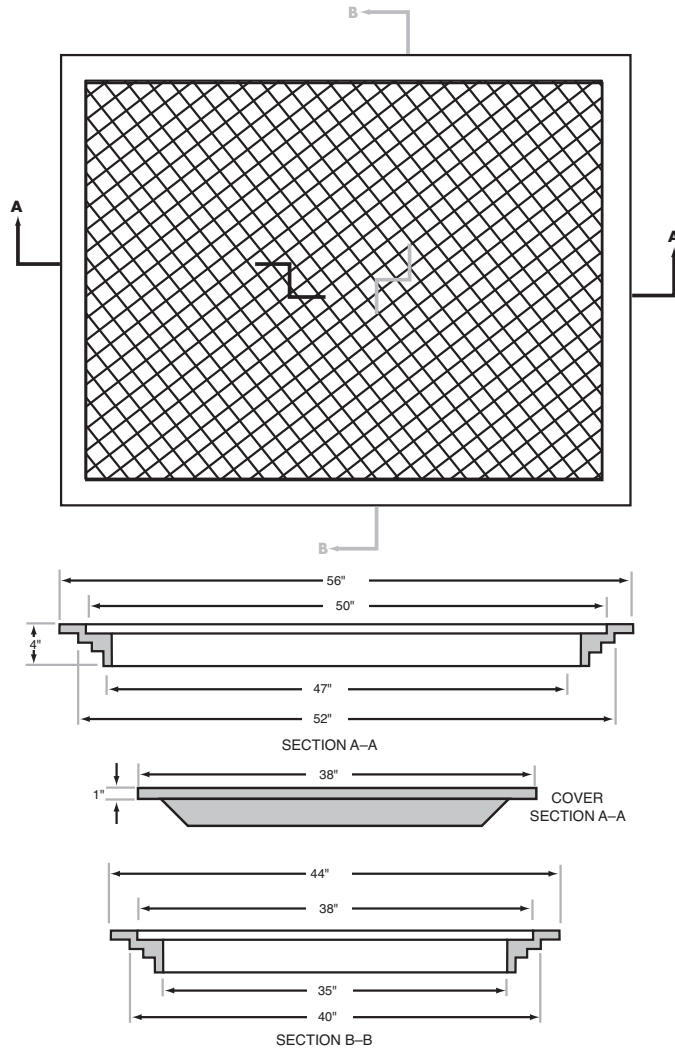


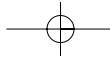
**APPROXIMATE WEIGHT**

**FRAME 136 lb**  
**COVER 268 lb**

**NOTE:**  
**AVAILABLE WITH BOLT DOWN COVER**  
**REVERSIBLE**  
**AVAILABLE WITH HINGES**

**FC3850AL**

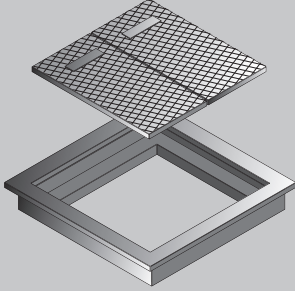


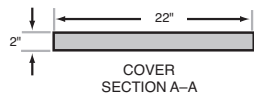
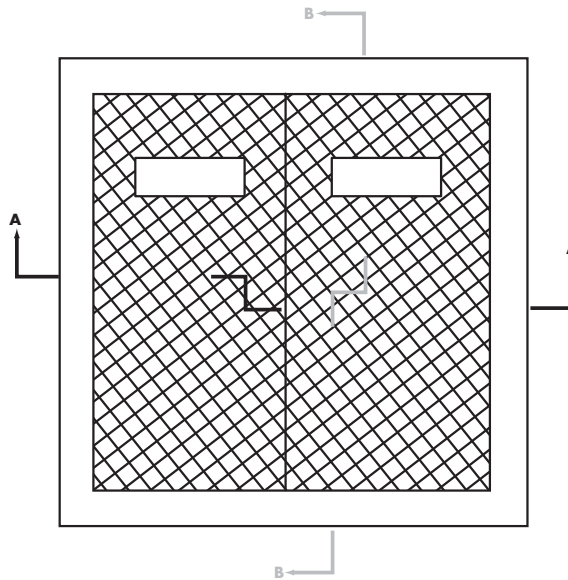


**ALUMINUM**

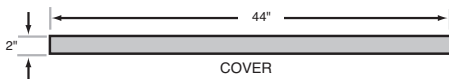
**SQUARE FRAME & COVER**

**FC 44X44 AL**

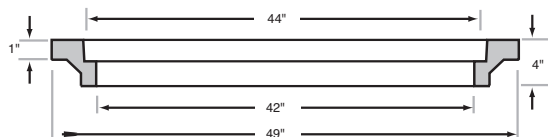
	<b>APPROXIMATE WEIGHT</b>	<b>FC4444AL</b>
	<b>FRAME</b>	<b>N/A</b>
	<b>COVER</b>	<b>N/A</b>
<b>NOTE:</b> <b>AVAILABLE WITH BOLT DOWN COVER</b> <b>AVAILABLE WITH HINGES</b>		



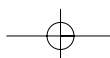
COVER SECTION A-A



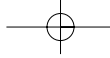
COVER SECTION B-B



SECTION A-A/B-B

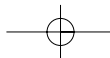
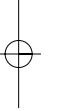
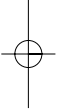




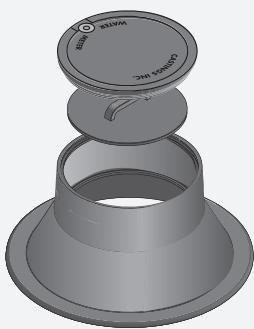


# **SECTION 6**

## **CAST IRON METER PIT COVERS, TOP LIDS, EXTENSIONS**



**CAST IRON METER PIT COVER CI-70 FROST PROOF C.I.**

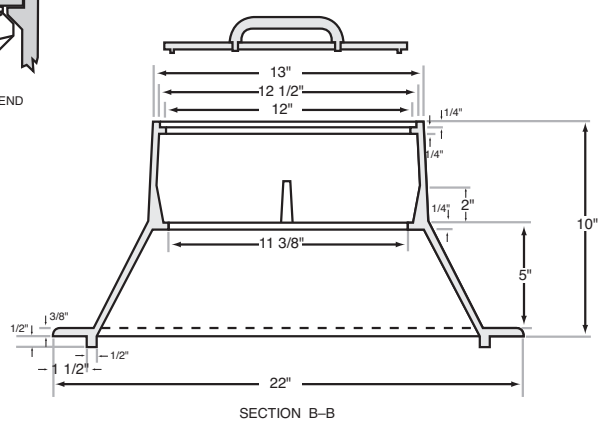
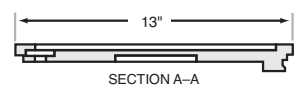
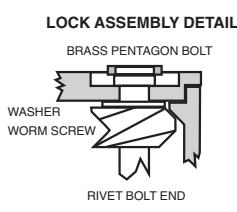
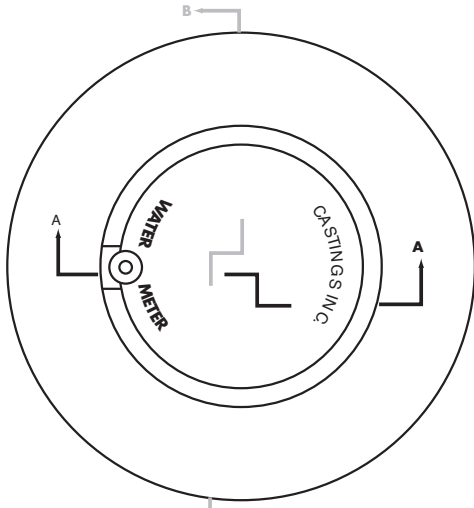


**CI7020**

**APPROXIMATE WEIGHT**

<b>TOP LID</b>	<b>11 lb</b>	<b>CI70TLCI</b>
<b>FROST LID</b>	<b>7 lb</b>	<b>ILCI</b>
<b>BODY</b>	<b>48 lb</b>	<b>CI70D20CI</b>

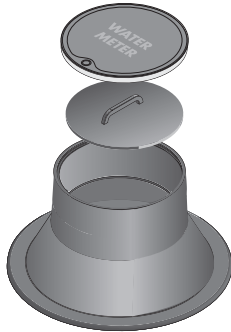
**NOTE:**  
**FINISH—BLACK BITUMINOUS PAINT**  
**OPTIONAL 2" HOLE IN TOP LID**  
**PLASTIC INNER 2" OR 3" INLP 2**  
**INLP 3**



**CAST IRON**

**METER PIT COVER**

**W32 - RECESSED**



**APPROXIMATE WEIGHT**

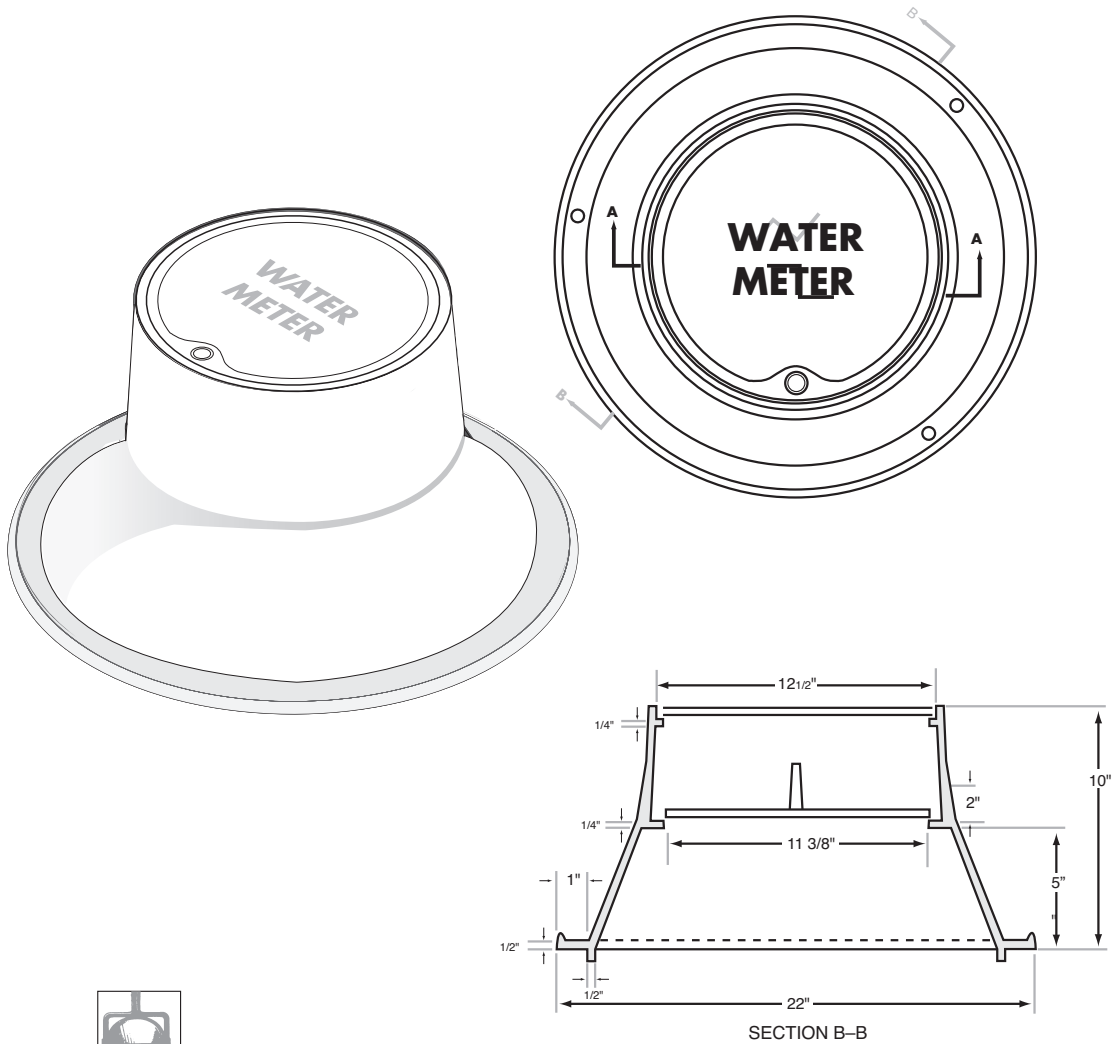
**W32CI**

<b>TOP LID</b>	<b>10 lb</b>	<b>W32TLCI</b>
<b>INNER LID</b>	<b>7 lb</b>	<b>W32ILCI</b>
<b>BODY</b>	<b>50 lb</b>	<b>W32B20CI</b>

**H-20 RATED HEAVY DUTY LID 21 lb W32TLHCI**

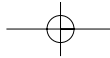
**OPTIONAL 2" HOLE IN TOP LID**  
**OPTIONAL - PLASTIC INNER LID 2" OR 3"**  
**INLP 2" INLP 3"**

**NOTE:**  
**FINISH—BLACK BITUMINOUS PAINT**



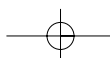
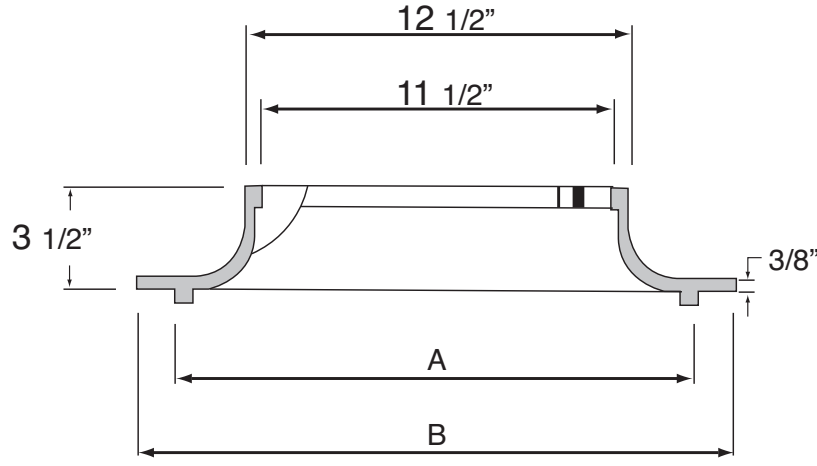
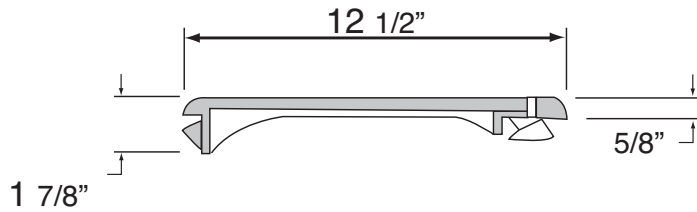
**CASTINGS INC.**

860 4TH AVE. • P.O. BOX 669 • GRAND JCT, CO 81502 • 970.243.2032 • FAX 970.242.4962

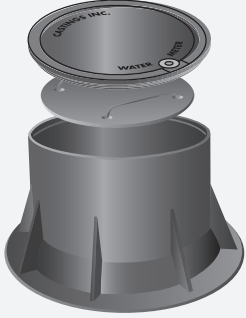


**CAST IRON WATER METER PIT RING AND COVER M-18 M-21 C.I.**

	<b>APPROXIMATE WEIGHT</b>		<b>M18CI</b>
	<b>COVER 12#</b>		<b>M20CI</b>
	<b>RING M 18-21#</b>		<b>M21CI</b>
	<b>M 20-25#, M 21-30#</b>		
	Available with hole in center		
	Knock out style		
	<b>M18</b>	<b>M20</b>	<b>M21</b>
	<b>A 17 3/8"</b>	<b>A 19 1/2"</b>	<b>A 20 1/2"</b>
	<b>B 20"</b>	<b>B 22"</b>	<b>B 23"</b>



**CAST IRON METER PIT COVER CI-70-16-CI**



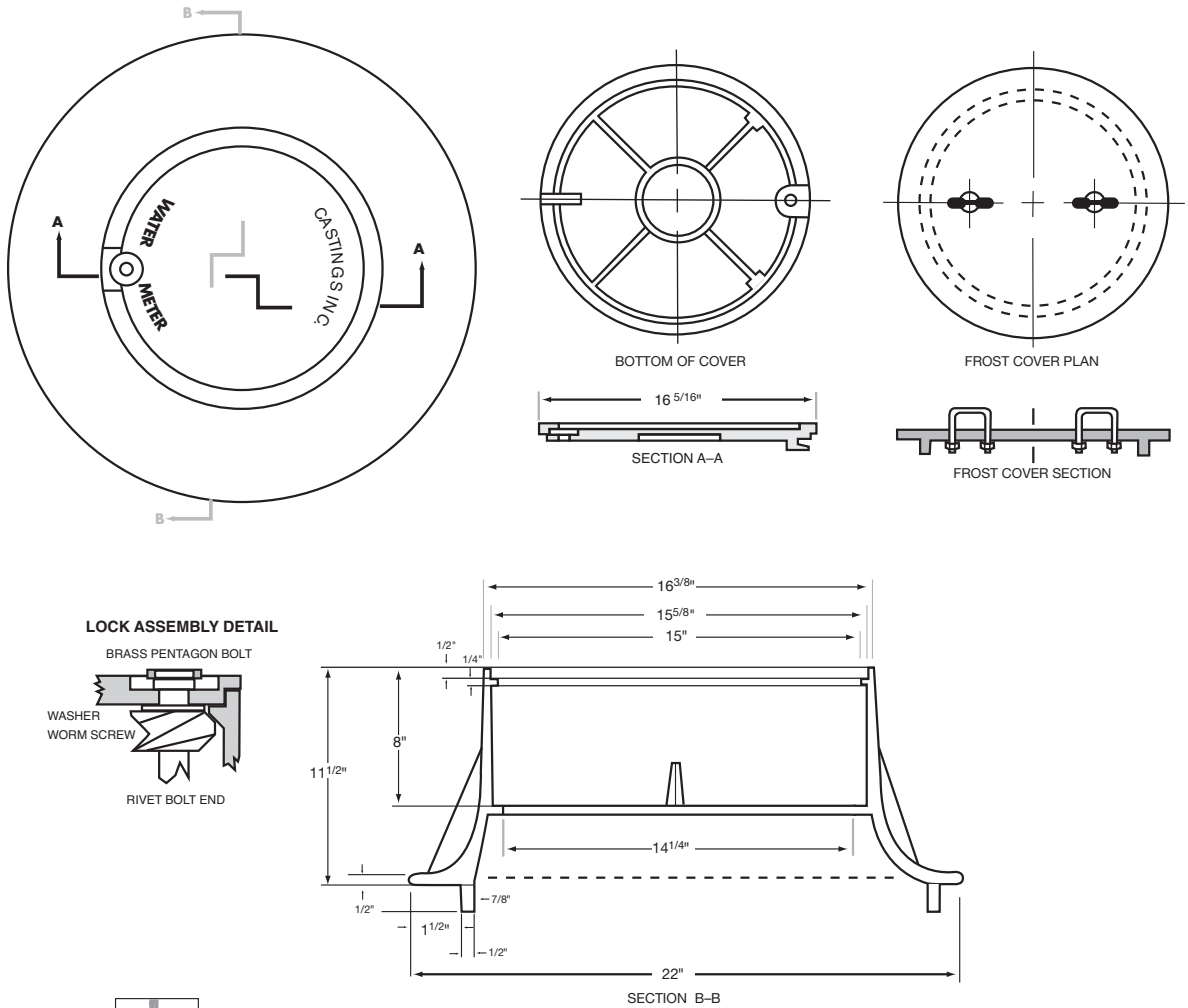
**CI7016**

**APPROXIMATE WEIGHT**

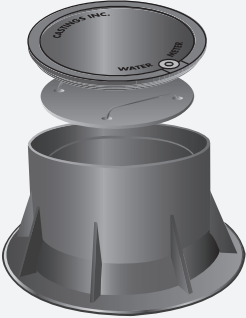
<b>TOP LID</b>	<b>31 LB.</b>	<b>CI7016TL</b>
<b>FROST LID</b>	<b>13 LB.</b>	<b>CI7016IL</b>
<b>BODY</b>	<b>77 LB.</b>	<b>CI7016B</b>

**NOTE:**  
**FINISH—BLACK BITUMINOUS PAINT**  
**NAMEPLATE—WATER METER**  
**IRRIGATION**

**H2O RATAED**  
**OPTIONAL 2" HOLE**

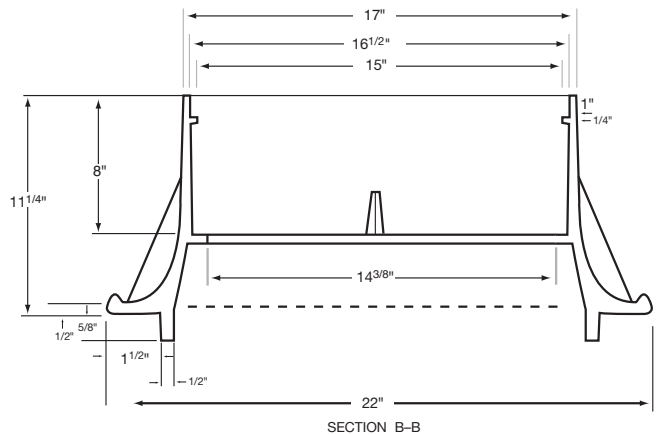
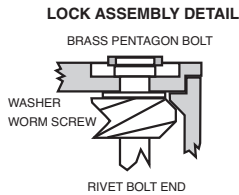
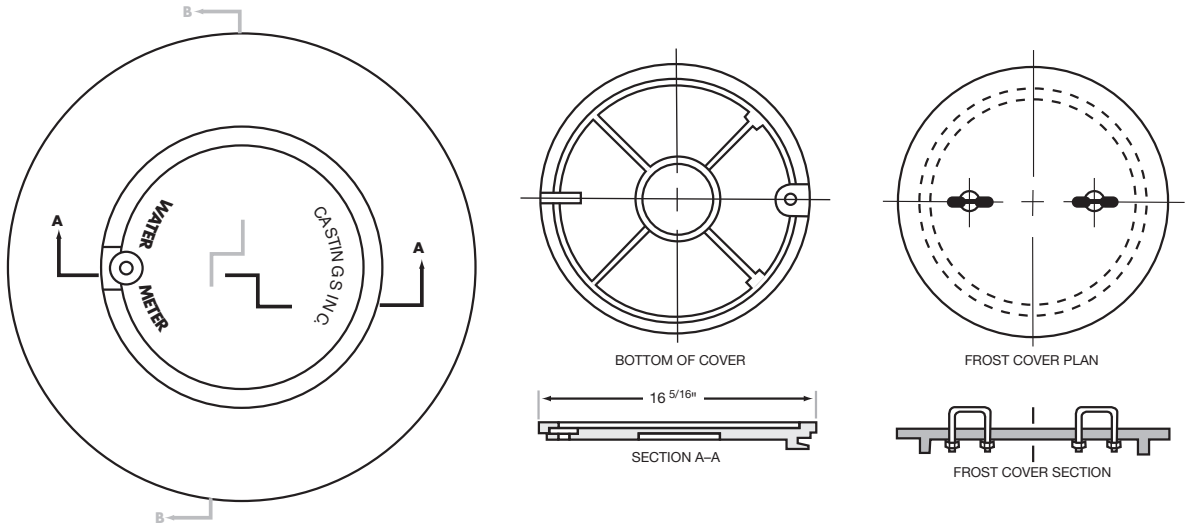


**CAST IRON METER PIT COVER W-32-16-CI RECESSED**

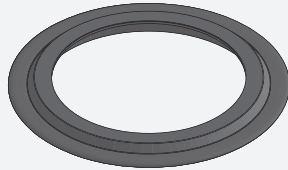


APPROXIMATE WEIGHT		W3216CI
TOP LID	31 lb.	W3216TLCR
FROST LID	13 lb.	W3216ILCI
BODY	78 lb.	W3216BCI

**OPTIONAL 2" HOLE  
H2O RATED  
NOTE:  
FINISH—BLACK BITUMINOUS PAINT  
NAMEPLATE—WATER METER  
IRRIGATION**



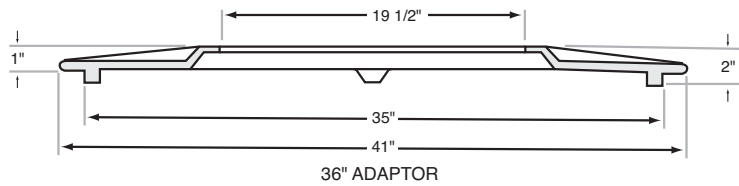
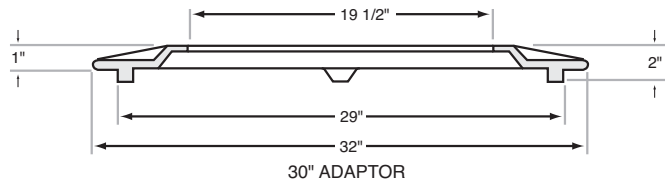
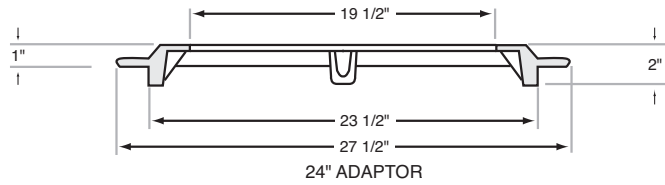
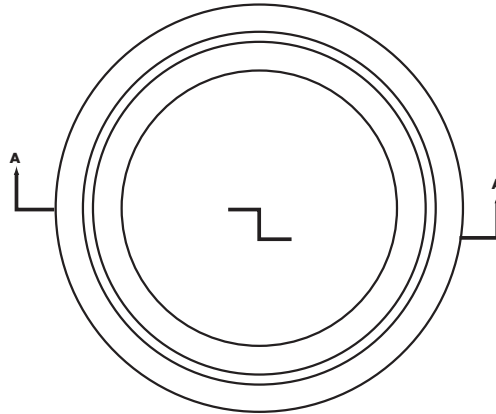
**CAST IRON METER PIT ADAPTORS ADAPTOR 24", 30" & 36" C.I.**



**APPROXIMATE WEIGHT**

<b>24" ADAPTOR</b>	<b>37 lb</b>	<b>M70A24</b>
<b>30" ADAPTOR</b>	<b>52 lb</b>	<b>M70A30</b>
<b>36" ADAPTOR</b>	<b>90 lb</b>	<b>M70A36</b>

**NOTE:  
FINISH—BLACK BITUMINOUS PAINT**



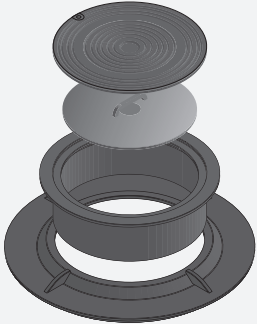
SECTION A-A



**CASTINGS INC.**

860 4TH AVE. • P.O. BOX 669 • GRAND JCT, CO 81502 • 970.243.2032 • FAX 970.242.4962

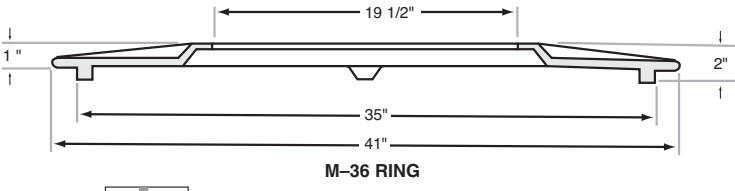
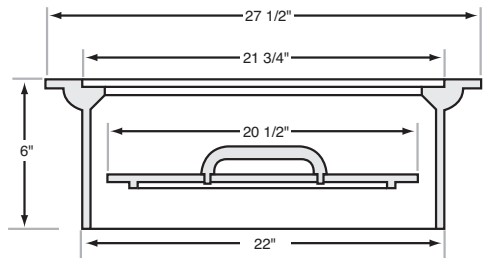
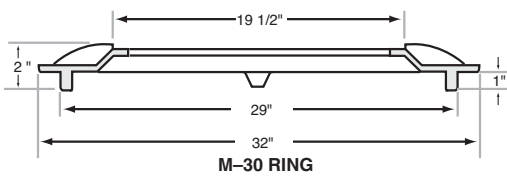
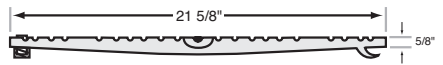
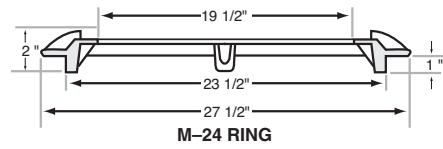
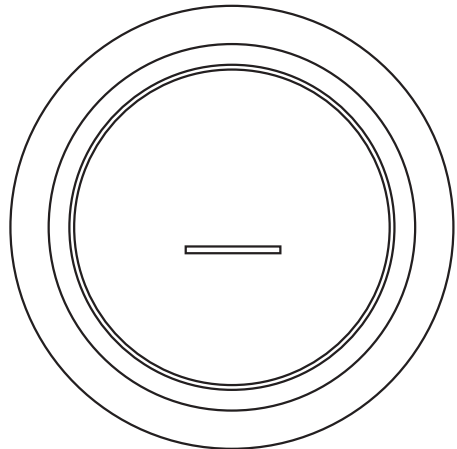
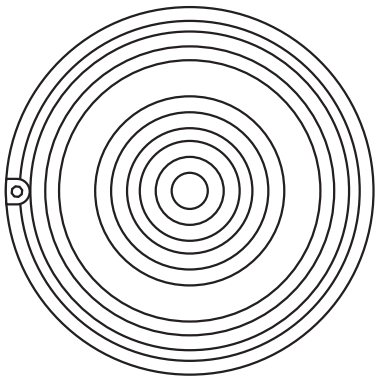
**CAST IRON METER PIT COVER M-24, M-30 & M-36 FROST-PROOF MONITOR C.I.**



**APPROXIMATE WEIGHT**

<b>M-24 SET</b>	<b>144 lb</b>	<b>MC24CI</b>
<b>M-30 SET</b>	<b>159 lb</b>	<b>MC30CI</b>
<b>M-36 SET</b>	<b>197 lb</b>	<b>MC36CI</b>
<b>TOP LID</b>	<b>34 lb</b>	<b>MCTLCI</b>
<b>INNER LID</b>	<b>19 lb</b>	<b>MCILCI</b>
<b>BODY</b>	<b>54 lb</b>	<b>MCDCI</b>

**NOTE:**  
**FINISH—BLACK BITUMINOUS PAINT**

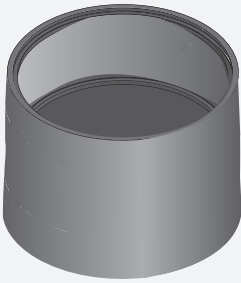




**CAST IRON**

**METER PIT RISERS**

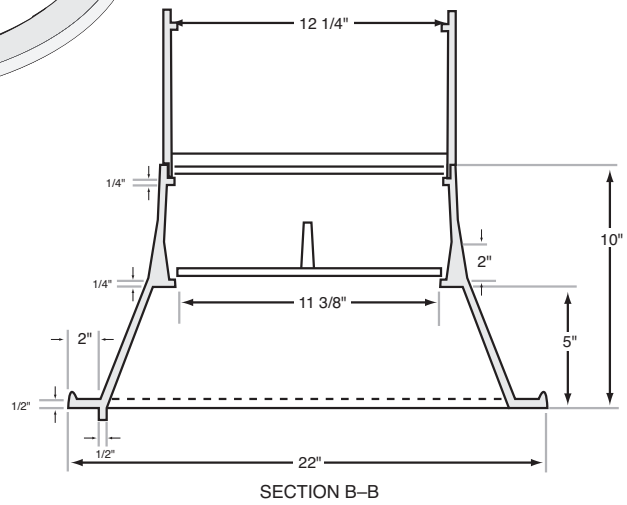
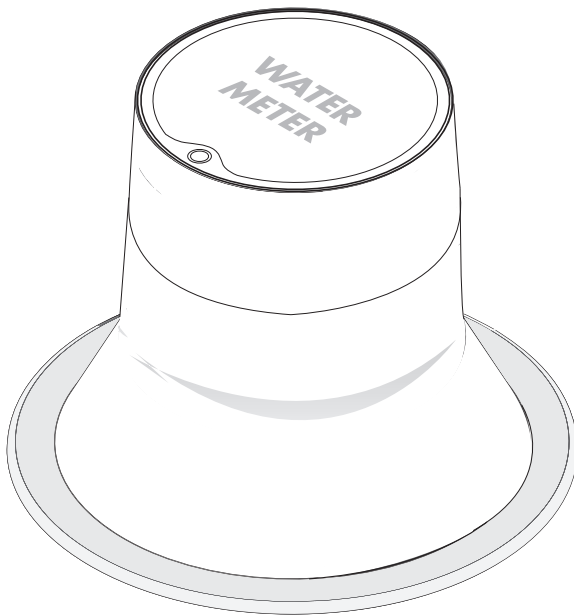
**METER RISER C.I.**



**APPROXIMATE WEIGHT**

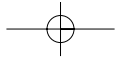
RISE	M70ER	W3ER
2"	7 lb	8 lb
3"	11 lb	N/A
4"	14 lb	15 lb
6"	20 lb	24 lb

**NOTE:**  
**FINISH—BLACK BITUMINOUS PAINT**

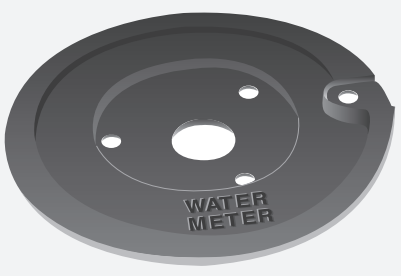


**CASTINGS INC.**

860 4TH AVE. • P.O. BOX 669 • GRAND JCT, CO 81502 • 970.243.2032 • FAX 970.242.4962



**CAST IRON** **METER LID** **CLARK 10 LID C.I.**

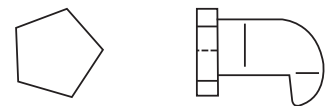
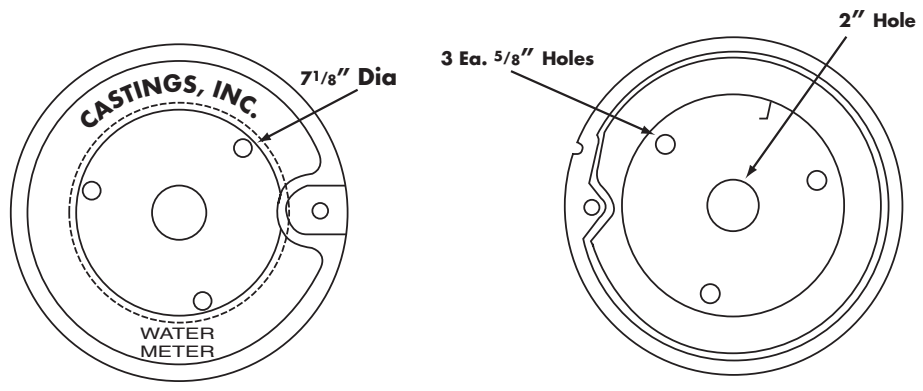
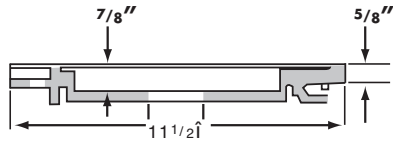


**CLARK10TLCI**

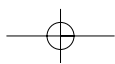
**APPROXIMATE WEIGHT— 11 lb**

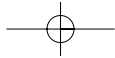
**NOTES:**

**FINISH—BLACK BITUMINOUS PAINT**

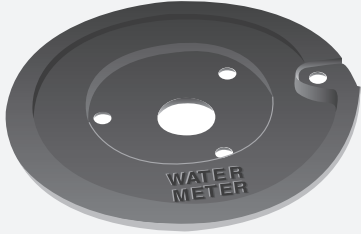


J - Bolt





**CAST IRON**                      **METER LID**                      **M7519 (COMCO) METER LID C.I.**

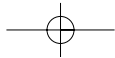
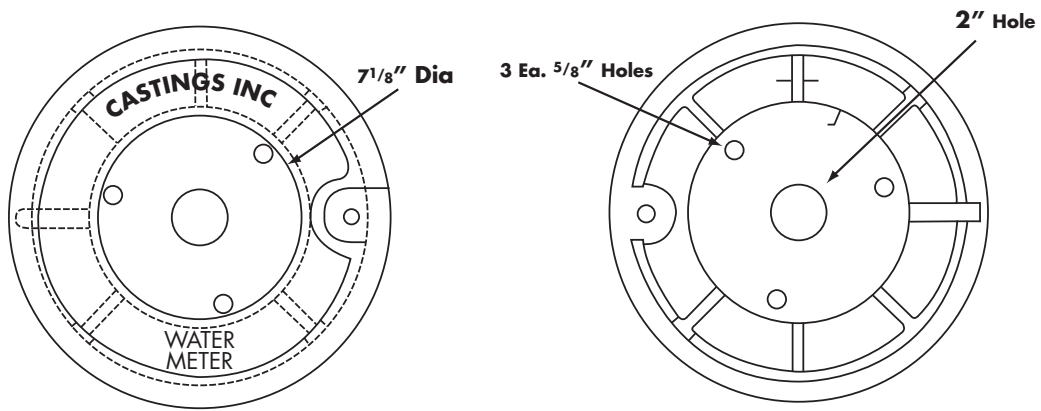
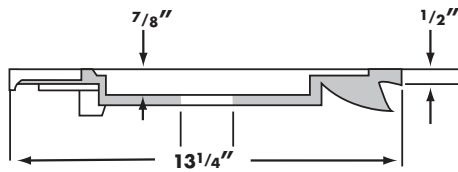


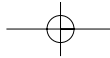
**M7519TLCI**

**APPROXIMATE WEIGHT—13 lb**

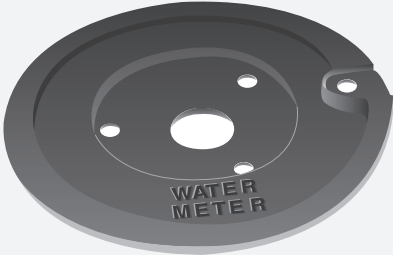
**NOTES:**

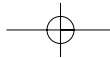
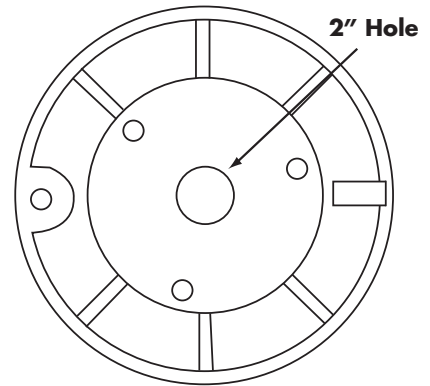
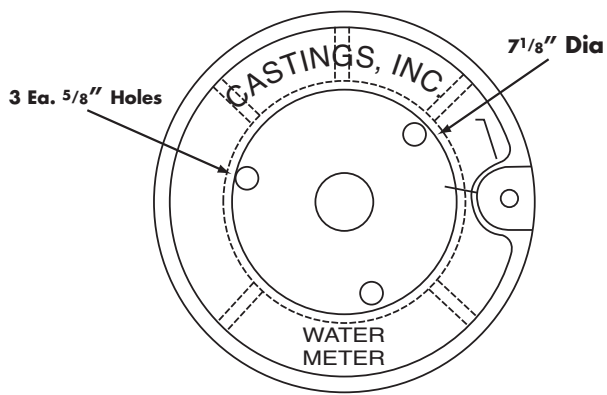
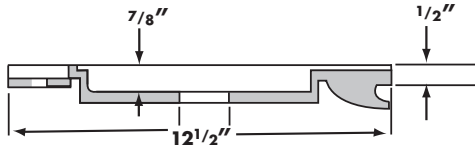
**FINISH—BLACK BITUMINOUS PAINT**

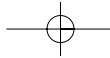





**CAST IRON      METER LID      W32TP RECESSED METER COVER LID C.I.**

	<b>W32TPCI</b>
	<b>APPROXIMATE WEIGHT—11 1/4 lb</b>
<b>NOTES:</b>	
<b>FINISH—BLACK BITUMINOUS PAINT</b>	





**CAST IRON**      **METER LID**      **CASTINGS INC. M7021 METER LID C.I.**

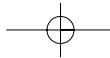
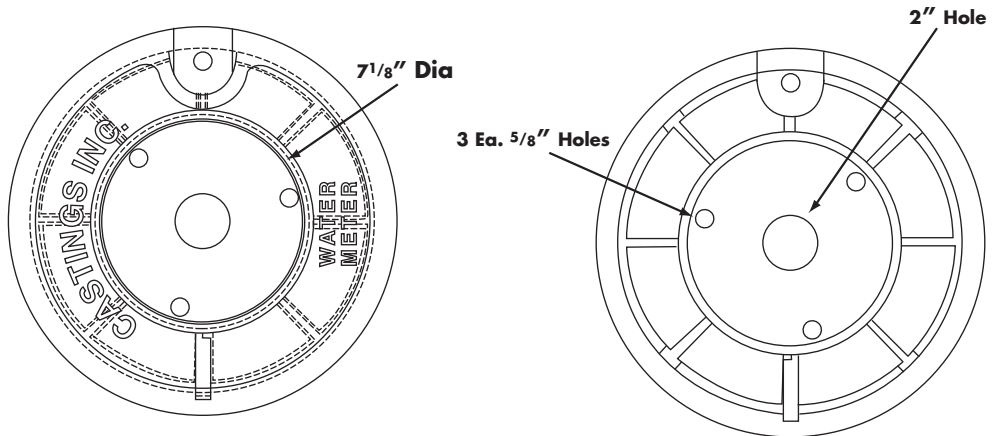
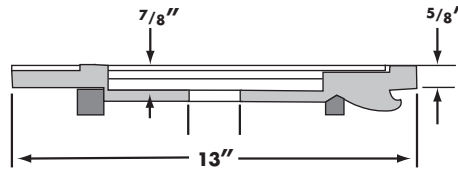


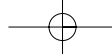
**M7021TLCI**

**APPROXIMATE WEIGHT—16<sup>1/4</sup> lb**

**NOTES:**

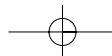
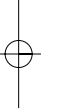
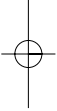
**FINISH—BLACK BITUMINOUS PAINT**





# **SECTION 7**

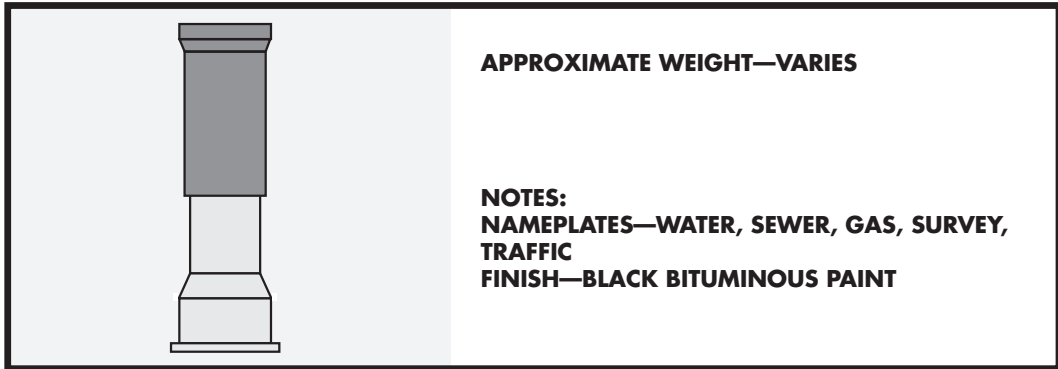
## **CAST IRON VALVE BOXES, ROADWAY BOXES, CURB BOXES, TRIANGLE BOXES, CLEAN OUTS**



**CAST IRON**

**VALVE BOX**

**VB SCREW TYPE C.I.**



**APPROXIMATE WEIGHT—VARIES**

**NOTES:**  
**NAMEPLATES—WATER, SEWER, GAS, SURVEY, TRAFFIC**  
**FINISH—BLACK BITUMINOUS PAINT**

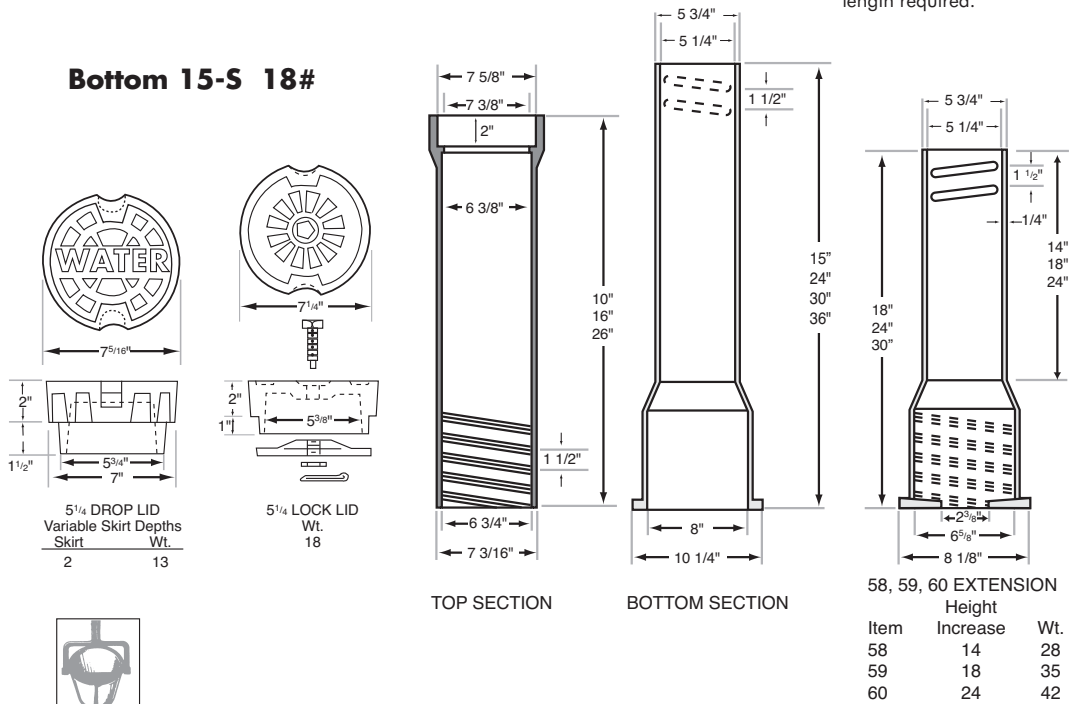
**6850 SERIES Box Complete**

Item	Extension In inches	Wt.	Top Section		Bottom	
			Length	Wt.	Length	Wt.
<b>C.I. - 462-S</b>	<b>27-32</b>	<b>70</b>	<b>10</b>	<b>23</b>	<b>24</b>	<b>35</b>
C.I. - 562-S	27-37	79	16	30	24	35
<b>C.I. - 563-S</b>	<b>33-43</b>	<b>83</b>	<b>16</b>	<b>30</b>	<b>30</b>	<b>40</b>
C.I. - 564-S	39-50	90	16	30	36	50
<b>C.I. - 662-S</b>	<b>36-52</b>	<b>103</b>	<b>26</b>	<b>50</b>	<b>30</b>	<b>40</b>
C.I. - 664-S	39-60	113	26	50	36	50
<b>C.I. - 666-S</b>	<b>51-71</b>	<b>133</b>	<b>26</b>	<b>50</b>	<b>**48</b>	<b>70</b>
C.I. - 668-S	62-82	143	26	50	<b>**60</b>	<b>80</b>

All weights are approximate. Lid weight: 12# - 13#.

\*\*May be furnished in two pieces screwed together to make the length required.

**Bottom 15-S 18#**

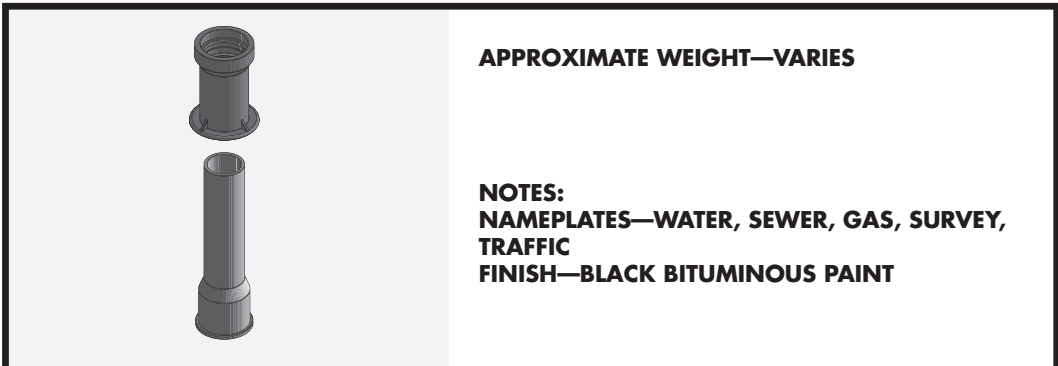


58, 59, 60 EXTENSION

Item	Height Increase	Wt.
58	14	28
59	18	35
60	24	42



**CAST IRON VALVE BOX VB SLIP TYPE C.I.**



**APPROXIMATE WEIGHT—VARIES**

**NOTES:  
NAMEPLATES—WATER, SEWER, GAS, SURVEY,  
TRAFFIC  
FINISH—BLACK BITUMINOUS PAINT**

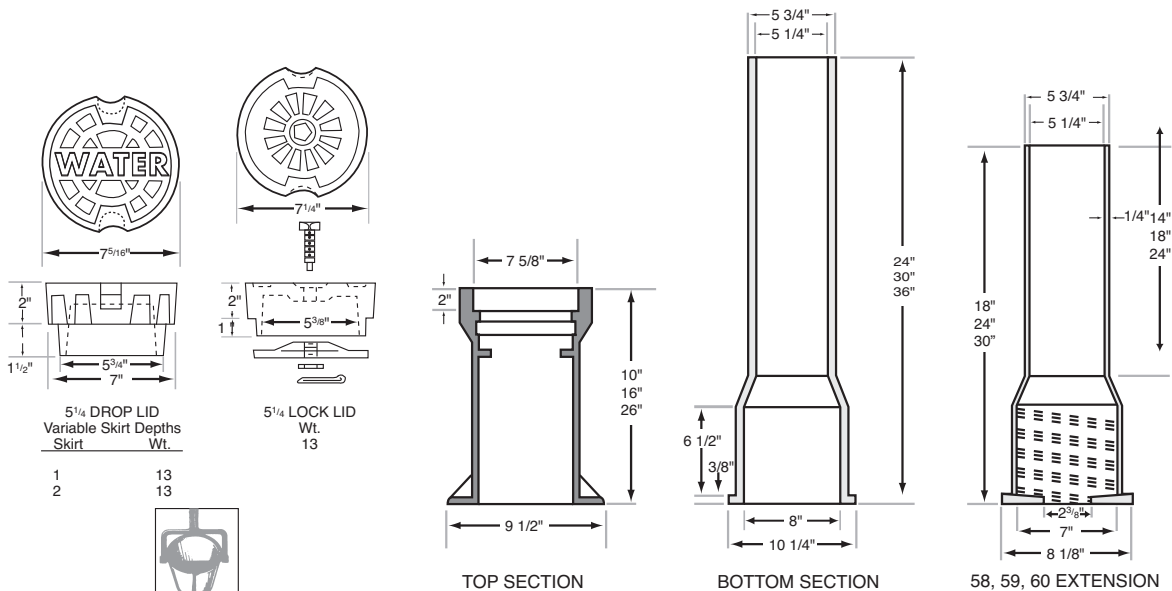
**6855 SERIES Box Complete**

Item	Extension In inches	Wt.	Top Section Length	Wt.	Bottom Length	Wt.
<b>C.I. - 462-A</b>	<b>28-33</b>	<b>76</b>	<b>10</b>	<b>29</b>	<b>24</b>	<b>34</b>
C.I. - 562-A	28-38	77	16 W/F	30	24	34
<b>C.I. - 563-A</b>	<b>34-44</b>	<b>85</b>	<b>16</b>	<b>45</b>	<b>30</b>	<b>40</b>
C.I. - 564-A	40-51	90	16 W/F	30	36	47
<b>C.I. - 662-A</b>	<b>37-53</b>	<b>113</b>	<b>26 W/F</b>	<b>60</b>	<b>30</b>	<b>40</b>
C.I. - 664-A	40-61	100	26 W/O F	40	36	47
<b>C.I. - 666-A</b>	<b>52-82</b>	<b>143</b>	<b>26</b>	<b>60</b>	<b>**48</b>	<b>70</b>
C.I. - 668-A	63-83	153	26	60	<b>**60</b>	80

All weights are approximate. Lid weight: 12# - 13#.

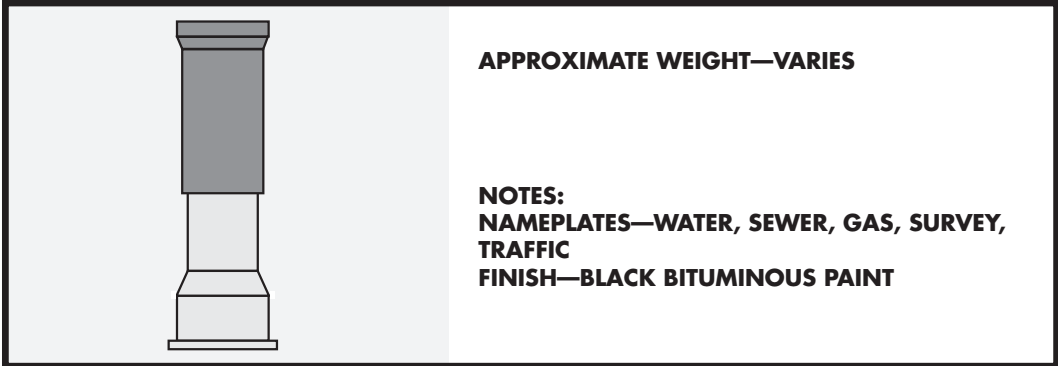
\*\*May be furnished in two pieces together to make the length required.

LIDS ARE MARKED  
"WATER" OR "GAS"  
Unless specified otherwise,  
"Water" will be shipped.





**CAST IRON CAST IRON THREE-PIECE VALVE BOX 6860 SERIES C.I.**

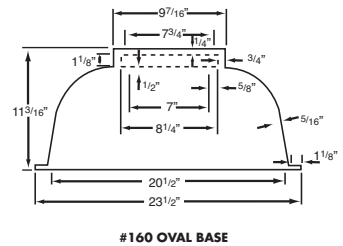
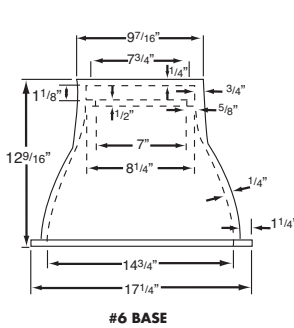
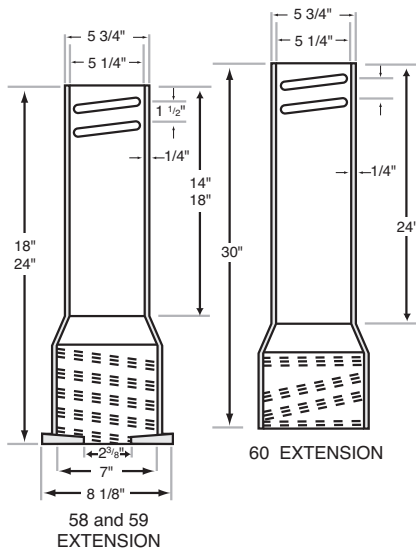


**APPROXIMATE WEIGHT—VARIES**

**NOTES:  
NAMEPLATES—WATER, SEWER, GAS, SURVEY,  
TRAFFIC  
FINISH—BLACK BITUMINOUS PAINT**

**6860 SERIES**

Item	Top Section			Bottom	
	Height	Length	Wt.	Length	Wt.
<b>C.I. - A (10T + 18B)</b>	<b>33-42</b>	<b>10T</b>	<b>36</b>	<b>18B</b>	<b>29</b>
C.I. - B (16T + 24B)	39-42	16T	36	24B	30
<b>C.I. - C (16T + 30B)</b>	45-54	16T	36	<b>30B</b>	<b>37</b>
C.I. - D (26T - 30B)	<b>45-66</b>	<b>26T</b>	<b>51</b>	30B	37
<b>C.I. - DD (26T + 36B)</b>	51-72	26T	51	<b>36B</b>	<b>41</b>
C.I. - E (16T + 24B + #60 Ext)	<b>63-72</b>	<b>16T</b>	<b>36</b>	24B	30
<b>C.I. - F (26T + 24B + #60 Ext)</b>	63-84	26T	51	<b>24B</b>	<b>30</b>



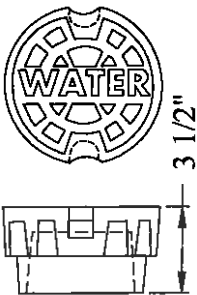
Extensions			Bases	
Item	Height	Wt.	Item	Wt.
<b>#58 Screw-Type</b>	<b>14</b>	<b>29</b>	<b>#6, 14 3/4\"</b>	<b>40</b>
<b>#59 Screw-Type</b>	<b>18</b>	<b>30</b>	<b>#160, 20 1/2\"</b>	<b>66</b>
<b>#60 Screw-Type</b>	<b>24</b>	<b>37</b>		



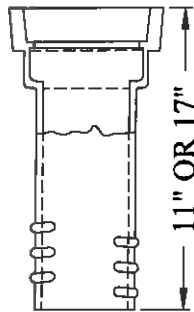


**NOTES:**

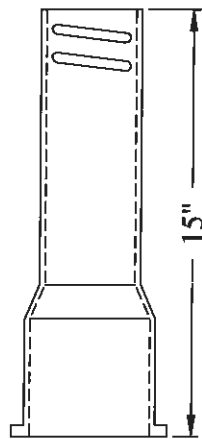
1. APPROXIMATE WEIGHT VARIES
2. NAMEPLATES - WATER, SEWER, GAS, SURVEY, TRAFFIC, CP TEST, ETC.
3. FINISH - BLACK BITUMINOUS PAINT
4. VBC-36 CAN BE CUT FOR SHORTER CENTER SECTION
5. ASTM-A48 CLASS 35B



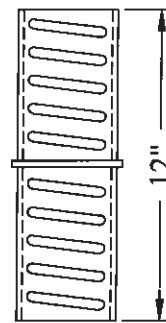
5 1/4  
DROP LID



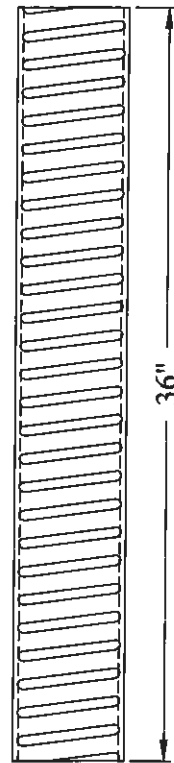
RH-11S



VBB-15



\*VBN-12



\*VBC-36

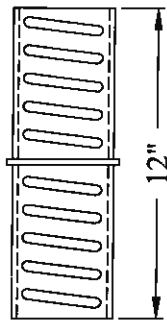
\* PATENT PENDING  
US 14/216, 505



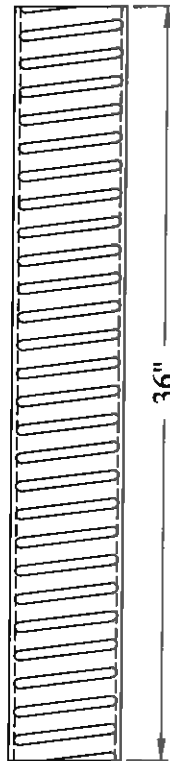


**NOTES:**

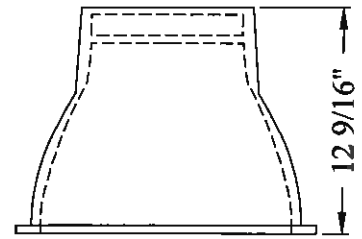
1. APPROXIMATE WEIGHT VARIES
2. NAMEPLATES - WATER, SEWER, GAS, SURVEY, TRAFFIC, CP TEST, ETC
3. FINISH - BLACK BITUMINOUS PAINT
4. VBC-36 CAN BE CUT FOR SHORTER CENTER SECTION
5. ASTM-A48 CLASS 35B



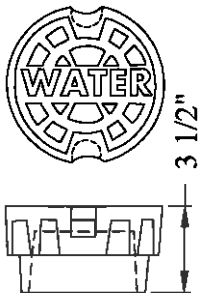
\*VBN-12



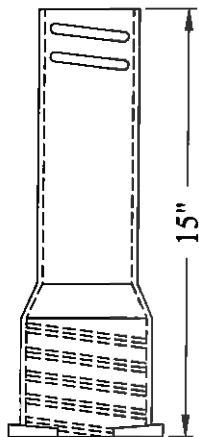
\*VBC-36



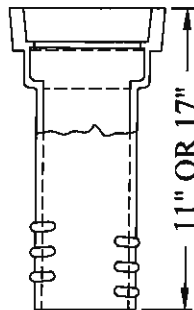
#6 BASE



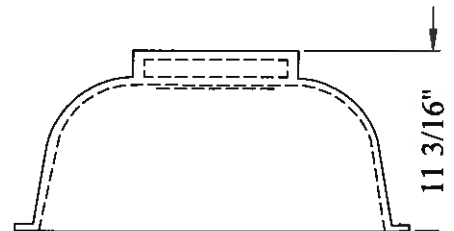
5 1/4  
DROP LID



#58  
EXTENSION



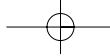
RH-11S



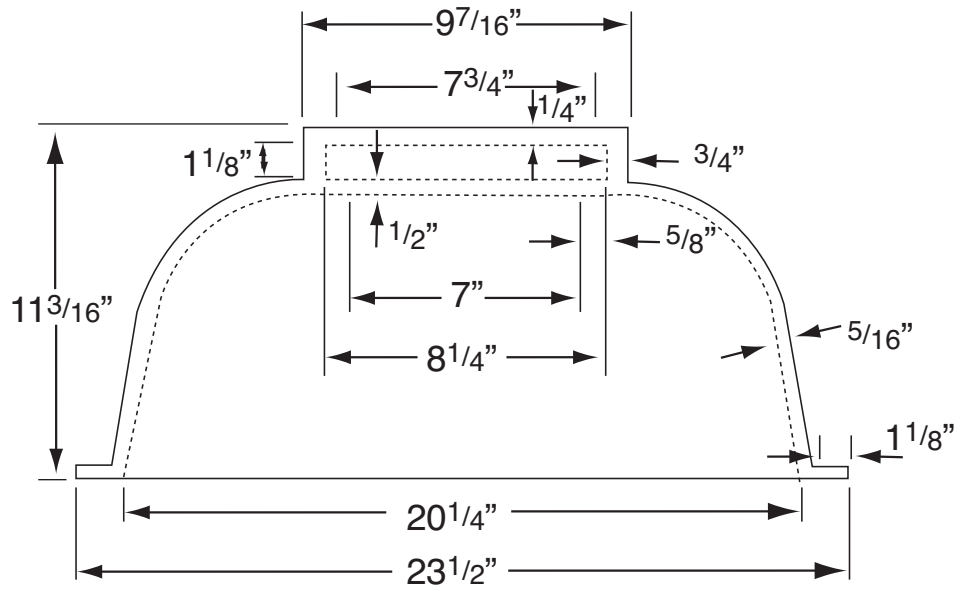
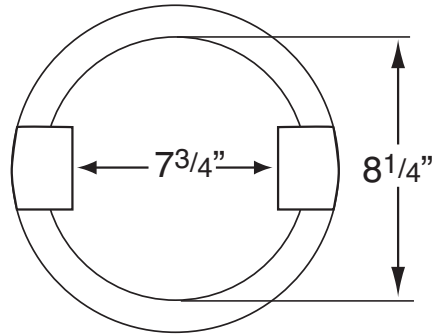
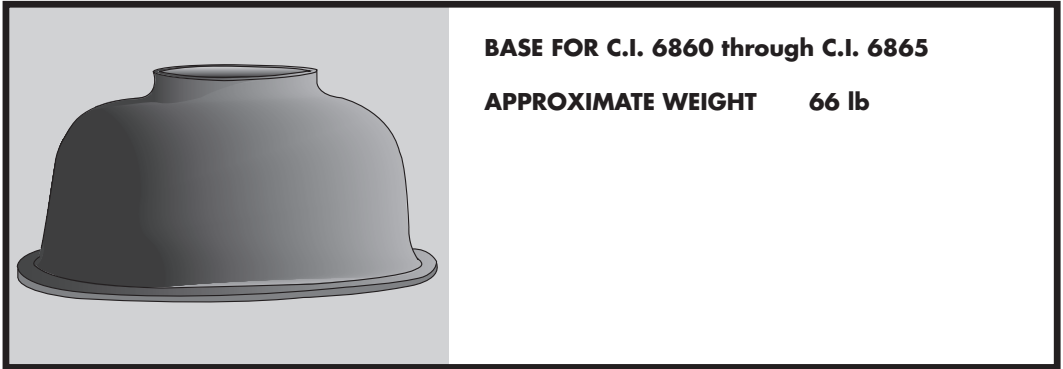
#160 OVAL BASE

\* PATENT PENDING  
US 14/216, 505

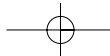


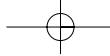


**CAST IRON VALVE BOX 160 OVAL BASE C.I.**

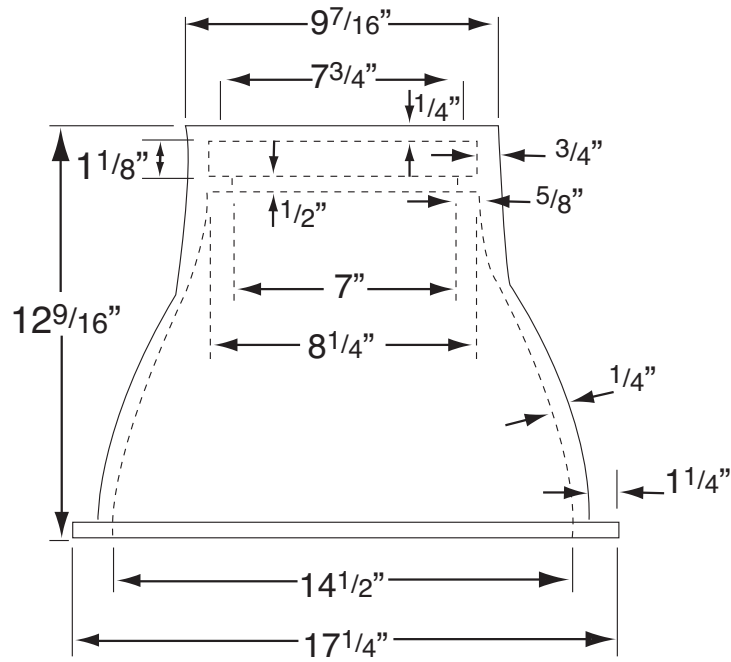
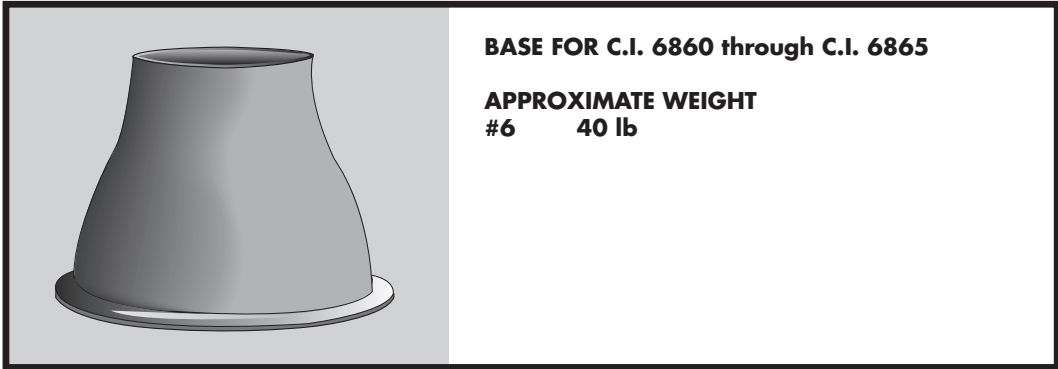


**# 160 OVAL BASE**

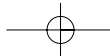




**CAST IRON VALVE BOX #6 ROUND BASE C.I.**

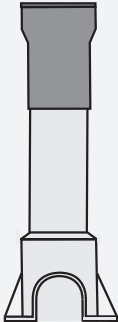


**#6 BASE**



**CAST IRON**

**ROADWAY BOXES C.I.**

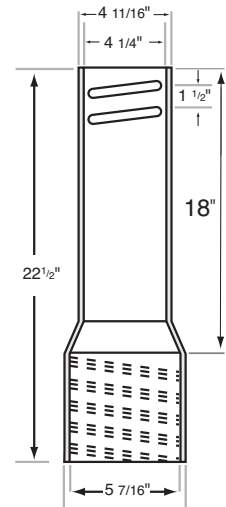
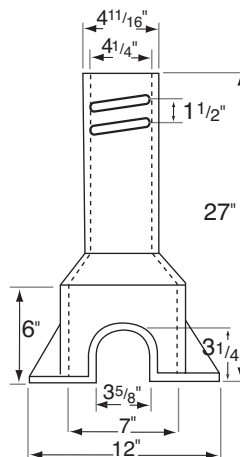
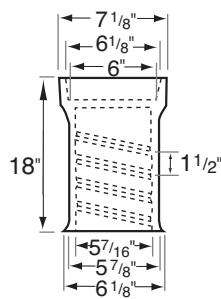
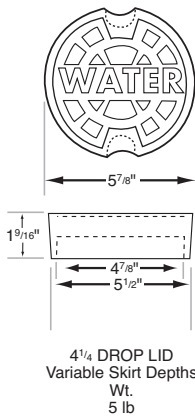


**APPROXIMATE WEIGHT—VARIES**

**NOTES:**  
**NAMEPLATES—WATER, SEWER, GAS, SURVEY, TRAFFIC**  
**FINISH—BLACK BITUMINOUS PAINT**

**Box Complete  
 Extension**

Item	Length	Wt.
C.I. - 145-R Roadway Box	49"-62"	82lb
C.I. - 145-RT Top Only	18"	23 lb
C.I. - 145-B Bottom Only	27"	33 lb
C.I. - 145-E Extension Only	18"	21 lb
C.I. - 145-DL Drop Lid		5 lb



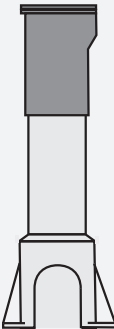
Item #49	Height Increase	Wt.
	18"	21 lb



**CASTINGS INC.**

860 4TH AVE. • P.O. BOX 669 • GRAND JCT, CO 81502 • 970.243.2032 • FAX 970.242.4962

**CAST IRON CURB BOX 6500 SERIES SCREW TYPE C.I.**



**APPROXIMATE WEIGHT—VARIES**

**NOTES:**  
**NAMEPLATES—WATER, IRRIGATION, NON-POTABLE**  
**FINISH—BLACK BITUMINOUS PAINT**

**6500 Series, Screw Type with Water Lid**

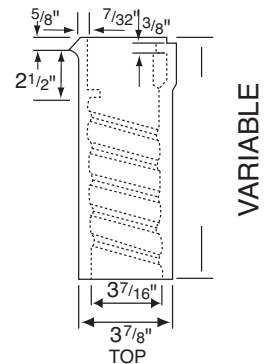
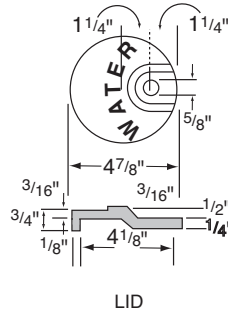
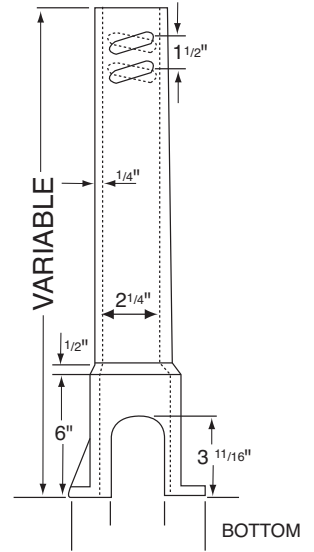
Box (components)	Extension In Inches	Weight
C.I. 89-A(12T&12B)	15-21	20 lb
<b>C.I. 90-B(12T&amp;15B)</b>	<b>18-24</b>	<b>21 lb</b>
C.I. 90-C(15T&15B)	21-27	22 lb
<b>C.I. 91-C(15T&amp;21B)</b>	<b>24-33</b>	<b>24 lb</b>
C.I. 92-C(15T&27B)	30-39	26 lb
<b>C.I. 92-D(18T&amp;27B)</b>	<b>30-42</b>	<b>28 lb</b>
C.I. 93-D(18T&33B)	36-48	32 lb
<b>C.I. 93-E(24T&amp;33B)</b>	<b>36-54</b>	<b>37 lb</b>
C.I. 94-E(24T&39B)	42-60	41 lb
<b>C.I. 95-E(30T&amp;39B)</b>	<b>41-64</b>	<b>44 lb</b>
C.I. 100-E(24T&21B&#154 Ext)	54-72	50 lb
<b>C.I. 100-F(30T&amp;21B&amp;#154 Ext)</b>	<b>54-78</b>	<b>53 lb</b>
C.I. 101-F(30T&27B&#154 Ext)	60-84	55 lb

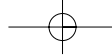
**Top Section with Water Lid**

Item	Weight
C.I. 12T	11 lb
<b>C.I. 15T</b>	<b>12 lb</b>
C.I. 18T	14 lb
<b>C.I. 24T</b>	<b>19 lb</b>
C.I. 30T	22 lb

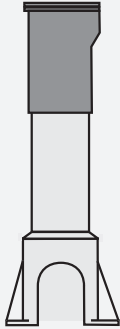
**Bottom Only**

Item	Weight
C.I. 12B	9 lb
<b>C.I. 15B</b>	<b>10 lb</b>
C.I. 21B	12 lb
<b>C.I. 27B</b>	<b>14 lb</b>
C.I. 33B	18 lb
<b>C.I. 39B</b>	<b>22 lb</b>





**CAST IRON CURB BOX 6500 SERIES SCREW TYPE PARTS C.I.**

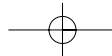
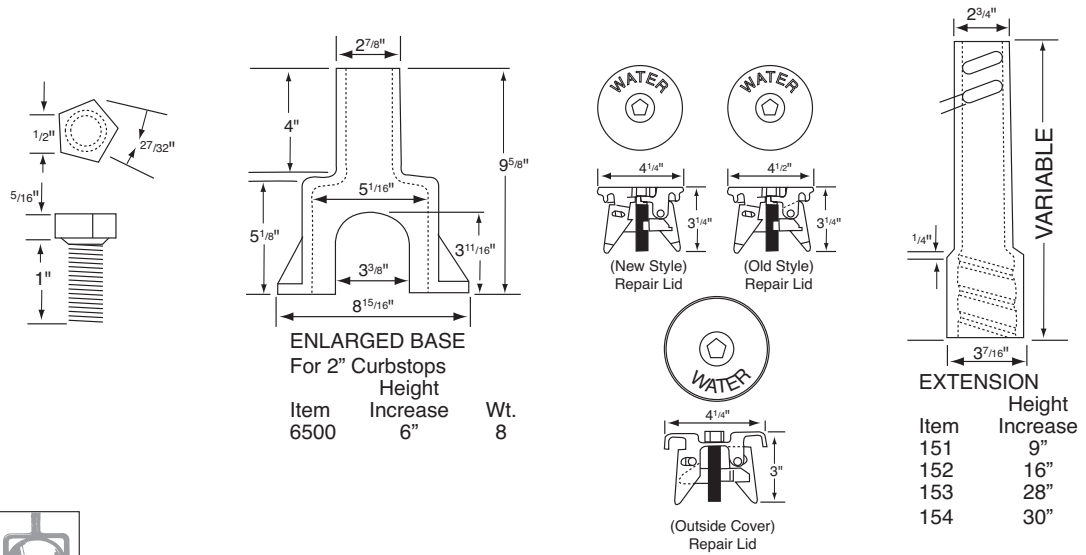


**APPROXIMATE WEIGHT—VARIES**

**NOTES:**  
**NAMEPLATES—WATER, IRRIGATION, NON-POTABLE**  
**FINISH—BLACK BITUMINOUS PAINT**

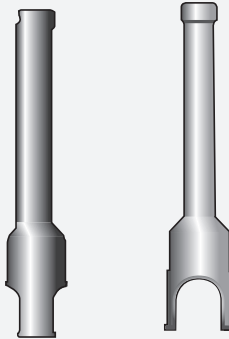
**6500 Series Parts**

Item	Weight
C.I. 151 Ext	7.0 lb
<b>C.I. 152 Ext</b>	<b>12.0 lb</b>
C.I. 153 Ext	17.0 lb
<b>C.I. 154 Ext</b>	<b>19.0 lb</b>
C.I. Enlarged Base	8.0 lb
<b>C.I. 2 1/2" Water Lid</b>	<b>1.0 lb</b>
Brass Screw (Std. WW Pentagon)	
<b>Wrench (Std. WW Pentagon)</b>	<b>0.5 lb</b>
2 1/2" Repair Lid Old	4.5 lb
<b>2 1/2" Repair Lid New</b>	<b>4.5 lb</b>
2 1/2" Repair Lid Outside Cover	4.5 lb





**CAST IRON CURB BOXES CB100 C.I.**



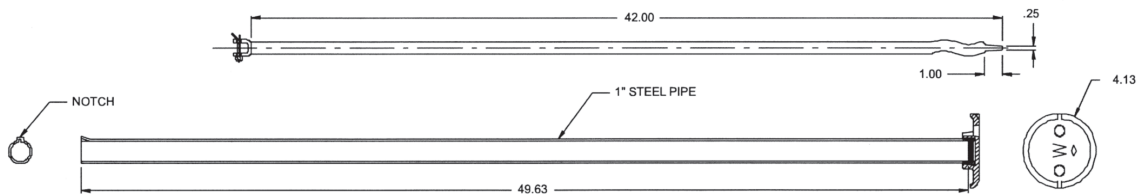
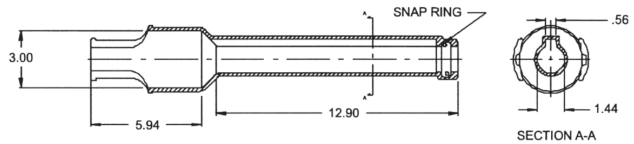
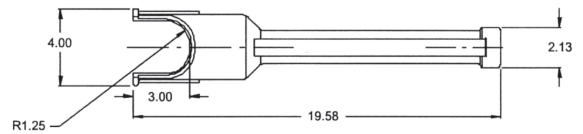
**CB100**

**APPROXIMATE WEIGHT**

**NOTE: LID CAST AS NEEDED  
WATER, SEWER, IRRIGATION**

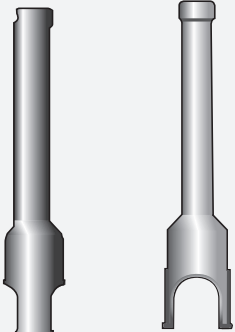
Model Number	Extended Length "A"	Rod Length "B"
CB-100 2 1/2'	2' - 6"	12"
CB-100 3'	3' - 0"	18"
CB-100 3 1/2'	3' - 6"	24"
CB-100 4'	4' - 0"	30"
CB-200 4 1/2'	4' - 6"	36"
CB-100 5'	5' - 0"	42"
CB-100 5 1/2'	5' - 6"	48"
CB-100 6'	6' - 0"	54"
CB-100 6 1/2'	6' - 6"	60"
CB-100 7'	7' - 0"	66"
CB-100 7 1/2'	7' - 6"	72"
CB-100 8'	8' - 0"	78"

\*Lengths shown are fully extended



**CASTINGS INC.** 860 4TH AVE. • P.O. BOX 669 • GRAND JCT, CO 81502 • 970.243.2032 • FAX 970.242.4962

**CAST IRON CURB BOXES CB150 C.I.**

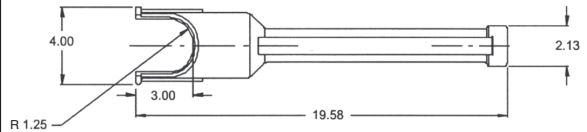


**CB150**

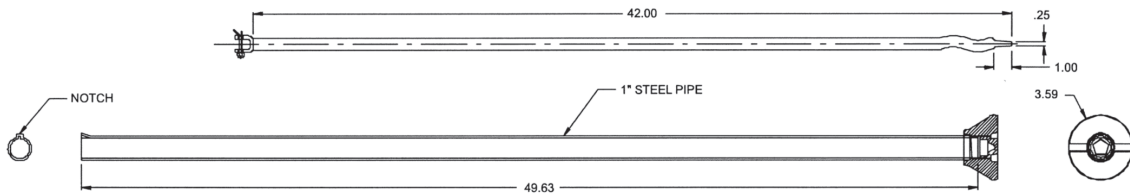
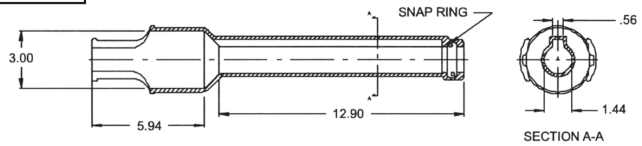
**APPROXIMATE WEIGHT**

**NOTE: LID CAST AS NEEDED  
WATER, SEWER, IRRIGATION**


Model Number	Extended Length "A"	Rod Length "B"
CB-150 2 1/2'	2' - 6"	12"
CB-150 3'	3' - 0"	18"
CB-150 3 1/2'	3' - 6"	24"
CB-150 4'	4' - 0"	30"
CB-150 4 1/2'	4' - 6"	36"
CB-150 5'	5' - 0"	42"
CB-150 5 1/2'	5' - 6"	48"
CB-150 6'	6' - 0"	54"
CB-150 6 1/2'	6' - 6"	60"
CB-150 7'	7' - 0"	66"
CB-150 7 1/2'	7' - 6"	72"
CB-150 8'	8' - 0"	78"



\*Lengths shown are fully extended



**CAST IRON CURB BOX CB200**



**APPROXIMATE WEIGHT CB200**

**NOTES:**  
**LIDS CAST AS NEEDED**  
**WATER, SEWER, IRRIGATION**

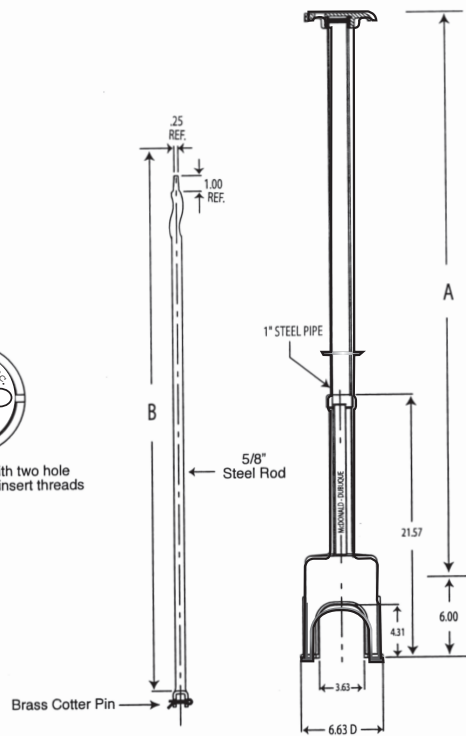
Model Number	Extended Length "A"	Rod Length "B"
CB-200 2 1/2'	2' - 6"	12"
CB-200 3'	3' - 0"	18"
CB-200 3 1/2'	3' - 6"	24"
CB-200 4'	4' - 0"	30"
CB-200 4 1/2'	4' - 6"	36"
CB-200 5'	5' - 0"	42"
CB-200 5 1/2'	5' - 6"	48"
CB-200 6'	6' - 0"	54"
CB-200 6 1/2'	6' - 6"	60"
CB-200 7'	7' - 0"	66"
CB-200 7 1/2'	7' - 6"	72"
CB-200 8'	8' - 0"	78"

\*Lengths shown are fully extended

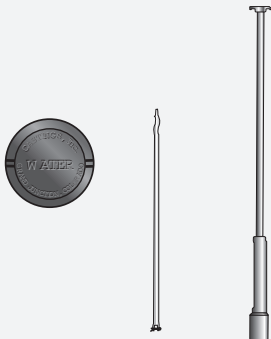
Cast iron water lid standard  
 Cast iron arch pattern design  
 Upper section 1" steel pipe  
 Telescoping length of 12"  
 For use with regular pattern inverted plug corp  
 stops 1 1/4", 1 1/2" and 2"  
 For use with regular pattern ball valves 1 1/2" and 2"



4.13 Cast iron water lid with two hole erie pattern and brass insert threads



**CAST IRON CURB BOX CB250**



**APPROXIMATE WEIGHT CB250**

**NOTES:**  
**LIDS CAST AS NEEDED**  
**WATER, SEWER, IRRIGATION**

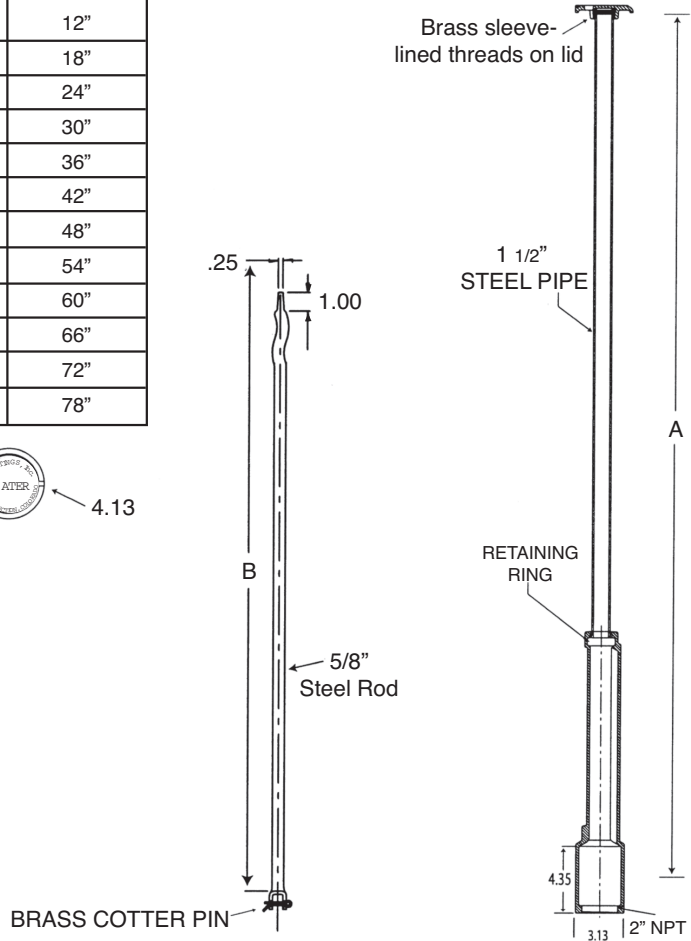
**MINNEAPOLIS PATTERN**

Model Number	Extended Length "A"	Rod Length "B"
CB-250 2 1/2'	2' - 6"	12"
CB-250 3'	3' - 0"	18"
CB-250 3 1/2'	3' - 6"	24"
CB-250 4'	4' - 0"	30"
CB-250 4 1/2'	4' - 6"	36"
CB-250 5'	5' - 0"	42"
CB-250 5 1/2'	5' - 6"	48"
CB-250 6'	6' - 0"	54"
CB-250 6 1/2'	6' - 6"	60"
CB-250 7'	7' - 0"	66"
CB-250 7 1/2'	7' - 6"	72"
CB-250 8'	8' - 0"	78"

\*Lengths shown are fully extended



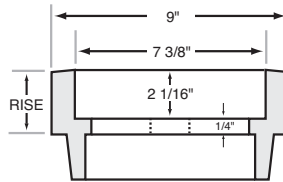
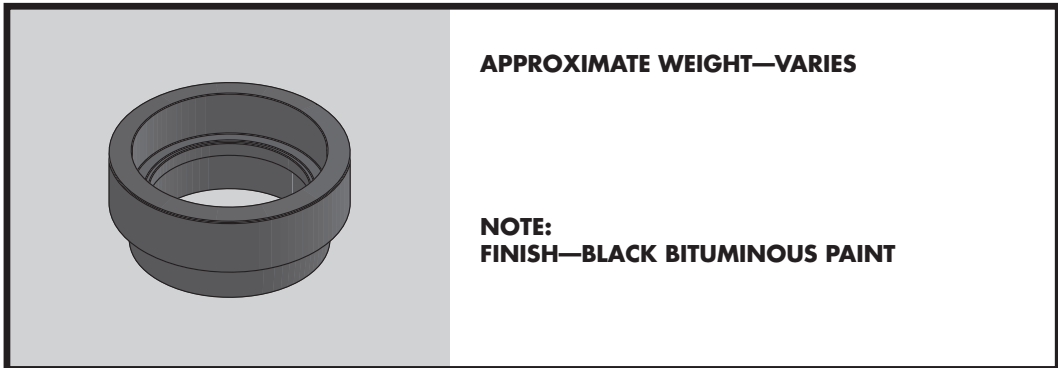
Upper section 1 1/2" steel pipe  
 Telescoping length of 12"  
 Includes steel shut-off rod



**CAST IRON**

**VALVE BOX RISER**

**VBR 1" - 6" C.I.**

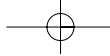


RISE (inches)	PRODUCT NO.	WEIGHT (lb)
1	3114 A	5
1 1/4	3114 B	7
1 1/2	3114 C	9
2	3114 D	11
2 1/2	3114 E	12
3	3114 F	17
4	3114 G	22
5	3114 H	16
6	3114 I	30

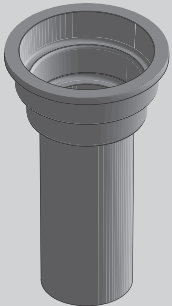


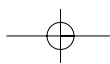
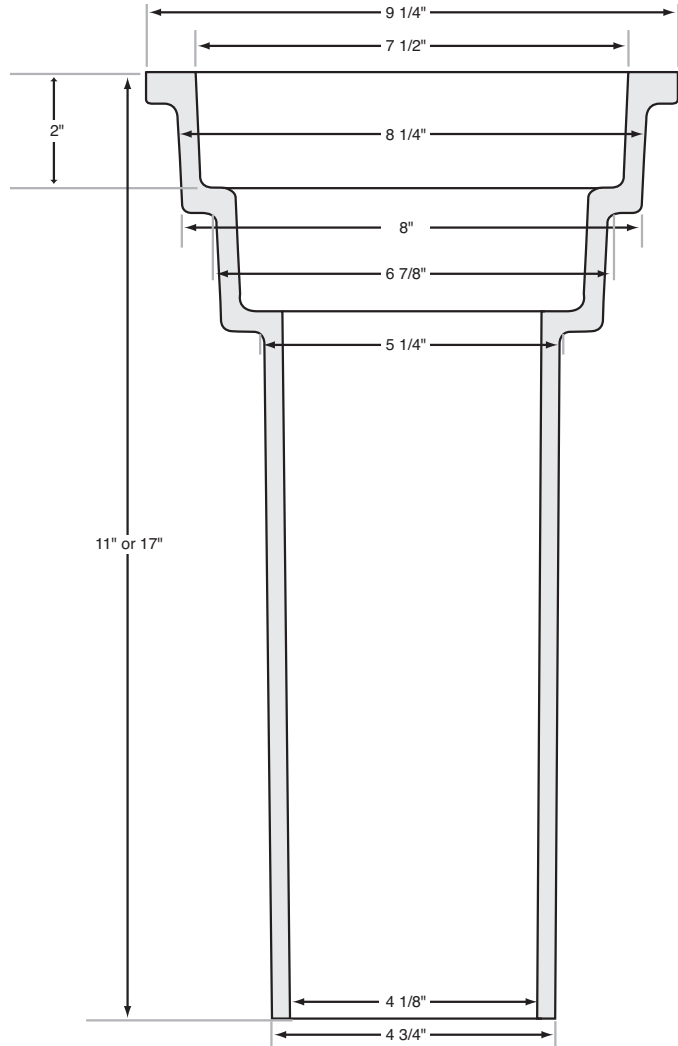
**CASTINGS INC.**

860 4TH AVE. • P.O. BOX 669 • GRAND JCT, CO 81502 • 970.243.2032 • FAX 970.242.4962

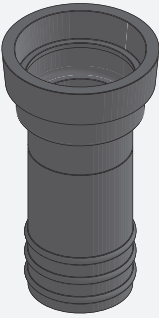


**CAST IRON VALVE BOX TOP RISER VBR 11" & 17" RITE HITE CT**

	<b>APPROXIMATE WEIGHT</b>		
	<b>VBR 11"</b>	<b>25#</b>	<b>VBRA11CI</b>
	<b>VBR 17"</b>	<b>30#</b>	<b>VBRA17CI</b>
	<b>NOTE: FINISH-BLACK BITUMINOUS PAINT</b>		



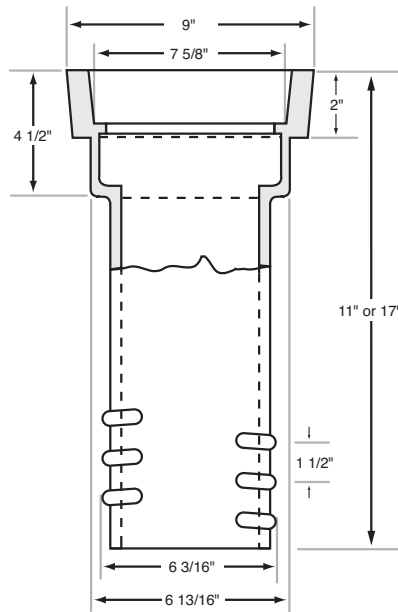
**CAST IRON VALVE BOX RITE HITE – SCREW VBR 11" & 17" C.I.**



**APPROXIMATE WEIGHT**

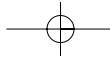
<b>11" SCREW TYPE</b>	<b>23 lb</b>	<b>VBR511CI</b>
<b>17" SCREW TYPE</b>	<b>27 lb</b>	<b>VBR517CI</b>

**NOTE:**  
**FINISH—BLACK BITUMINOUS PAINT**

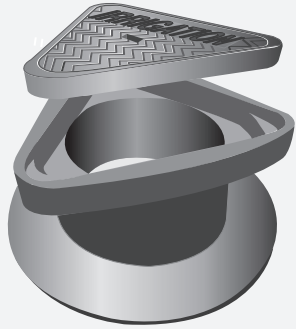


**SECTION A-A**  
SCREW-TYPE  
ADJUSTABLE RISERS





**CAST IRON VALVE BOX 3TCI**

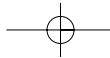
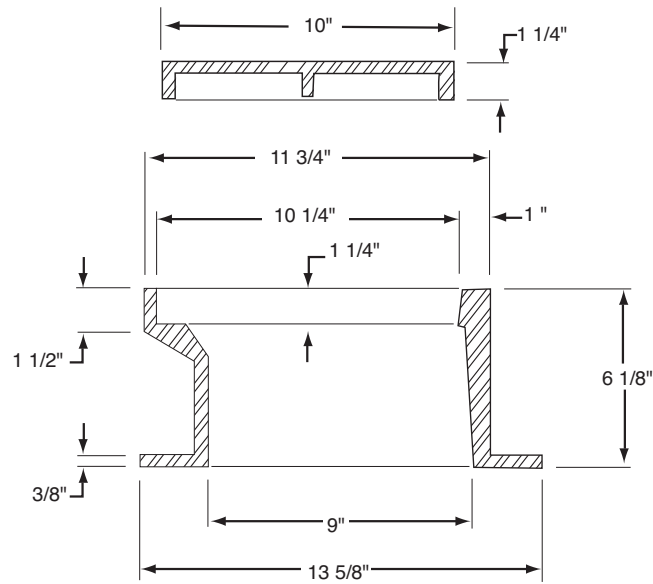


**APPROXIMATE WEIGHT—45 lbs.**

<b>LID</b>	<b>12 LB</b>
<b>BODY</b>	<b>33 LB</b>

**NOTES:**  
**NAMEPLATES—CAST AS PER REQUIRED**  
**FINISH—BLACK BITUMINOUS PAINT**  
**NAMES AVAILABLE:**  
**RECLAIMED WATER**  
**IRRIGATION**

**3TCI**





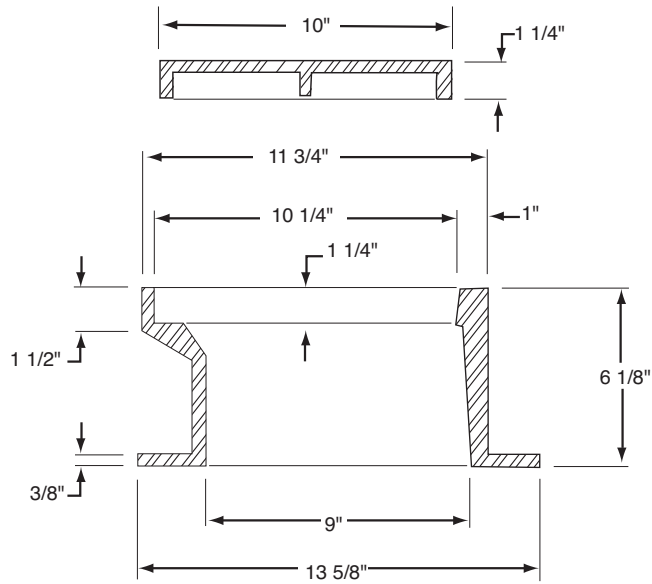
**CAST IRON VALVE BOX 3TCIDEN**

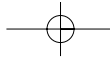
**APPROXIMATE WEIGHT—45 lbs. 3TCIDEN**

**LID 12 LB**

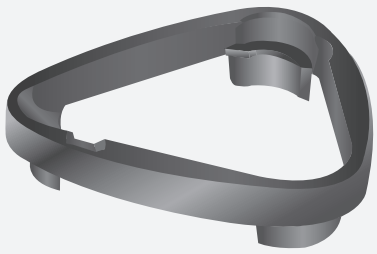
**BODY 33 LB**

**NOTES:**  
**NAMEPLATES—CAST AS PER REQUIRED**  
**FINISH—BLACK BITUMINOUS PAINT OR PURPLE**  
**NAME AVAILABLE:**  
**DMWW**  
**NON-POTABLE**  
**WATER**  
**OPEN LEFT**  
**BOLT DOWN**





**CAST IRON** **RING RISER** **3TERCI**



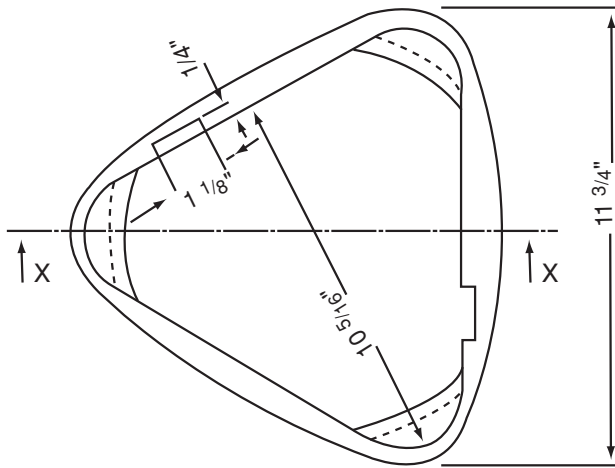
**3TERCI**

**APPROXIMATE WEIGHT—VARIES**

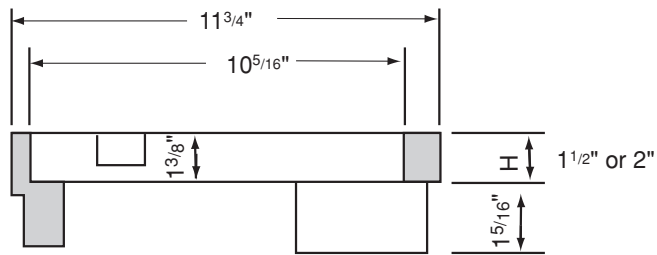
**SIZES: 1 1/2" OR 2"**

**NOTE:**  
**FINISH—BLACK BITUMINOUS PAINT**

**1 1/2" RISER - 12 lb**  
**2" RISER - 17 lb**



PLAN

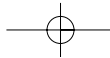


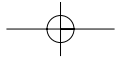
SECTION - XX



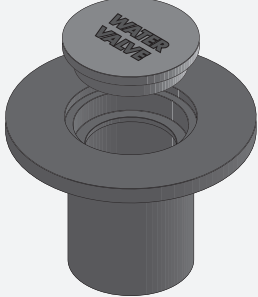
**CASTINGS INC.**

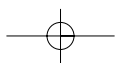
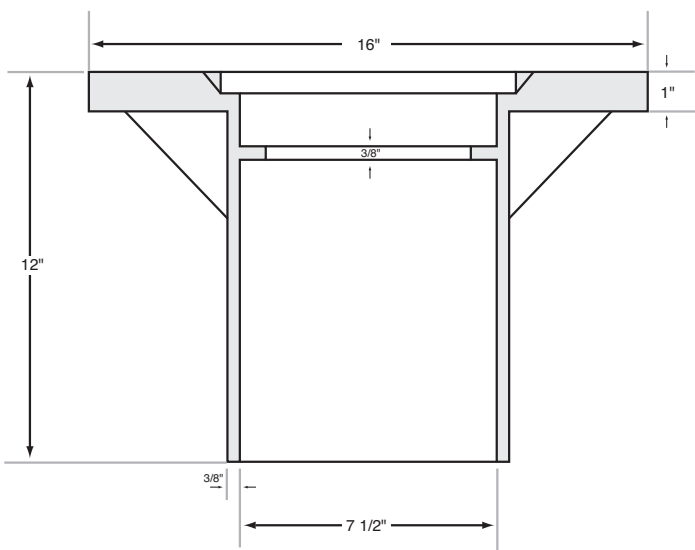
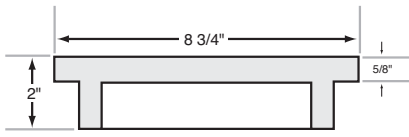
860 4TH AVE. • P.O. BOX 669 • GRAND JCT, CO 81502 • 970.243.2032 • FAX 970.242.4962





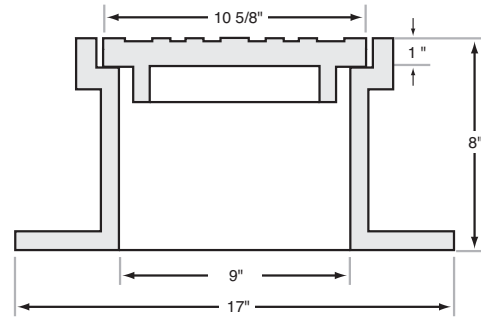
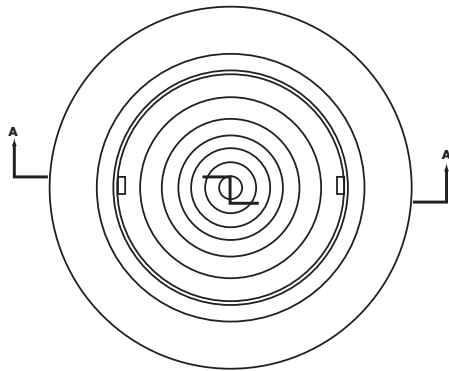
**CAST IRON VALVE BOX VB-3729 C.I.**

	<b>APPROXIMATE WEIGHT</b> 90 lb	<b>VBPUBLO</b>
	<b>LID</b> 16 LB	
	<b>BODY</b> 74 LB	
<b>NOTE:</b> <b>FINISH—BLACK BITUMINOUS PAINT</b>		

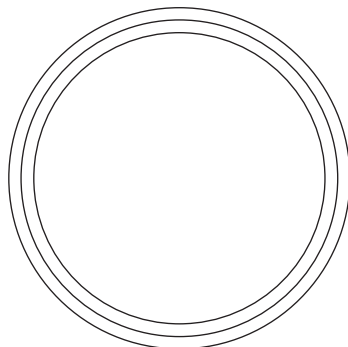


**CAST IRON CLEAN OUT CO-8030 C.I.**

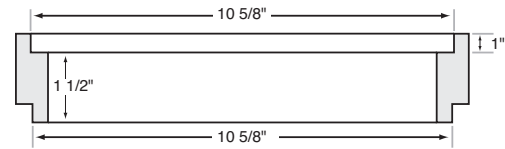
		<b>CO8030CI</b>	
		<b>APPROXIMATE WEIGHT</b>	<b>67 lb</b>
<b>LID</b>	<b>20 lb</b>		
<b>BODY</b>	<b>47 lb</b>		
<b>1 1/2"</b>	<b>RISER—10 lb</b>		
<b>2"</b>	<b>RISER—13 lb</b>		
<b>NOTE:</b> <b>FINISH—BLACK BITUMINOUS PAINT</b> <b>"SEWER" LID AVAILABLE</b>			



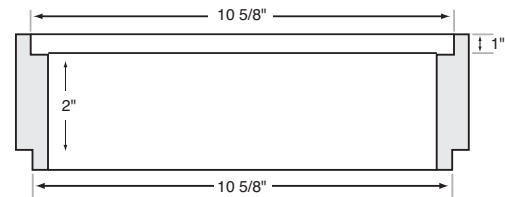
SECTION A-A



RISER



CO8030 RR 1 1/2

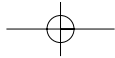


CO8030 RR2

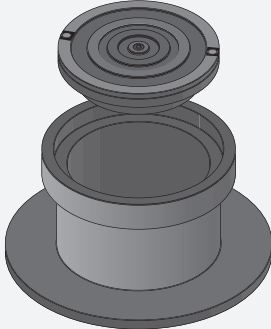


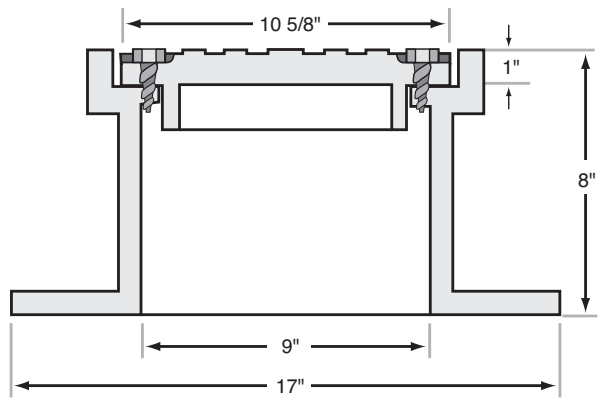
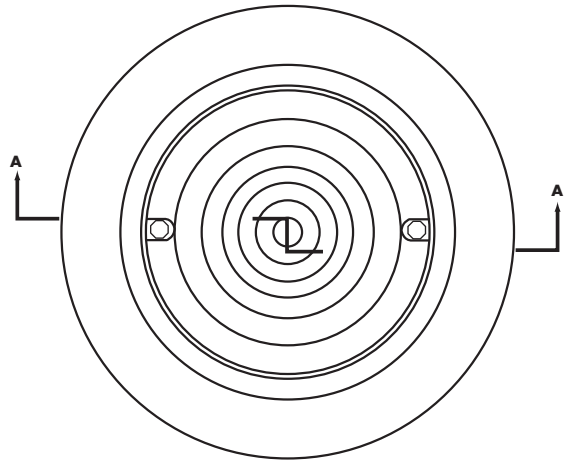
**CASTINGS INC.**

860 4TH AVE. • P.O. BOX 669 • GRAND JCT, CO 81502 • 970.243.2032 • FAX 970.242.4962

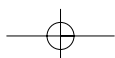


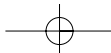
**CAST IRON**                      **CLEAN OUT**                      **CO-8030 BOLT DOWN C.I.**

	<b>CO8030CIB</b>
	<b>APPROXIMATE WEIGHT    67 lb</b> <b>LID - 20 lb</b> <b>BODY - 47 lb</b>
<b>NOTE:</b> <b>FINISH—BLACK BITUMINOUS PAINT</b> <b>BOLT DOWN</b>	



SECTION A-A

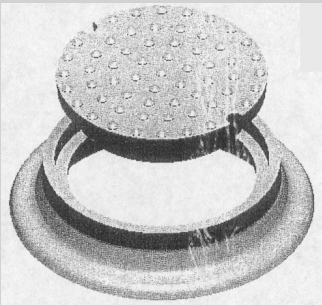


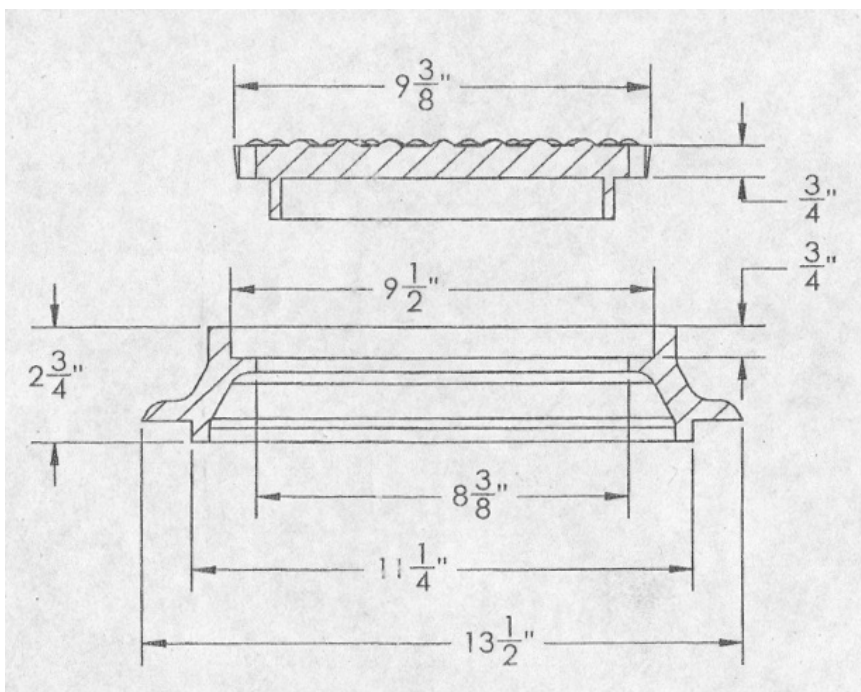


**CAST IRON**

**COVER**

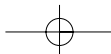
**CO 6313**

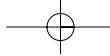
	<b>APPROXIMATE WEIGHT</b>	<b>CO6313</b>
	<b>LID</b>	<b>15 lb</b>
	<b>BODY</b>	<b>20 lb</b>
<b>NOTE:</b>		



**CASTINGS INC.**

860 4TH AVE. • P.O. BOX 669 • GRAND JCT, CO 81502 • 970.243.2032 • FAX 970.242.4962

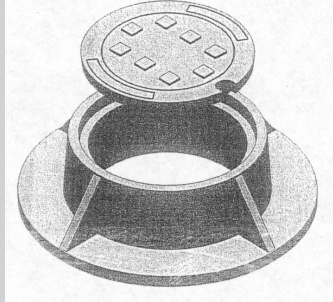




**CAST IRON**

**COVER**

**CO 8020**

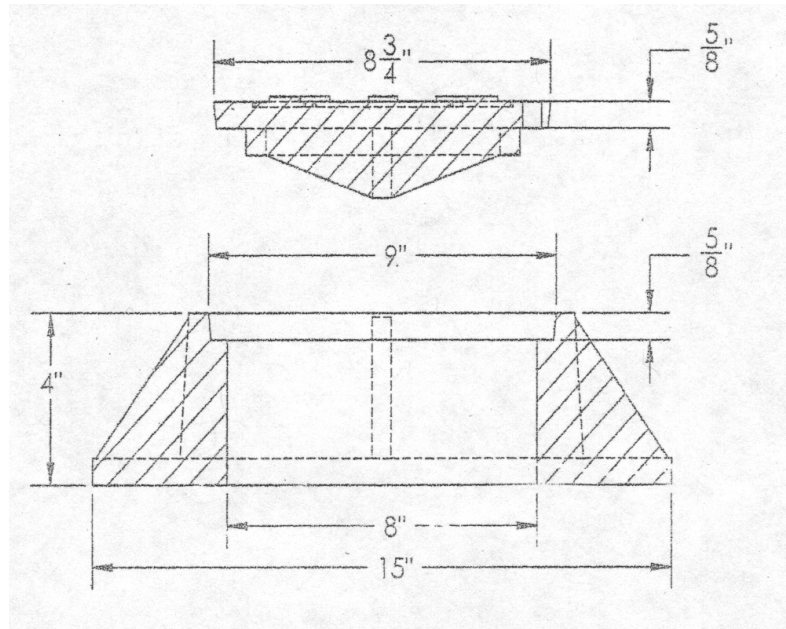


**CO8020**

**APPROXIMATE WEIGHT**

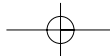
**LID 15 lb**  
**BODY 40 lb**

**NOTE:**




**CASTINGS INC.**

860 4TH AVE. • P.O. BOX 669 • GRAND JCT, CO 81502 • 970.243.2032 • FAX 970.242.4962



**CAST IRON VALVE BOX MODEL 4TCI16S**

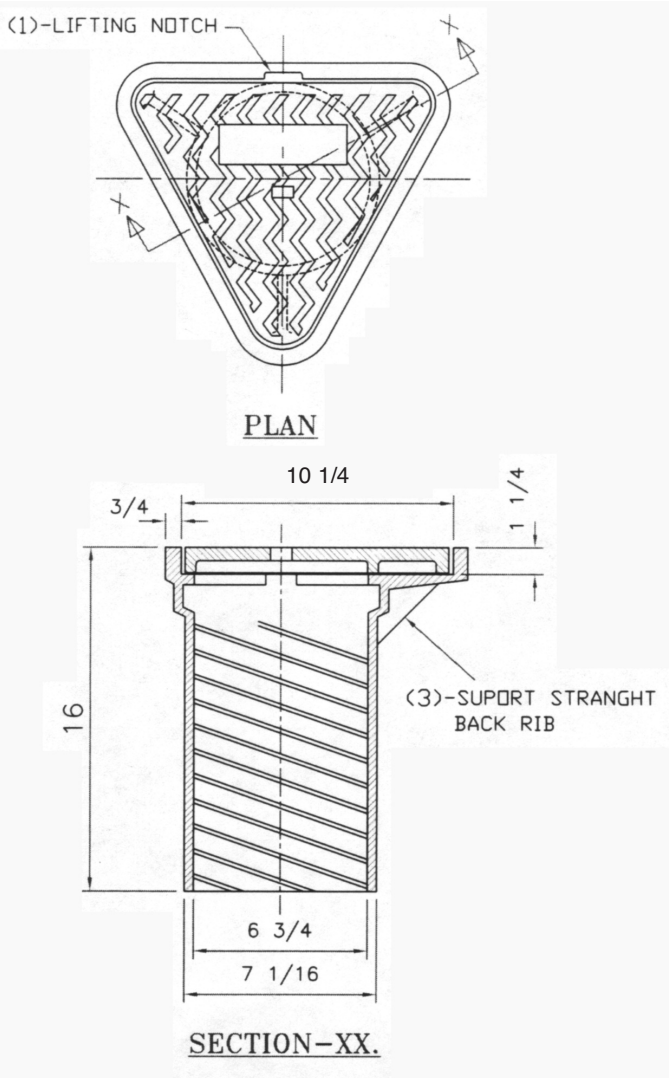


**4TCI16S**

**APPROXIMATE WEIGHT 57 lbs.**


<b>LID</b>	<b>12 lb</b>
<b>BODY</b>	<b>45 lb</b>

**NOTES:**  
**NAMEPLATES - CAST AS PER REQUIRED**  
**FINISH - BLACK BITUMINOUS PAINT**  
**MARKING - IT WILL BE CASTED AS RERQUIRED**  
**MATERIAL - ASTM A 48 CLASS 35**





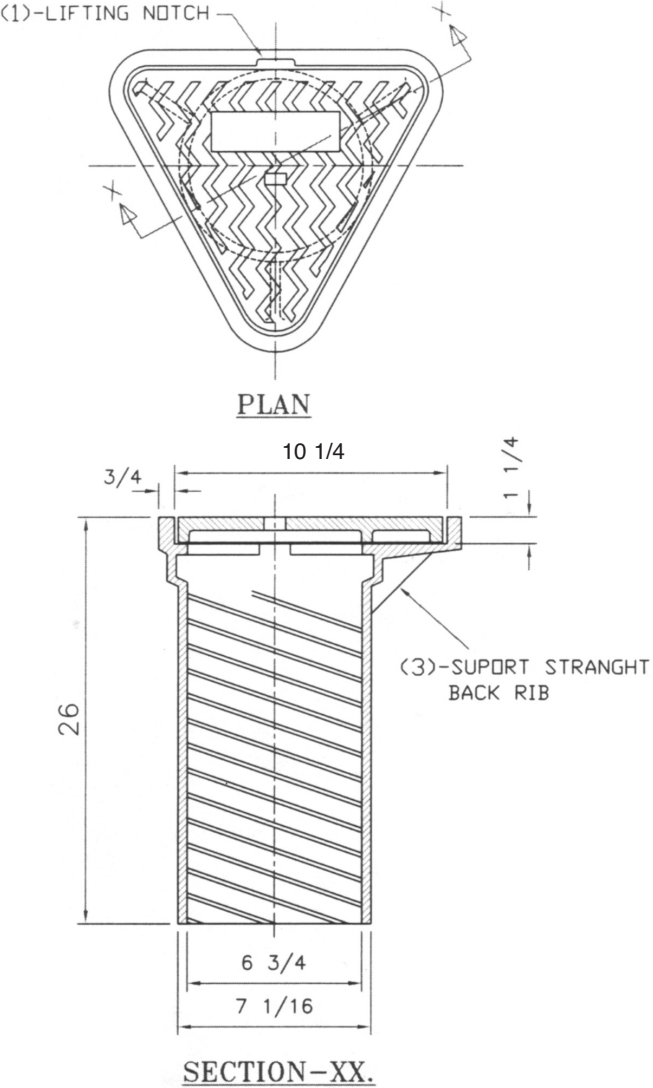
**CAST IRON VALVE BOX MODEL 4TCI26S**



**APPROXIMATE WEIGHT 77 lbs.**

**LID 15 lb**  
**BODY 62 lb**

**NOTES:**  
**NAMEPLATES - CAST AS PER REQUIRED**  
**FINISH - BLACK BITUMINOUS PAINT**  
**MARKING - IT WILL BE CASTED AS RERQUIRED**  
**MATERIAL - ASTM A 48 CLASS 35**



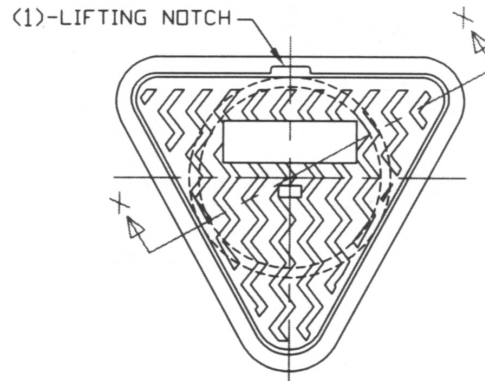
**CAST IRON VALVE BOX MODEL 4TC11 1A**



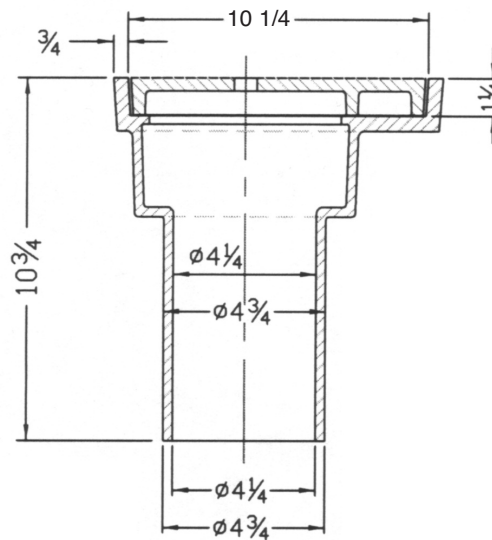
**APPROXIMATE WEIGHT 57 lbs.**

**LID 15 lb**  
**BODY 42 lb**

**NOTES:**  
**NAMEPLATES - CAST AS PER REQUIRED**  
**FINISH - BLACK BITUMINOUS PAINT**  
**MARKING - IT WILL BE CASTED AS RERQUIRED**  
**MATERIAL - ASTM A 48 CLASS 35**  
**MACHINING - NOT REQUIRED**



**PLAN**



**SECTION - XX.**



**CASTINGS INC.**

860 4TH AVE. • P.O. BOX 669 • GRAND JCT, CO 81502 • 970.243.2032 • FAX 970.242.4962

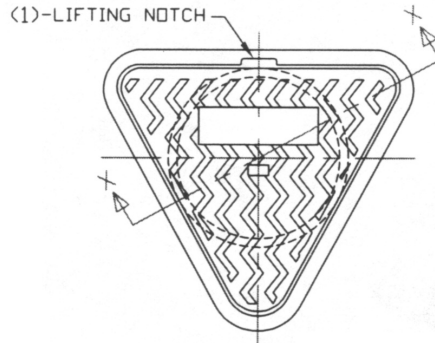
**CAST IRON VALVE BOX MODEL 4TC18A**



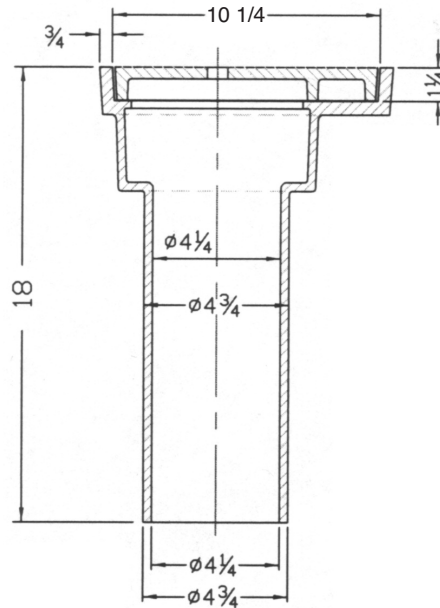
**APPROXIMATE WEIGHT 67 lbs.**

**LID 15 lb**  
**BODY 52 lb**

**NOTES:**  
**NAMEPLATES - CAST AS PER REQUIRED**  
**FINISH - BLACK BITUMINOUS PAINT**  
**MARKING - IT WILL BE CASTED AS RERQUIRED**  
**MATERIAL - ASTM A 48 CLASS 35**  
**MACHINING - NOT REQUIRED**



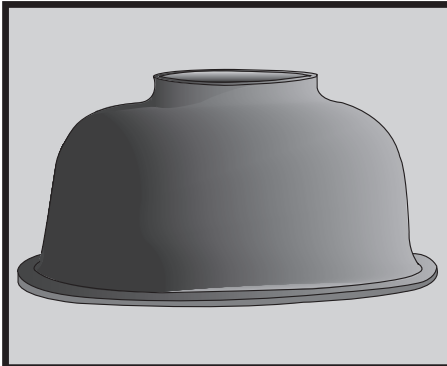
PLAN



SECTION- XX.

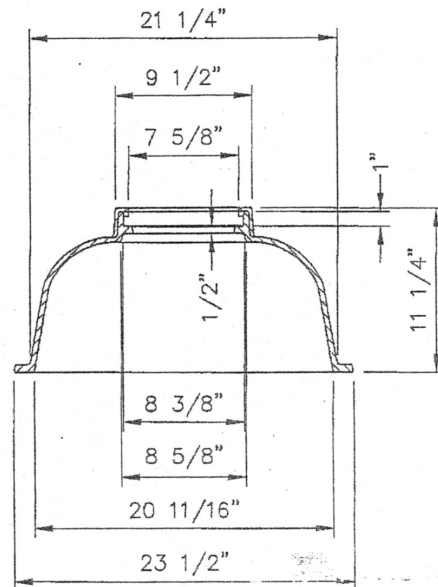
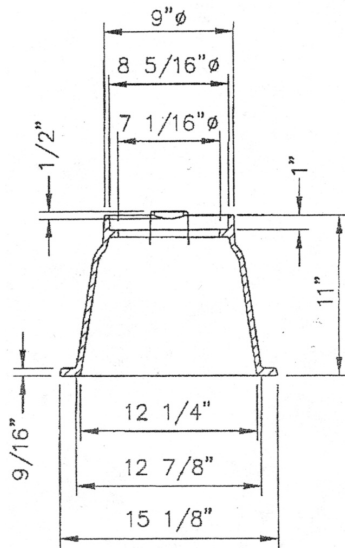
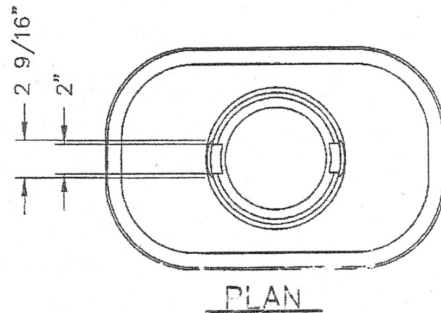


**CAST IRON VALVE BOX MODEL 160OVALDENUR**



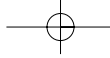
**APPROXIMATE WEIGHT 66 lbs**

**NOTES:**  
**NAMEPLATES - CAST AS PER REQUIRED**  
**FINISH - BLACK BITUMINOUS PAINT**  
**MARKING - IT WILL BE CASTED AS RERQUIRED**  
**MATERIAL - ASTM A 48 CLASS 35**  
**MACHINING - NOT REQUIRED**



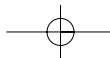
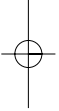
**CASTINGS INC.**

860 4TH AVE. • P.O. BOX 669 • GRAND JCT, CO 81502 • 970.243.2032 • FAX 970.242.4962

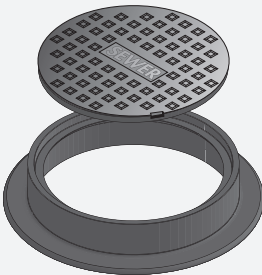


# **SECTION 8**

## **CAST IRON MANHOLE RING AND COVERS, FROST PROOF COVERS, EXTENSION RINGS**



**CAST IRON MANHOLE RING AND COVER MH-250-24 C.I.**

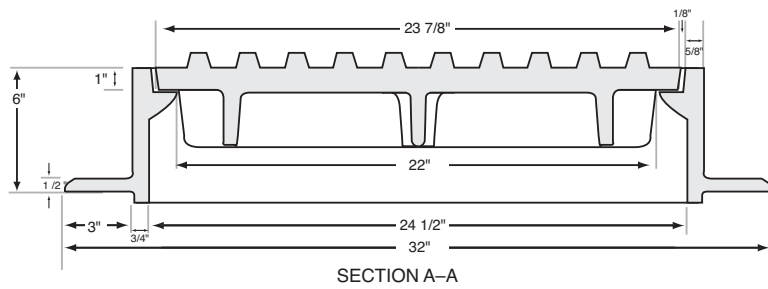
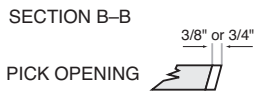
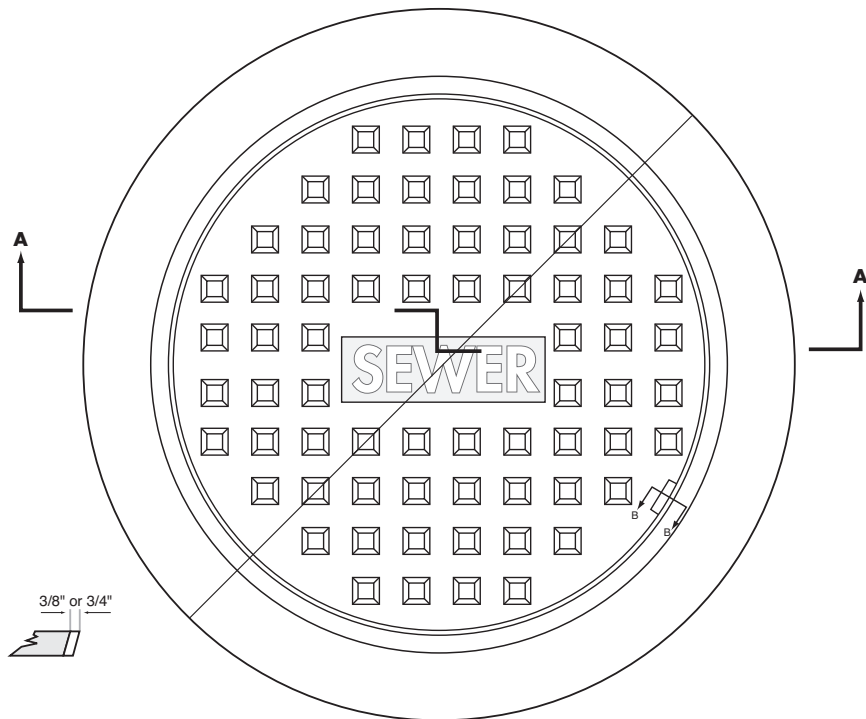


**MH25024CI**

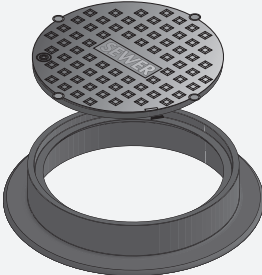
**APPROXIMATE WEIGHT**

**COVER D 120 lb CHECKER OR RAISED**  
**COVER B 134 lb**  
**RING 123 lb**

**NOTES:**  
**NAMEPLATES—CAST AS PER REQUIRED**  
**MACHINING—LID & RING SEAT**  
**FINISH—BLACK BITUMINOUS PAINT**  
**CLASS 35**



**CAST IRON MANHOLE RING AND COVER MH-250-24 BOLT DOWN C.I.**

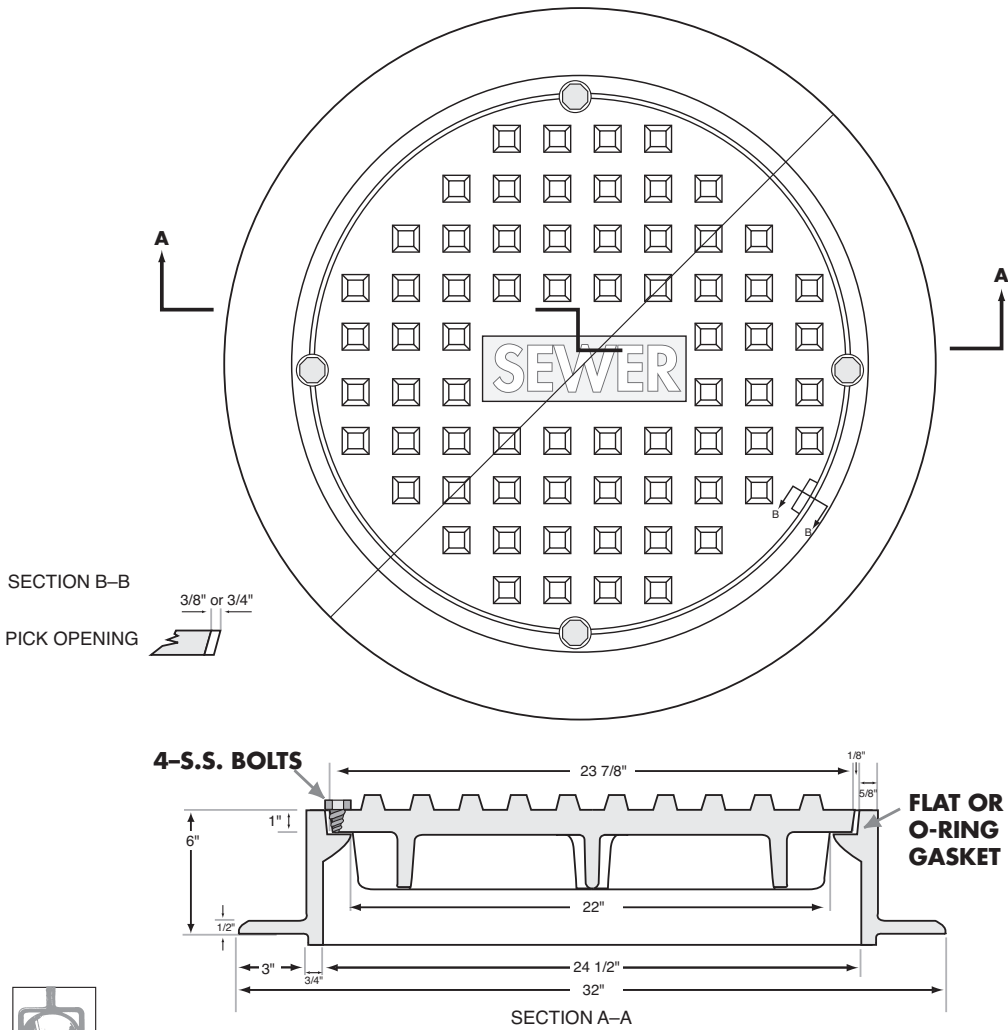


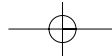
**MH25024CI**

**APPROXIMATE WEIGHT**

**COVER D 120 lb CHECKER**  
**COVER B 134 lb**  
**RING 123 lb**

**NOTES:**  
**NAMEPLATES—CAST AS PER REQUIRED**  
**MACHINING—LID & RING SEAT**  
**FINISH—BLACK BITUMINOUS PAINT**  
**CLASS 35**

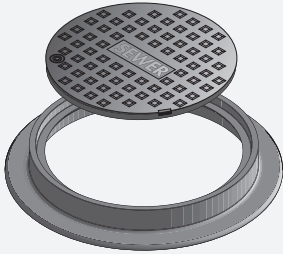




**CAST IRON**

**MANHOLE RING AND COVER**

**MH-310-24 C.I.**

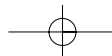
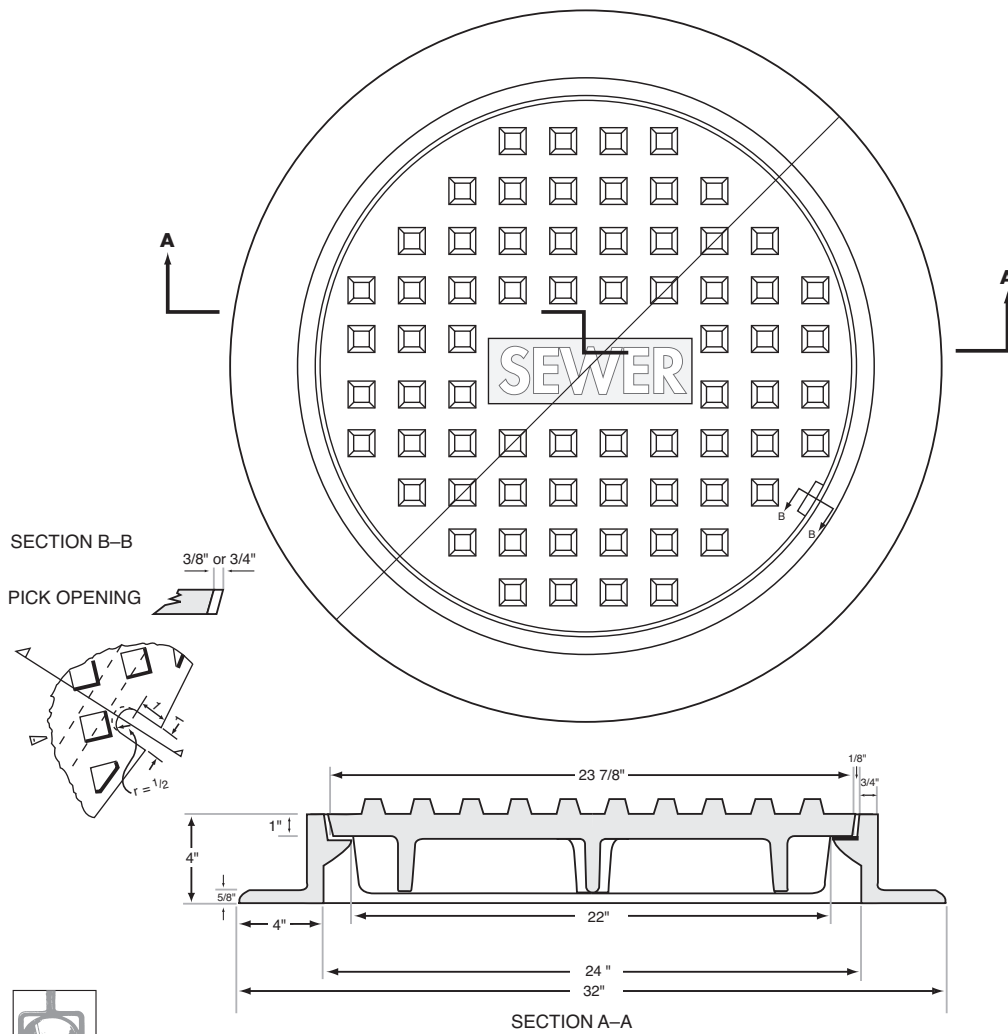
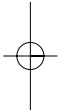


**MH31024CI**

**COVER B 134 lb**

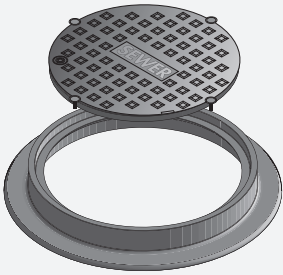
**RING 130 lb**

**NOTES:**  
**NAMEPLATES—CAST AS PER REQUIRED**  
**MACHINING—LID & RING SEAT**  
**FINISH—BLACK BITUMINOUS PAINT**  
**CLASS 35**





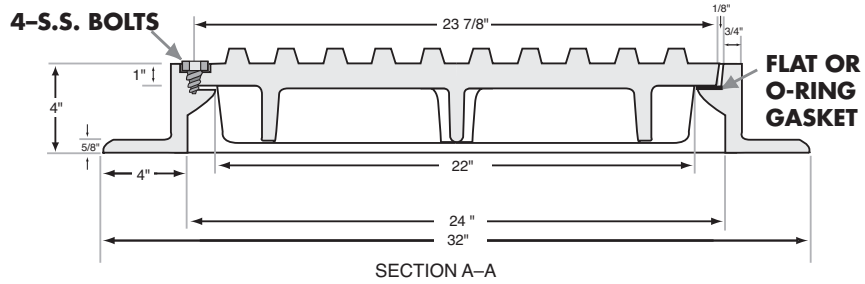
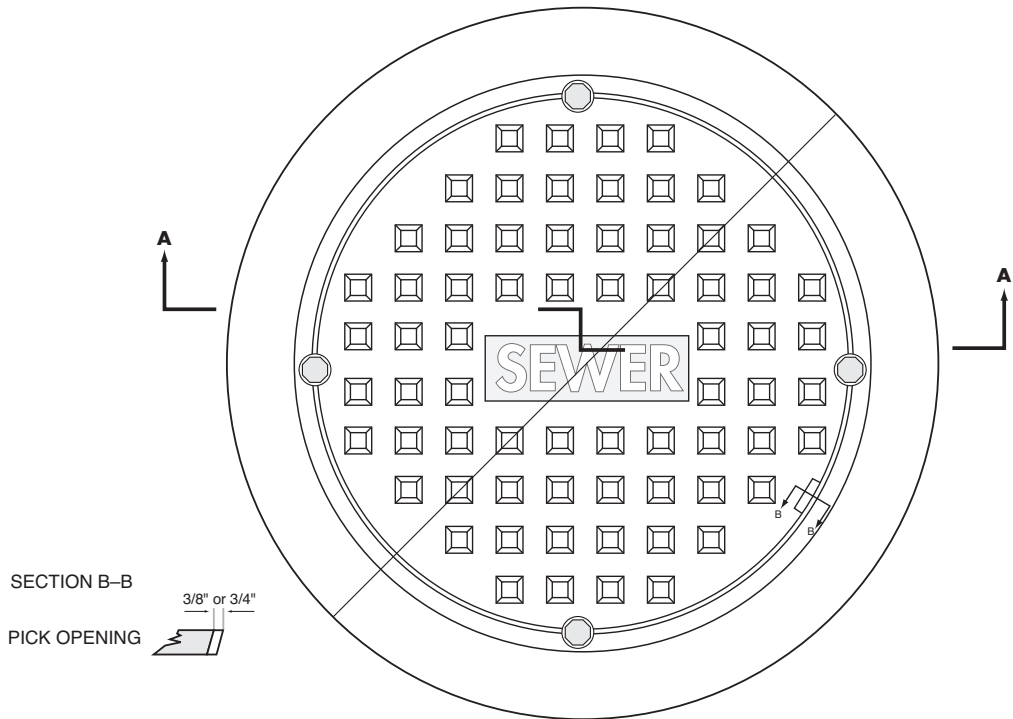
**CAST IRON MANHOLE RING AND COVER MH-310-24 BOLT DOWN C.I.**

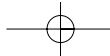


**MH31024CIAD**

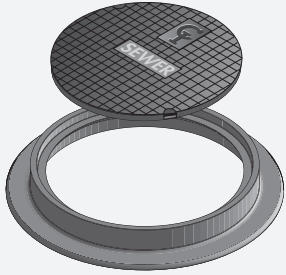
**CLASS 35**  
**COVER B 134 lb**  
**RING 130 lb**

**NOTES:**  
**NAMEPLATES—CAST AS PER REQUIRED**  
**MACHINING—LID & RING SEAT**  
**FINISH—BLACK BITUMINOUS PAINT**





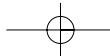
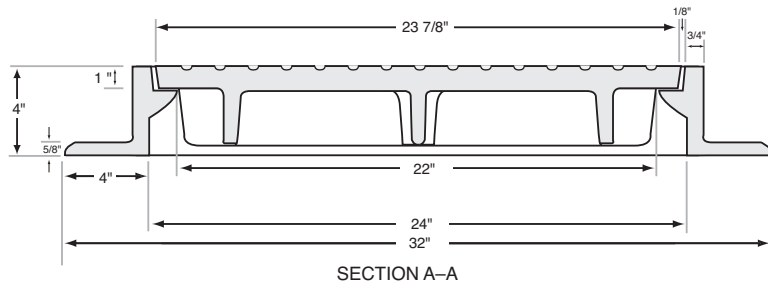
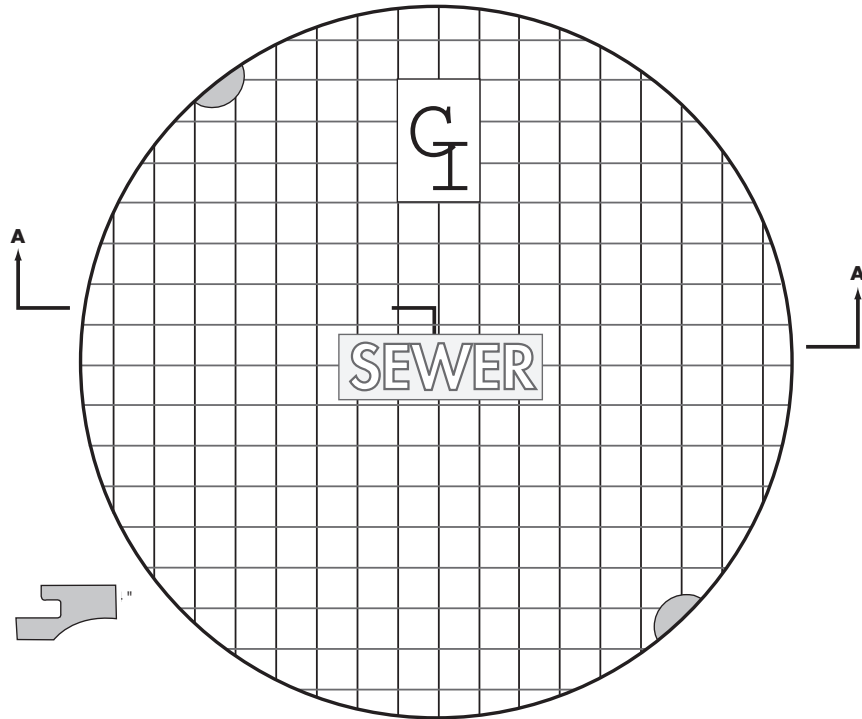
**CAST IRON MANHOLE RING AND COVER MH-310-24 C.I.**

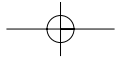


**APPROXIMATE WEIGHT**

**COVER B 132 lb Waffle Design**  
**COVER D 100 lb Waffle Design**  
**RING 130 lb**

**NOTES:**  
**AVAILABLE AS SELF-SEALING**  
**NAMEPLATES—CAST AS PER REQUIRED**  
**MACHINING—LID & RING SEAT**  
**FINISH—BLACK BITUMINOUS PAINT**  
**CLASS 35**

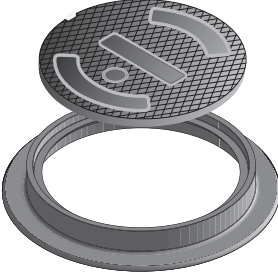




**CAST IRON**

**MANHOLE RING AND COVER**

**MH-310-24-R C.I.**

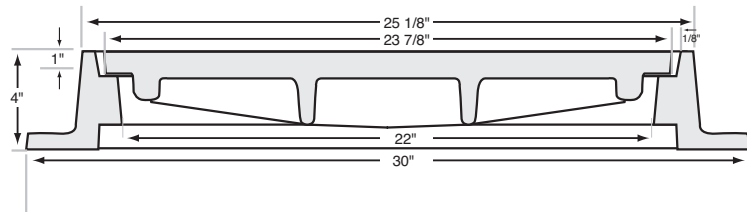
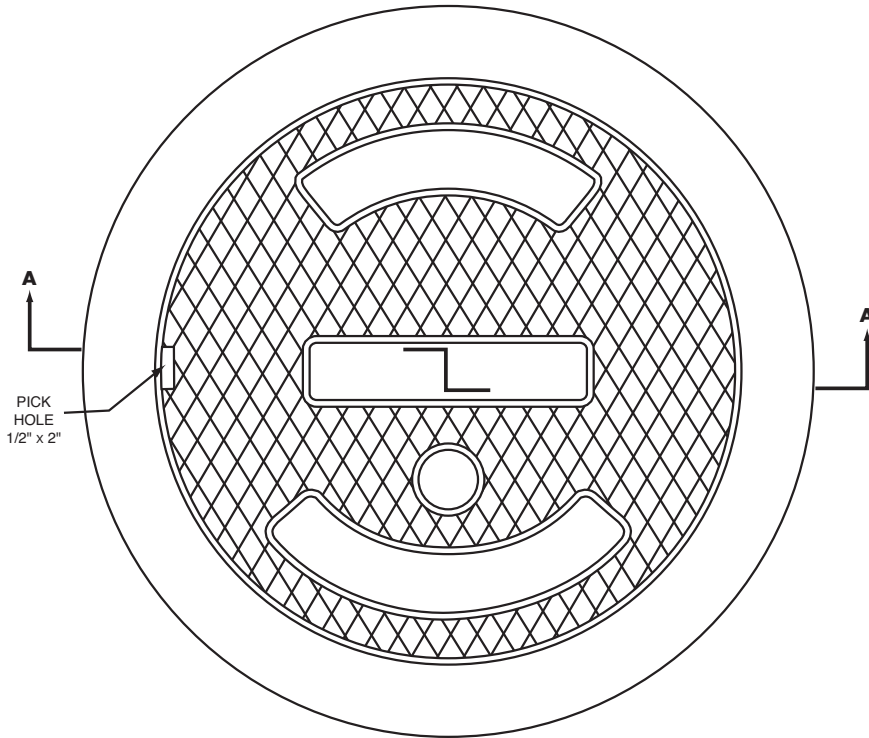


**MH31024RCI**

**APPROXIMATE WEIGHT**

<b>COVER</b>	<b>140 lb</b>
<b>RING</b>	<b>184 lb</b>

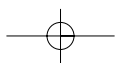
**NOTES:**  
**NAMEPLATES—CAST AS PER REQUIRED**  
**MACHINING—LID & RING SEAT**  
**FINISH—BLACK BITUMINOUS PAINT**  
**CLASS 35**  
**REVERSIBLE RING**

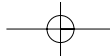


SECTION A-A



**CASTINGS INC.** 860 4TH AVE. • P.O. BOX 669 • GRAND JCT, CO 81502 • 970.243.2032 • FAX 970.242.4962





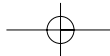
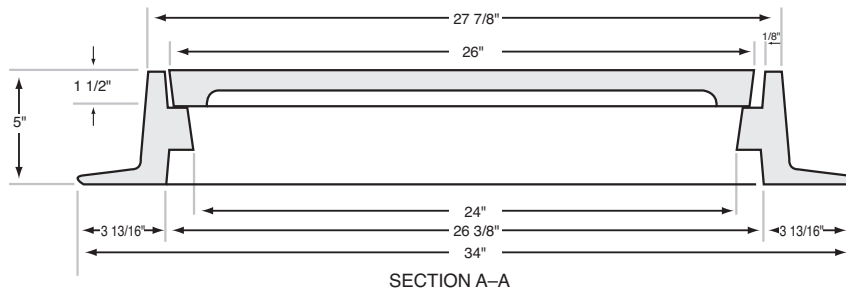
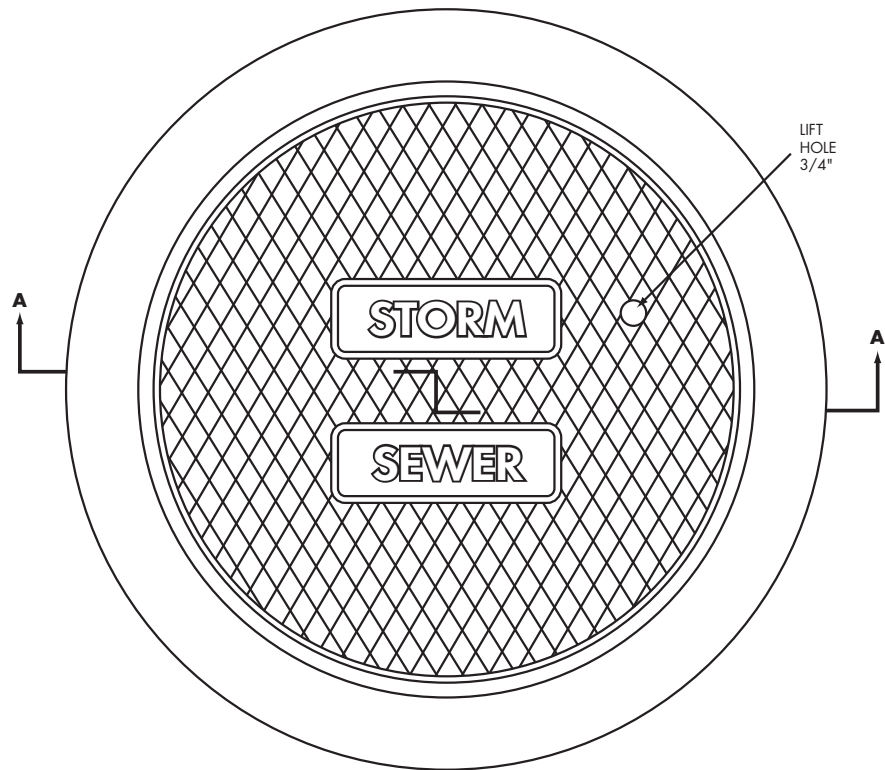
**CAST IRON MANHOLE RING AND COVER MH-325-26-R C.I.**

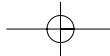
**APPROXIMATE WEIGHT**

**COVER 136 lb**  
**RING 184 lb**

**NOTES:**  
**NAMEPLATES—CAST AS PER REQUIRED**  
**MACHINING—LID & RING SEAT**  
**FINISH—BLACK BITUMINOUS PAINT**

**REVERSIBLE RING**

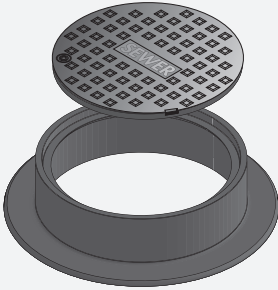




**CAST IRON**

**MANHOLE RING AND COVER**

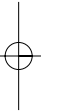
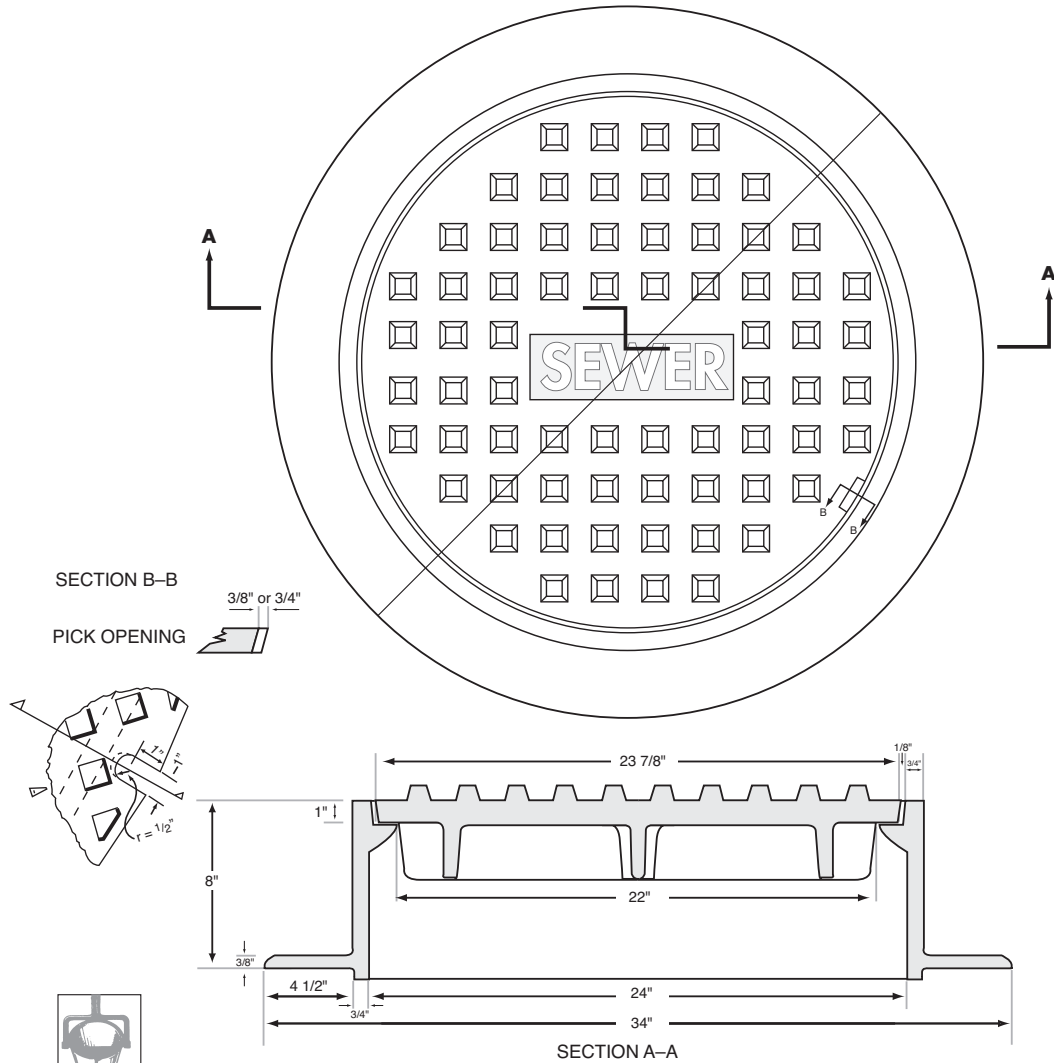
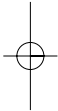
**MH-400-24 C.I.**



**APPROXIMATE WEIGHT** **MH40024CI**

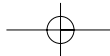
**CLASS 35**  
**COVER 134 lb**  
**RING 183 lb**

**NOTES:**  
**NAMEPLATES—CAST AS PER REQUIRED**  
**MACHINING—LID & RING SEAT**  
**FINISH—BLACK BITUMINOUS PAINT**  
**CLASS 35**

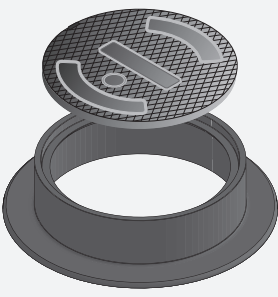


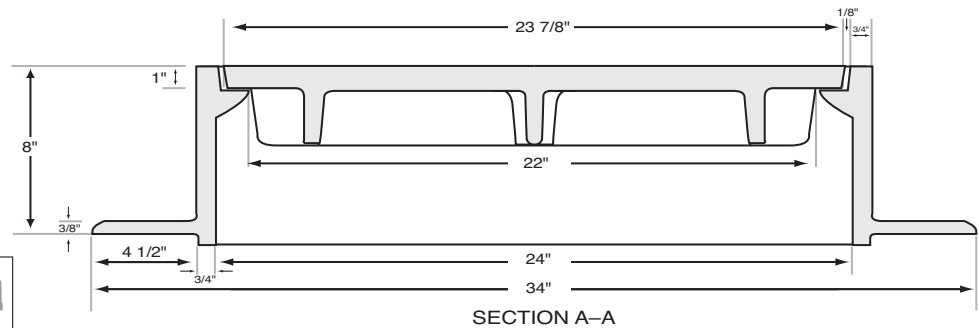
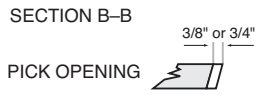
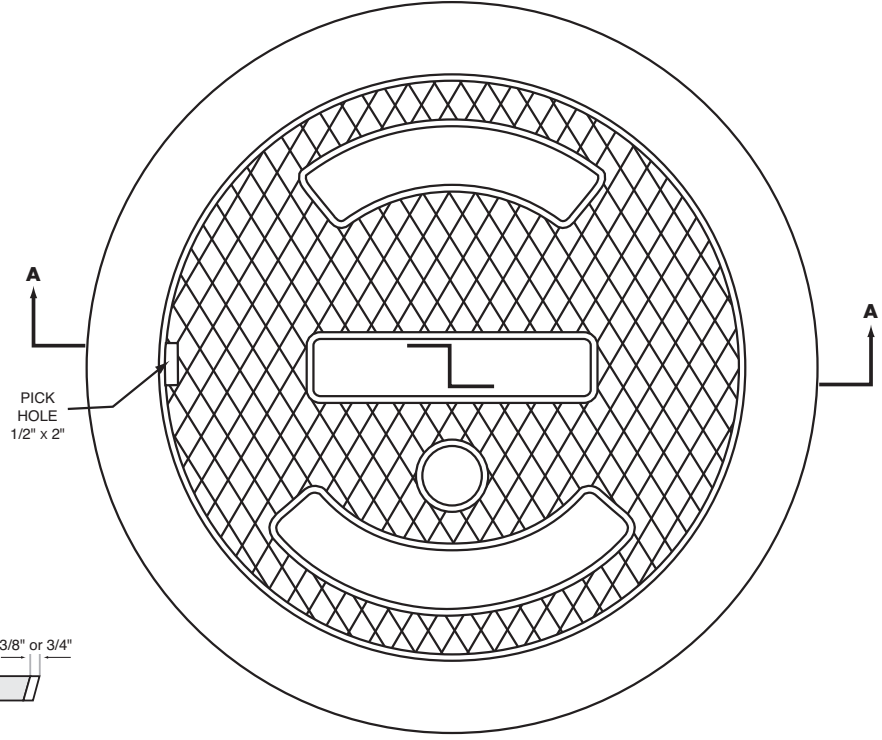
**CASTINGS INC.**

860 4TH AVE. • P.O. BOX 669 • GRAND JCT, CO 81502 • 970.243.2032 • FAX 970.242.4962



**CAST IRON MANHOLE RING AND COVER MH-400-24 C.I.S.**

	<b>APPROXIMATE WEIGHT</b>	<b>MH40024CIS</b>
	<b>COVER 140 lb</b> <b>RING 183 lb</b>	
<b>NOTES:</b> <b>NAMEPLATES—CAST AS PER REQUIRED</b> <b>MACHINING—LID &amp; RING SEAT</b> <b>FINISH—BLACK BITUMINOUS PAINT</b> <b>CLASS 35</b>		

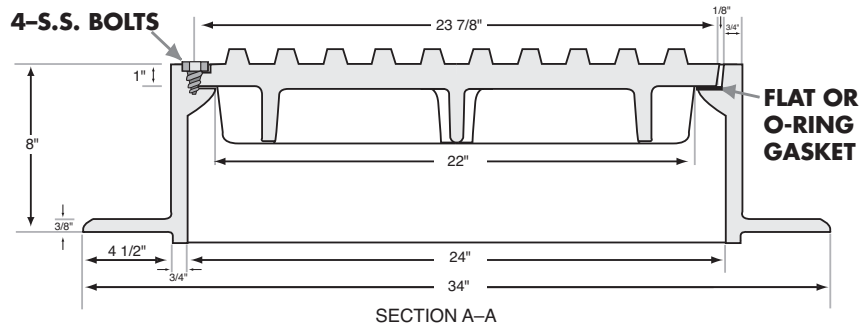
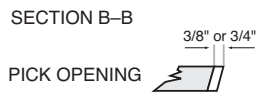
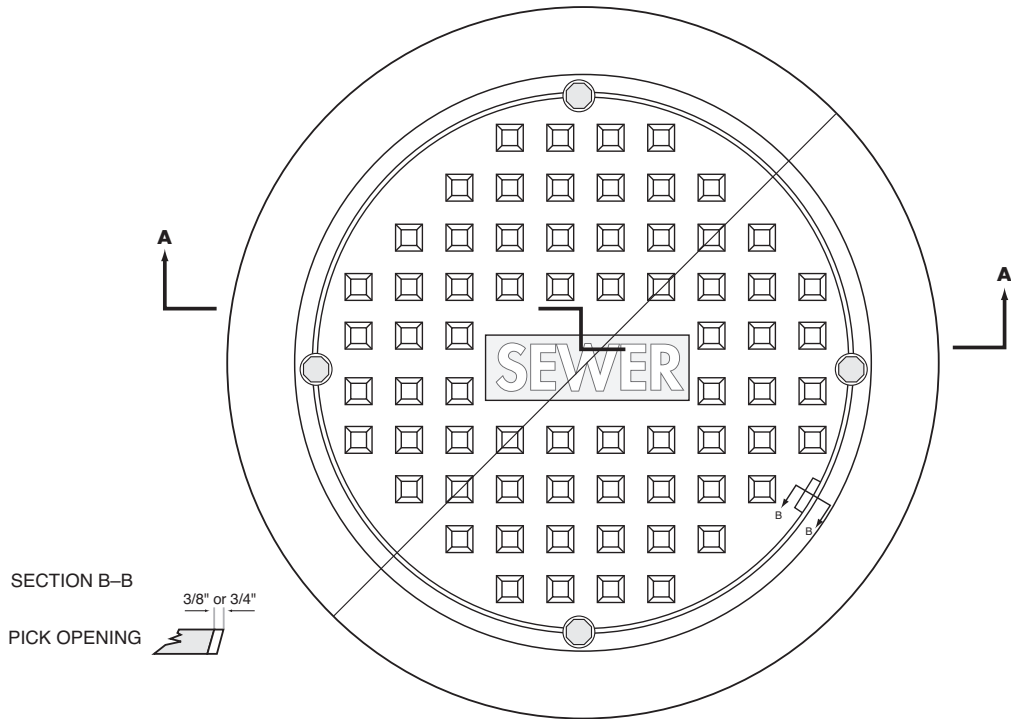


**CAST IRON MANHOLE RING AND COVER MH-400-24 BOLT DOWN C.I.**

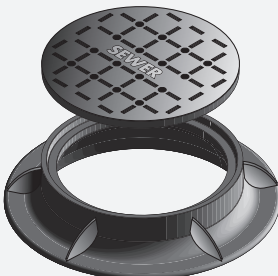
**MH40024CIBD**

**APPROXIMATE WEIGHT**  
**CLASS 35**  
**COVER 132 lb**  
**RING 183 lb**

**NOTES:**  
**NAMEPLATES—CAST AS PER REQUIRED**  
**MACHINING—LID & RING SEAT**  
**FINISH—BLACK BITUMINOUS PAINT**



**CAST IRON MANHOLE RING AND COVER MH-405-25 C.I.**

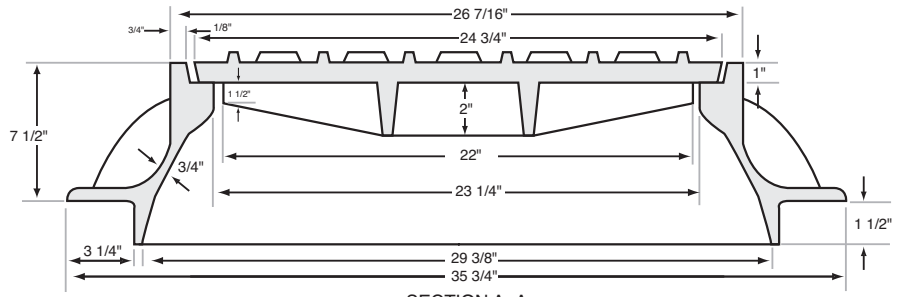
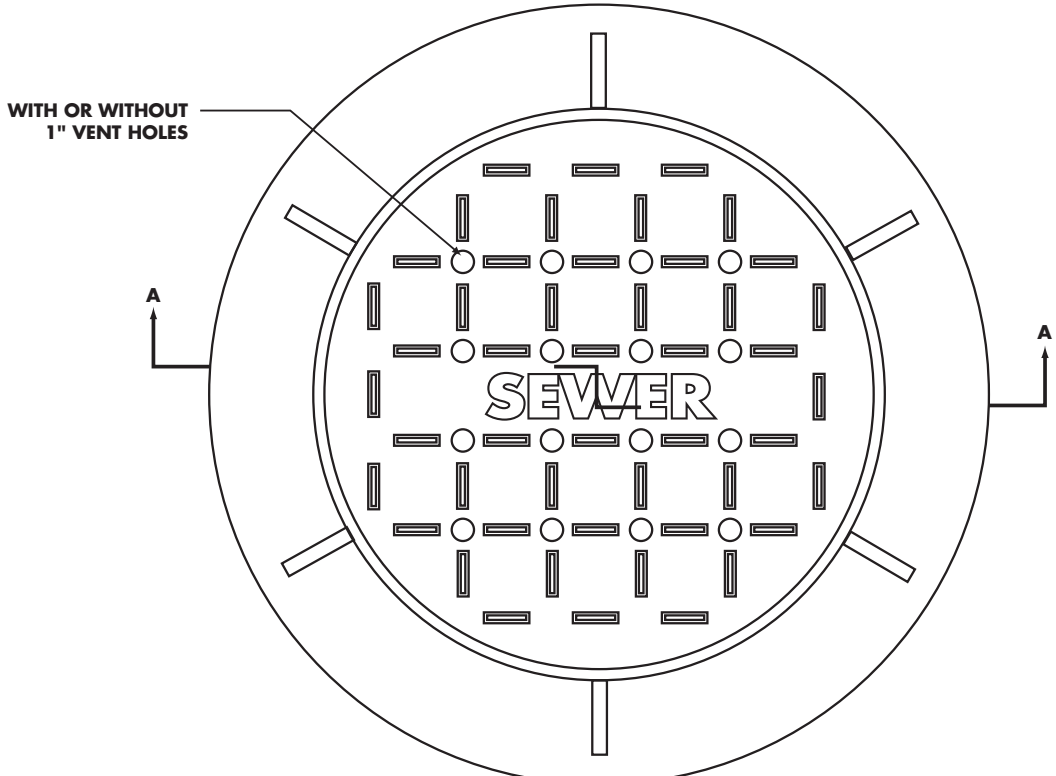


**MH40525CI**

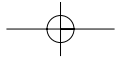
**APPROXIMATE WEIGHT**

**COVER 150 lb**  
**RING 217 lb**

**NOTES:**  
**NAMEPLATES—CAST AS PER REQUIRED**  
**MACHINING—LID & RING SEAT**  
**FINISH—BLACK BITUMINOUS PAINT**  
**LID—WITH OR WITHOUT VENT HOLES**

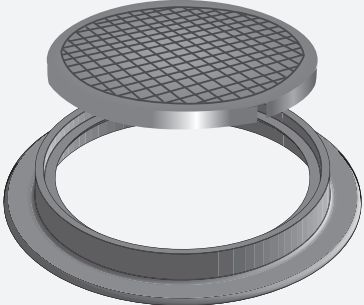






**CAST IRON REVERSABLE MANHOLE RING AND COVER**

**MH5050R C.I.**

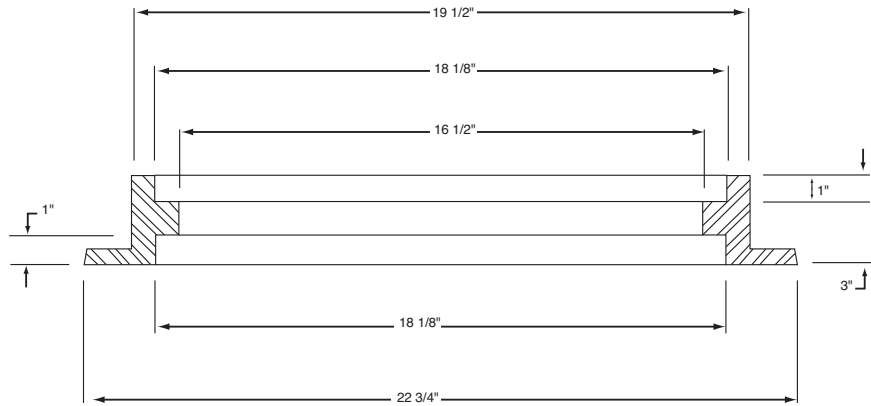
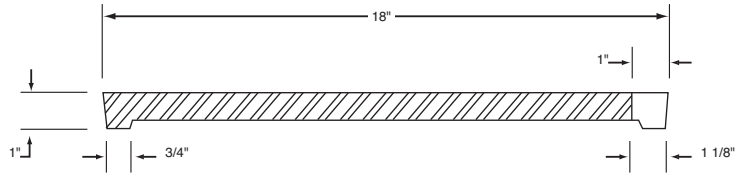


**MH5050RCI**

**APPROXIMATE WEIGHT**

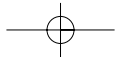
**COVER 50 lb**  
**RING 60 lb**

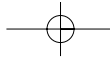
**NOTES:**  
**MACHINING—LID & RING SEAT**  
**FINISH—BLACK BITUMINOUS PAINT**  
**REVERSIBLE RING**



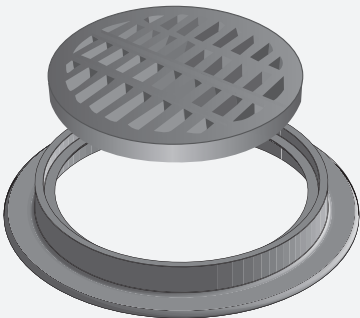
**CASTINGS INC.**

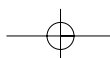
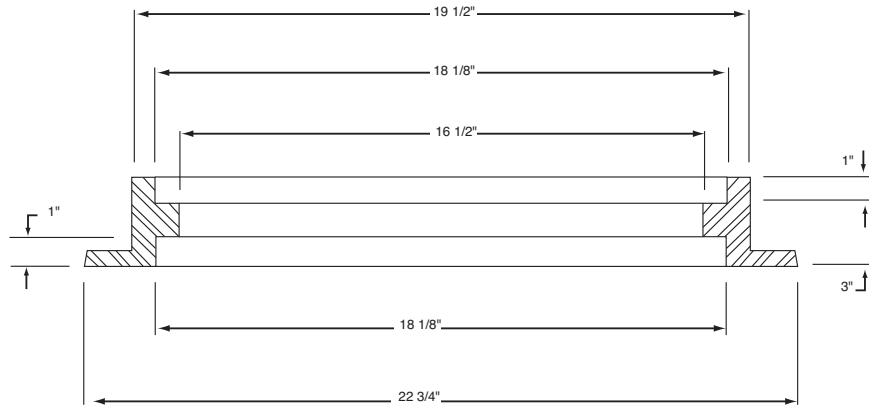
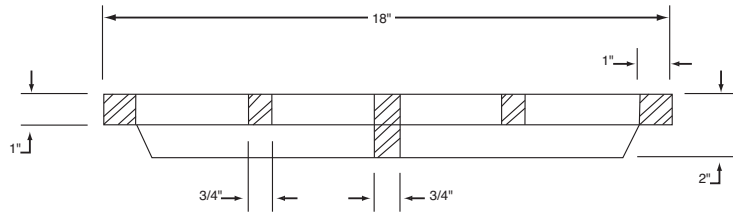
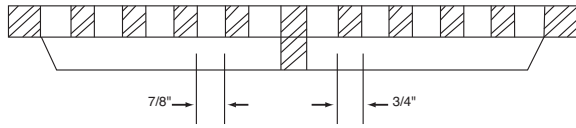
860 4TH AVE. • P.O. BOX 669 • GRAND JCT, CO 81502 • 970.243.2032 • FAX 970.242.4962





**CAST IRON REVERSABLE MANHOLE RING AND GRATE MH5050RG C.I.**

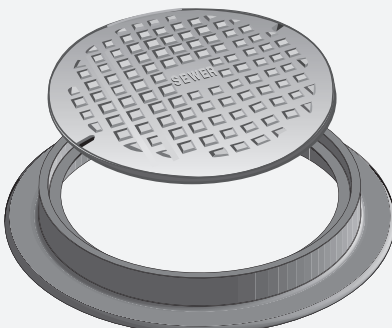
	<b>MH5050RGC1</b>
	<b>APPROXIMATE WEIGHT</b> <b>COVER 44 lb</b> <b>RING 60 lb</b>
<b>NOTES:</b> <b>MACHINING—LID &amp; RING SEAT</b> <b>FINISH—BLACK BITUMINOUS PAINT</b> <b>REVERSIBLE RING</b>	

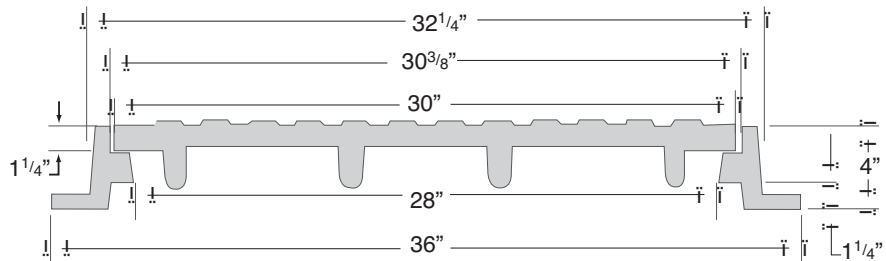
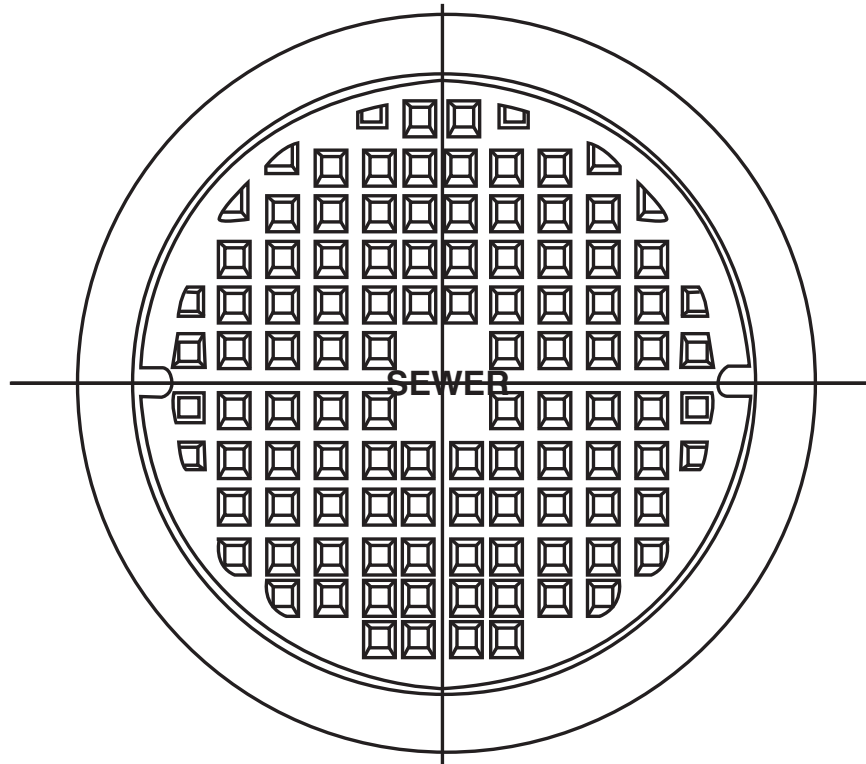


**CAST IRON**

**MANHOLE RING & SOLID COVER**

**MH-550-30-R-C.I.**

	<b>APPROXIMATE WEIGHT</b>	<b>MH55030RCI</b>	
	<b>NOTES</b>	<b>COVER 255 lb</b>	
		<b>RING 165 lb</b>	
	<b>FURNISHED WITH MACHINED HORIZONTAL BEARING SURFACES. MANHOLE RING IS REVERSIBLE AND MAY BE INSTALLED WITH FLANGE UP OR DOWN. FURNISHED STANDARD WITH LETTERING AS ILLUSTRATED, SPECIFY IF OTHER LETTERING IS REQUIRED. CLASS 35</b>		



**CASTINGS INC.** 860 4TH AVE. • P.O. BOX 669 • GRAND JCT, CO 81502 • 970.243.2032 • FAX 970.242.4962

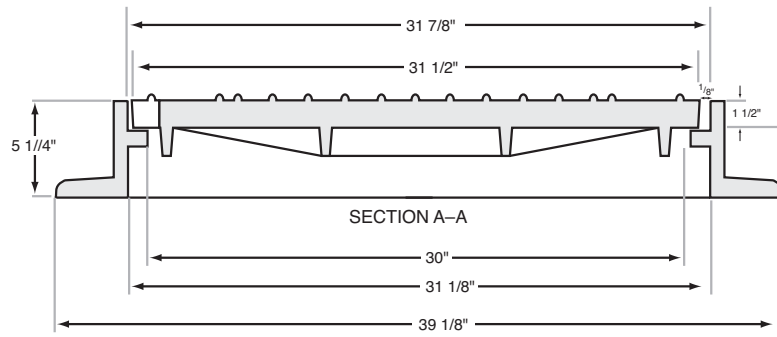
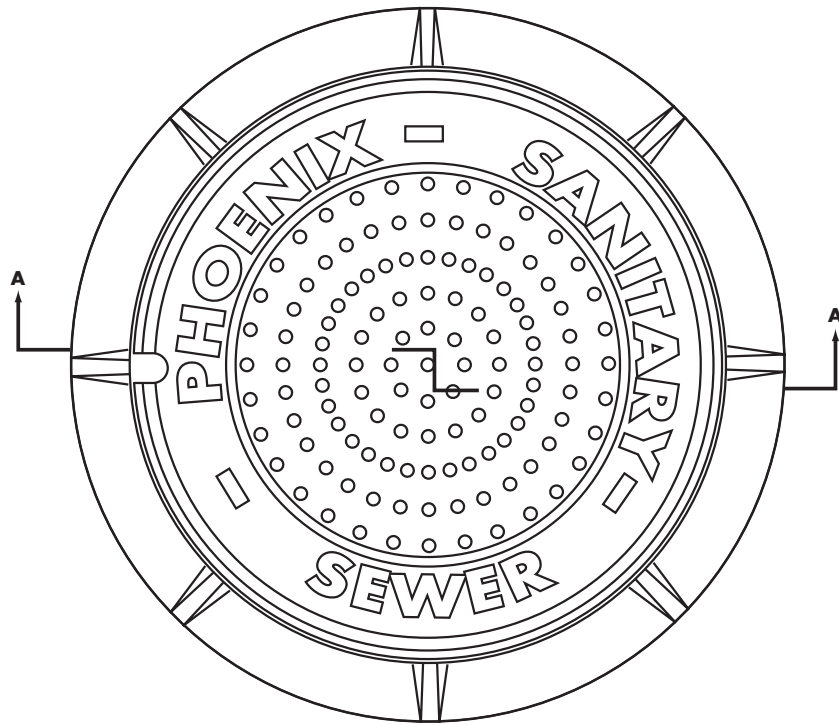
**CAST IRON MANHOLE RING AND COVER MH-550-31 C.I.**

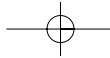
**MH55031CI**

**APPROXIMATE WEIGHT**

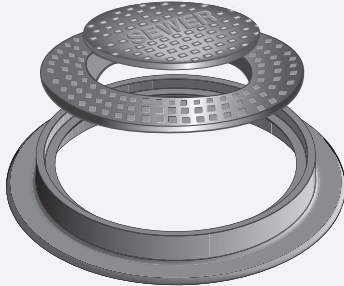
**COVER 305 lb**  
**RING 250 lb**

**NOTES:**  
**NAMEPLATES—CAST AS PER REQUIRED**  
**MACHINING—LID & RING SEAT**  
**FINISH—BLACK BITUMINOUS PAINT**  
**CLASS 35**





**CAST IRON MANHOLE RING AND COVER MH-700-36-24 C.I.**

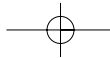
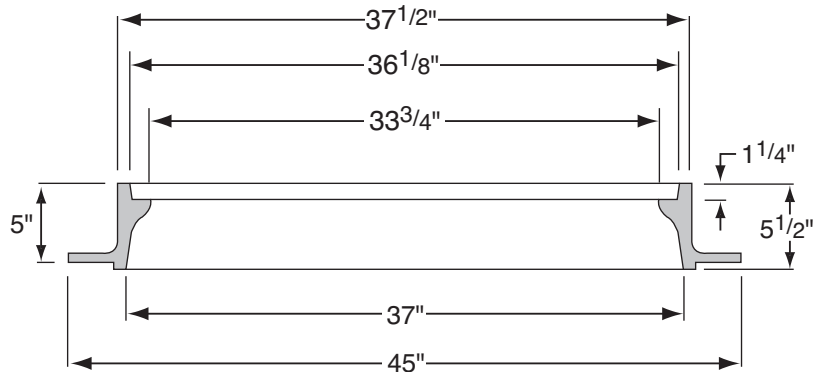
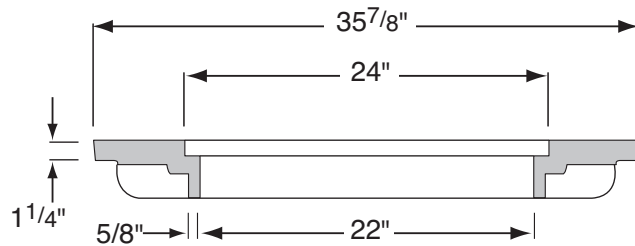
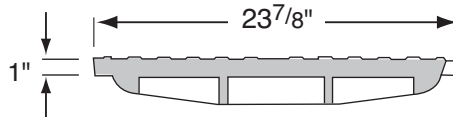


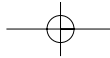
**MH7003624CI**

**APPROXIMATE WEIGHT**

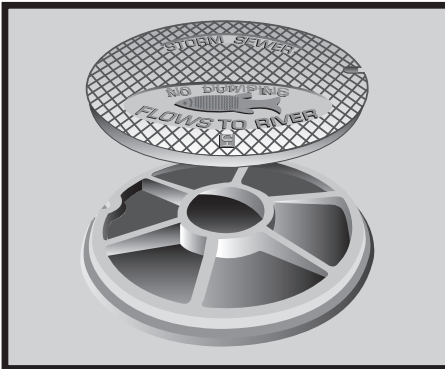
**555 lbs.**  
**Ring 225#**  
**36x24 225#**

**NOTES: 24" LID 105#**  
**NAMEPLATES—CAST AS PER REQUIRED**  
**MACHINING—LID & RING SEAT**  
**FINISH—BLACK BITUMINOUS PAINT**  
**AVAILABLE CLASS 35**





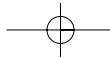
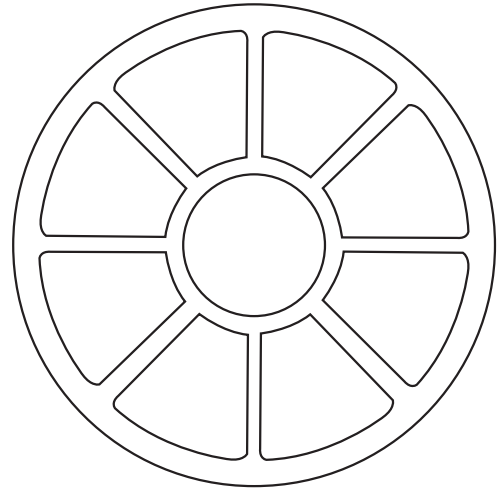
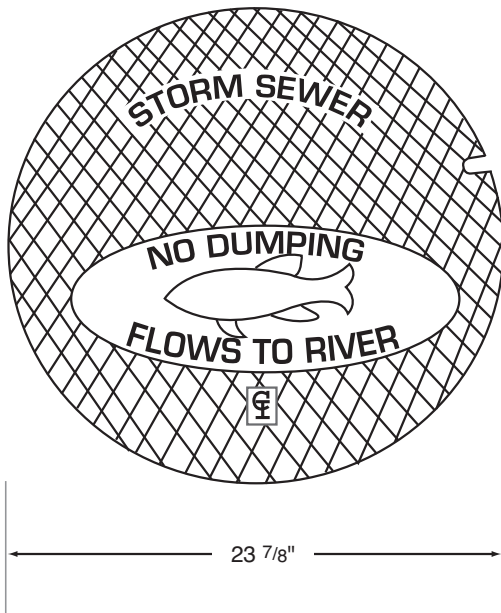
**CAST IRON** **NO DUMPING LID** **24-B-CI (FISH)**

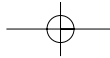


**24BCIFISH**

**APPROXIMATE WEIGHT**  
**120 lb**

**FINISH — PAINTED (OR) NON-PAINTED**  
**NOTE: ASTM A48 CLASS 30B OR 35B**  
**H20 AND H520 LOADINGS**





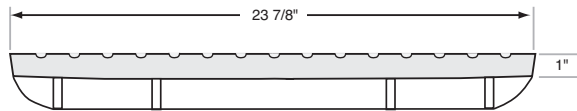
**CAST IRON RECESSED MANHOLE COVER C.I. 24 RECESSED**



**APPROXIMATE WEIGHT**

**COVER B 132 lb**

**NOTES:  
TAGGED WATER METER**

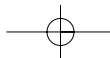


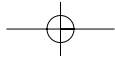
SECTION A-A



**CASTINGS INC.**

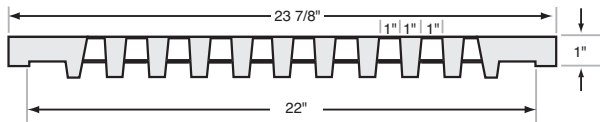
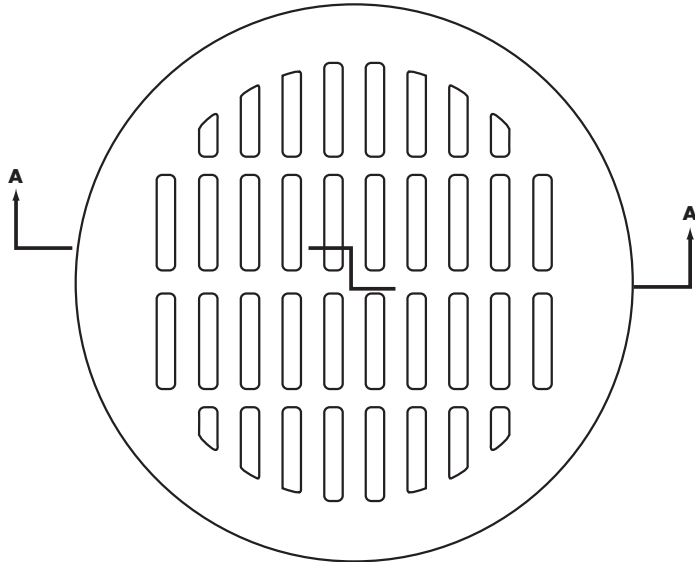
860 4TH AVE. • P.O. BOX 669 • GRAND JCT, CO 81502 • 970.243.2032 • FAX 970.242.4962



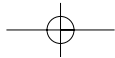


**CAST IRON MANHOLE COVER MH-24 STANDARD GRATE/BIKE PROOF C.I.**

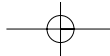
	<b>APPROXIMATE WEIGHT</b>	<b>MH24GBPCI</b>
	<b>COVER 105 lb</b>	
	<b>NOTES: MACHINING—LID FINISH—BLACK BITUMINOUS PAINT</b>	



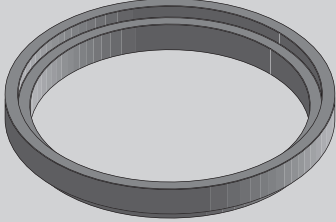
SECTION A-A







**CAST IRON MANHOLE EXTENSION RING ER C.I.**

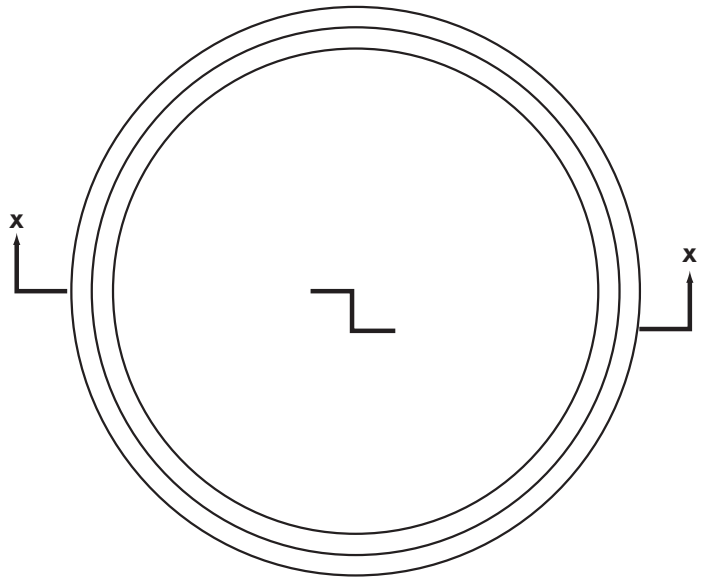


**MHERCI**

**APPROXIMATE WEIGHT—VARIES**

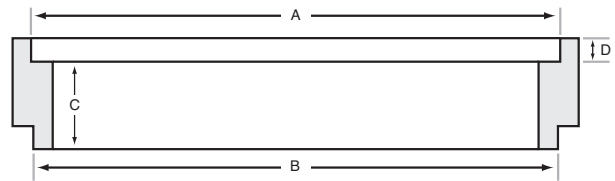
**CLASS 35**

**NOTES:**  
**SPECIAL SIZES AVAILABLE**  
**ANGULAR RINGS MADE UPON REQUEST**



**STANDARD SIZES**

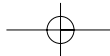
RISE (inches)	LID DIAM. (inches)	APPROX. WT (lbs)
1 1/2	23	40
2	23	60
1 1/4	24	40
1 1/2	24	45
2	24	58
2 1/2	24	70
3	24	72
4	24	81
6	24	106
2	28-28 1/2	72
1 1/2	30	55
2	30	70
2 1/2	30	86
3	30	104



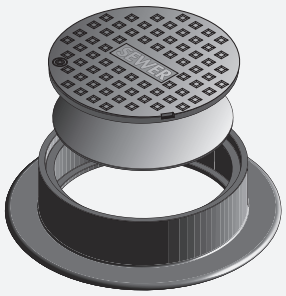
SECTION X-X

WHEN ORDERING SPECIAL SIZES, STATE THE FOLLOWING:

- A - LID OPENING DIAMETER
- B - LID DIAMETER
- C - EXTENSION RISE
- D - LID THICKNESS



**CAST IRON MANHOLE RING AND COVER MH-400-24 FROST PROOF C.I.**

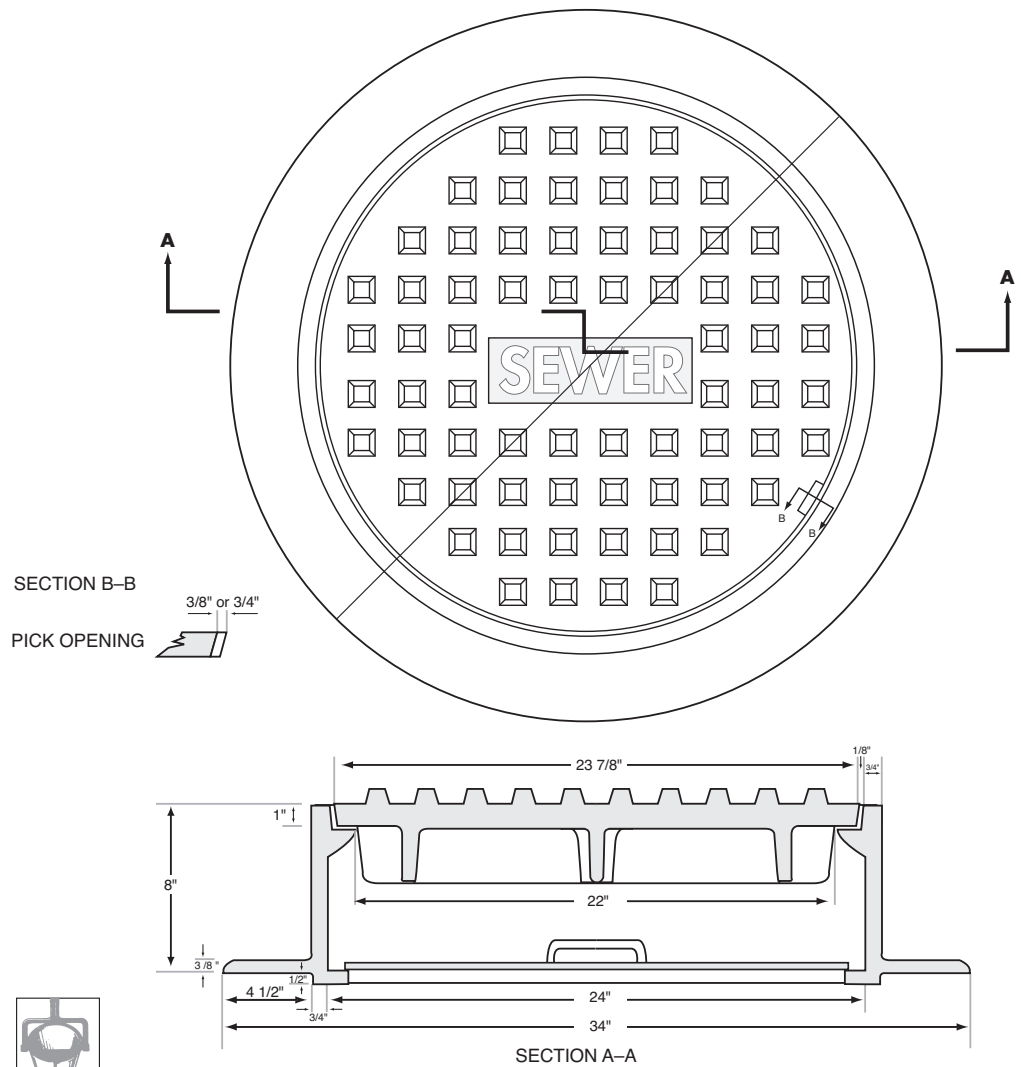


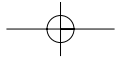
**MH40024FPCI**

**APPROXIMATE WEIGHT**

**COVER 134 lb**  
**RING 190 lb**  
**FROST LID 13 lb (aluminum)**  
**CLASS 35**

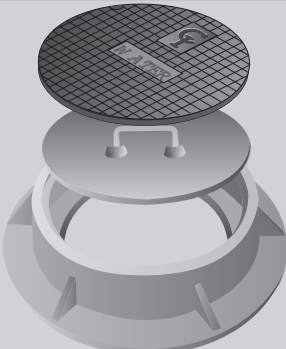
**NOTES:**  
**NAMEPLATES—CAST AS PER REQUIRED**  
**MACHINING—LID & RING SEAT**  
**FINISH—BLACK BITUMINOUS PAINT**  
**AVAILABLE BOLT AND GASKET**





**CAST IRON**

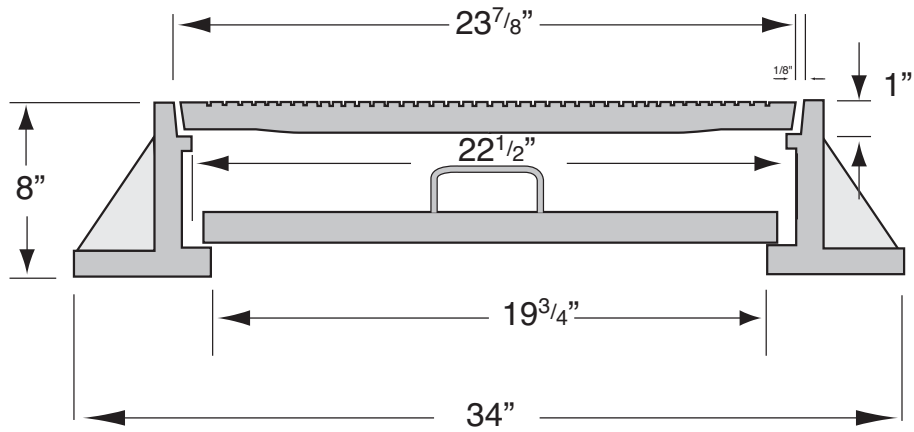
**MH-475-FP-CI**



**APPROXIMATE WEIGHT**

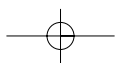
<b>RING AND COVER</b>	<b>412 LB</b>
<b>RING</b>	<b>221 LB</b>
<b>LID</b>	<b>134 LB</b>
<b>CAST IRON INNER</b>	<b>57 LB</b>
<b>ALUMINUM INNER</b>	<b>13 LB</b>
<b>CLASS 35</b>	

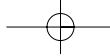
**NOTE:**  
**FINISH— AS REQUESTED**



**CASTINGS INC.**

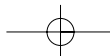
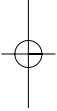
860 4TH AVE. • P.O. BOX 669 • GRAND JCT, CO 81502 • 970.243.2032 • FAX 970.242.4962

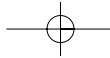




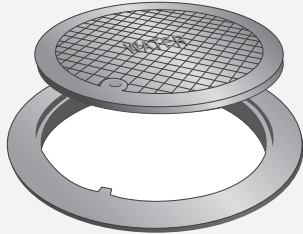
# **SECTION 9**

## **CAST IRON INVERTED MANHOLE RING AND COVERS**





**CAST IRON MANHOLE RING AND COVER IMH5016-IMH7522**



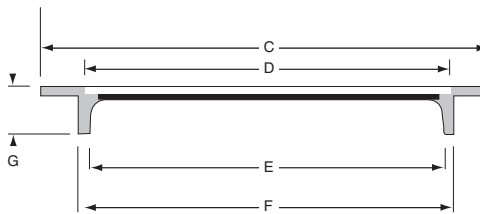
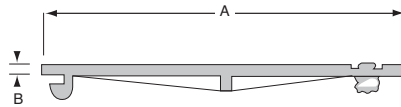
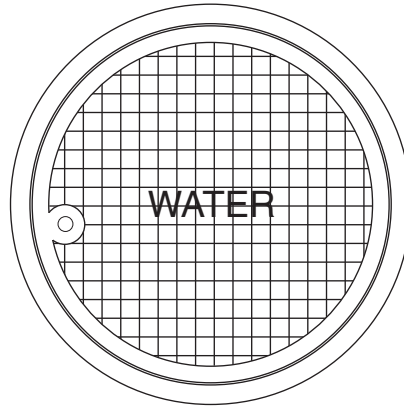
**APPROXIMATE WEIGHT**

**IMH 5016**  
**IMH 7522**

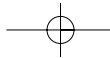
**NOTES: FINISH—BLACK BITUMINOUS PAINT**

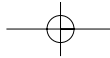
**OPTIONAL 2" HOLE**

**18" Ring - 37#**  
**Lid - 30#**  
**20" Ring - 43#**  
**Lid - 34#**

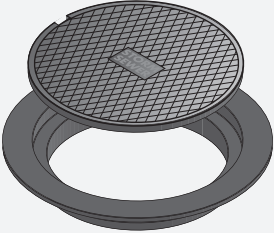


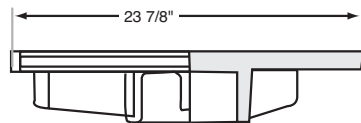
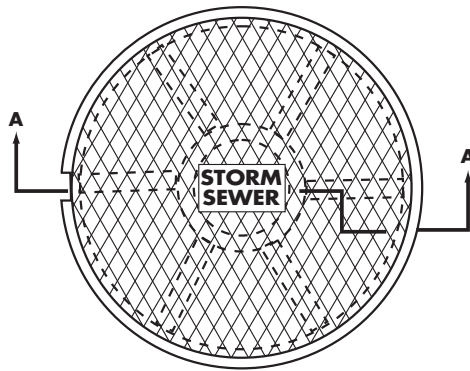
Catalog #	Dimensions in Inches						
	A	B	C	D	E	F	G
IMH5016	16-1/2"	1/2"	20-1/4"	16-5/8"	16-1/8"	17"	3"
IMH7522	18-1/2"	1/2"	22-1/2"	18-1/2"	18-1/8"	19-1/4"	3"



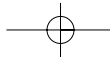
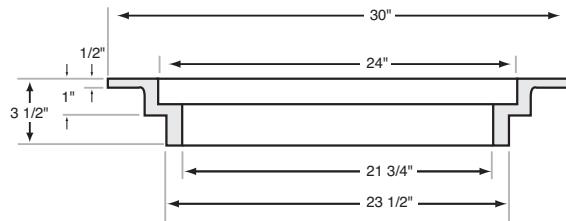


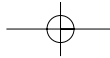
**CAST IRON MANHOLE RING AND COVER IMH-200 C.I.**

	<b>IMH200CI</b>
	<b>APPROXIMATE WEIGHT</b> <b>COVER C 97 lb</b> <b>COVER D 120 lb</b> <b>RING 72 lb</b>
<b>CLASS 35</b> <b>NOTES:</b> <b>NAMEPLATES—CAST AS PER REQUIRED</b> <b>MACHINING—LID &amp; RING SEAT</b> <b>FINISH—BLACK BITUMINOUS PAINT</b>	



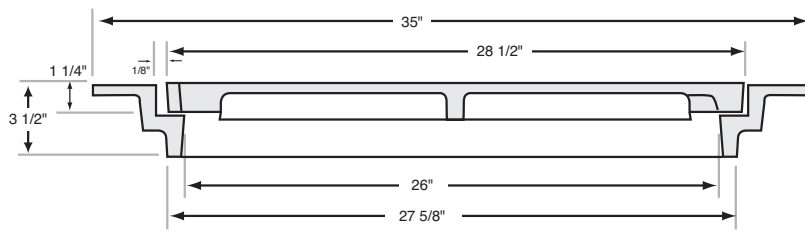
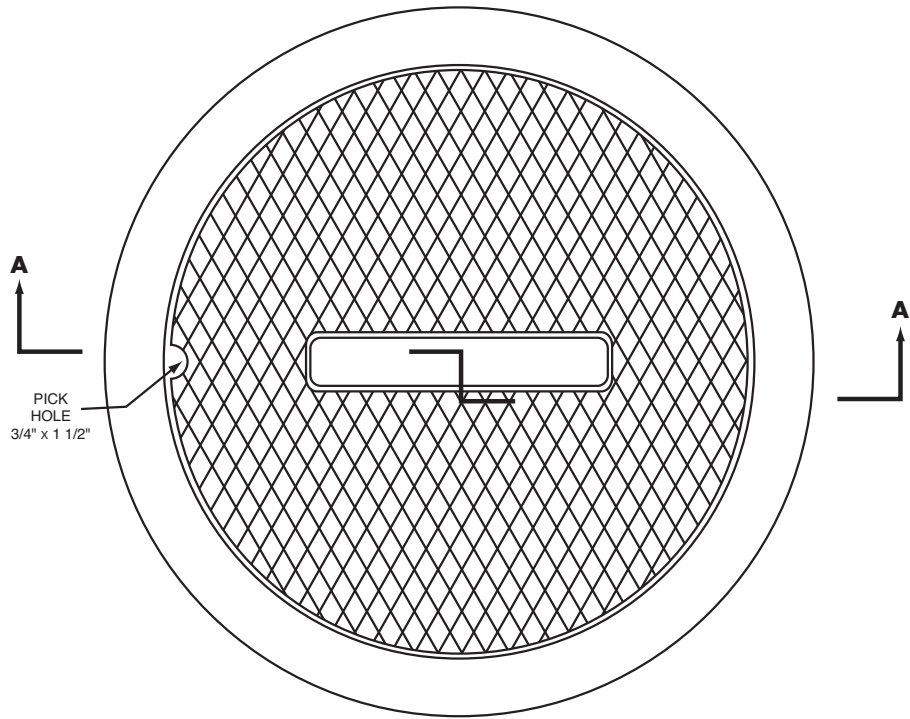
SECTION A-A



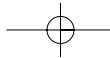


**CAST IRON**                      **MANHOLE RING AND COVER**                      **IMH-225-28 C.I.**

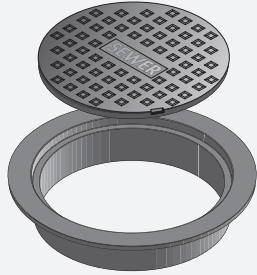
	<b>APPROXIMATE WEIGHT</b>	<b>IMH22528CI</b>
	<b>COVER</b> <b>157 lb</b> <b>RING</b> <b>90 lb</b>	
<b>NOTES:</b> <b>NAMEPLATES—CAST AS PER REQUIRED</b> <b>MACHINING—LID &amp; RING SEAT</b> <b>FINISH—BLACK BITUMINOUS PAINT</b>		



SECTION A-A



**CAST IRON MANHOLE RING AND COVER IMH-250-24 C.I.**

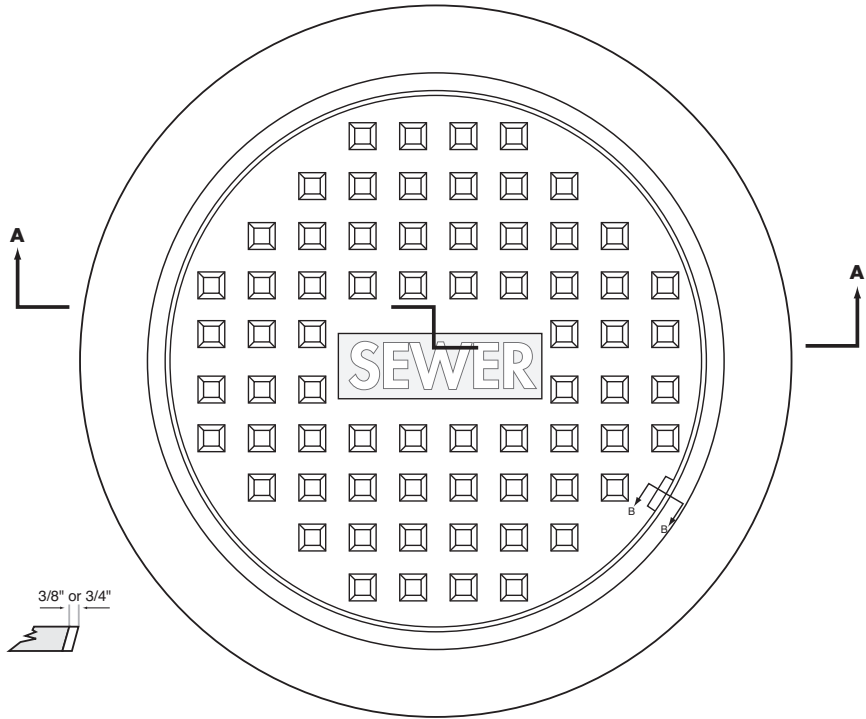


**IMH25024CI**

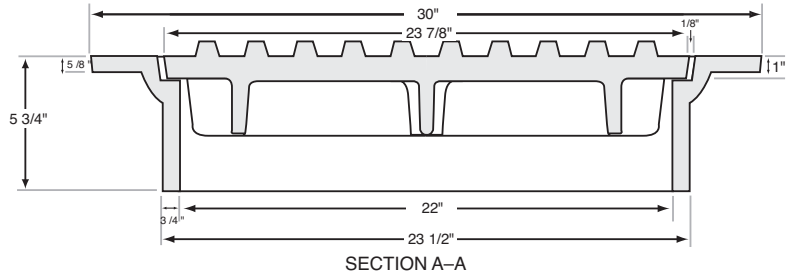
**APPROXIMATE WEIGHT**

**COVER B 134 lb**  
**COVER D 120 lb**  
**RING 115 lb**

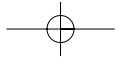
**CLASS 35**  
**NOTES:**  
**NAMEPLATES—CAST AS PER REQUIRED**  
**MACHINING—LID & RING SEAT**  
**FINISH—BLACK BITUMINOUS PAINT**



SECTION B-B  
 PICK OPENING  $\frac{3}{8}$ " or  $\frac{3}{4}$ "



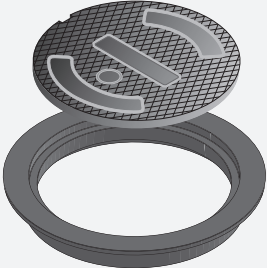




**CAST IRON**

**MANHOLE RING AND COVER**

**IMH-310-24-R C.I.**



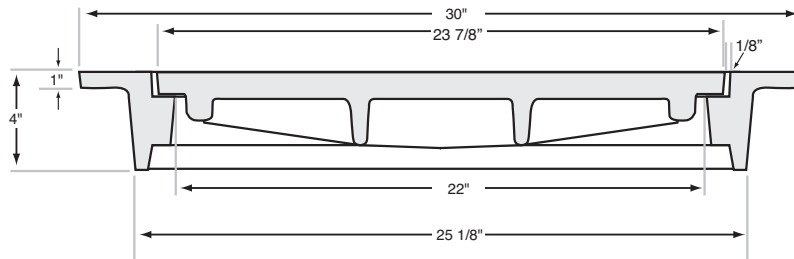
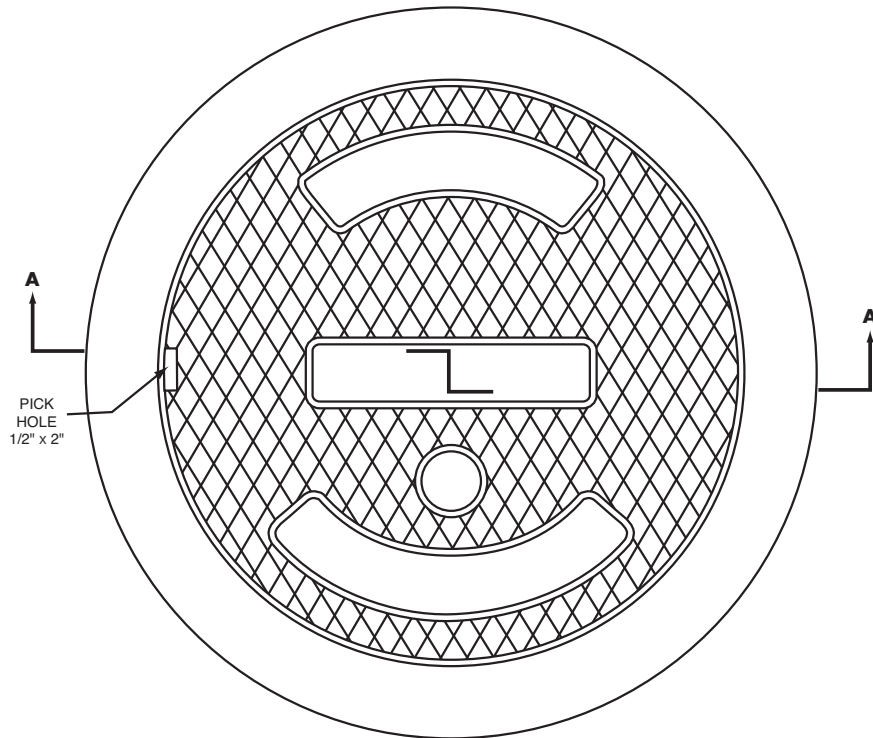
**MH31024RCI**

**APPROXIMATE WEIGHT**

**COVER 136 lb**  
**RING 184 lb**

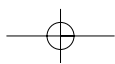
**CLASS 35**

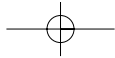
**NOTES:**  
**NAMEPLATES—CAST AS PER REQUIRED**  
**MACHINING—LID & RING SEAT**  
**FINISH—BLACK BITUMINOUS PAINT**



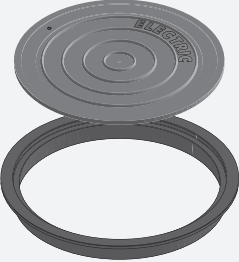
**CASTINGS INC.**

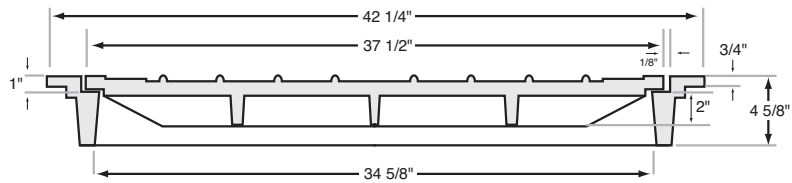
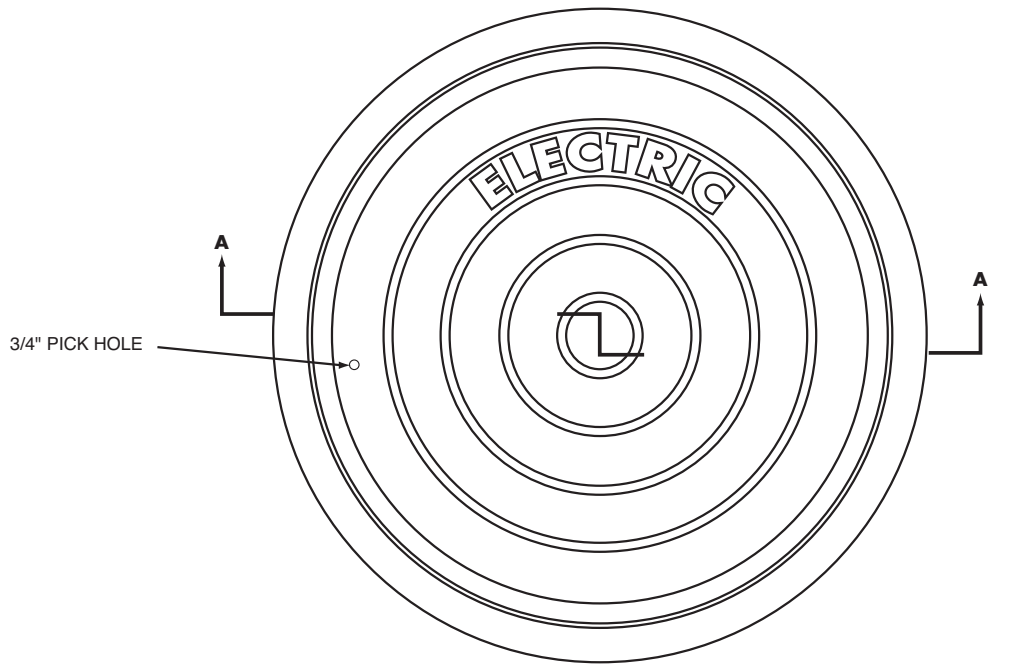
860 4TH AVE. • P.O. BOX 669 • GRAND JCT, CO 81502 • 970.243.2032 • FAX 970.242.4962



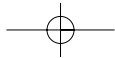


**CAST IRON** **MANHOLE RING AND COVER** **IMH-530-38 C.I.**


	<b>APPROXIMATE WEIGHT</b>	<b>IMH53038CI</b>
	<b>COVER 265 lb</b> <b>RING 180 lb</b>	
<b>NOTES:</b> <b>NAMEPLATES—CAST AS PER REQUIRED</b> <b>MACHINING—LID &amp; RING SEAT</b> <b>FINISH—BLACK BITUMINOUS PAINT</b>		

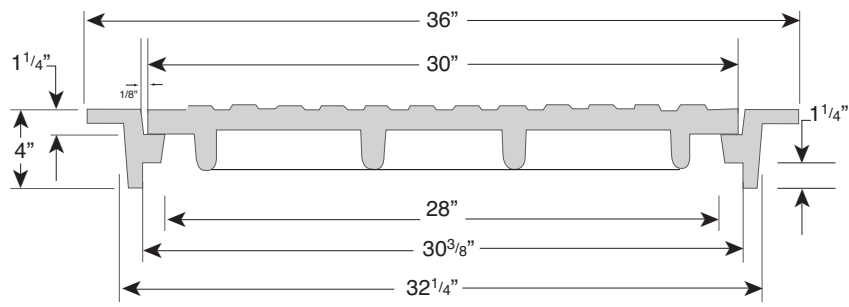
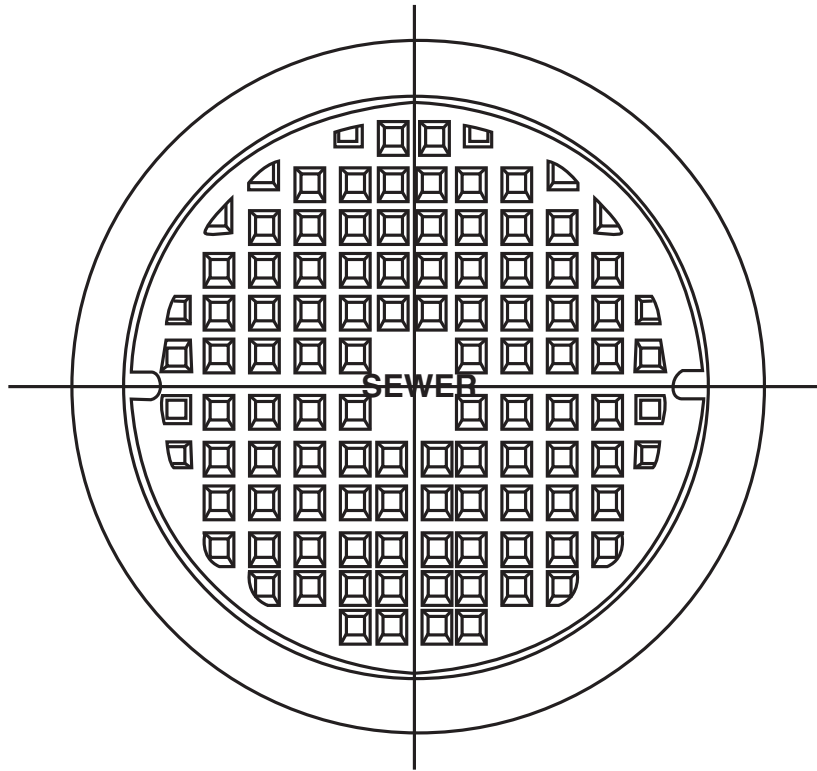


SECTION A-A

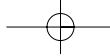


**CAST IRON MANHOLE RING & SOLID COVER IMH-550-30-R-C.I.**

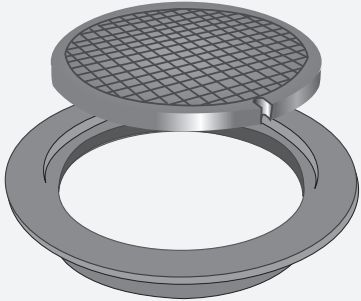
	<b>APPROXIMATE WEIGHT</b>	<b>IMH55030RCI</b>
	<b>NOTES</b> COVER 237 lb RING 164 lb <b>FURNISHED WITH MACHINED HORIZONTAL BEARING SURFACES.</b> <b>MANHOLE RING IS REVERSIBLE AND MAY BE INSTALLED WITH FLANGE UP OR DOWN.</b> <b>FURNISHED STANDARD WITH LETTERING AS ILLUSTRATED, SPECIFY IF OTHER LETTERING IS REQUIRED.</b>	

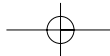
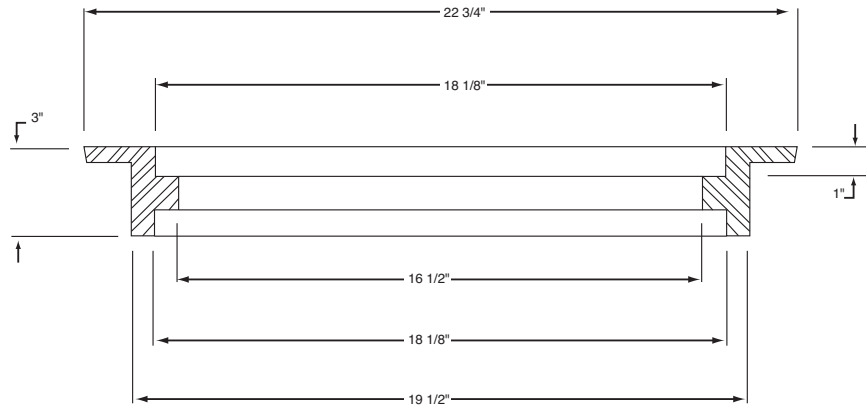
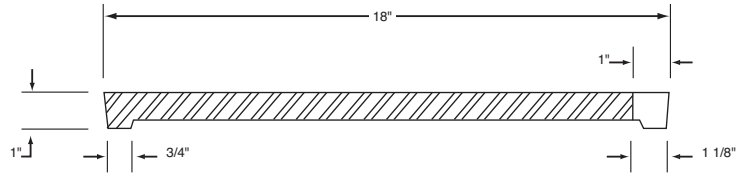


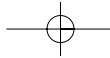
**CASTINGS INC.** 860 4TH AVE. • P.O. BOX 669 • GRAND JCT, CO 81502 • 970.243.2032 • FAX 970.242.4962



**CAST IRON REVERSABLE MANHOLE RING AND COVER IMH5050R C.I.**

	<b>APPROXIMATE WEIGHT</b>	<b>IMH5050RCI</b>
	<b>COVER</b> 50 lb <b>RING</b> 60 lb	
<b>NOTES:</b> MACHINING—LID & RING SEAT FINISH—BLACK BITUMINOUS PAINT REVERSIBLE RING		

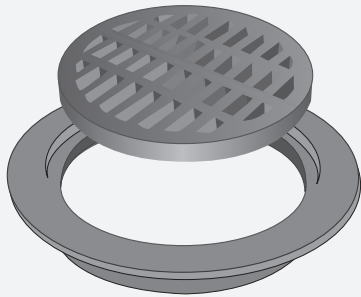




**CAST IRON**

**REVERSABLE MANHOLE RING AND GRATE**

**IMH5050RG C.I.**



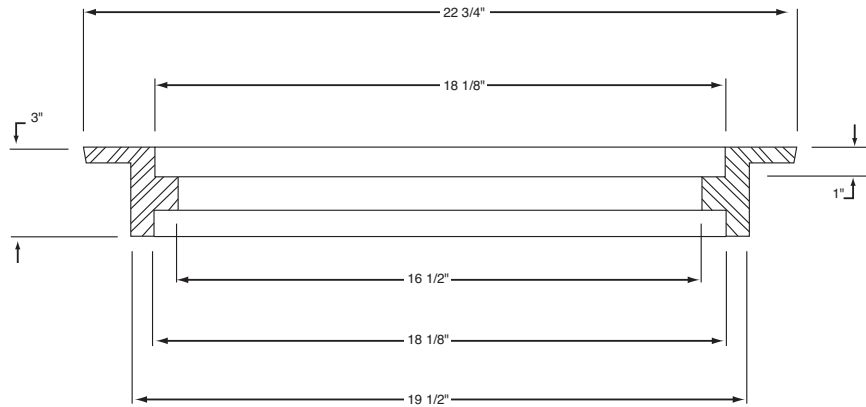
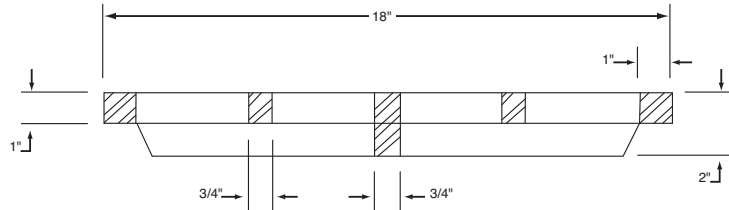
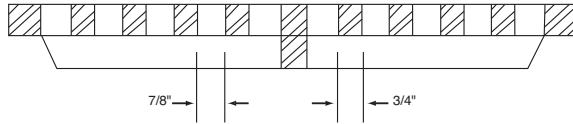
**IMH5050RGC1**

**APPROXIMATE WEIGHT**

**COVER 44 lb**

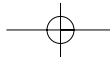
**RING 60 lb**

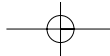
**NOTES:**  
**MACHINING—LID & RING SEAT**  
**FINISH—BLACK BITUMINOUS PAINT**  
**REVERSIBLE RING**



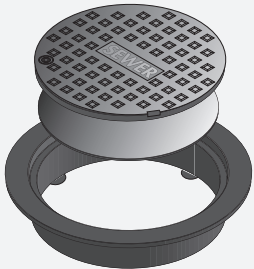
**CASTINGS INC.**

860 4TH AVE. • P.O. BOX 669 • GRAND JCT, CO 81502 • 970.243.2032 • FAX 970.242.4962





**CAST IRON MANHOLE RING AND COVER IMH-250-24 FROST PROOF C.I.**

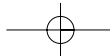
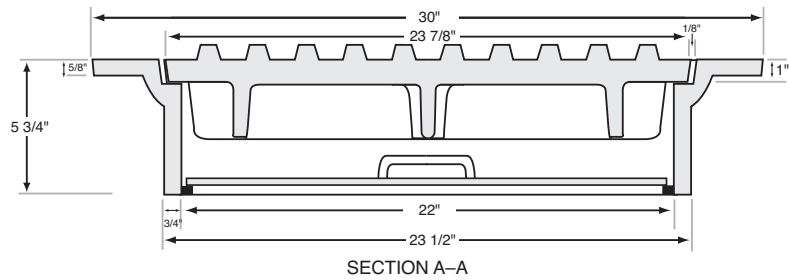
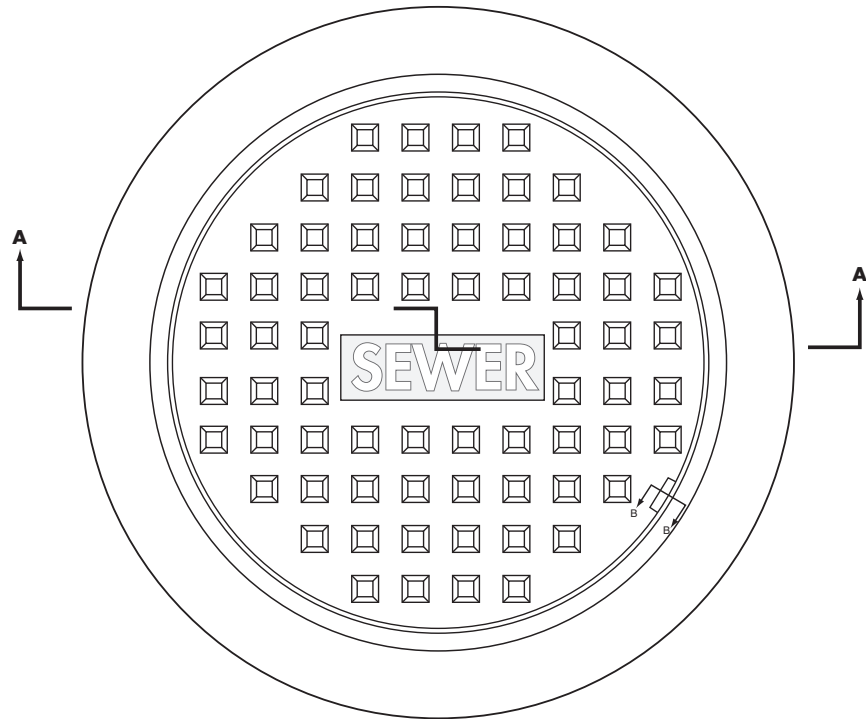


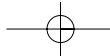
**IMH25024CIFP**

**APPROXIMATE WEIGHT**

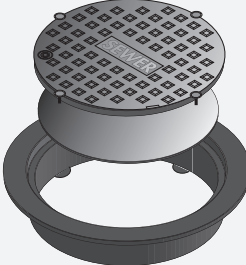
**COVER B 134 lb**  
**COVER D 120 lb**  
**RING 115 lb**  
**INNER LID 13 lb (aluminum)**

**NOTES:**  
**NAMEPLATES—CAST AS PER REQUIRED**  
**MACHINING—LID & RING SEAT**  
**FINISH—BLACK BITUMINOUS PAINT**





**CAST IRON MANHOLE RING AND COVER IMH-250-24 FROST PROOF/BOLT DOWN C.I.**

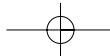
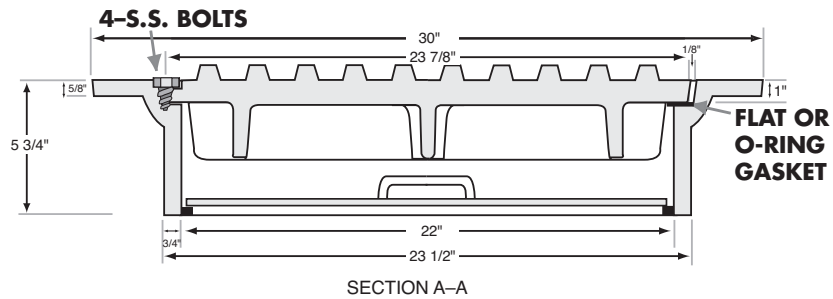
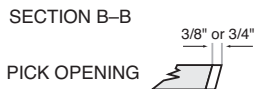
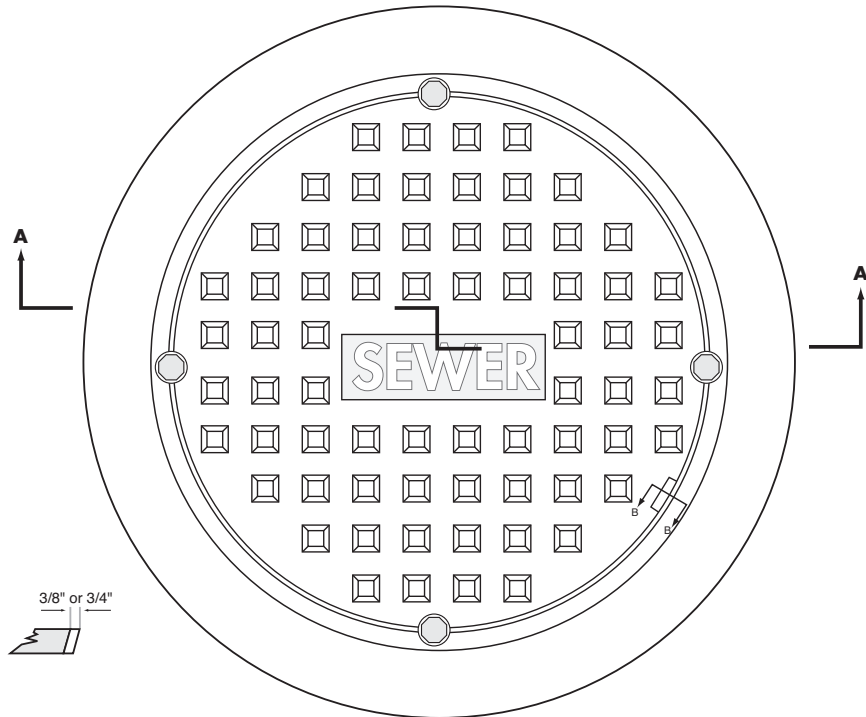


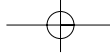
**IMH25024CIFPB**

**APPROXIMATE WEIGHT**

**COVER B 134 lb**  
**COVER D 120 lb**  
**RING 115 lb**  
**FROST LID 13 lb (aluminum)**  
**CLASS 35**

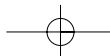
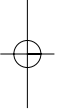
**NOTES:**  
**NAMEPLATES—CAST AS PER REQUIRED**  
**MACHINING—LID & RING SEAT**  
**FINISH—BLACK BITUMINOUS PAINT**





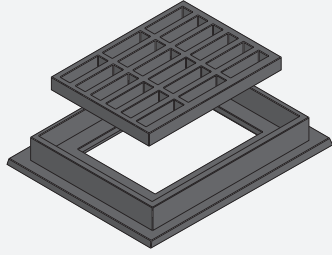
# **SECTION 10**

## **CAST IRON INLET FRAMES AND GRATES, TREE GRATES**





**CAST IRON INLET FRAME & GRATE IFG-1927 C.I.**

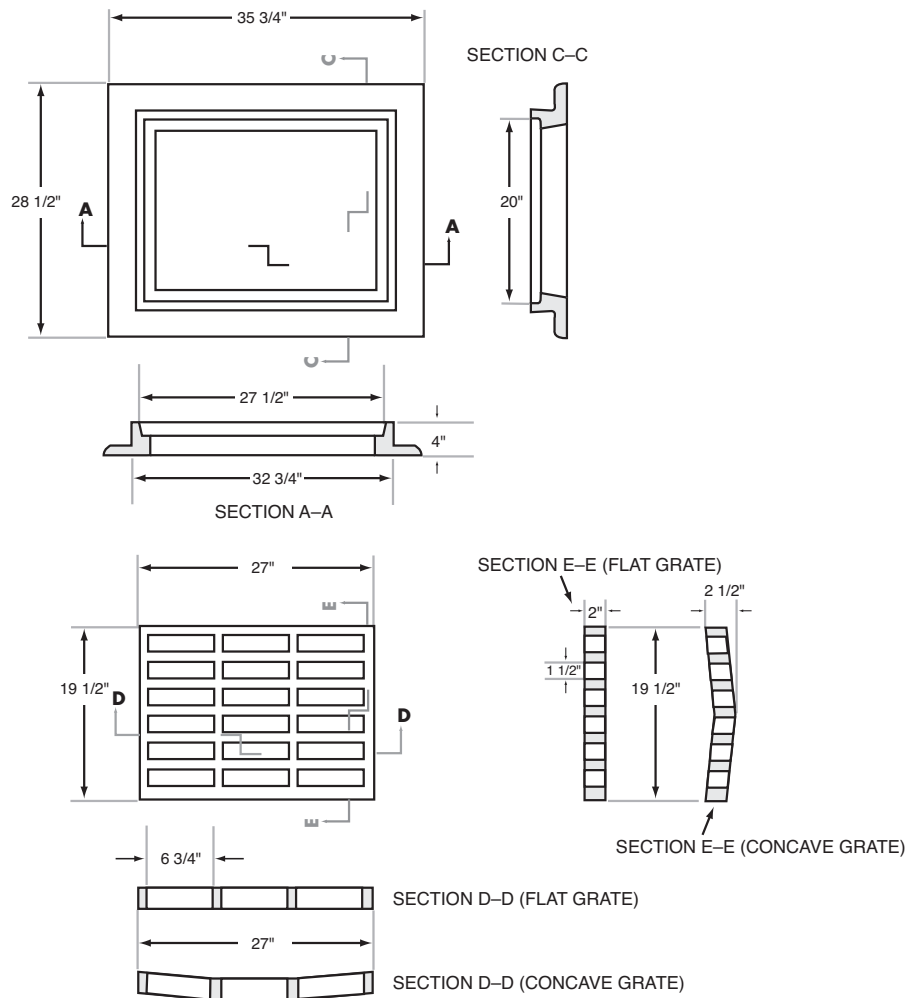


**IFG1927CI**

**APPROXIMATE WEIGHT**

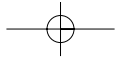
<b>FRAME</b>	<b>190 lb</b>
<b>GRATE FLAT</b>	<b>169 lb</b>
<b>GRATE CONCAVE</b>	<b>182 lb</b>

**NOTE:**  
**FINISH—BLACK BITUMINOUS PAINT**

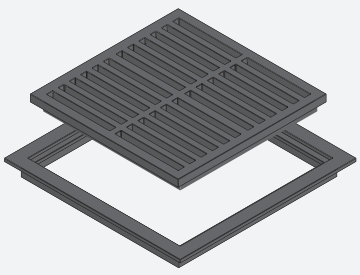


**CASTINGS INC.**

860 4TH AVE. • P.O. BOX 669 • GRAND JCT, CO 81502 • 970.243.2032 • FAX 970.242.4962



**CAST IRON** **INLET FRAME & GRATE 24" x 24"** **IFG-2424-R C.I.**

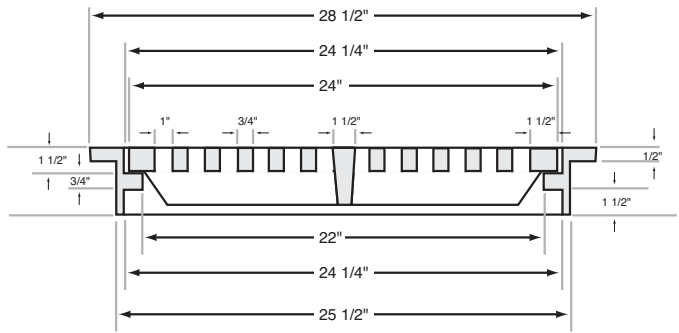
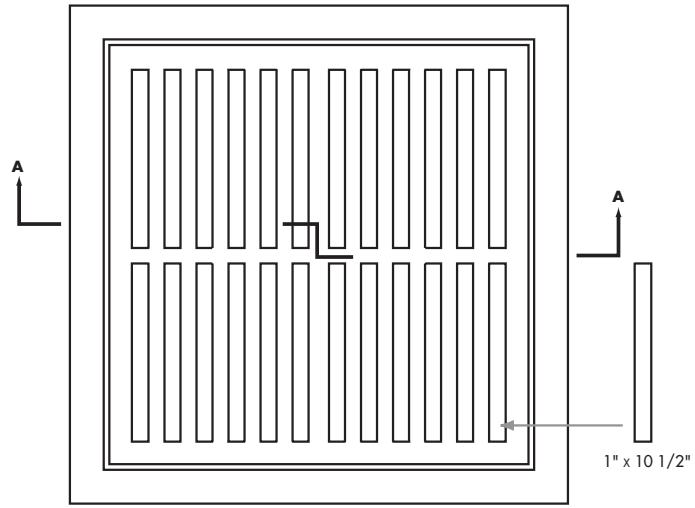


**IFG2424RCI**

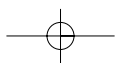
**APPROXIMATE WEIGHT**

<b>FRAME</b>	<b>105 lb</b>
<b>GRATE</b>	<b>130 lb</b>

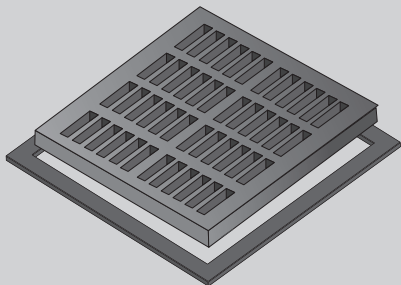
**NOTE:**  
**FINISH—BLACK BITUMINOUS PAINT**  
**REVERSIBLE FRAME**



SECTION A-A



**CAST IRON BIKE PROOF GRATE AND FRAME IFG-2424-R-BP C.I.**

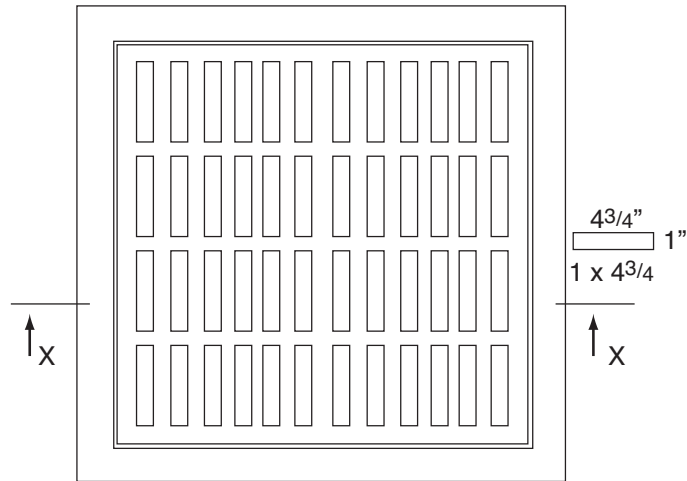


**IFG2424RBPCI**

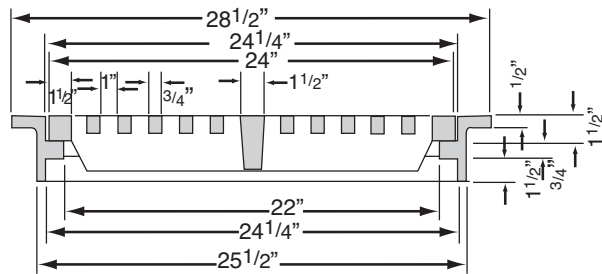
**APPROXIMATE WEIGHT**

<b>FRAME</b>	<b>105 lb</b>
<b>GRATE</b>	<b>132 lb</b>

**NOTE:**  
**REVERSABLE FOR SLAB TYPE CONSRUCTION**



PLAN



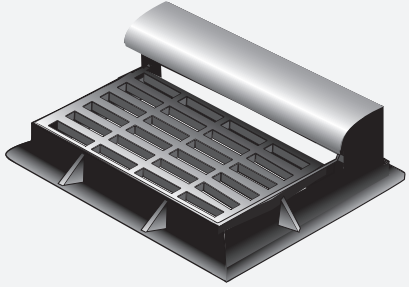
SECTION-XX



**CASTINGS INC.**

860 4TH AVE. • P.O. BOX 669 • GRAND JCT, CO 81502 • 970.243.2032 • FAX 970.242.4962

**CAST IRON INLET FRAME & GRATE IFG-3246-R C.I.**

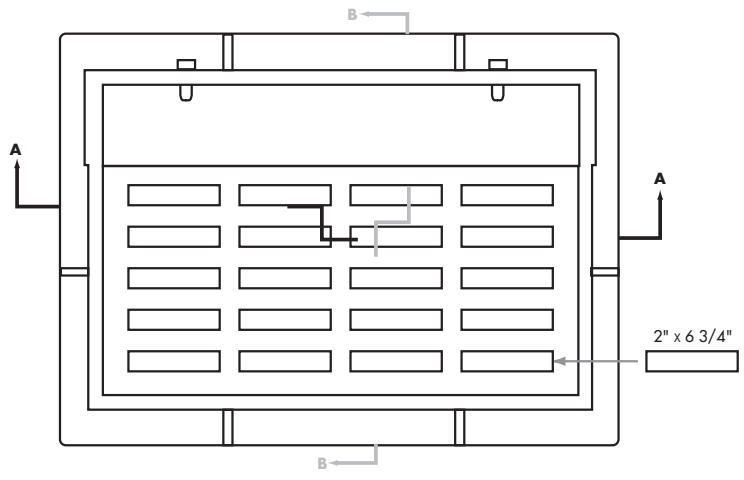


**IFG3246RCI**

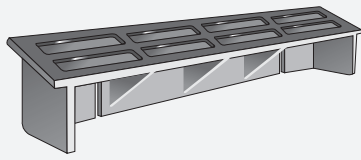
**APPROXIMATE WEIGHT**

<b>FRAME</b>	<b>200 lb</b>
<b>GRATE</b>	<b>173 lb</b>
<b>CURB BOX</b>	<b>82 lb</b>
<b>DRIVE OVER CURB BOX</b>	<b>116 lb</b>

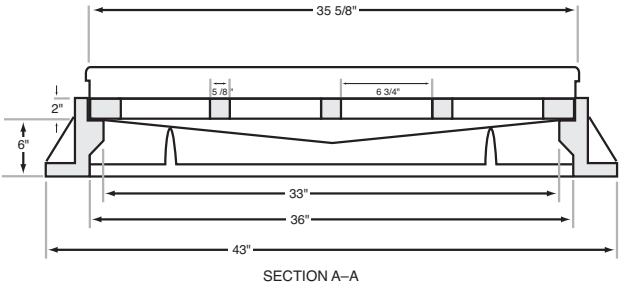
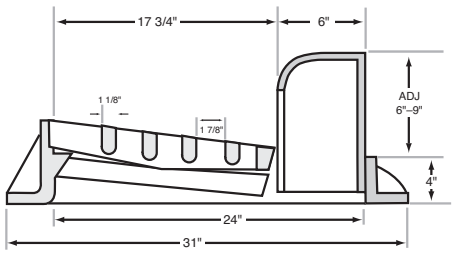
**NOTE:**  
**FINISH—BLACK BITUMINOUS PAINT**



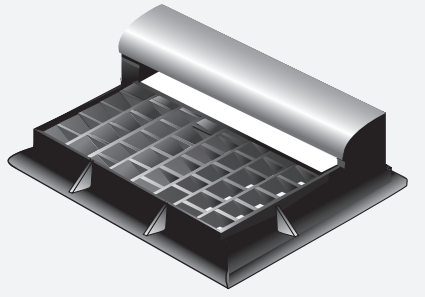
**Optional Drive Over Curb Box**



Item: IFG3246RDOCI



**CAST IRON INLET FRAME & GRATE WITH CURB BOX IFG-3246-L C.I.**

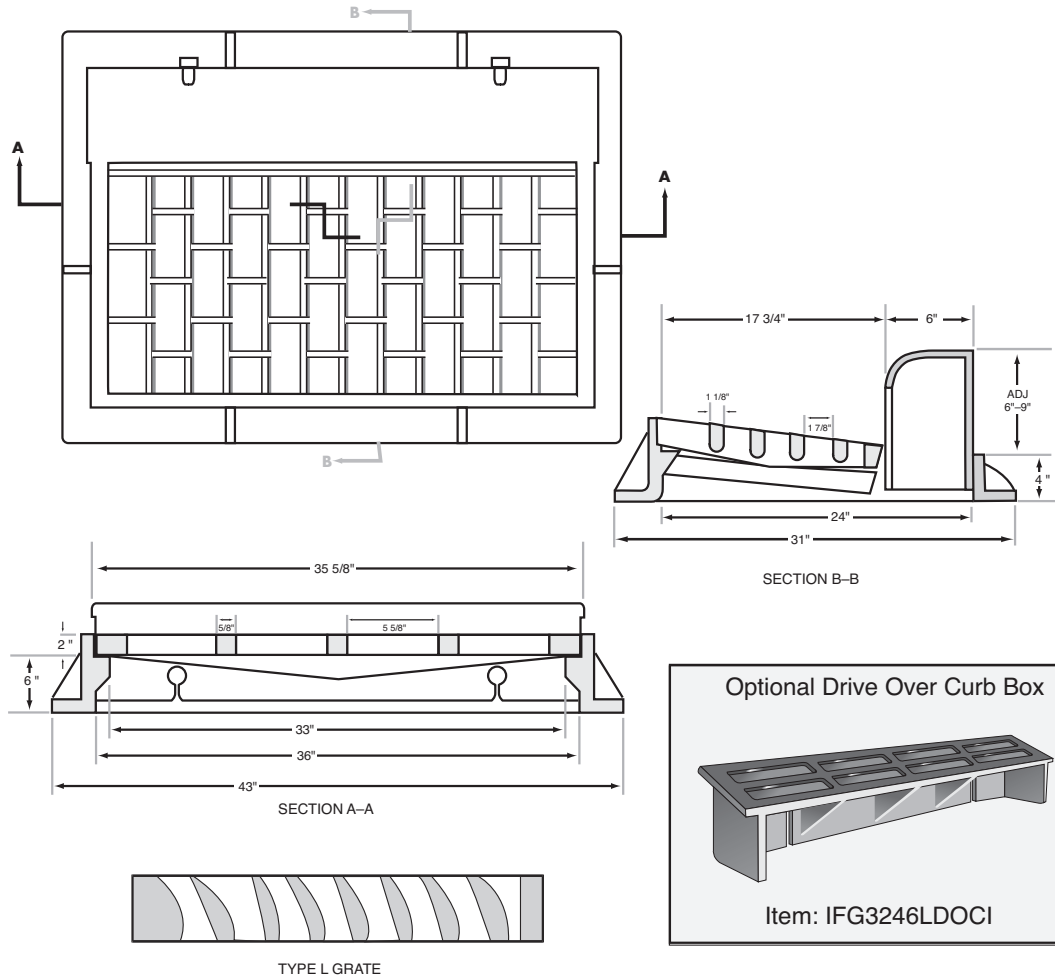


**IFG3246LCI**

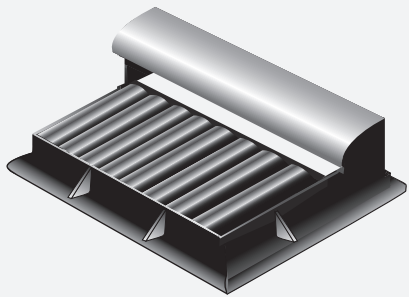
**APPROXIMATE WEIGHT**

<b>FRAME</b>	<b>200 lb</b>
<b>GRATE</b>	<b>164 lb</b>
<b>CURB BOX</b>	<b>82 lb</b>

**NOTE:**  
**FINISH—BLACK BITUMINOUS PAINT**



**CAST IRON INLET FRAME & GRATE WITH CURB BOX IFG-3246-V C.I.**

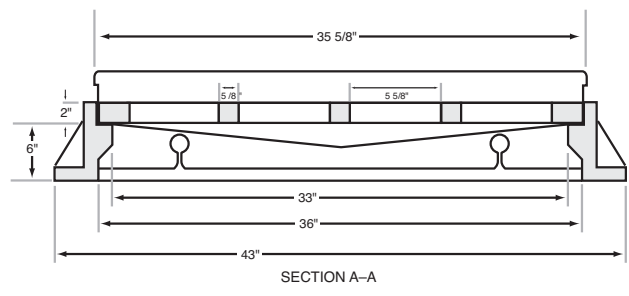
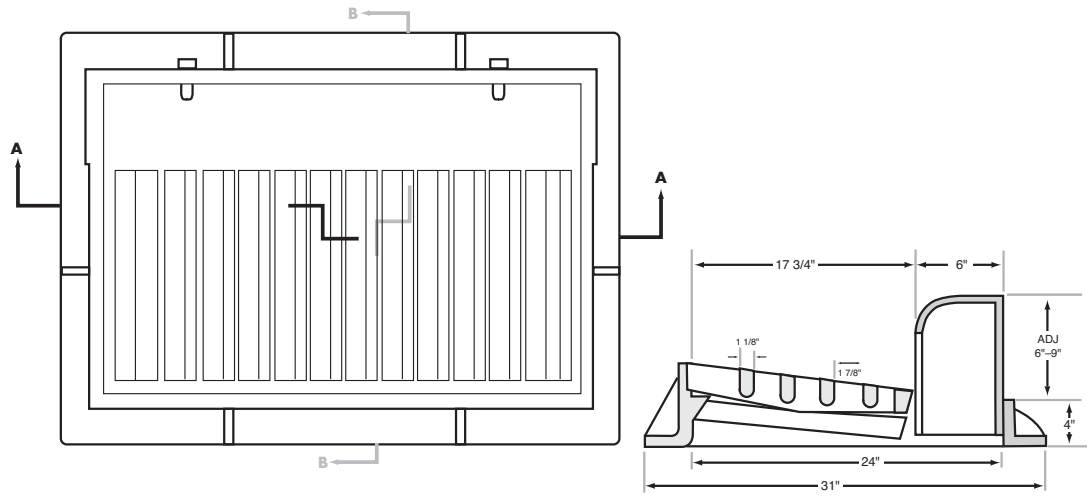


**IFG3246VCI**

**APPROXIMATE WEIGHT**

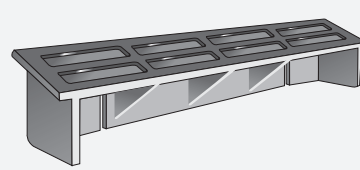
<b>FRAME</b>	<b>200 lb</b>
<b>GRATE</b>	<b>152 lb</b>
<b>CURB BOX</b>	<b>82 lb</b>

**NOTE:**  
**FINISH—BLACK BITUMINOUS PAINT**



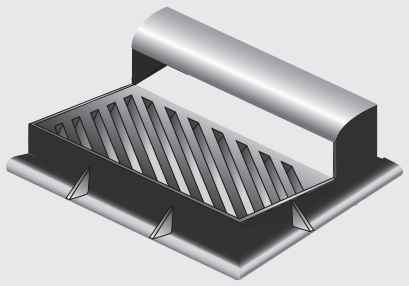
TYPE V GRATE  
VANE GRATE

Optional Drive Over Curb Box



Item: IFG3246VDOCI

**CAST IRON INLET GRATE/FRAME & HOOD IFG-3246-D C.I.**

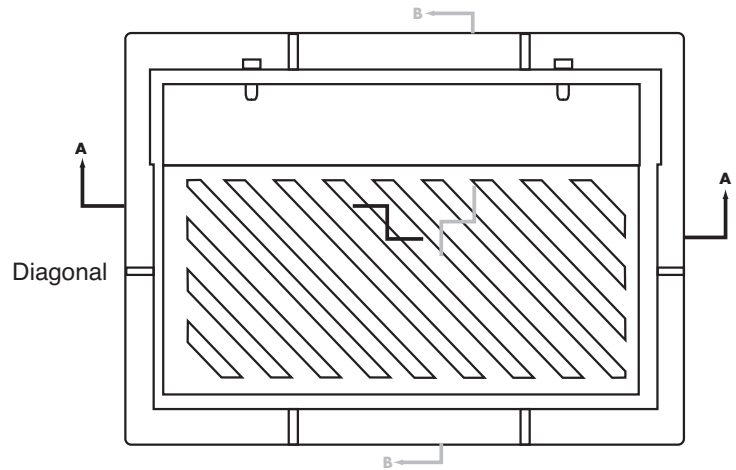


**IFG3246DCI**

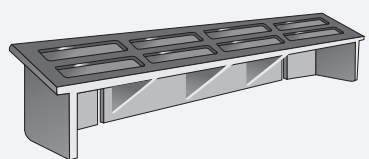
**APPROXIMATE WEIGHT**

<b>FRAME</b>	<b>200 lb</b>
<b>GRATE</b>	<b>173 lb</b>
<b>CURB BOX</b>	<b>82 lb</b>

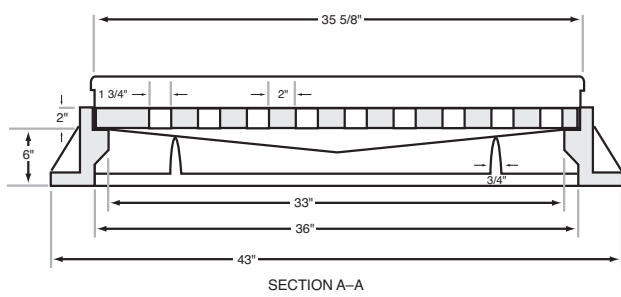
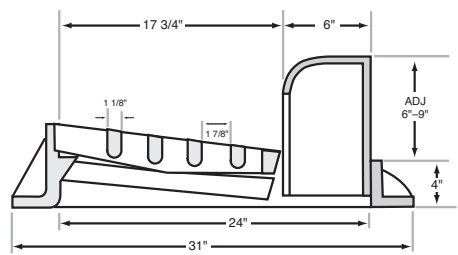
**NOTE:**  
**FINISH—BLACK BITUMINOUS PAINT**

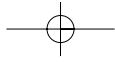


Optional Drive Over Curb Box

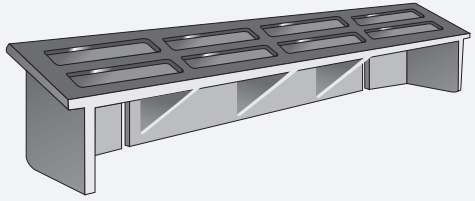


Item: IFG3246DDOCI





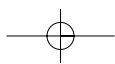
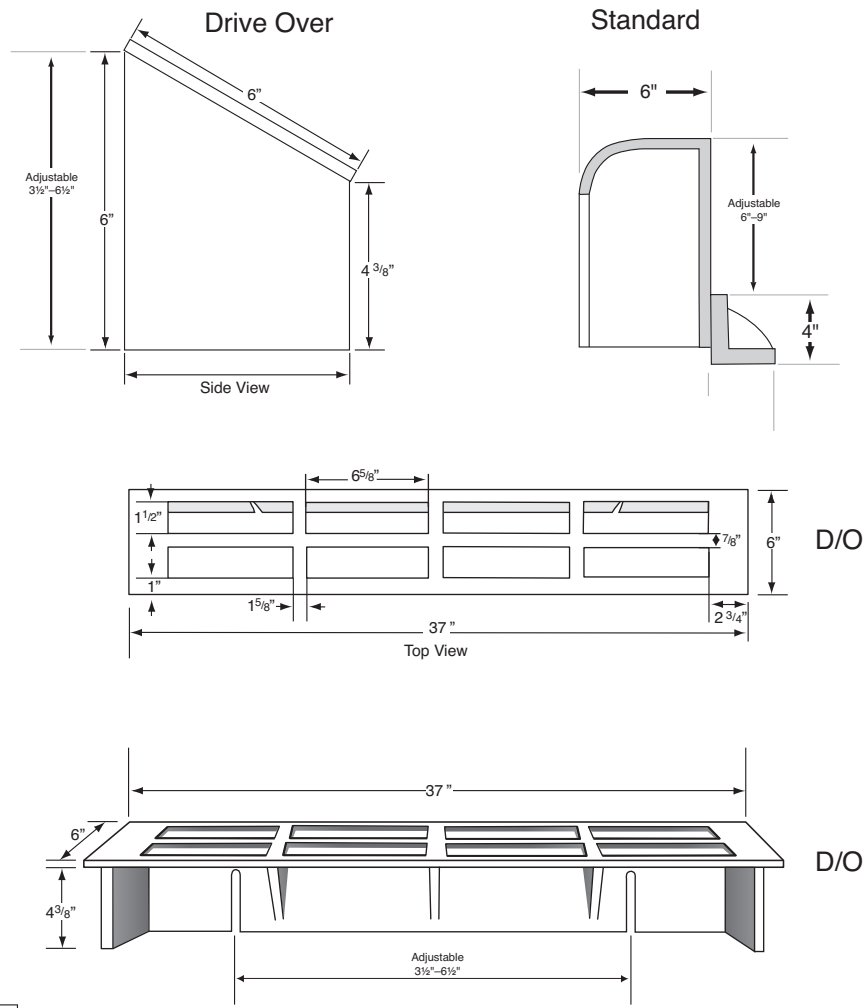
**CAST IRON** **IFG 3246 - DO CURB BOX**



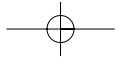
**IFG3246DO**

**APPROXIMATE WEIGHT**  
**116 lb**

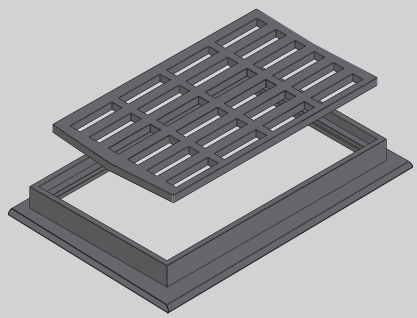
**NOTES:**  
**MARKING—CAST AS PER REQUIRED**  
**MACHINING—ALL BEARING SURFACES**  
**FINISH—BLACK BITUMINOUS PAINT**







**CAST IRON** **INLET FRAME & GRATE No. 13** **IFG-13 C.I.**

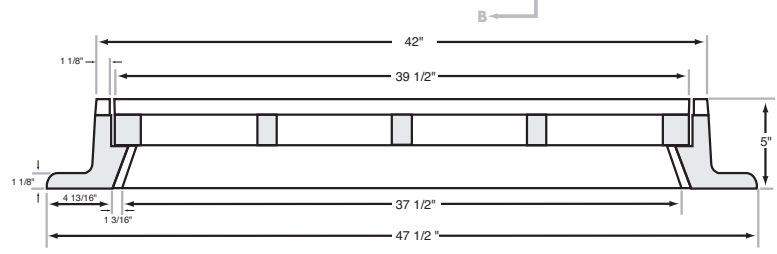
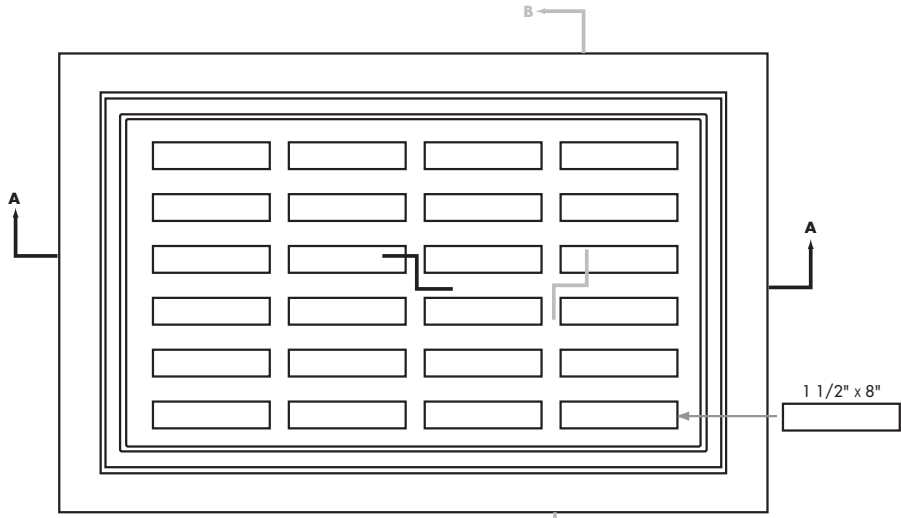


**IFG13CI**

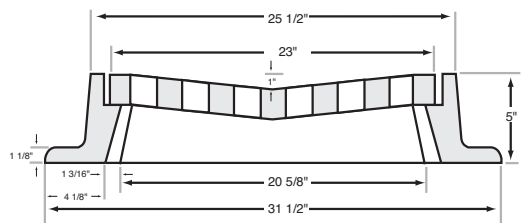
**APPROXIMATE WEIGHT**

**FRAME 330 lb**  
**GRATE 242 lb**

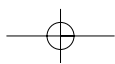
**NOTE:**  
**FINISH—BLACK BITUMINOUS PAINT**



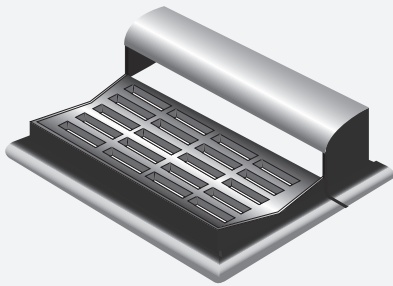
SECTION A-A



SECTION B-B



**CAST IRON INLET FRAME & GRATE No. 13 IFG-13 CURB INLET C.I.**

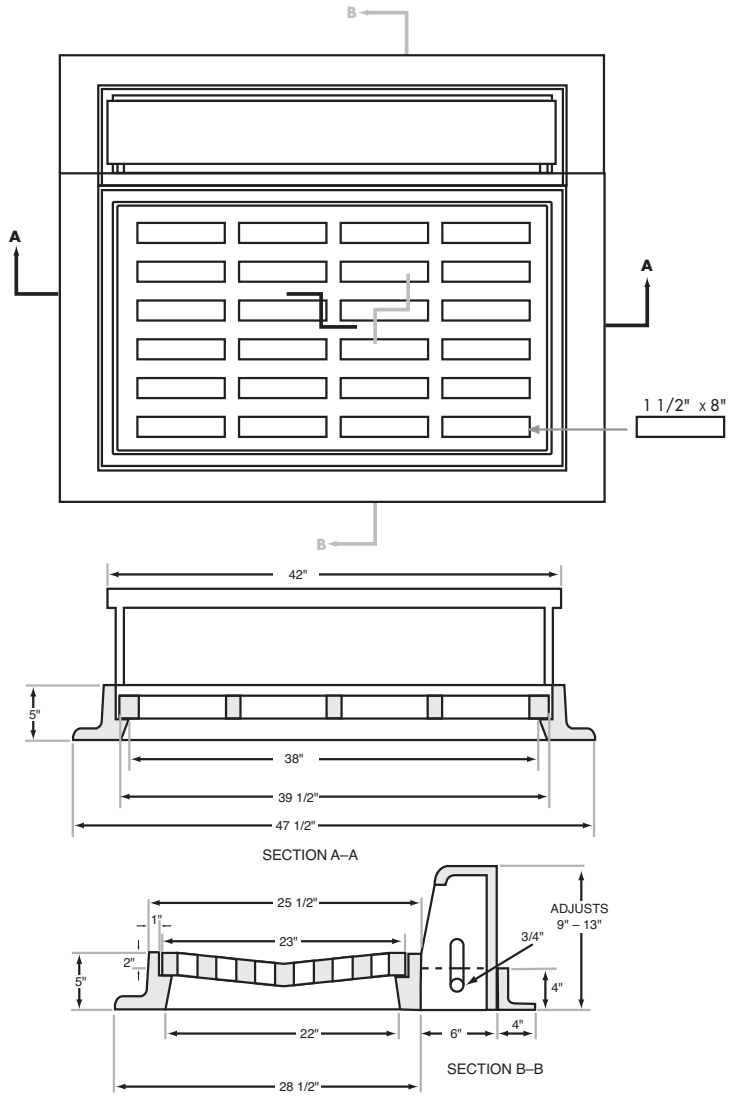


**IFG13CIC1**

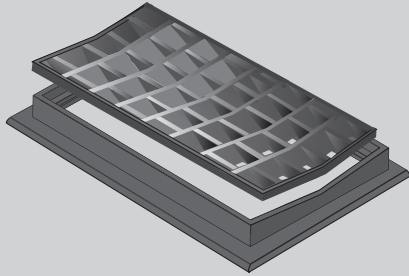
**APPROXIMATE WEIGHT**

<b>FRAME</b>	<b>330 lb</b>
<b>GRATE</b>	<b>242 lb</b>
<b>CURB BOX</b>	<b>144 lb</b>
<b>ANGLE FRAME</b>	<b>97 lb</b>

**NOTE:**  
**FINISH—BLACK BITUMINOUS PAINT**



**CAST IRON INLET FRAME & GRATE No. 16 IFG-16 C.I.**

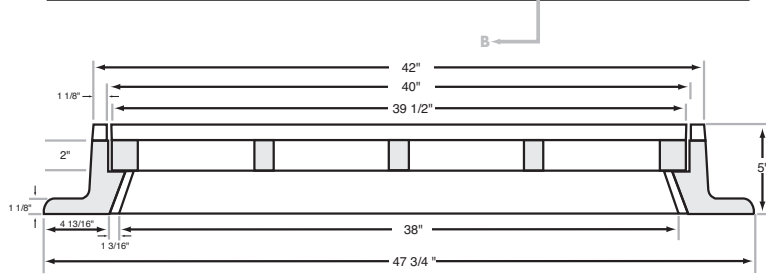
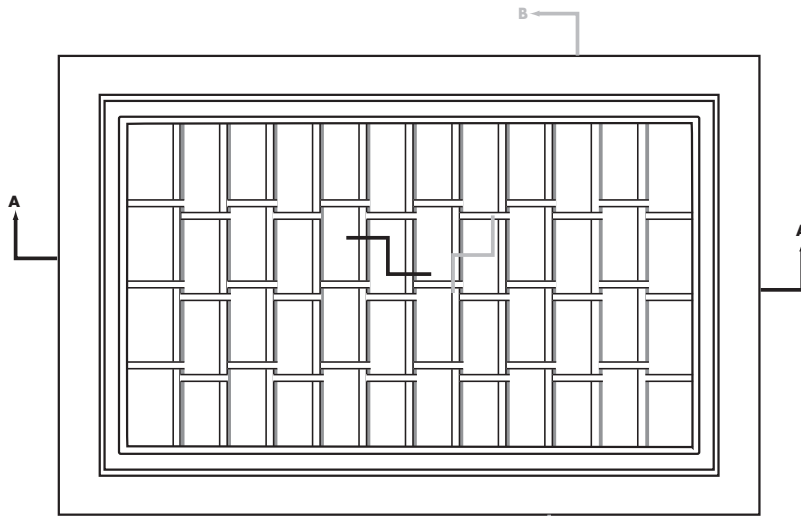


**IFG16CI**

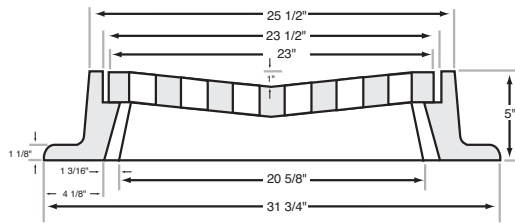
**APPROXIMATE WEIGHT**

**FRAME 325 lb**  
**GRATE 248 lb**

**NOTE:**  
**FINISH—BLACK BITUMINOUS PAINT**



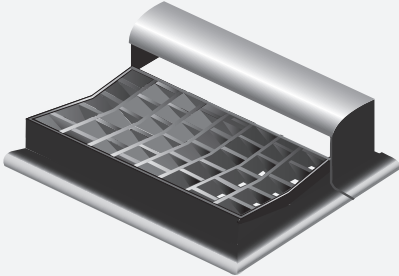
SECTION A-A



SECTION B-B



**CAST IRON INLET FRAME & GRATE No. 16 IFG-16 CURB INLET C.I.**

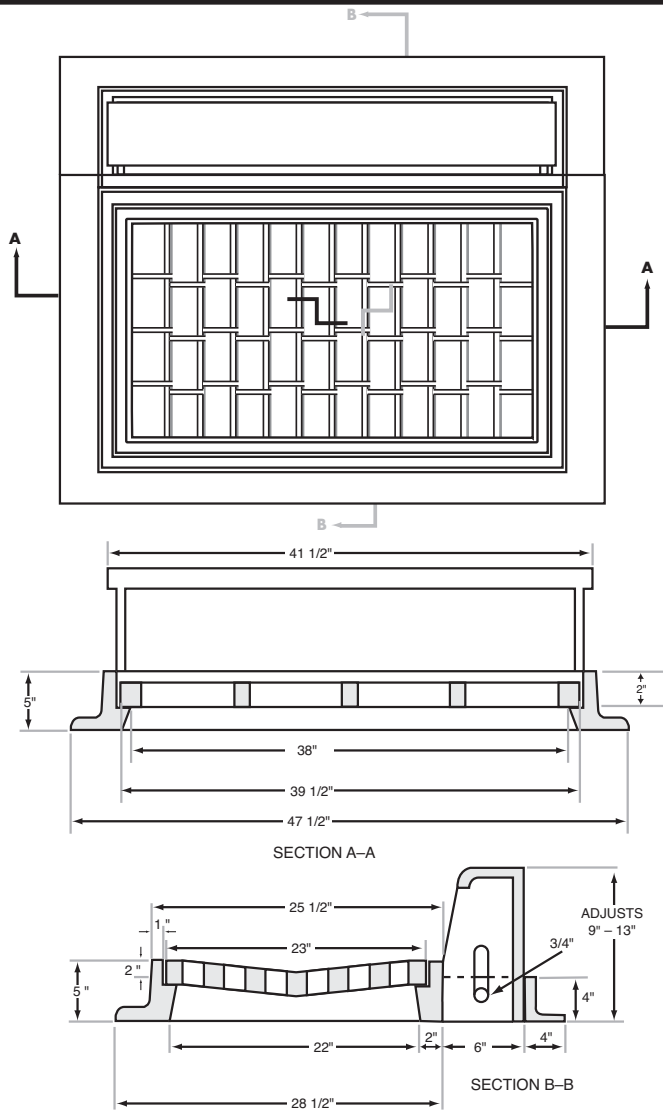


**IFG16CIC1**


**APPROXIMATE WEIGHT**

<b>FRAME</b>	<b>325 lb</b>
<b>GRATE</b>	<b>248 lb</b>
<b>CURB BOX</b>	<b>144 lb</b>
<b>ANGLE FRAME</b>	<b>97 lb</b>

**NOTE:**  
**FINISH—BLACK BITUMINOUS PAINT**



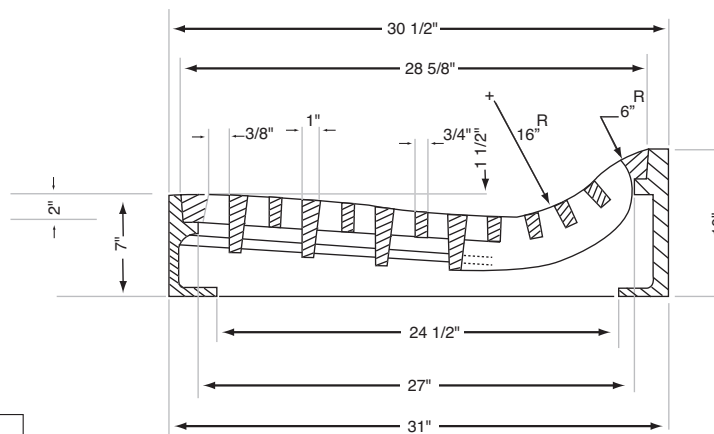
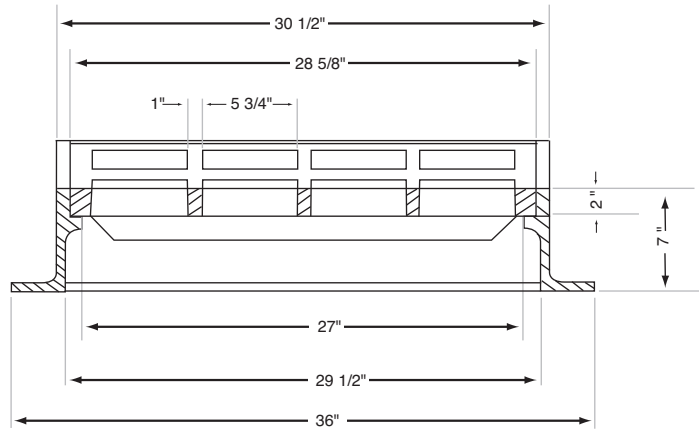
**CAST IRON INLET FOR ROLL TYPE CURB R-3501-R INLET C.I.**

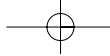


**R3501RCI**

**APPROXIMATE WEIGHT**

<b>TOTAL</b>	<b>515 lb</b>
<b>FRAME</b>	<b>250 lb</b>
<b>GRATE</b>	<b>265 lb</b>

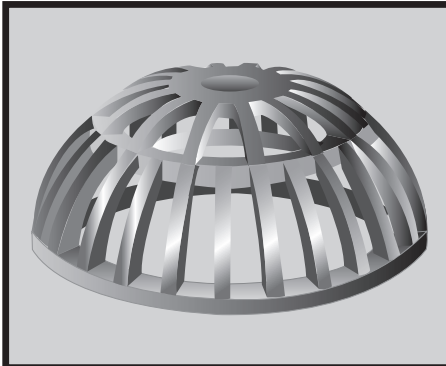




**CAST IRON**

**BEEHIVE GRATE**

**C 1030-15 C.I.**

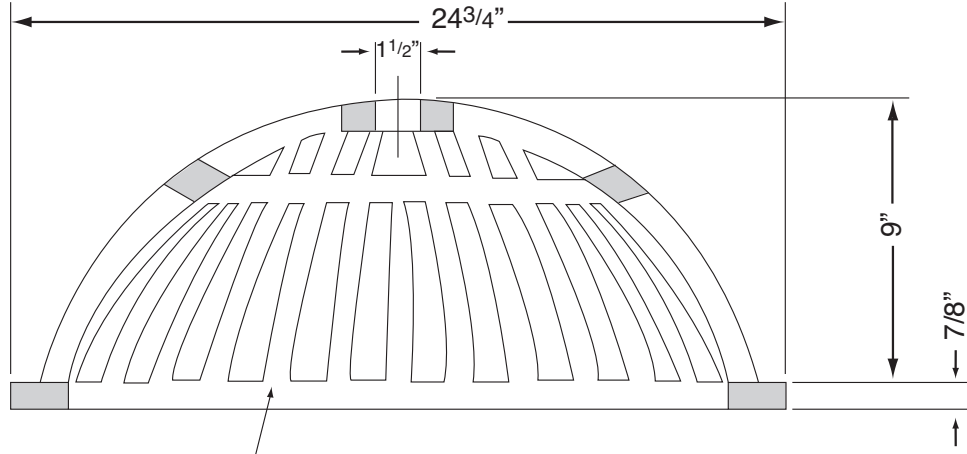


**APPROXIMATE WEIGHT**  
**272**

**C103015CI**

**NOTES:**

**FINISH—BLACK BITUMINOUS PAINT**

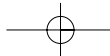


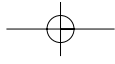
**PLAN**



**CASTINGS INC.**

860 4TH AVE. • P.O. BOX 669 • GRAND JCT, CO 81502 • 970.243.2032 • FAX 970.242.4962

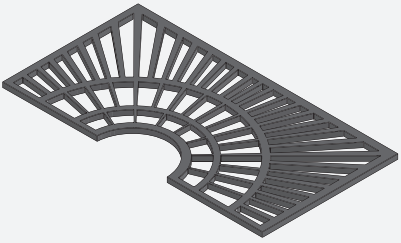




**CAST IRON**

**TREE GRATE 48" x 48"**

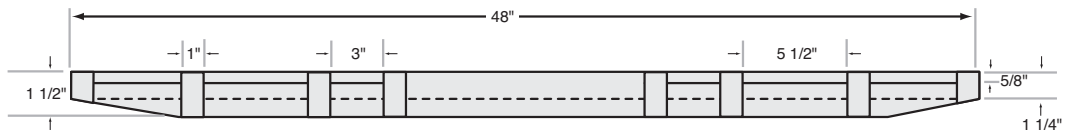
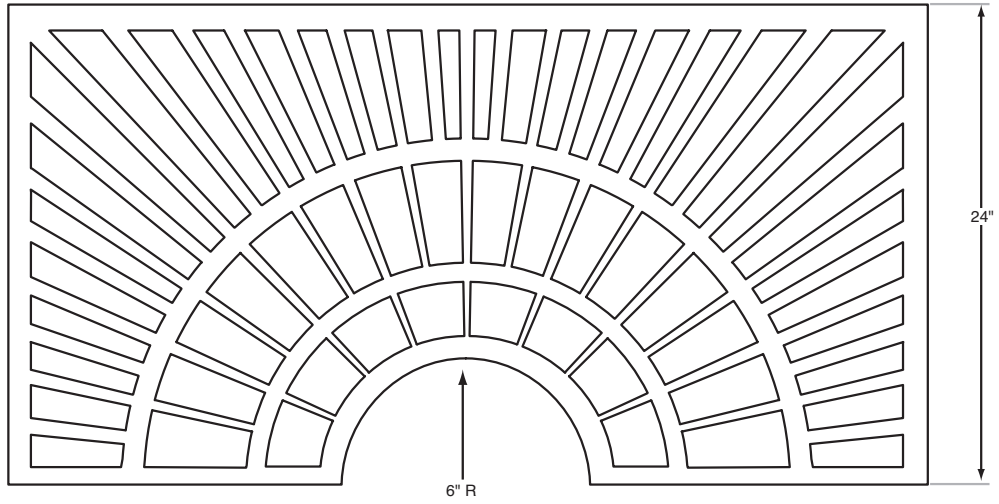
**TG SQUARE C.I.**



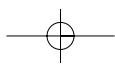
**TG4848SQCI**

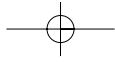
**APPROXIMATE WEIGHT**  
**260 lb**

**NOTE:**  
**FINISH—BLACK BITUMINOUS PAINT**

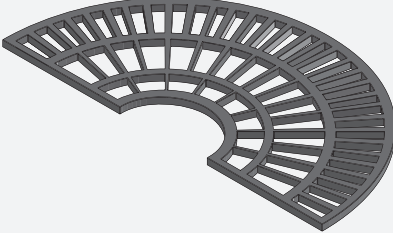


**CASTINGS INC.** 860 4TH AVE. • P.O. BOX 669 • GRAND JCT, CO 81502 • 970.243.2032 • FAX 970.242.4962





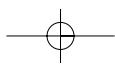
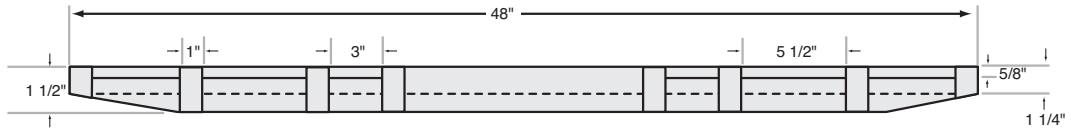
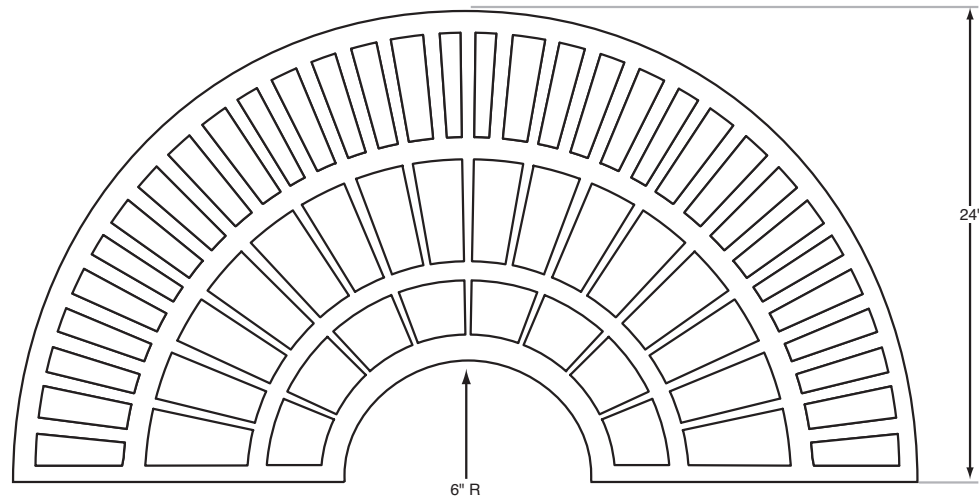
**CAST IRON** **TREE GRATE ROUND 48"** **TG ROUND C.I.**



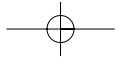
**TG48RCI**

**APPROXIMATE WEIGHT—VARIES**

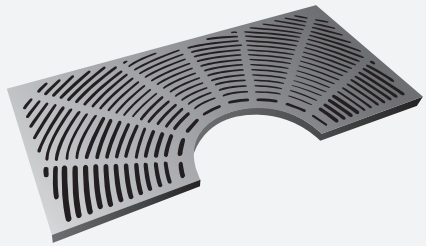
**NOTE:  
FINISH—BLACK BITUMINOUS PAINT**





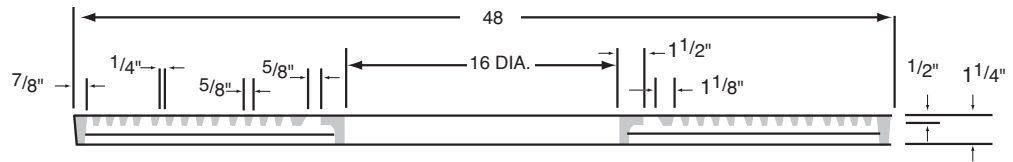
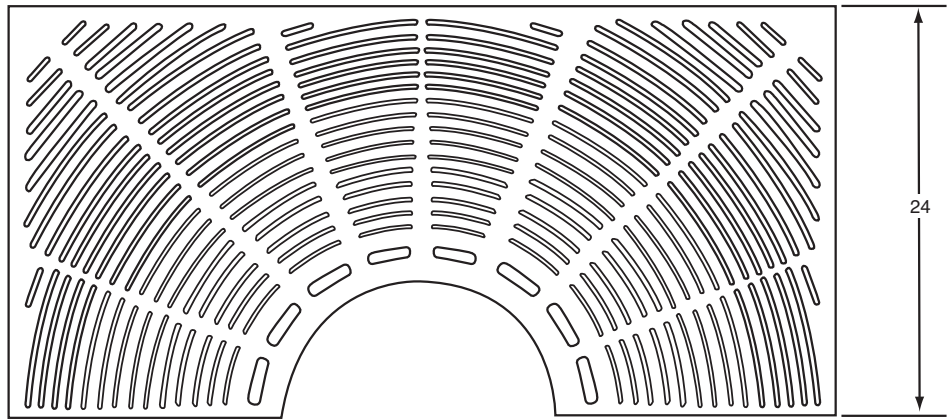


**CAST IRON** **TREE GRATE** **N5135 C.I.**

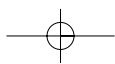


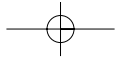
**APPROXIMATE WEIGHT—VARIES**

**NOTES:**  
**FINISH—BLACK BITUMINOUS PAINT**



HALF PANE AND SECTION

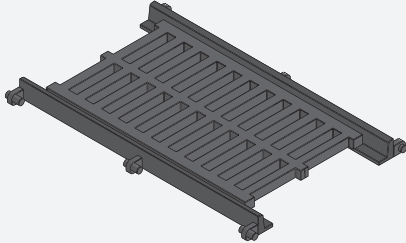




**CAST IRON**

**INLET FRAME & GRATE**

**IFG SIDEWALK C.I.**

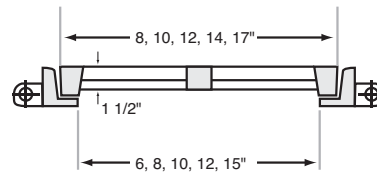
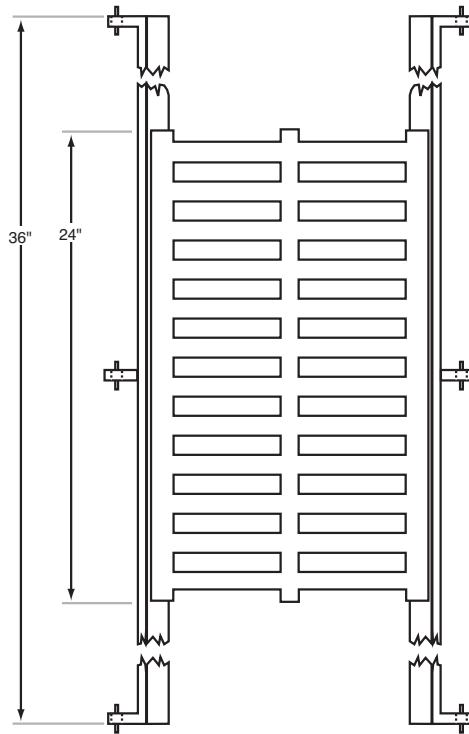


**IFGSWCI**

**APPROXIMATE WEIGHT—VARIES**

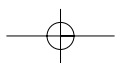
<b>8" GRATE</b>	<b>64 lb</b>
<b>10" GRATE</b>	<b>65 lb</b>
<b>12" GRATE</b>	<b>68 lb</b>
<b>14" GRATE</b>	<b>81 lb</b>
<b>17" GRATE</b>	<b>96 lb</b>

**NOTE:**  
**FINISH—BLACK BITUMINOUS PAINT**



**CASTINGS INC.**

860 4TH AVE. • P.O. BOX 669 • GRAND JCT, CO 81502 • 970.243.2032 • FAX 970.242.4962



**CAST IRON TRENCH GRATE ADA TG C.I.**

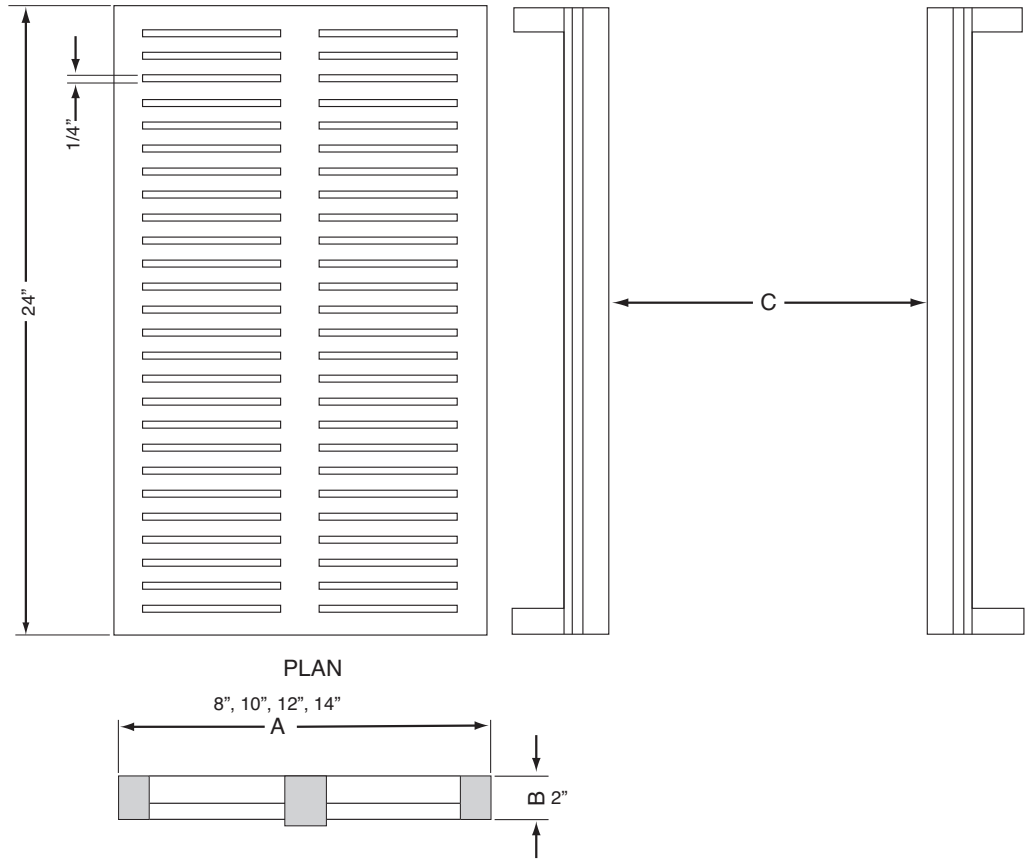


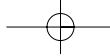
**TGADACI**

**APPROXIMATE WEIGHT**

<b>8" GRATE</b>	<b>63 lb</b>
<b>10" GRATE</b>	<b>64 lb</b>
<b>12" GRATE</b>	<b>73 lb</b>
<b>14" GRATE</b>	<b>81 lb</b>

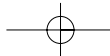
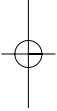
**NOTE:**  
**REVERSABLE FOR SLAB TYPE CONSRTUCTION**

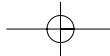




# **SECTION 11**

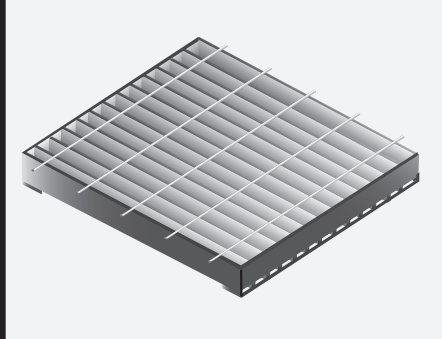
# **STEEL INLET GRATES**





**STEEL**

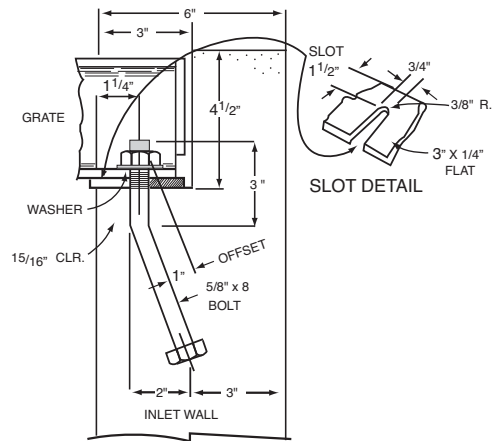
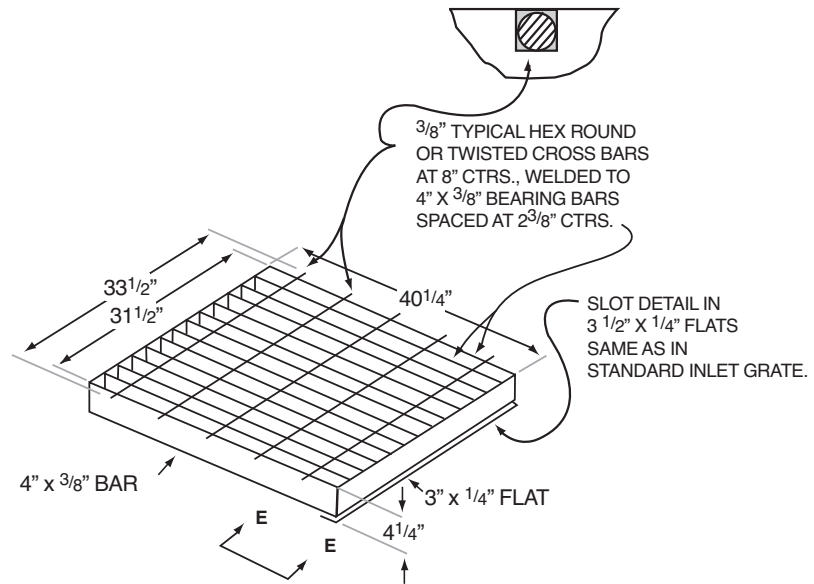
**INLET GRATE TYPE C CLOSE MESH**



**IGCCMST**

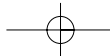
**APPROXIMATE WEIGHT  
270#**

**NOTE:  
FINISH—GALVANIZED**

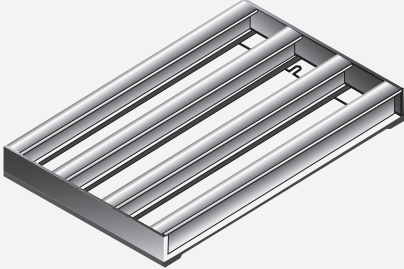


**CASTINGS INC.**

860 4TH AVE. • P.O. BOX 669 • GRAND JCT, CO 81502 • 970.243.2032 • FAX 970.242.4962



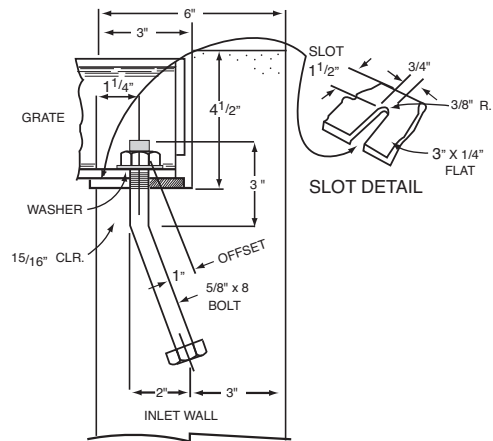
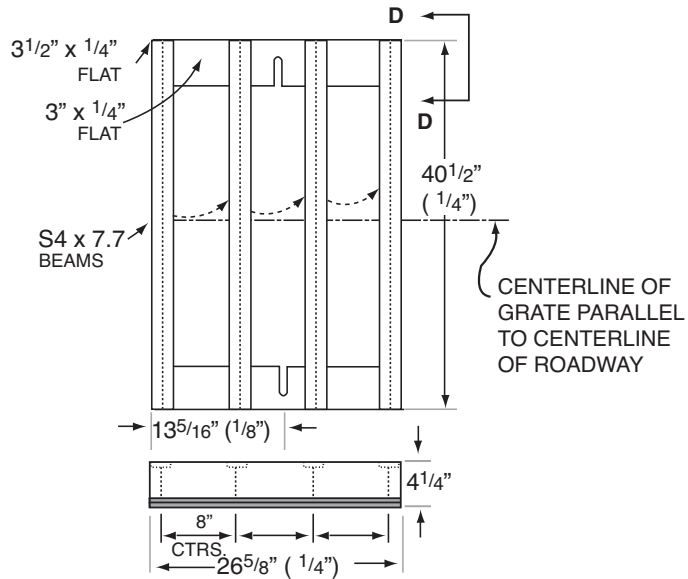
**STEEL INLET GRATE TYPE C STANDARD**

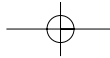


**IGCSST**

**APPROXIMATE WEIGHT**  
**132#**

**NOTE:**  
**FINISH—GALVANIZED**



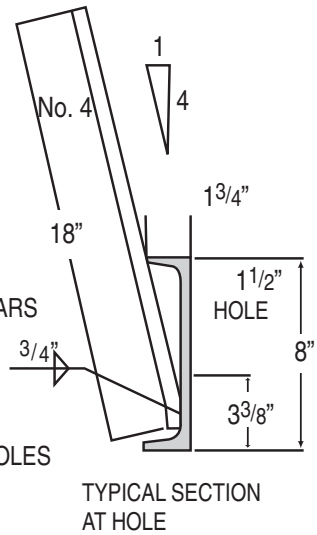
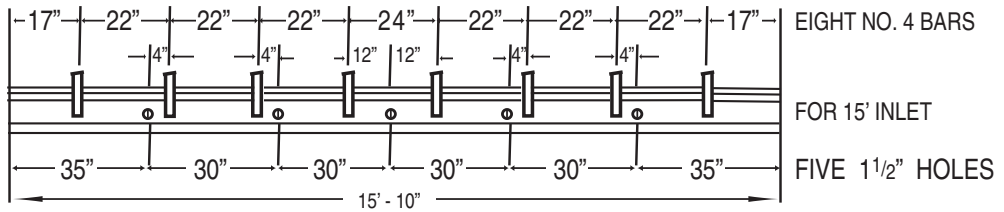
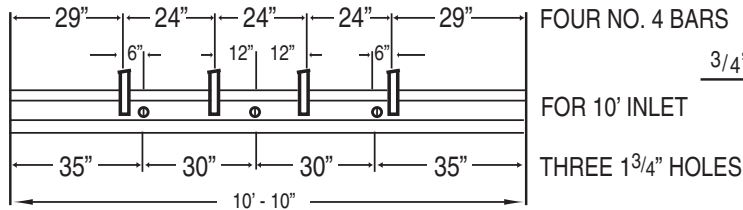
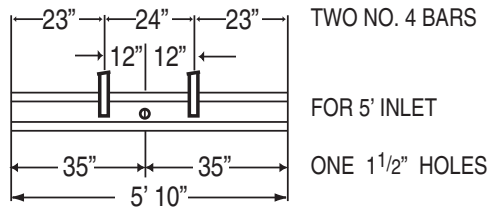


**STEEL CHANNEL LAYOUT**

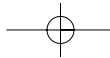
**CLO**

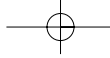
**APPROXIMATE WEIGHT**

**NOTE:  
FINISH— GALVANIZED**



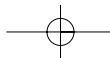
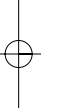
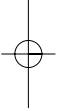
**CHANNEL LAYOUT DETAILS**



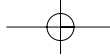


# **SECTION 12**

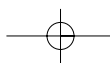
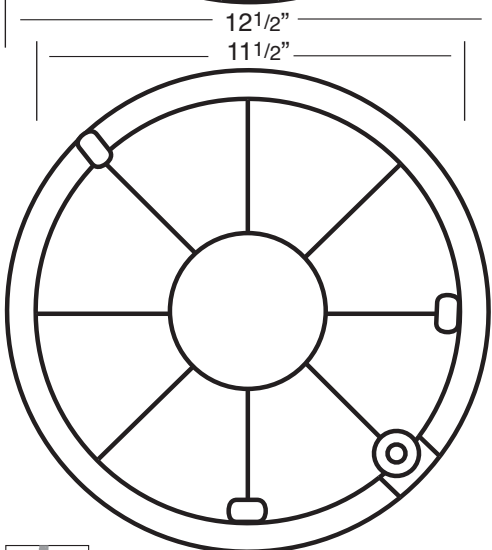
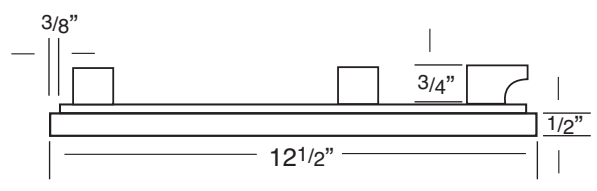
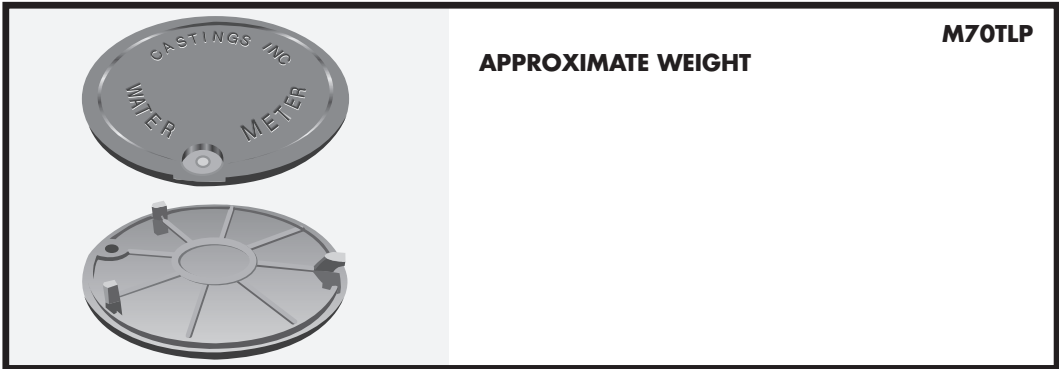
## **PLASTIC INNER LIDS AND METER COVER TOP LIDS**

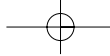






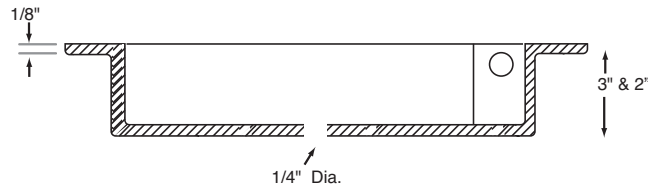
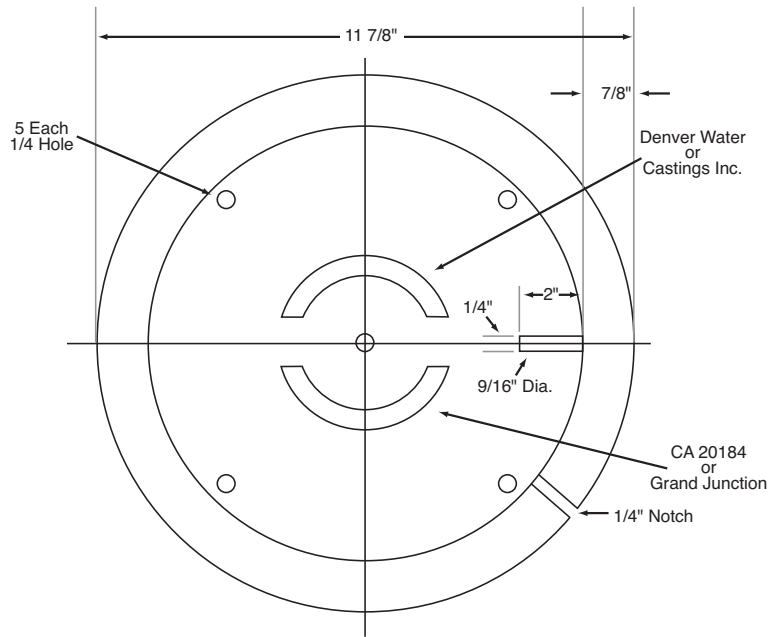
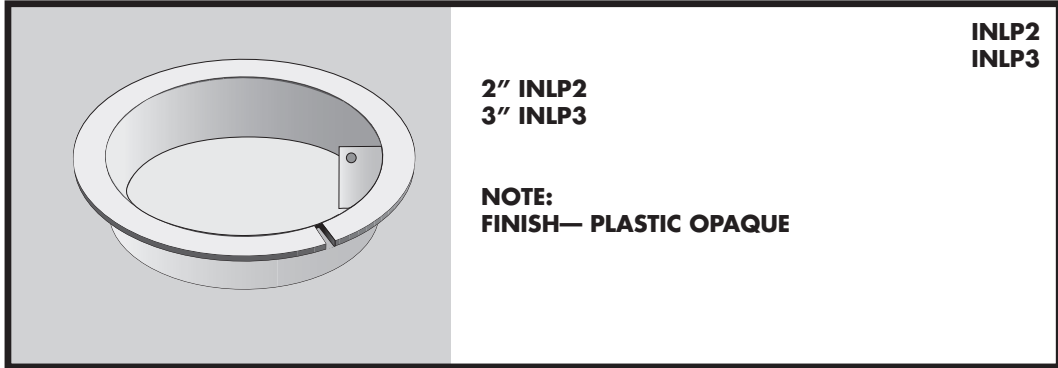
**PLASTIC** **PLASTIC METER LID**





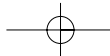
**PLASTIC**

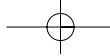
**PLASTIC METER INNER LID**



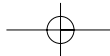
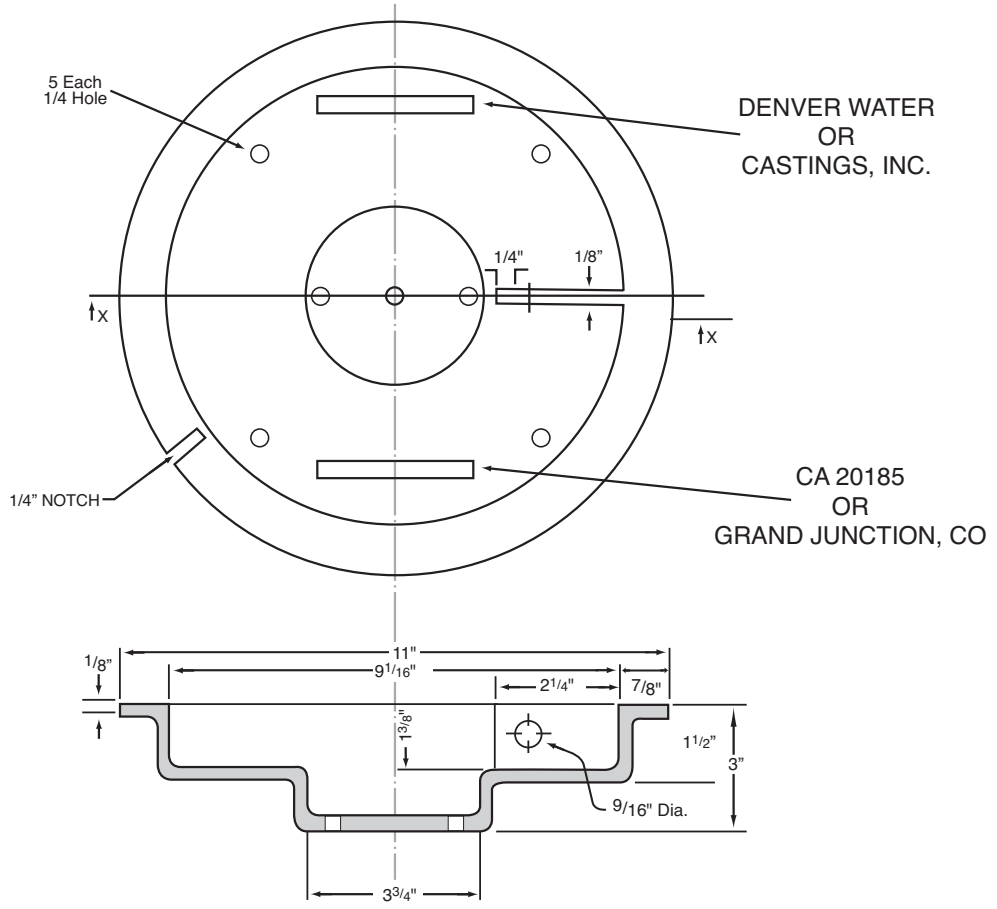
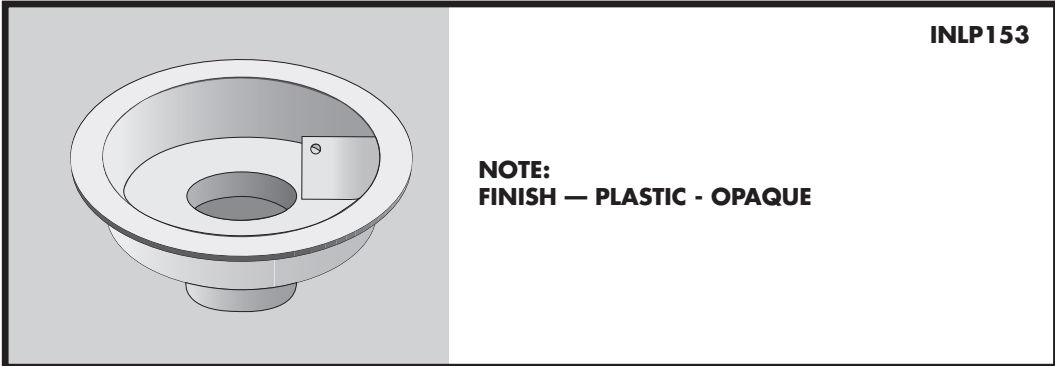
**CASTINGS INC.**

860 4TH AVE. • P.O. BOX 669 • GRAND JCT, CO 81502 • 970.243.2032 • FAX 970.242.4962





**PLASTIC** **PLASTIC METER INNER LIDS**



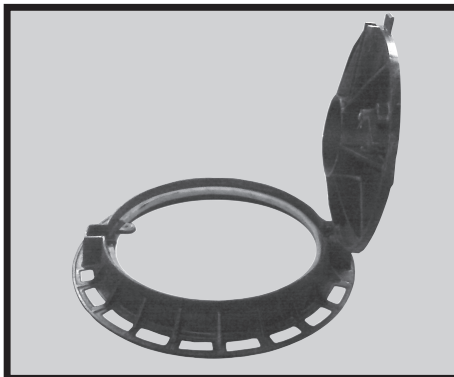
**SECTION  
13**

**DUCTILE IRON MANHOLE COVERS**

**DUCTILE IRON**

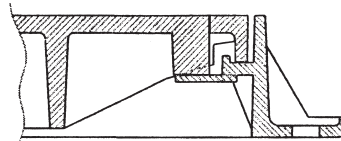
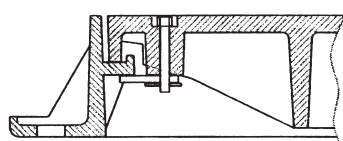
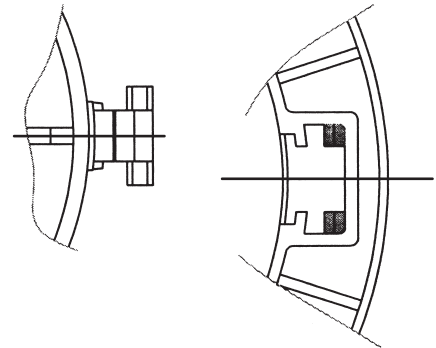
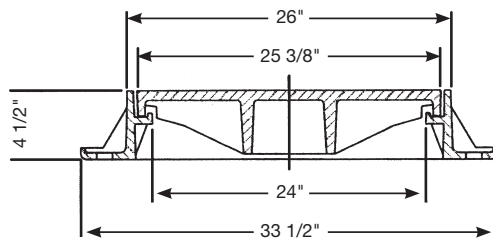
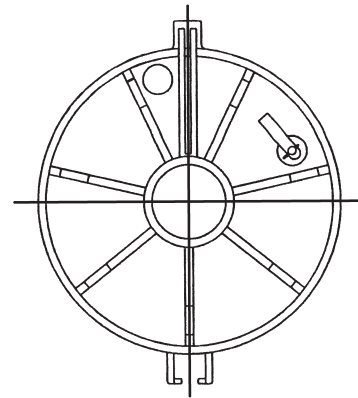
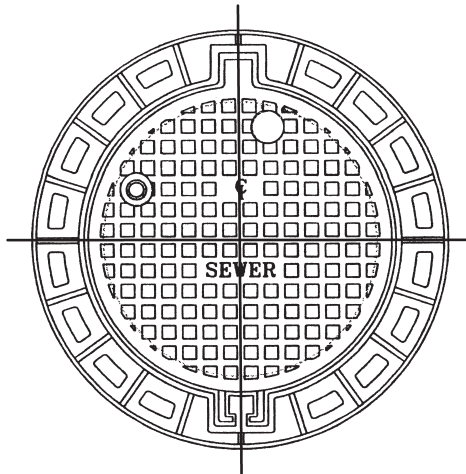
**HINGED MANHOLE RING AND COVER**

**DIMH310**



**APPROXIMATE WEIGHT 145 lb DIMH310**  
**COVER 80 lb**  
**RING 65 lb**

**NOTES: FITTED WITH PP GASKET**  
**OPTIONS: McGUARD LOCK, CAM LOCK,**  
**BOLT DOWN**  
**NAME PLATES: WATER-SEWER**  
**SPECIAL ORDER NAMEPLATES AVAILABLE**




**CASTINGS INC.**

860 4TH AVE. • P.O. BOX 669 • GRAND JCT, CO 81502 • 970.243.2032 • FAX 970.242.4962

# **SECTION**

# **14**

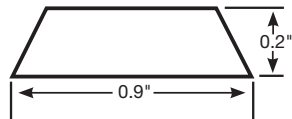
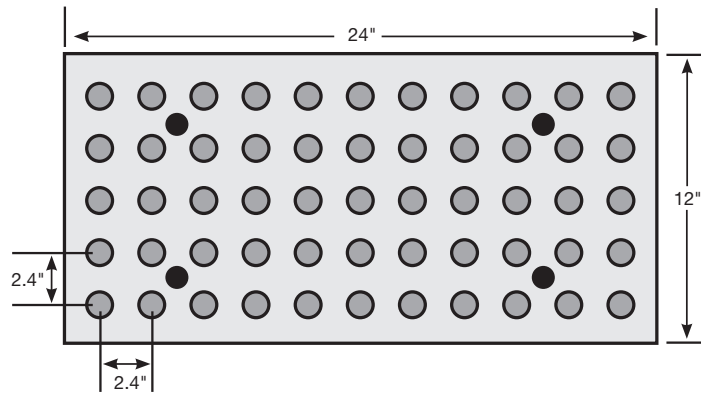
## **ADA – DETECTABLE WARNING PLATES – TRUNCATED DOMES**



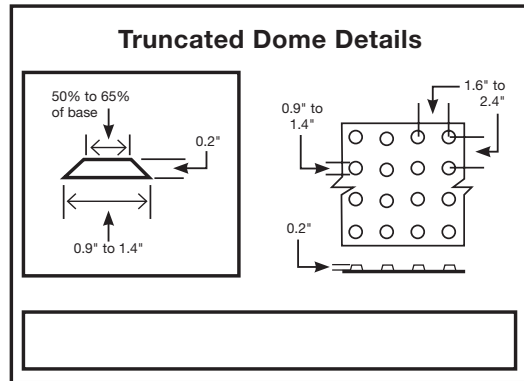
**CDOT Approved SWP1224**

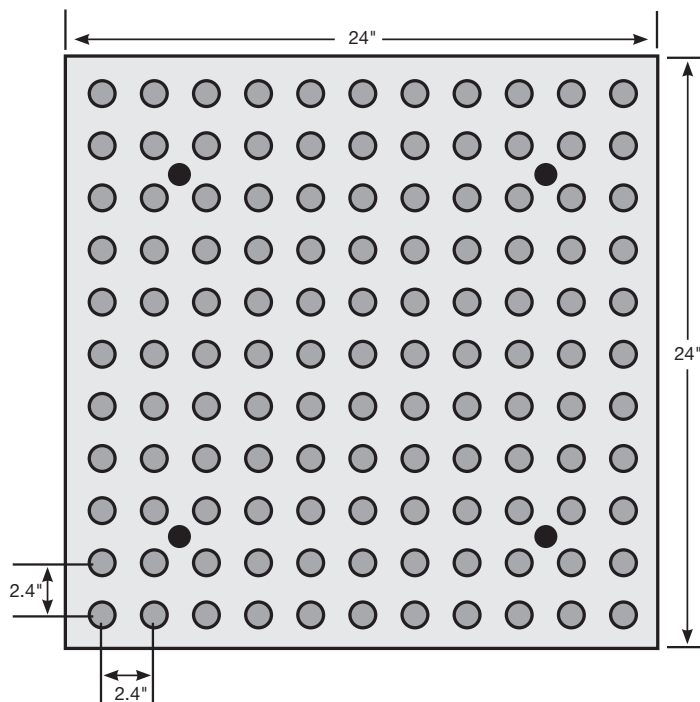
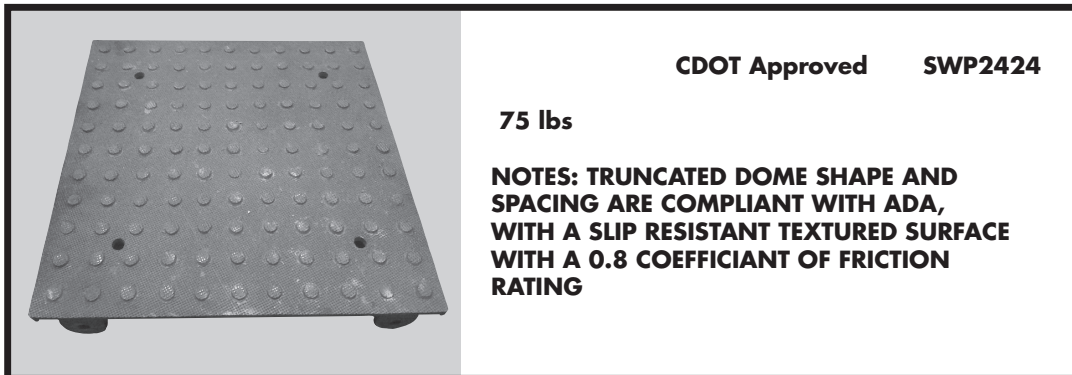
**40 lbs**

**NOTES: TRUNCATED DOME SHAPE AND SPACING ARE COMPLIANT WITH ADA, WITH A SLIP RESISTANT TEXTURED SURFACE WITH A 0.8 COEFFICIENT OF FRICTION RATING**

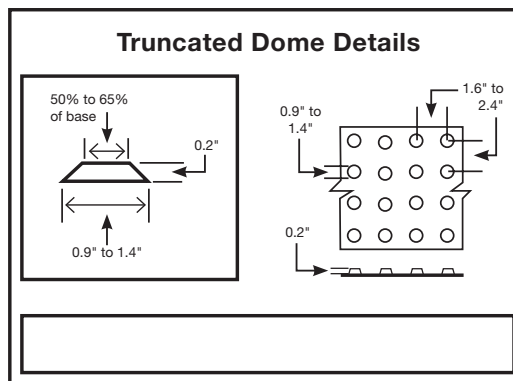
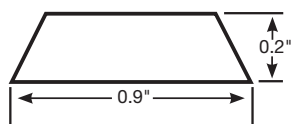


Enhanced View to Show Texture





Enhanced View to Show Texture

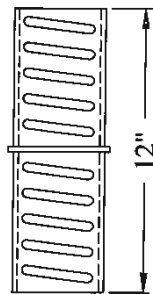




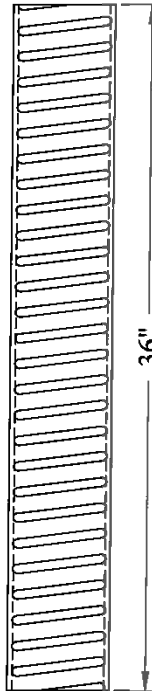


**NOTES:**

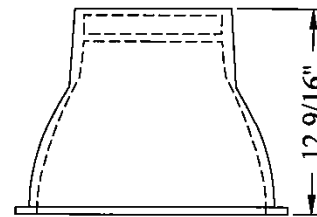
1. APPROXIMATE WEIGHT VARIES
2. NAMEPLATES - WATER, SEWER, GAS, SURVEY, TRAFFIC, CP TEST, ETC
3. FINISH - BLACK BITUMINOUS PAINT
4. VBC-36 CAN BE CUT FOR SHORTER CENTER SECTION
5. ASTM-A48 CLASS 35B



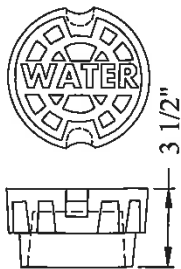
VBN-12



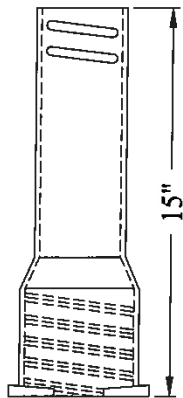
VBC-36



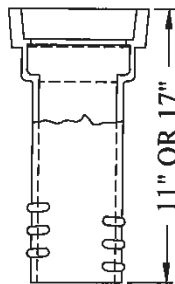
#6 BASE



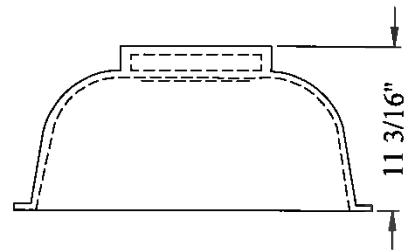
5 1/4  
DROP LID



#58  
EXTENSION



RH-11S



#160 OVAL BASE

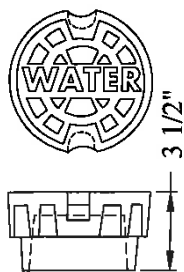
\* PATENT PENDING



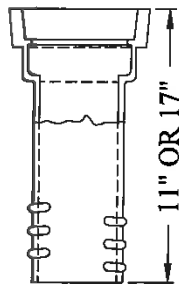


**NOTES:**

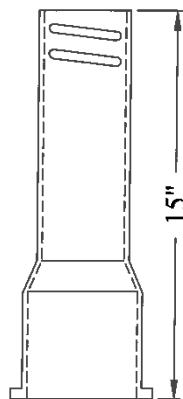
1. APPROXIMATE WEIGHT VARIES
2. NAMEPLATES - WATER, SEWER, GAS, SURVEY, TRAFFIC, CP TEST, ETC.
3. FINISH - BLACK BITUMINOUS PAINT
4. VBC-36 CAN BE CUT FOR SHORTER CENTER SECTION
5. ASTM-A48 CLASS 35B



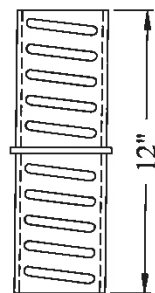
5 1/4  
DROP LID



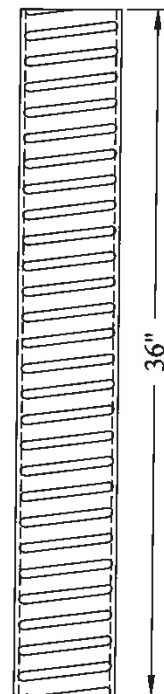
RH-11S



VBB-15



VBN-12



VBC-36



\* PATENT PENDING