




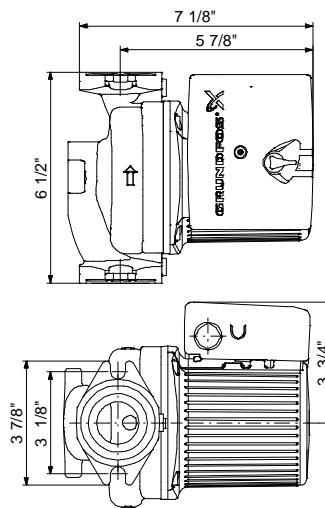
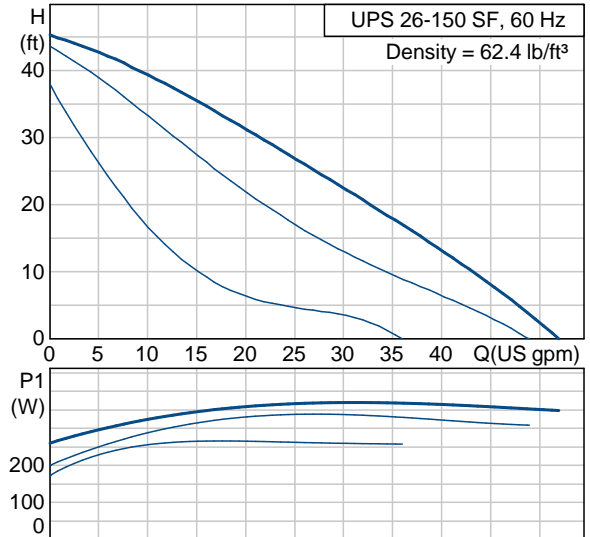
Position	Count	Description	Unit price
	-1	<p><b>UPS 26-150 SF</b></p>  <p>Product photo could vary from the actual product</p> <p>Product No.: 95906632                      The pump is of the canned rotor type, i.e. pump and motor form an integral unit without shaft seal and with only two gaskets for sealing. The bearings are lubricated by the pumped liquid. The pump is characterized by:</p> <ul style="list-style-type: none"> <li>* Ceramic shaft and radial bearings.</li> <li>* Carbon axial bearing.</li> <li>* Stainless steel rotor can and bearing plate.</li> <li>* Corrosion-resistant impeller, Composite, PES.</li> <li>* Stainless steel pump housing.</li> </ul> <p>The motor is a 1-phase motor.                      No additional motor protection is required.</p> <p><b>Liquid:</b>                      Liquid temperature range: 32 .. 230 °F                      Density: 62.4 lb/ft³</p> <p><b>Technical:</b>                      Maximum operating pressure: 145 psi                      Approvals on nameplate: ETL, CSA</p> <p><b>Materials:</b>                      Pump housing: Stainless steel                      DIN W.-Nr. 1.4301                      Impeller: Composite, PES</p> <p><b>Installation:</b>                      Maximum ambient temperature: 104 °F                      Ambient max at 176°F liquid: 176 °F                      Maximum operating pressure: 145 psi                      Flange standard: USA Oval                      Type of connection: S.S. Flange                      Pipe connection: 2 - Bolt Flange                      Pressure stage: 10</p>	On request



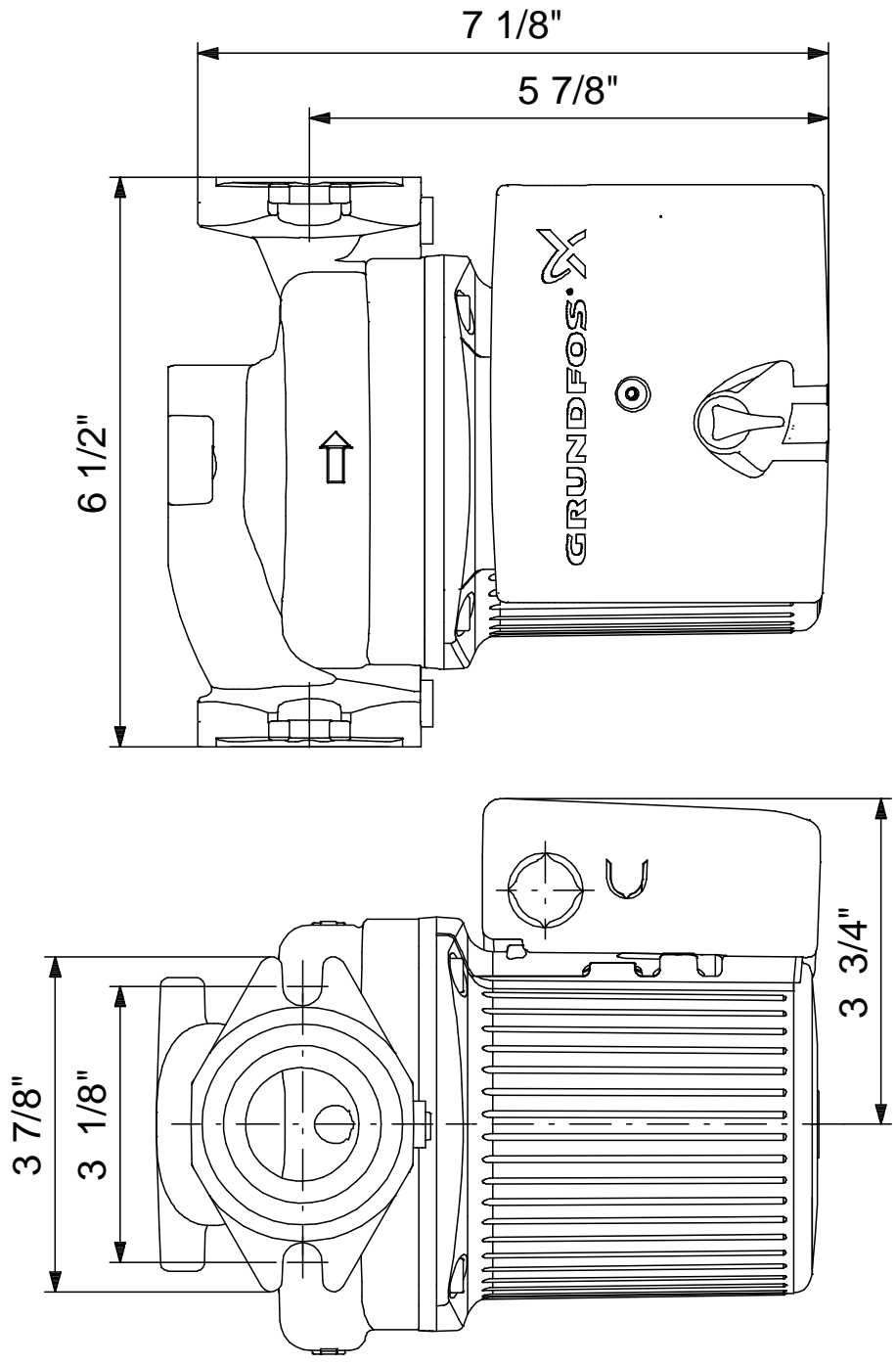
Company name: -  
 Created by: -  
 Phone: -  
 Fax: -  
 Date: -

Position	Count	Description	Unit price
		Port-to-port length: 6 1/2 in  <b>Electrical data:</b> Number of poles: 2 Power input in speed 1: 265 W Power input in speed 2: 335 W Max. power input: 370 W Rated power - P2: 0.335 HP Main frequency: 60 Hz Rated voltage: 1 x 115 V Current in speed 1: 2.5 A Current in speed 2: 3.1 A Current in speed 3: 3.5 A Capacitor size - run: 40 µF/180 V Insulation class (IEC 85): H  <b>Others:</b> Gross weight: 16.8 lb	

Description	Value
Product name:	UPS 26-150 SF
Product Number:	95906632
EAN number:	5700313291700
<b>Technical:</b>	
Speed Number:	3
Max flow:	52 US gpm
Head max:	45.3 ft
Maximum operating pressure:	145 psi
Approvals on nameplate:	ETL, CSA
<b>Materials:</b>	
Pump housing:	Stainless steel DIN W.-Nr. 1.4301
Impeller:	Composite, PES
<b>Installation:</b>	
Maximum ambient temperature:	104 °F
Ambient max at 176°F liquid:	176 °F
Maximum operating pressure:	145 psi
Flange standard:	USA Oval
Type of connection:	S.S. Flange
Pipe connection:	2 - Bolt Flange
Pressure stage:	10
Port-to-port length:	6 1/2 in
<b>Liquid:</b>	
Liquid temperature range:	32 .. 230 °F
Density:	62.4 lb/ft³
<b>Electrical data:</b>	
Number of poles:	2
Power input in speed 1:	265 W
Power input in speed 2:	335 W
Max. power input:	370 W
Rated power - P2:	0.335 HP
Main frequency:	60 Hz
Rated voltage:	1 x 115 V
Current in speed 1:	2.5 A
Current in speed 2:	3.1 A
Current in speed 3:	3.5 A
Capacitor size - run:	40 µF/180 V
Insulation class (IEC 85):	H
Motor protection:	CONTACT
Thermal protec:	internal
<b>Controls:</b>	
Pos term box:	9H
<b>Others:</b>	
Gross weight:	16.8 lb



**95906632 UPS 26-150 SF 60 Hz**



Note! All units are in [mm] unless others are stated.  
Disclaimer: This simplified dimensional drawing does not show all details.