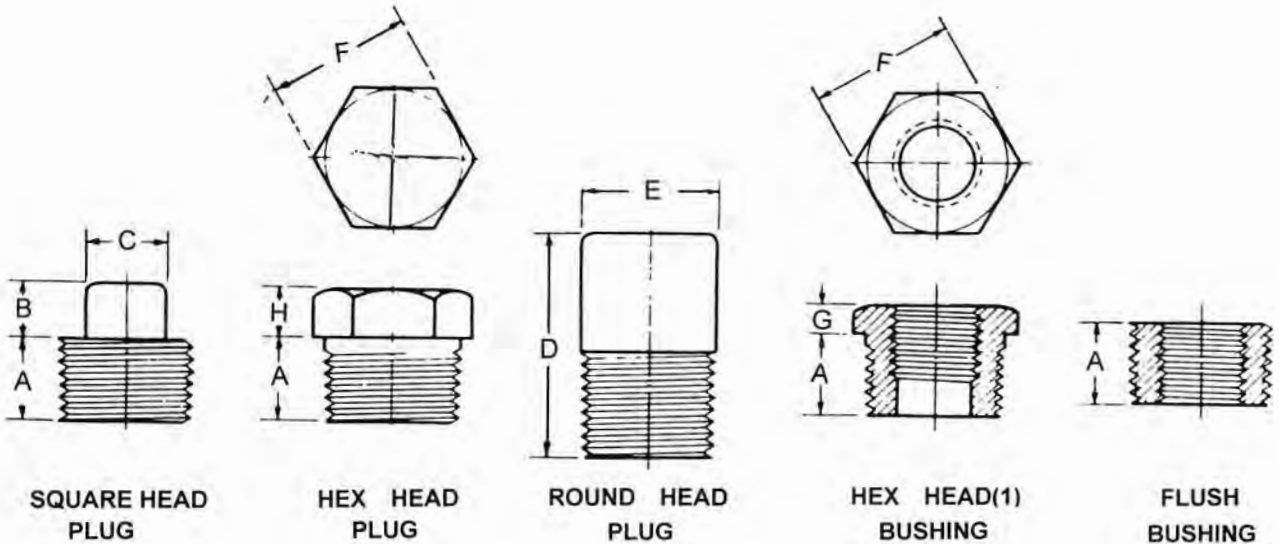




THREADED FITTINGS

ASME B16.11-1996 (REVISION OF ASME B16.11-1991)



Dimensions in Millimeters.

DN	Nom. Pipe Size	Length (Min.) A	Plugs Square Head		Plugs Round Head		Hex Plugs & Bushings		
			Height of Square (Min.) B	Width Flats (Min.) C	Nominal Diameter of Head E	Length (Min.) D	Width Flats (Nom.) F	Hex Height (Min.)	
								Bushing G	plug H
6	1/8	10	6	7	10	35	11	...	6
8	1/4	11	6	10	14	41	16	3	6
10	3/8	13	8	11	18	41	18	4	8
15	1/2	14	10	14	21	44	22	5	8
20	3/4	16	11	16	27	44	27	6	10
25	1	19	13	21	33	51	36	6	10
32	1-1/4	21	14	24	43	51	46	7	14
40	1-1/2	21	16	28	48	51	50	8	16
50	2	22	18	32	60	64	65	9	18
65	2-1/2	27	19	36	73	70	75	10	19
80	3	28	21	41	89	70	90	10	21
100	4	32	25	65	114	76	115	13	25

(1) CAUTIONARY NOTE REGARDING HEX BUSHINGS. Hex Head Bushings of one-size reduction should not be used in services wherein they might be subject to harmful loads and forces other than internal pressures.