

Seamless Pipe Nipples - Black & Galvanized
 Standard Schedule 40, XH Schedule 80, Schedule 160, XXH



- FIG. 320:**
Standard
Black Sch. 40
- FIG. 325:**
Extra Heavy
Black Sch. 80
- FIG. 326:**
160
Black Sch. 160
- FIG. 327:**
XXH
Black
- FIG. 330:**
Standard
Galv. Sch. 40
- FIG. 335:**
Extra Heavy
Galv. Sch. 80
- FIG. 333:**
160
Galv. Sch. 160
- FIG. 329:**
XXH
Galvanized

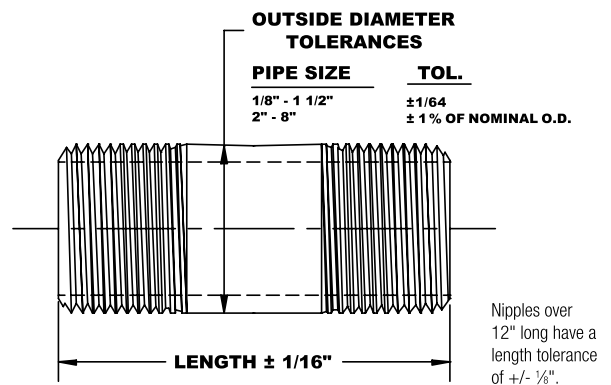
Specifications

Dimensions: ASTM A733 (See table below for standard sizes)

Threads: NPT per ASME B1.20.1

Material: ASTM A106 Grade B Seamless Pipe
 ASTM A333 Grade 6 Seamless Pipe (For Canada only)

Finish: ASTM A106 Nipples Phosphate Coated or Hot Dip Galvanized
 ASTM A333 Nipples Phosphate Coated or Zinc Electroplated



Pipe Size in	Pipe O.D. in	Length Close in	Pipe Nipple Lengths																
			1 1/2	2	2 1/2	3	3 1/2	4	4 1/2	5	5 1/2	6	7	8	9	10	11	12	
1/8	0.405	3/4	1 1/2	2	2 1/2	3	3 1/2	4	4 1/2	5	5 1/2	6	7	8	9	10	11	12	
1/4	0.540	7/8	1 1/2	2	2 1/2	3	3 1/2	4	4 1/2	5	5 1/2	6	7	8	9	10	11	12	
3/8	0.675	1	1 1/2	2	2 1/2	3	3 1/2	4	4 1/2	5	5 1/2	6	7	8	9	10	11	12	
1/2	0.840	1 1/8	1 1/2	2	2 1/2	3	3 1/2	4	4 1/2	5	5 1/2	6	7	8	9	10	11	12	
3/4	1.050	1 3/8	1 1/2	2	2 1/2	3	3 1/2	4	4 1/2	5	5 1/2	6	7	8	9	10	11	12	
1	1.315	1 1/2		2	2 1/2	3	3 1/2	4	4 1/2	5	5 1/2	6	7	8	9	10	11	12	
1 1/4	1.660	1 5/8		2	2 1/2	3	3 1/2	4	4 1/2	5	5 1/2	6	7	8	9	10	11	12	
1 1/2	1.900	1 3/4		2	2 1/2	3	3 1/2	4	4 1/2	5	5 1/2	6	7	8	9	10	11	12	
2	2.375	2			2 1/2	3	3 1/2	4	4 1/2	5	5 1/2	6	7	8	9	10	11	12	
2 1/2	2.875	2 1/2				3	3 1/2	4	4 1/2	5	5 1/2	6	7	8	9	10	11	12	
3	3.500	2 5/8				3	3 1/2	4	4 1/2	5	5 1/2	6	7	8	9	10	11	12	
4	4.500	2 7/8						4	4 1/2	5	5 1/2	6	7	8	9	10	11	12	
5	5.563	3							4 1/2	5	5 1/2	6	7	8	9	10	11	12	
6	6.625	3 1/8							4 1/2	5	5 1/2	6	7	8	9	10	11	12	

Note: Other lengths available upon request.
 8" Pipe Size available as POA - contact your Anvil Representative for details.

PROJECT INFORMATION	APPROVAL STAMP
Project:	<input type="checkbox"/> Approved
Address:	<input type="checkbox"/> Approved as noted
Contractor:	<input type="checkbox"/> Not approved
Engineer:	Remarks:
Submittal Date:	
Notes 1:	
Notes 2:	