



Catalog Number	
Notes	Type

Indoor Decorative

Saturn

FEATURES & SPECIFICATIONS

INTENDED USE

Provides general illumination in residential applications. **If required for commercial application or operation more than eight (8) hours per day, consult factory for available options.** Ideal for use in foyers, hallways, bedrooms, offices, utility work areas, stairways and many other rooms in the house.

ATTRIBUTES

Contemporary style fixture. Twin steel rings surround a dropped durable, milk-white acrylic diffuser. Complemented with matching finials in either a brushed nickel or antique bronze finish. Diffuser provides widespread illumination. Available in two sizes: 13" or 16" diameters. Fixture can be flush or semi-flush mounted, matching brushed nickel canopy and stems included for semi-flush mounting. Finials provide easy access for cleaning and maintenance.

Includes 26W compact double twin tube (DTT) 4-pin 3500K fluorescent lamp(s) for energy efficiency, superior color rendering and long life.

Standard with electronic ballast (120 volt, 60Hz) ensures no flickering and quiet operation without interfering with other home electronics.

Use with non-dimmable switches only.

All mounting hardware included.

LISTING

CUL listed to US and Canadian safety standards and suitable for damp locations. ENERGY STAR® qualified.

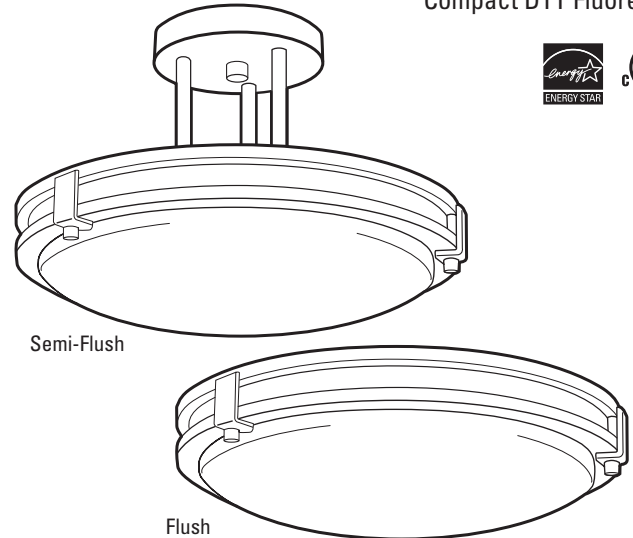
WARRANTY

Guaranteed for two years against mechanical defects in manufacture.

Note: Specifications subject to change without notice.

Flush/Semi-Flush Mount

Compact DTT Fluorescent

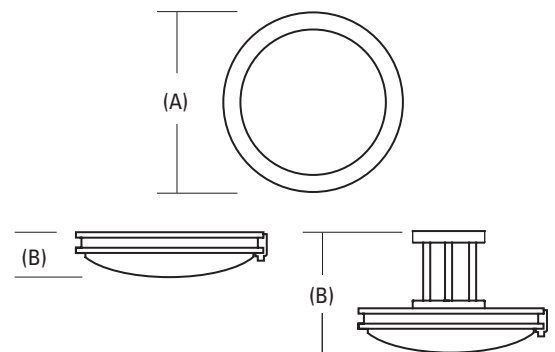


DIMENSIONS

Nominal Size	Lamp configuration	Model Number	Number of Lamps	Mounting Configuration	(A) Width inches (cm)	(B) Extension* inches (cm)
13" dia		11750	(1) 26W compact (DTT)	Flush	13" (30.5)	3-1/8" (7.9)
				Semi-flush	13" (30.5)	8-3/8" (21.3)
16" dia		11752	(2) 26W compact (DTT)	Flush	16" (40.6)	3-1/4" (8.3)
				Semi-flush	16" (40.6)	8-5/8" (21.9)

* Extension from ceiling

All dimensions are in inches (centimeters)



ORDERING INFORMATION

Choose the boldface catalog nomenclature that best suits your needs and write it on the appropriate line. Order accessories as separate catalog numbers.

Example: **11750 BN**

Model Number ¹	Finish	Ballast/Voltage ²	Options
11750 13" diameter - (1) 26W compact (DTT) 4-pin 3500K fluorescent lamp Included	BN Brushed nickel BZA Antique bronze	(blank) 120 volt residential electronic ballasts (standard)	(Consult factory)
11752 16" diameter - (2) 26W compact (DTT) 4-pin 3500K fluorescent lamps Included		Other voltage and ballast types (Consult factory)	

Accessories/Replacement parts

CF26QT35 4PIN R6	26W compact (DTT) 4-pin 3500K fluorescent lamp ³
DSATN13	13" Acrylic diffuser, milk white
DSATN16	16" Acrylic diffuser, milk white

Notes:

- INCLUDES** - 26W compact (DTT) 4-pin 3500K fluorescent lamp(s).
- Use with non-dimmable switches only.
- Retail pack must be ordered in increments of 6.

Saturn Flush/Semi-Flush Mount

PHOTOMETRICS

Full photometric data report available within 2 weeks from request. Consult factory.

Consumer Products

One Lithonia Way, Conyers, GA 30012

Phone: 800-748-5070 Fax: 770-860-3903

In Canada: 160 Avenue Labrosse, Point-Claire, P.Q., H9R 1A1

www.lightahome.com