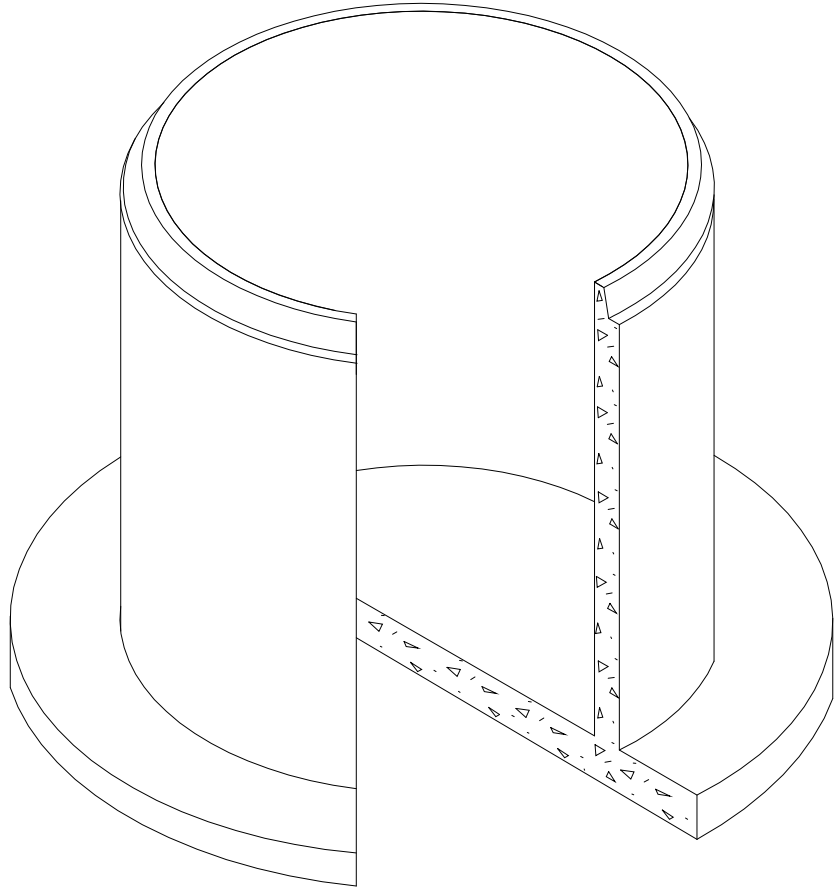
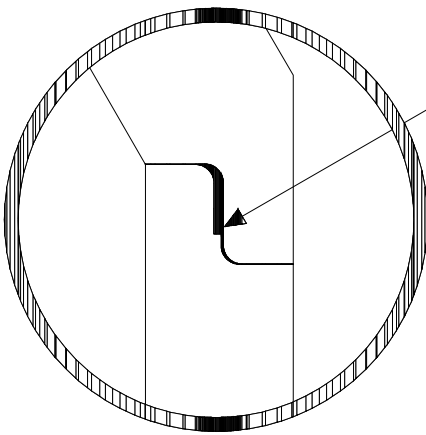


ISOMETRIC VIEW
TOUNGE JOINT SHOWN



JOINT DETAIL



GASKET MATERIAL IS
RECOMMENDED

ALSO AVAILABLE IN:

HEIGHT	WEIGHT W/INVERT
2' - 0"	7,400 LBS.
2' - 6"	8,050 LBS.
3' - 0"	8,700 LBS.
3' - 6"	9,350 LBS.
4' - 0"	10,000 LBS.

The Turner Company		11049 Highway 287 Rhome, Tx 76078 (817) 638-9053
Product: 60" DIAMETER BASE UNIT		
Concrete: 4500 PSI MINIMUM		
Reinforcement: MEETS OR EXCEEDS ASTM-C-478-95 REQUIREMENT		
Size:	Date:	DWG No.
Weight:		