

www.grnleafinc.com

MANUFACTURER
OF
LIQUID
HANDLING
PRODUCTS
SINCE 1979



GREEN ^{GL} LEAF

INCORPORATED

®



GOODYEAR
RUBBER PRODUCTS INC.

Call Toll Free: **1-866-711-4673**
WebSales@GoodyearRubberProducts.com

We Ship
World Wide



BOLTED VALVES 1-5

X Series - Steel Handled Ball Valves
X Series Replacement Parts
4 & 6 Bolt Valves
4 & 6 Bolt Replacement Parts

SINGLE UNION VALVES 6

TRUE UNION BALL VALVES 7-8

HM QUICK SHUT OFF VALVE

Ball Valve
Repair Kit
Individual Parts

DISPENSING NOZZLE 9

SWIVEL FITTING 9

Gator Lock® CAM LEVER COUPLINGS 10-16

Polypropylene— Series A Series D Series PL
Series B Series E Series CAP
Series C Series F

Spool Adapter
45° F and 90° Series (AL, CL, DL, FL)
Green Arm Couplings
Garden Hose Cams (QVA, QA, QB, QD, QF, QYD)

DRY DISCONNECTS 15

TANK FITTINGS 17-20

Bulkhead Fittings
Combination Hose Nipples
Line Filters
Strainers (Polypropylene & Steel)
Tank Flanges

HOSE FITTINGS 21-24

90° Elbow (MPT x barb)
90° Elbow (FPT x barb)
Straight Adapter (MPT x barb)
Insert Tee (three barbed)
Straight Adapter (FPT x barb)
Cross (barbed)
Flat Seat Hose Barb
Hose Mender (barbed)
Tee Adapter (MPT x barb)
Elbow (barbed)

PIPE FITTINGS 25-27

Tee (FPT)
Tee (FPT with gauge port)
Street Elbows (MPT x FPT)
Reducer Bushing (MPT x FPT)
Elbow (FPT)
Coupling (FPT)
Plug (MPT with hex)
Nipple (MPT)
Nipple (reducing)

EXPLANATION OF ABBREVIATIONS

P - Polypropylene
HB - Hose Barb
MPT - Male Pipe Tapered Thread
FPT - Female Pipe Tapered Thread
MPS - Male Pipe Straight Thread
FPS - Female Pipe Straight Thread
MGHT - Male Garden Hose Thread 3/4"
FGHT - Female Garden Hose Thread 3/4"
SPT - Standard Pipe Thread
UN - Unified National (used on nozzle fittings)

GARDEN HOSE FITTINGS 28-30

Adapter (MGHT x FPT) -- Adapter (MPT x FGHT)
Adapter (MPT x MGHT) -- Adapter (MGHT x FGHT)
Coupling (FGHT x FPT)
Swivel Cap (FGHT & FPS)
Plug (MGHT with hex)
Tee Adapter (MPT x barb)
Adapter (MGHT x barb)
Elbow (MGHT x barb)
Nipple (reducing)
Swivel Nut (FGHT)
Washers (for garden hose)
Three Piece Barb Assembly
Garden Hose Shutoff Valves

SPRAY TIP FILTER 31

Spray Tip Filter with Ball Check
Standard Flat Spray Tip
Flooding Nozzle

SPOT SPRAY GUN

NOZZLE FITTINGS 32-33

Spray Tip Blank
Male Adapter
Boom Clamp
Female Adapter
Swivel Nut (for spray tips)
Winged Swivel Nut (for spray tips)
Metering Barb
Hex Nut
Straight Adapter
Elbow
Cross
Tee

NOZZLE BODIES 34

WINGED BAYONET CAPS 34

PRESSURE GAUGES 35

STEEL BOOM CLAMPS 35

SOLENOID VALVES 36

WIRING HARNESS 36

ROPE WICK 37

String Wing (5ft. assembly)
Weed Thief (hand held wick)
Cone Washer
Adapter (through hole)
Standard Fitting Assembly
Replacement Wick Kit

ATV STRING WING 38

WONDER WINDER Extension Cord Winder 39

CUSTOM MOLDING 40

PACKAGING/MERCHANDISING 41-42

PRESSURE & TEMP. RATING 43

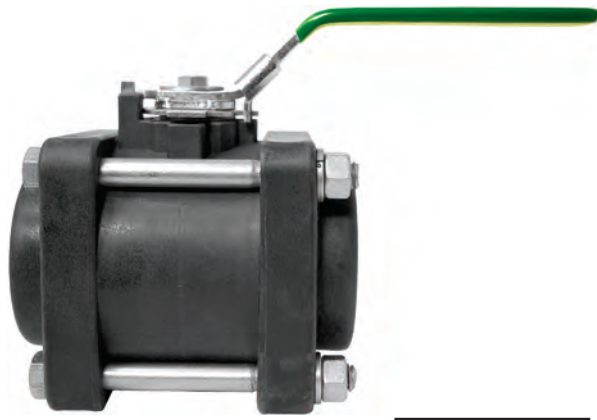
CHEMICAL RESISTANCE CHARTS 44-48

WEBSITE INFO 49

ORDER FORM 50

CUSTOMER SURVEY 51

SALES CONTACT 52



VX 4 BOLT



VX 6 BOLT

THE X S.E.R.I.E.S



VXN 204 FP

- Gravity-Slide Self Locking Handles
- Locks in Open and Close Position

Four Bolt Valves

PART #	DESCRIPTION
VX 050 FP	1/2" Full Port
VX 075 FP	3/4" Full Port
VX 100	1" Standard Port
VX 100 FP	1" Full Port
VX 125	1 1/4" Standard Port
VX 125 FP	1 1/4" Full Port
VX 150 FP	1 1/2" Full Port
VX 200	2" Standard Port

Six Bolt Valves

PART #	DESCRIPTION
VX 200 FP	2" Full Port
VX 300	3" Standard Port
VX 300 FP	3" Full Port
VX 400	4" Standard Port
VX 400 FP	4" Full Port

Nozzle Valves - 4 Bolt

PART #	DESCRIPTION
VXN 150 FP	1 1/2" Full Port Nozzle Valve with 90° Elbow
VXN 200	2" Standard Port Nozzle Valve with 90° Elbow

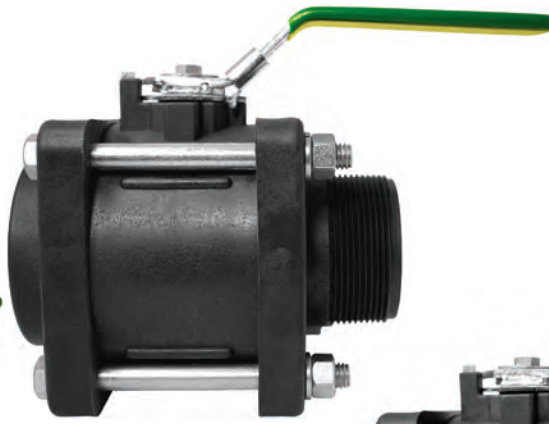
Nozzle Valves - 6 Bolt

PART #	DESCRIPTION
VXN 200 FP	2" Full Port Nozzle Valve with 90° Elbow

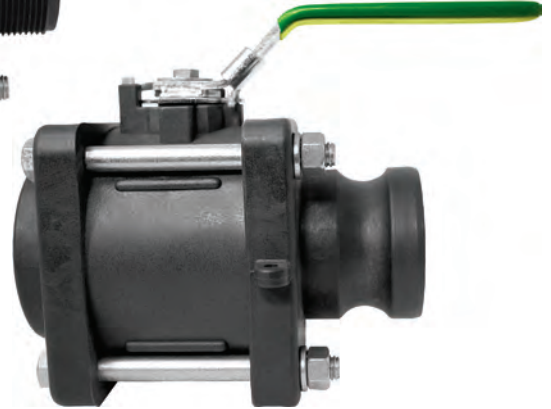
STEEL HANDLED BALL VALVES



VX 204 FP



VXM 204 FP



VXA 204 FP



VXMA 204 FP



VXMM 204 FP

X SERIES features

- Stainless Steel Bolts
- Stainless Steel Handles with New Ergonomic Design and Locking feature for added safety. (VX 204 Series also available with T Handle)
- Precision molded in polypropylene. Polypropylene is reinforced with fiberglass for additional strength.
- Self-aligning ball moves freely against the Teflon® seats for smooth operation.
The valve opens and closes with little pressure on the handle.
- Ball is diamond turned, after molding, to make it spherically perfect, which provides precise contact between ball and seats.
- Viton® "O" rings.
- Teflon® self-lubricating stem bushings and seats cannot stick or bind.
- 4 Bolt — Maximum operating pressure 150 PSI@ 70°F. 75 PSI@ 150°F.
- 6 Bolt — Maximum operating pressure 100 PSI@ 70°F. 75 PSI@ 150°F.

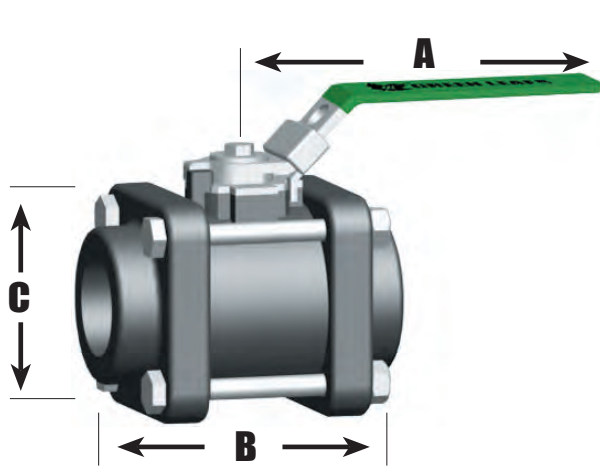
Xtra Small Valves "XS Valves"

PART #	DESCRIPTION
VX 204 FP	2" Female NPT x 2" Female NPT, Full Port
VXM 204 FP	2" Female NPT x 2" Male NPT, Full Port
VXA 204 FP	2" Female NPT x 2" Male Adapter, Full Port

**** Plastic T-handles available by request for 204 XS Series only.**

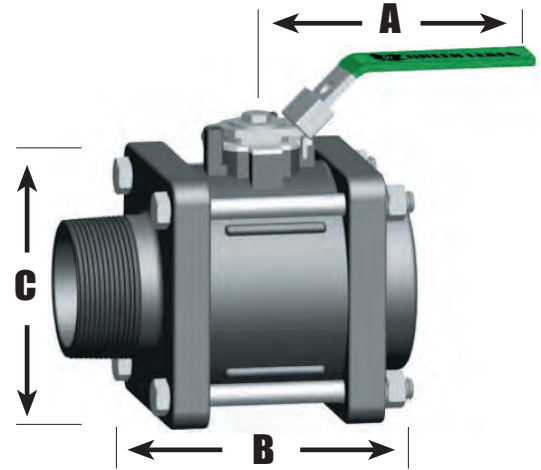


VX Ball Valves Dimensional Data



**4 & 6 Bolt:
Dimensional Data**

Part #	Dimensions (Inches)		
	A	B	C
VX 050 FP	4.17	3.43	2.52
VX 075 FP	4.17	3.43	2.52
VX 100	4.17	3.43	2.52
VX 100 FP	4.17	4.09	2.99
VX 125	4.17	4.09	2.99
VX 125 FP	4.65	4.61	3.54
VX 150 FP	4.65	4.61	3.54
VX 200	4.65	4.61	3.54
VX 200 FP	11.02	5.35	4.80
VX 300	11.02	5.98	5.55
VX 300 FP	11.02	6.61	6.30
VX 400	11.02	7.99	7.17



**XS Series:
Dimensional Data**

Part #	Dimensions (Inches)		
	A	B	C
VX 2015 RP	5.39	4.88	4.17
VX 204 FP	5.39	4.88	4.17
VXM 204 FP	5.39	5.63	4.17
VXA 204 FP	5.39	6.14	4.17
VXMA 204 FP	5.39	6.89	4.17
VXMM 204 FP	5.39	6.38	4.17

Replacement Parts VX Ball Valves

DESCRIPTION	PART #
Valve Repair Kit - 1/2" FP & 3/4" FP	VX 10200
Valve Repair Kit - 1" FP	VX 15200
Valve Repair Kit - 1-1/4", 1-1/2" & 2" SP	VX 20200
Valve Repair Kit - 2" FP	VX 25200
Valve Repair Kit - 3" SP	VX 30200
Valve Repair Kit - 3" FP	VX 35200
Valve Repair Kit - 4" SP	VX 40200
Valve Repair Kit - 4" FP	VX 45200
Valve Repair Kit - 204 Series	VX 20400
Valve Repair Kit - 1-1/2"FP & 2" SP Nozzle Valve	VX 20200
Valve Repair Kit - 2" FP Nozzle Valve	VX 25200

STEEL
HANDLED
BALL
VALVES



4 Bolt Series



V 204 FP



6 Bolt Series

- Stainless Steel Bolts
- Precision molded in polypropylene.
Polypropylene is reinforced with fiberglass for additional strength.
- Self-aligning ball moves freely against the Teflon® seats for smooth operation.
The valve opens and closes with little pressure on the handle.
- Ball is diamond turned, after molding, to make it spherically perfect, which provides precise contact between ball and seats.
- Viton® “O” rings.
- Teflon® self-lubricating stem bushings and seats cannot stick or bind.
- 4 Bolt — Maximum operating pressure 150 PSI@ 70°F. 75 PSI@ 150°F.
- V 204 FP — Maximum operating pressure 125 PSI@ 70°F. 75 PSI@ 150°F.
- 6 Bolt — Maximum operating pressure 100 PSI@ 70°F. 75 PSI@ 150°F.

Four Bolt Valves

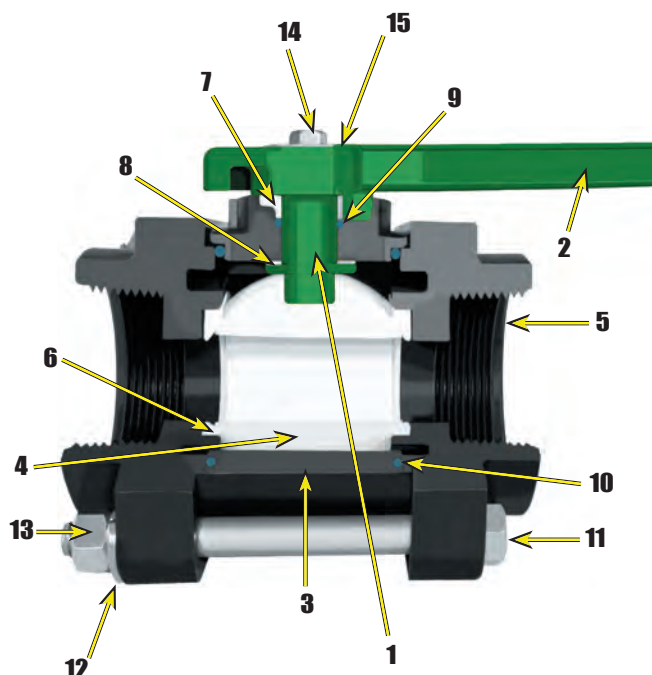
PART #	DESCRIPTION	MAXIMUM PSI	OPENING THRU BALL
V 125 FP	1 1/4" Full Port	150 psi @ 70° F	1 1/2"
V 150 FP	1 1/2" Full Port	150 psi @ 70° F	1 1/2"
V 200	2" Standard Port	150 psi @ 70° F	1 1/2"
V 204 FP	2" Female Full Port	125 psi @ 70° F	2"

Six Bolt Valves

PART #	DESCRIPTION	MAXIMUM PSI	OPENING THRU BALL
V 200 FP	2" Full Port	150 psi @ 70° F	2"



Replacement Parts: 4 Bolt & 6 Bolt Valves



REF#	DESCRIPTION	PART #
1	Stem - 4 Bolt Series	V 20151
1	Stem - 6 Bolt Series	V 25151
2	Handle Straight - 4 Bolt Series	V 20153
2	Handle Straight - 6 Bolt Series	V 25153
3	Body - 4 Bolt Series	V 20254
3	Body - V 200 FP / V 204 FP	V 25254
3	Body - V 300	V 30254
3	Body - V 300 FP	V 35254
4	Ball - 4 Bolt Series	V 20255
4	Ball - V 200 FP / V 204 FP	V 25255
4	Ball - V 300	V 30255
4	Ball - V 300 FP	V 35255
5	1 1/4" End Plate - V 125 FP	V 20267
5	1 1/2" End Plate - V 150 FP	V 20257
5	2" End Plate - V 200	V 20256
5	2" End Plate - V 204 FP	V 24256
5	2" End Plate - V 200 FP	V 25256
5	3" End Plate - V 300	V 30264
5	3" End Plate - V 300 FP	V 35264
6	Teflon® Seats - 4 Bolt Series	V 20258
6	Teflon® Seats - V 200 FP / V 204 FP	V 25258
6	Teflon® Seats - V 300	V 30258
6	Teflon® Seats - V 300 FP	V 35258
7	Upper Stem Bushing - 4 Bolt Series	V 20159
7	Upper Stem Bushing - 6 Bolt Series / V 204 FP	V 25160
8	Thrust Washer - 4 Bolt Series	V 20060
8	Thrust Washer - 6 Bolt Series / V 204 FP	V 25060
9	Stem O-Ring (Viton®) - 4 Bolt Series	V 20163
9	Stem O-Ring (Viton®) - 6 Bolt Series/V204FP	V 25163
10	Valve Body O-Ring (Viton®) - 4 Bolt Series	V 20264
10	Valve Body O-Ring (Viton®) - V200 FP/V204FP	V 25264
10	Valve Body O-Ring (Viton®) - V 300	V 30265
10	Valve Body O-Ring (Viton®) - V 300 FP	V 35265
11	3/8" S.S. Bolt - 4 Bolt Series	V 20017
11	3/8" S.S. Bolt - V 200 FP / V 204 FP	V 25017
11	3/8" S.S. Bolt - V 300	V 30017
11	3/8" S.S. Bolt - V 300 FP	V 35017
12	3/8" S.S. Lock Washer - 4 & 6 Bolt Series	V 20018
13	3/8" S.S. Nut - 4 & 6 Bolt Series	V 20019
14	S.S. Handle Bolt - 4 & 6 Bolt Series	V 20020
15	S.S. Handle Washer - 4 & 6 Bolt Series	V 20021
	Valve Repair Kit - 4 Bolt Series	V 20200
	Valve Repair Kit - V 200 FP	V 25200
	Valve Repair Kit - V 204 FP	V 20400
	Valve Repair Kit - V 300	V 30200
	Valve Repair Kit - V 300 FP	V 35200

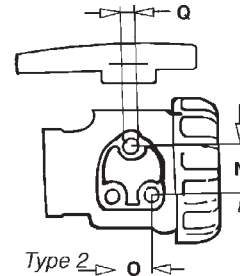
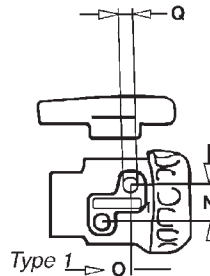
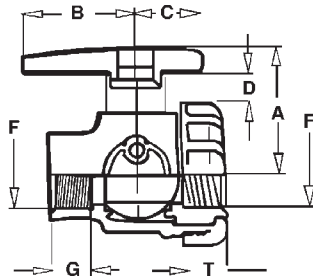
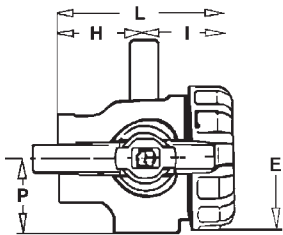
* Parts highlighted in gray are included in kits.



Single Union Ball Valves

- Sturdy Construction, fiberglass reinforced polypropylene body
- PTFE seats for smooth operation.
- E.P.D.M. seals standard
- 125 P.S.I. @ 140° F

PART #	SIZE
SU 050 E	1/2"
SU 075 E	3/4"
SU 100 E	1"
SU 125 E	1 1/4"
SU 150 E	1 1/2"
SU 200 E	2"



F/F NPT Threads (F)	Type	Dimensions (Inches)													
		A	B	C	D	E	G	H	I	L	N	O	P	Q	T
1/2"		2.36	1.65	1.65	0.63	2.32	0.91	1.71	1.75	3.46					0.91
3/4"		2.36	1.65	1.65	0.63	2.32	0.91	1.71	1.75	3.46					0.91
1"	I	2.87	1.65	2.09	0.79	2.72	0.91	1.83	2.05	3.88	0.98	0.79	1.46	0.31	0.98
1 1/4"	I	3.15	1.65	3.03	0.79	3.23	0.98	2.11	2.17	4.27	0.98	0.79	1.69	0.31	1.02

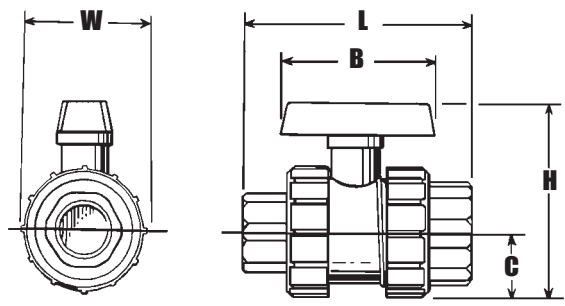


- True Union, in-line repairable
- Sturdy construction, chemical couple polypropylene
- Precision machined ball & multiple "O" rings seals prevent leaking
- 125 P.S.I. @ 140° F
- PTFE filled Polyethylene Seats
- E.P.D.M. seals standard (optional for Viton® & Buna seals)
- Optional Lever Handles

True Union Ball Valve

PART #	SIZE	DESCRIPTION
TU 050 E	1/2"	Full Port (T handle)
TU 050 EL	1/2"	Full Port (lever handle)
TU 075 E	3/4"	Full Port (T handle)
TU 075 EL	3/4"	Full Port (lever handle)
TU 100 E	1"	Standard Port (T handle)
TU 100 EL	1"	Standard Port (lever handle)
TU 125 E	1-1/4"	Full Port (T handle)
TU 125 EL	1-1/4"	Full Port (lever handle)
TU 150 E	1-1/2"	Full Port (T handle)
TU 150 EL	1-1/2"	Full Port (lever handle)
TU 200 E	2"	Standard Port (T handle)
TU 200 EL	2"	Standard Port (lever handle)

SIZE	B	L	H	C	W
1 1/4", 1 1/2", 2"	4 1/4"	6 1/4"	5 1/2"	1 7/8"	3 3/4"
1/2", 3/4", 1"	3 1/2"	4 3/4"	3 3/8"	1 1/8"	2 3/8"



HM Quick Shut Off Valve

One quarter turn polypropylene ball valve. Used in liquid plumbing applications as a quick shut off valve.

PART #	DESCRIPTION
HM 50 B	1/2" FPT With Buna "O" Ring
HM 75 B	3/4" FPT With Buna "O" Ring
HM 38 V	3/8" FPT With Viton® "O" Ring



Optional Lever Handle (True Union) |||

PART #	DESCRIPTION
TU 25	Lever handle for Small Valve (1/2" thru 1")
TU 26	Lever handle for Large Valve (1 1/4" thru 2")



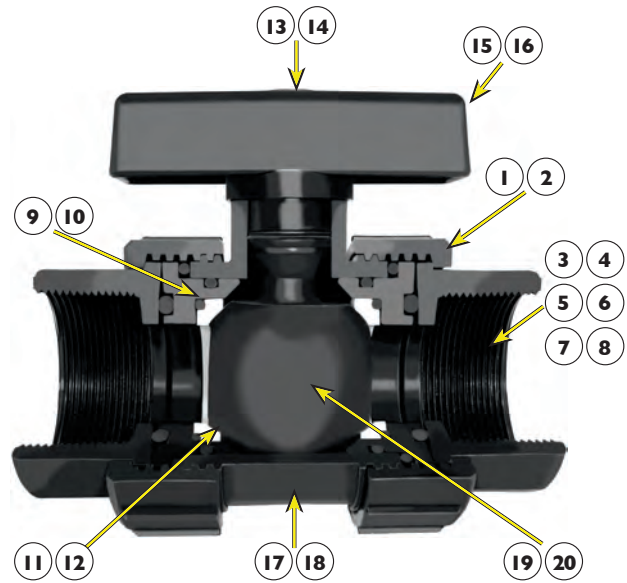
Valve Repair Kit (True Union) |||

PART #	DESCRIPTION
TUES	9 - EPDM "O" Rings for 1/2" thru 1"
TUEL	9 - EPDM "O" Rings for 1 1/4" thru 2"

* For Viton® or Buna "O" Rings — contact the sales dept.

Individual Parts (True Union) |||

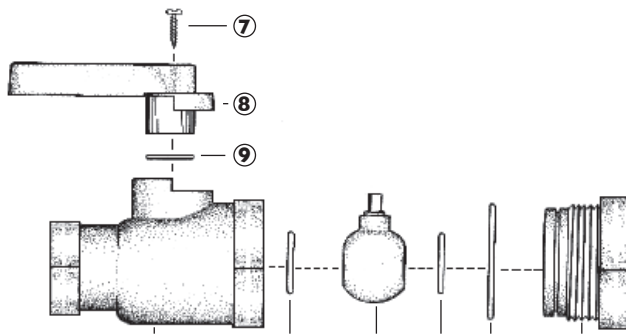
REF #	PART #	DESCRIPTION & SIZE
1	TU 01	End Nut - Small (for 1/2" thru 1")
2	TU 02	End Nut - Large (for 1 1/4" thru 2")
3	TU 03	Thread Adapter - 1/2"
4	TU 04	Thread Adapter - 3/4"
5	TU 05	Thread Adapter - 1"
6	TU 06	Thread Adapter - 1 1/4"
7	TU 07	Thread Adapter - 1 1/2"
8	TU 08	Thread Adapter - 2"
9	TU 09	Seat Holder - Small (for 1/2" thru 1")
10	TU 10	Seat Holder - Large (for 1 1/4" thru 2")
11	TU 11	PTFE filled PE Seats - Small (for 1/2" thru 1")
12	TU 12	PTFE filled PE Seats - Large (for 1 1/4" thru 2")
13	TU 13	Screw - Small (for 1/2" thru 1")
14	TU 14	Screw - Large (for 1 1/4" thru 2")
15	TU 15	Tee Handle - Small (for 1/2" thru 1")
16	TU 16	Tee Handle - Large (for 1 1/4" thru 2")
17	TU 17	Body - Small (for 1/2" thru 1")
18	TU 18	Body - Large (for 1 1/4" thru 2")
19	TU 19	Small Ball - Small (for 1/2" thru 1")
20	TU 20	Large Ball - Large (for 1 1/4" thru 2")



Small = 1/2", 3/4", 1"
Large = 1 1/4", 1 1/2", 2"

Individual Parts (HM Quick Shut Off Valve) |||

REF #	DESCRIPTION
1	End Cap
2	"O" Ring End Cap
3	"O" Ring Ball
4	Ball
5	"O" Ring Ball
6	Body
7	Screw
8	Handle
9	"O" Ring Stem





Dispensing Nozzle |||

Glass Filled Polypropylene — Stainless Steel Handle, Spring and Pin

PART #	DESCRIPTION
VN 100	1" Poly Dispensing Nozzle, 75 PSI max



Swivel Fitting |||

75 PSI Maximum

PART #	DESCRIPTION
SW 100	1" Male x 1" Female Swivel
SW 150	1 1/2" Male x 1 1/2" Female Swivel
SW 200	2" Male x 2" Female Swivel



Specifications:

- 1/2" through 2" maximum operating pressure 125 psi @ 70° F.
- 3" and 4" maximum operating pressure 90 psi @ 70° F.
- EPDM Gaskets
- 1/2" series couplings interchange with 3/4" size couplings. Coupling ends are 3/4" size.
- 1-1/4" series couplings interchange with 1" size couplings. Coupling ends are 1" size.

Green Leaf®, Inc. has brought exciting innovations to a product that has existed for years without change. These innovations have prepared this product for use in the 21st century while maintaining interchangeability with other designs.

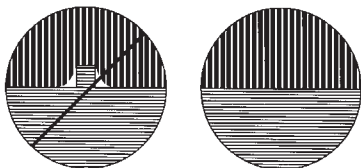
Some features include:

ENHANCED SAFETY-

Exclusive Cam Lever Locking Mechanism helps to reduce the possibility of unintentionally opening the cam levers, which could result in personal injury and costly spills.

SMOOTH SEALING SURFACE-

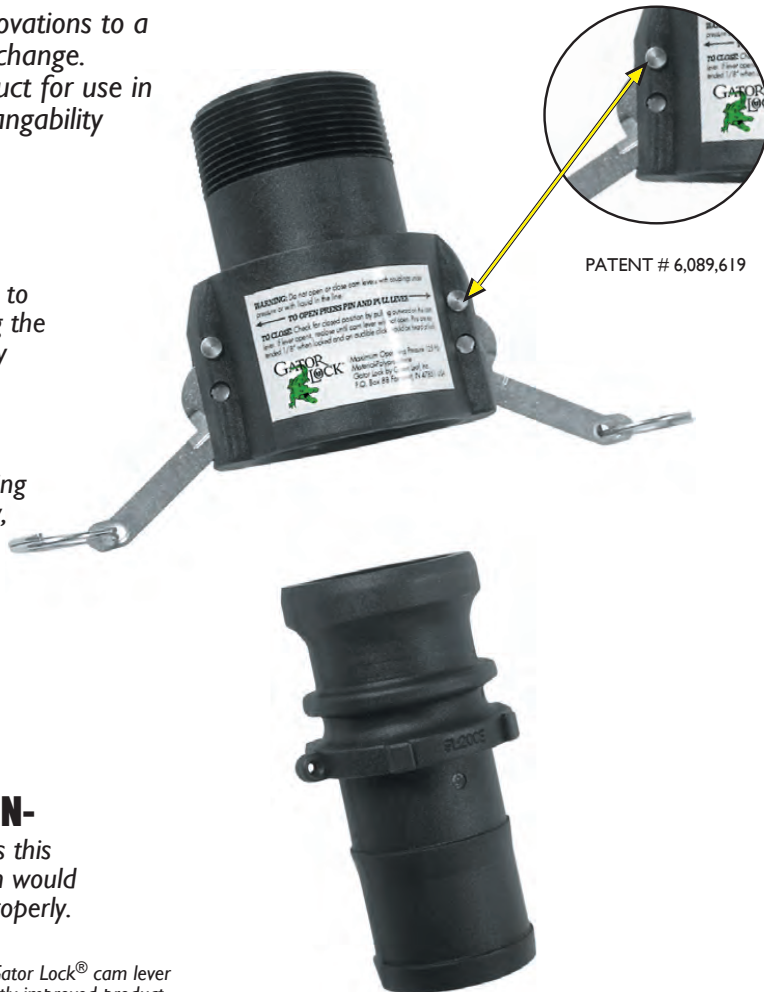
Parting lines have been removed from the sealing area of the male couplings, as illustrated below, this reduces the possibility of leaks and wear to the rubber seal.



EXPANDED PRODUCT APPLICATION-

By extending the nipple length of the "B" series this coupling can now be used in applications which would normally require an additional fitting to cam properly.

These improvements and many others have been made to the Gator Lock® cam lever couplings which allows Green Leaf®, Inc. to offer you a significantly improved product at a price that is competitive to products without these improvements



PATENT # 6,089,619

A SERIES

SIZE & DESCRIPTION	PART #
Male Adapter/ 1/2"- Female Thread	GLP 050 A
Male Adapter/ 3/4"- Female Thread	GLP 075 A
Male Adapter/ 1"- Female Thread	GLP 100 A
Male Adapter/ 1 1/4"- Female Thread	GLP 125 A
Male Adapter/ 1 1/2"- Female Thread	GLP 150 A
Male Adapter/ 1 3/4"- Female Thread	GLP 150125 A
Male Adapter/ 2"- Female Thread	GLP 200 A
Male Adapter/ 3"- Female Thread	GLP 300 A



CAM LEVER COUPLINGS



Specifications:

- 1/2" through 2" maximum operating pressure 125 psi @ 70° F.
- 3" and 4" maximum operating pressure 90 psi @ 70° F.
- EPDM Gaskets
- 1/2" series couplings interchange with 3/4" size couplings. Coupling ends are 3/4" size.
- 1-1/4" series couplings interchange with 1" size couplings. Coupling ends are 1" size.



SERIES "B"

B SERIES

SIZE & DESCRIPTION	PART #	PART #
	LOCKING	NON-LOCKING
Female Coupler/ 1/2"- Male Thread	GLP 050 B	GLP 050 B NL
Female Coupler/ 3/4"- Male Thread	GLP 075 B	GLP 075 B NL
Female Coupler/ 1"- Male Thread	GLP 100 B	GLP 100 B NL
Female Coupler/ 1 1/4"- Male Thread	GLP 125 B	GLP 125 B NL
Female Coupler/ 1 1/2"- Male Thread	GLP 150 B	GLP 150 B NL
Female Coupler/ 1 1/4"- Male Thread		GLP 150125 B NL
Female Coupler/ 2"- Male Thread	GLP 200 B	GLP 200 B NL
Female Coupler/ 3"- Male Thread		GLP 300 B NL
Female Coupler/ 4"- Male Thread		GLP 400 B NL



SERIES "C"

C SERIES

SIZE & DESCRIPTION	PART #	PART #
	LOCKING	NON-LOCKING
Female Coupler/ 1/2"- Hose Shank	GLP 050 C	GLP 050 C NL
Female Coupler/ 3/4"- Hose Shank	GLP 075 C	GLP 075 C NL
Female Coupler/ 1"- Hose Shank	GLP 100 C	GLP 100 C NL
Female Coupler/ 1 1/4"- Hose Shank	GLP 125 C	GLP 125 C NL
Female Coupler/ 1 1/2"- Hose Shank	GLP 150 C	GLP 150 C NL
Female Coupler/ 1 1/4"- Hose Shank		GLP 150125 C NL
Female Coupler/ 2"- Hose Shank	GLP 200 C	GLP 200 C NL
Female Coupler/ 3"- Hose Shank		GLP 300 C NL
Female Coupler/ 4"- Hose Shank		GLP 400 C NL



SERIES "D"

D SERIES

SIZE & DESCRIPTION	PART #	PART #
	LOCKING	NON-LOCKING
Female Coupler/ 1/2"- Female Thread	GLP 050 D	GLP 050 D NL
Female Coupler/ 3/4"- Female Thread	GLP 075 D	GLP 075 D NL
Female Coupler/ 1"- Female Thread	GLP 100 D	GLP 100 D NL
Female Coupler/ 1 1/4"- Female Thread	GLP 125 D	GLP 125 D NL
Female Coupler/ 1 1/2"- Female Thread	GLP 150 D	GLP 150 D NL
Female Coupler/ 1 1/4"- Female Thread		GLP 150125 D NL
Female Coupler/ 2"- Female Thread	GLP 200 D	GLP 200 D NL
Female Coupler/ 3"- Female Thread		GLP 300 D NL
Female Coupler/ 4"- Female Thread		GLP 400 D NL



SERIES "E"

E SERIES

SIZE & DESCRIPTION	PART #
Male Adapter/ 1/2" - Hose Shank	GLP 050 E
Male Adapter/ 3/4" - Hose Shank	GLP 075 E
Male Adapter/ 1" - Hose Shank	GLP 100 E
Male Adapter/ 1 1/4" - Hose Shank	GLP 125 E
Male Adapter/ 1 1/2" - Hose Shank	GLP 150 E
Male Adapter/ 1 1/4" - Hose Shank	GLP 150125 E
Male Adapter/ 2" - Hose Shank	GLP 200 E
Male Adapter/ 3" - Hose Shank	GLP 300 E
Male Adapter/ 4" - Hose Shank	GLP 400 E



SERIES "F"

F SERIES

SIZE & DESCRIPTION	PART #
Male Adapter/ 1/2" - Male Thread	GLP 050 F
Male Adapter/ 3/4" - Male Thread	GLP 075 F
Male Adapter/ 1" - Male Thread	GLP 100 F
Male Adapter/ 1 1/4" - Male Thread	GLP 125 F
Male Adapter/ 1 1/2" - Male Thread	GLP 150 F
Male Adapter/ 1 1/4" - Male Thread	GLP 150125 F
Male Adapter/ 2" - Male Thread	GLP 200 F
Male Adapter/ 3" - Male Thread	GLP 300 F
Male Adapter/ 4" - Male Thread	GLP 400 F



"PL" SERIES

PL SERIES

SIZE & DESCRIPTION	PART #
1/2" - Plug for Female Coupler	GLP 050 PL
3/4" - Plug for Female Coupler	GLP 075 PL
1" - Plug for Female Coupler	GLP 100 PL
1 1/4" - Plug for Female Coupler	GLP 125 PL
1 1/2" - Plug for Female Coupler	GLP 150 PL
2" - Plug for Female Coupler	GLP 200 PL
3" - Plug for Female Coupler	GLP 300 PL
4" - Plug for Female Coupler	GLP 400 PL



"CAP" SERIES

CAP SERIES

SIZE & DESCRIPTION	PART #	
	LOCKING	NON-LOCKING
1/2" - CAP for Male Adapter	GLP 050 CAP	GLP 050 CAP NL
3/4" - CAP for Male Adapter	GLP 075 CAP	GLP 075 CAP NL
1" - CAP for Male Adapter	GLP 100 CAP	GLP 100 CAP NL
1 1/4" - CAP for Male Adapter	GLP 125 CAP	GLP 125 CAP NL
1 1/2" - CAP for Male Adapter	GLP 150 CAP	GLP 150 CAP NL
2" - CAP for Male Adapter	GLP 200 CAP	GLP 200 CAP NL



Specifications:
 — 1/2" through 2" maximum operating pressure 125 psi @ 70° F.
 — 3" and 4" maximum operating pressure 90 psi @ 70° F.
 — EPDM Gaskets
 — 1/2" series couplings interchange with 3/4" size couplings. Coupling ends are 3/4" size.
 — 1-1/4" series couplings interchange with 1" size couplings. Coupling ends are 1" size.



SPOOL ADAPTER

SIZE & DESCRIPTION	PART #
	NON - LOCKING
2" Spool Adapter	GLP 200 SA

45° F

SIZE & DESCRIPTION	PART #
	NON - LOCKING
45° 2" Male Adapter/ 2" Male Thread	GLP 200 F45



90° SERIES

SIZE & DESCRIPTION	PART #
	NON - LOCKING
90° Male Adapter/ 1 1/2" Female Thread	GLP 150 AL
90° Male Adapter/ 2" Female Thread	GLP 200 AL
90° Female Coupler/ 1 1/2" Hose Shank	GLP 150 CL NL
90° Female Coupler/ 2" Hose Shank	GLP 200 CL NL
90° Female Coupler/ 1 1/2" Female Thread	GLP 150 DL NL
90° Female Coupler/ 2" Female Thread	GLP 200 DL NL
90° Male Adapter/ 1 1/2" Male Thread	GLP 150 FL
90° Male Adapter/ 2" Male Thread	GLP 200 FL



REPLACEMENT GASKET

SIZE & DESCRIPTION	PART #
1/2" & 3/4" EPDM Replacement Gasket	90043
1" & 1 1/4" EPDM Replacement Gasket	90042
1 1/2" EPDM Replacement Gasket	90041



**Reinforced Polypropylene
Arms with Lifetime
Warranty**

**C
A
M
L
E
V
E
R
C
O
U
P
L
I
N
G
S**



SERIES "C"



SERIES "D"



SERIES "B"



"CAP" SERIES

Green Arm Couplings

- Same features as Green Leaf's® original Gator Lock® Couplings, but with the Economical Plastic Arms
- Glass-Filled Polypropylene
- Arms have Lifetime Warranty
- Maximum operating pressure 90 psi @ 70° F
- Non-Locking
- EPDM Gaskets
- 1-1/2" and 2" sizes available

ITEM	DESCRIPTION	1 1/2"	2"
B	Female Coupler/Male Thread	GLP 150 B NLP	GLP 200 B NLP
C	Female Coupler/Hose Shank	GLP 150 C NLP	GLP 200 C NLP

GOODYEAR
RUBBER PRODUCTS INC.

Call Toll Free: 1-866-711-4673
WebSales@GoodyearRubberProducts.com

**We Ship
World Wide**

DRY DISCONNECTS

Dry Poppet Couplings

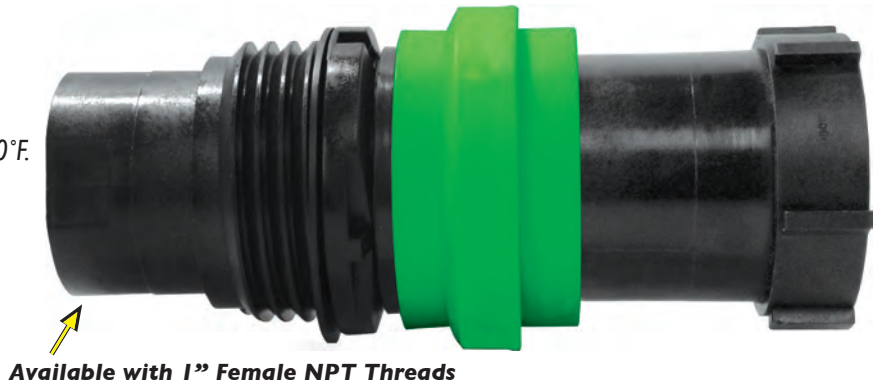
Features:

- Lightweight.
- Minimal fluid spillage.
- Easy to use.
- Economical.
- Reduces risk of exposure.
- Wide range of chemical resistance.
- Maximum operating pressure 70 P.S.I. @ 70°F.
- Maximum operating temperature 150°F.
- 30 GPM maximum flow.
- Precision molded in polypropylene.
- 1" Female NPT threads.

Applications:

- Agriculture
- Industrial
- Pharmaceutical
- Chemical processing

**PULL BACK
TO DISCONNECT!**



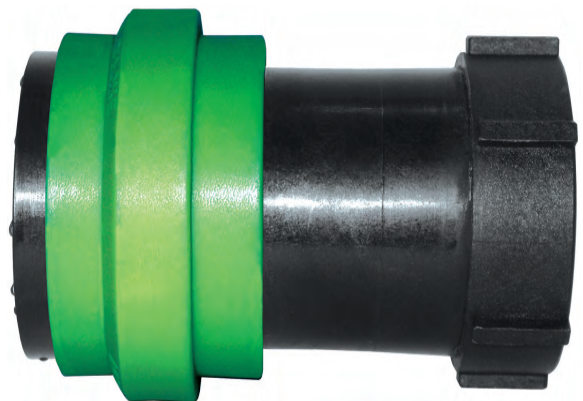
Male Adapter & Female Coupler shown coupled together.
Male Adapter & Female Coupler sold separately as shown below.

PART #	DESCRIPTION
QD 100 F	Female Dry Poppet Coupler, 1" Female NPT Threads FKM (viton type) Seals
QD 100 M	Male Dry Poppet Adapter, 1" Female NPT Threads FKM (viton type) Seals

Male Adapter Dry Poppet — QD 100 M



Female Coupling Dry Poppet — QD 100 F

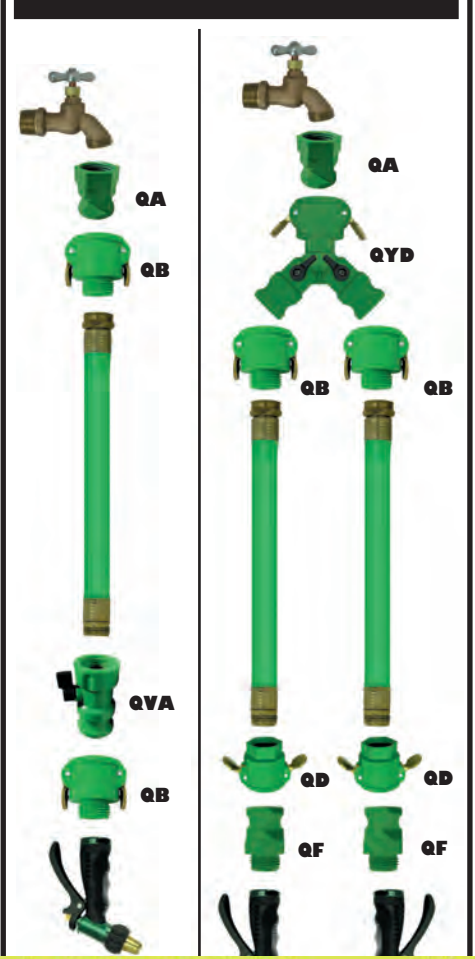




SPECIAL RETAIL PACKAGING AVAILABLE



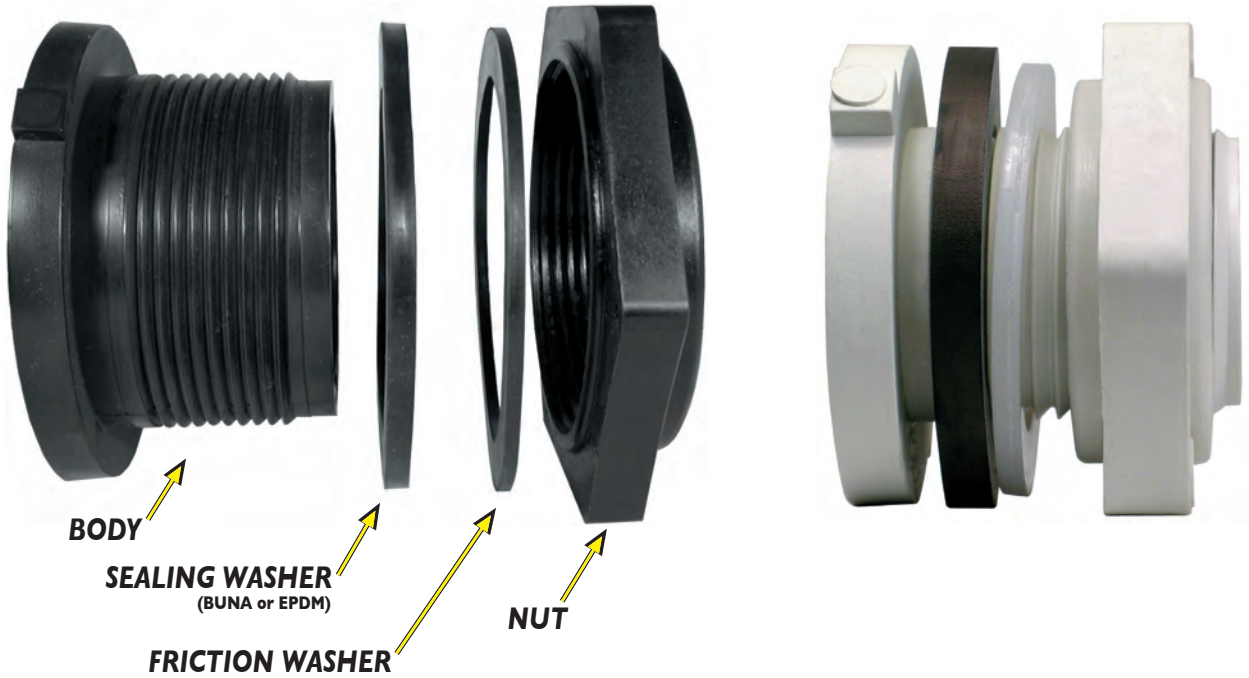
Suggested Configurations



Garden Hose Couplings
 Polypropylene Garden Hose Couplings used to connect a FGHT to a MGHT

PART #	SIZE & DESCRIPTION
GLP 075 QVA	3/4" FGHT x 3/4" Male Adapter with On-Off Valve
GLP 075 QA	3/4" FGHT x 3/4" Male Adapter
GLP 075 QB	3/4" MGHT x 3/4" Female Adapter
GLP 075 QD	3/4" FGHT x 3/4" Female Coupler
GLP 075 QF	3/4" MGHT x 3/4" Male Adapter
GLP 075 QYD	3/4" Female Coupler x (2) 3/4" Male Adapter

C
A
M
L
E
V
E
R
C
O
U
P
L
I
N
G
S



Bulkhead Fitting

External Thread and nut are left hand threads.
Internal Thread is FPT.

For use with tanks having a wall thickness of 1/16" to 1/2".

Material:

- Body and Nut are either Nylon (N) or Polypropylene (P)
- Friction washer is Polyethylene
- Sealing washer is either Buna (B) or EPDM (E).

Nylon, Buna and Polyethylene used in manufacturing are FDA approved grade.

PART #		THREAD	WASHER	HOLE SIZE
INTERNAL SEALING				
NYLON	POLYPROPYLENE			
TF 12 N-B	TF 12 P-B	1/2" FPT	BUNA	1 1/2"
TF 12 N-E	TF 12 P-E	1/2" FPT	EPDM	1 1/2"
TF 34 N-B	TF 34 P-B	3/4" FPT	BUNA	1 1/2"
TF 34 N-E	TF 34 P-E	3/4" FPT	EPDM	1 1/2"
	TF 100 P-E	1" FPT	EPDM	2 3/8"
	TF 125 P-E	1 1/4" FPT	EPDM	2 3/8"
	TF 150 P-E	1 1/2" FPT	EPDM	3"
	TF 200 P-E	2" FPT	EPDM	3 1/8"
	TF 300 P-E	3" FPT	EPDM	4 1/2"
	TF 400 P-E	4" FPT	EPDM	5 3/4"



Steel Plated Combination Nipples

PART #	SIZE & DESCRIPTION
CN 050 SP	1/2" Hose Barb x NPT Thread
CN 075 SP	3/4" Hose Barb x NPT Thread
CN 100 SP	1" Hose Barb x NPT Thread
CN 125 SP	1 1/4" Hose Barb x NPT Thread
CN 150 SP	1 1/2" Hose Barb x NPT Thread
CN 200 SP	2" Hose Barb x NPT Thread



Heavy Duty Poly Combination Nipples

PART #	SIZE & DESCRIPTION
CN 050 P	1/2" Hose Barb x 1/2" NPT Thread
CN 075-050 P	3/4" Hose Barb x 1/2" NPT Thread
CN 075 P	3/4" Hose Barb x 3/4" NPT Thread
CN 075-100 P	3/4" Hose Barb x 1" NPT Thread
CN 100-075 P	1" Hose Barb x 3/4" NPT Thread
CN 100 P	1" Hose Barb x 1" NPT Thread
CN 100-125 P	1" Hose Barb x 1 1/4" NPT Thread
CN 125-100 P	1 1/4" Hose Barb x 1" NPT Thread
CN 125 P	1 1/4" Hose Barb x 1 1/4" NPT Thread
CN 150-125 P	1 1/2" Hose Barb x 1 1/4" NPT Thread
CN 150 P	1 1/2" Hose Barb x 1 1/2" NPT Thread
CN 150-200 P	1 1/2" Hose Barb x 2" NPT Thread
CN 200-150 P	2" Hose Barb x 1 1/2" NPT Thread
CN 200 P	2" Hose Barb x 2" NPT Thread
CN 300 P	3" Hose Barb x 3" NPT Thread



Pin Lug Couplers

- Pin Lug Hose Shank Couplers (Full Sets)
- Aluminum Shank with Brass Swivel Nut

PART #	DESCRIPTION
PL 150 DP	1 1/2"
PL 200 DP	2"



Replacement Gaskets

PART #	DESCRIPTION
PG 150 NBR	1 1/2" Gasket
PG 200 NBR	2" Gasket



Line Filters

- Polypropylene Body
- EPDM Gaskets
- Stainless Steel Screens

Available in 40 & 80 Mesh

PART #	DESCRIPTION
LST 050 40	1/2" Poly T-Strainer 40 Mesh
LST 050 80	1/2" Poly T-Strainer 80 Mesh
LST 075 40	3/4" Poly T-Strainer 40 Mesh
LST 075 80	3/4" Poly T-Strainer 80 Mesh
LST 100 40	1" Poly T-Strainer 40 Mesh
LST 100 80	1" Poly T-Strainer 80 Mesh
LST 125 40	1-1/4" Poly T-Strainer 40 Mesh
LST 125 80	1-1/4" Poly T-Strainer 80 Mesh
LST 150 40	1-1/2" Poly T-Strainer 40 Mesh
LST 150 80	1-1/2" Poly T-Strainer 80 Mesh

Replacement Gaskets & Screens Available



Strainers

Helps prevent debris from entering a suction line.
Sizes: 1-1/2" & 2"

Basket Suction Strainer

Polypropylene Strainer

PART #	DESCRIPTION
SR 150 P	1 1/2" FPT
SR 200 P	2" FPT
SR 300 P	3" FPT



Round Hole Steel Strainer

Zinc Plated, with standard Pipe Threads

PART #	DESCRIPTION
SR 125 SP	1 1/4" FPT
SR 150 SP	1 1/2" FPT
SR 200 SP	2" FPT
SR 300 SP	3" FPT



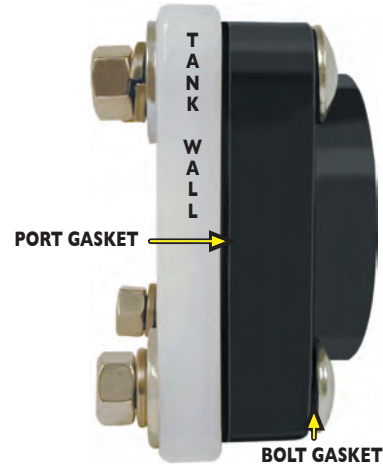
Outlet Flange (OF) |||

For use when access to inside of tank is available
Fits Tank Wall thickness from 1/4" - 1/2"

- Polypropylene Flanges
- Stainless Steel bolts, nuts & washers
- EPDM Gaskets

Sizes: 1-1/4", 1-1/2", 2" Standard Port, 2" Full Port

PART #	DESCRIPTION
OF 125	1 1/4" Full Port
OF 150	1 1/2" Full Port
OF 200	2" Standard Port
OF 200 FP	2" Full Port



Inside Bolt Seal Double Seal Flange (DS) |||

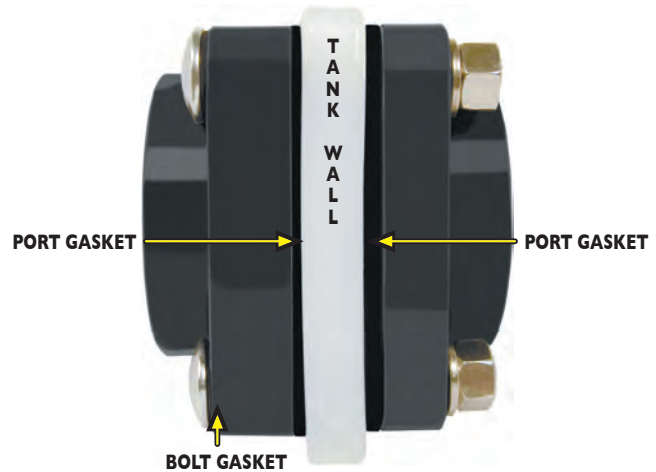
Nuts are tightened from outside of tank
Fits Tank Wall thickness from 1/4" - 1/2"

- Polypropylene Flanges
- Stainless Steel bolts, nuts & washers
- EPDM Gaskets

Sizes: 1-1/4", 1-1/2", 2" Standard Port, 2" Full Port

PART #	INLET	x	OUTLET
DS 125	2" SP*		1 1/4" Full Port
DS 150	2" SP*		1 1/2" Full Port
DS 200	2" SP*		2" Standard Port
DS 200 FP	2" Full Port		2" Full Port

*SP = 1 1/2" Port



Additional Flange Hardware |||

PART #	DESCRIPTION	QTY.
PG 1000	Port Gasket for Flange Fittings (EPDM)	ea.
BG 1000	Bolt Gasket for Flange Fittings (EPDM)	pk of 4
OF 1000	3/8" S.S. Bolt for OF Flange	ea.
OF 1001	3/8" S.S. Flat Washer for OF Flange	ea.
DS 1000	3/8" S.S. Bolt for DS Flange	ea.
F 20019	3/8" S.S. Nut	ea.
F 20018	3/8" S.S. Lock Washer	ea.



90 Degree Elbow

Used in fluid plumbing applications requiring 90 degree connection to a FPT fitting and a hose.



PART #		THREAD	BARB
NYLON	POLYPROPYLENE	MPT x BARB	
EL 18316		1/8"	3/16"
EL 1814	EL 1814 P	1/8"	1/4"
EL 1838		1/8"	3/8"
EL 1414	EL 1414 P	1/4"	1/4"
EL 14516		1/4"	5/16"
EL 1438	EL 1438 P	1/4"	3/8"
EL 1412	EL 1412 P	1/4"	1/2"
EL 1458	EL 1458 P	1/4"	5/8"
EL 3814	EL 3814 P	3/8"	1/4"
EL 38516		3/8"	5/16"
EL 3838	EL 3838 P	3/8"	3/8"
EL 3812	EL 3812 P	3/8"	1/2"
EL 3858	EL 3858 P	3/8"	5/8"
EL 1214	EL 1214 P	1/2"	1/4"
EL 1238	EL 1238 P	1/2"	3/8"
EL 1212	EL 1212 P	1/2"	1/2"
EL 1258	EL 1258 P	1/2"	5/8"
EL 1234	EL 1234 P	1/2"	3/4"
EL 3414	EL 3414 P	3/4"	1/4"
EL 3438	EL 3438 P	3/4"	3/8"
EL 3412	EL 3412 P	3/4"	1/2"
EL 3458	EL 3458 P	3/4"	5/8"
EL 3434	EL 3434 P	3/4"	3/4"
EL 3410	EL 3410 P	3/4"	1"
EL 1038	EL 1038 P	1"	3/8"
EL 1012	EL 1012 P	1"	1/2"
EL 1058	EL 1058 P	1"	5/8"
EL 1034	EL 1034 P	1"	3/4"
EL 1010	EL 1010 P	1"	1"
EL 1114	EL 1114 P	1"	1 1/4"
EL 114-34	EL 114-34 P	1 1/4"	3/4"
EL 1141	EL 1141 P	1 1/4"	1"
EL 114	EL 114 P	1 1/4"	1 1/4"
EL 114-112	EL 114-112 P	1 1/4"	1 1/2"
EL 112	EL 112 P	1 1/2"	1 1/2"
EL 200	EL 200 P	2"	2"



90 Degree Elbow

Used in fluid plumbing applications requiring 90 degree connection to a MPT fitting and a hose.

PART #		THREAD	BARB
NYLON	POLYPROPYLENE	FPT x BARB	
EL 1212 F	EL 1212 F P	1/2"	1/2"
EL 3412 F	EL 3412 F P	3/4"	1/2"



Straight Adapter

Used in fluid plumbing applications requiring straight connection to a FPT fitting and a hose.

PART #		THREAD	BARB
NYLON	POLYPROPYLENE	MPT x BARB	
A 18316		1/8" MPT	3/16"
A 1814	A 1814 P	1/8" MPT	1/4"
A 18516		1/8" MPT	5/16"
A 1838	A 1838 P	1/8" MPT	3/8"
A 1812	A 1812 P	1/8" MPT	1/2"
A 1414	A 1414 P	1/4" MPT	1/4"
A 14516		1/4" MPT	5/16"
A 1438	A 1438 P	1/4" MPT	3/8"
A 1412	A 1412 P	1/4" MPT	1/2"
A 1458	A 1458 P	1/4" MPT	5/8"
A 1434	A 1434 P	1/4" MPT	3/4"
A 3814	A 3814 P	3/8" MPT	1/4"
A 38516		3/8" MPT	5/16"
A 3838	A 3838 P	3/8" MPT	3/8"
A 3812	A 3812 P	3/8" MPT	1/2"
A 3858	A 3858 P	3/8" MPT	5/8"
A 3834	A 3834 P	3/8" MPT	3/4"
A 1214	A 1214 P	1/2" MPT	1/4"
A 1238	A 1238 P	1/2" MPT	3/8"
A 1212	A 1212 P	1/2" MPT	1/2"
A 1258	A 1258 P	1/2" MPT	5/8"
A 1234	A 1234 P	1/2" MPT	3/4"
A 1210	A 1210 P	1/2" MPT	1"
A 12-114	A 12-114 P	1/2" MPT	1 1/4"
A 3414	A 3414 P	3/4" MPT	1/4"
A 3438	A 3438 P	3/4" MPT	3/8"
A 3412	A 3412 P	3/4" MPT	1/2"
A 3458	A 3458 P	3/4" MPT	5/8"
A 3434	A 3434 P	3/4" MPT	3/4"
A 3410	A 3410 P	3/4" MPT	1"
A 34-114	A 34-114 P	3/4" MPT	1 1/4"
A 1038	A 1038 P	1" MPT	3/8"
A 1012	A 1012 P	1" MPT	1/2"
A 1058	A 1058 P	1" MPT	5/8"
A 1034	A 1034 P	1" MPT	3/4"
A 1010	A 1010 P	1" MPT	1"
A 1114	A 1114 P	1" MPT	1 1/4"
A 114-34	A 114-34 P	1 1/4" MPT	3/4"
A 1141	A 1141 P	1 1/4" MPT	1"
A 114	A 114 P	1 1/4" MPT	1 1/4"
A 114-112	A 114-112 P	1 1/4" MPT	1 1/2"
A 112-1	A 112-1 P	1 1/2" MPT	1"
A 112	A 112 P	1 1/2" MPT	1 1/2"
A 112-114	A 112-114 P	1 1/2" MPT	1 1/4"
A 112-200	A 112-200 P	1 1/2" MPT	2"
A 200-112	A 200-112 P	2" MPT	1 1/2"
A 200	A 200 P	2" MPT	2"
	A 300 P	3" MPT	3"





Insert Tee

Used in fluid plumbing applications requiring the connection of three hoses. Commonly called a branch tee or a feeder tee.



PART #		BARB 1	BARB 2	BARB 3
NYLON	POLYPROPYLENE			
T 18	T 18 P	1/8"	1/8"	1/8"
T 3160		3/16"	3/16"	3/16"
T 14	T 14 P	1/4"	1/4"	1/4"
T 38	T 38 P	3/8"	3/8"	3/8"
T 3812	T 3812 P	1/2"	1/2"	3/8"
T 12	T 12 P	1/2"	1/2"	1/2"
T 58	T 58 P	5/8"	5/8"	5/8"
T 3412	T 3412 P	1/2"	1/2"	3/4"
T 34	T 34 P	3/4"	3/4"	3/4"
T 100	T 100 P	1"	1"	1"
T 114	T 114 P	1 1/4"	1 1/4"	1 1/4"
T 112	T 112 P	1 1/2"	1 1/2"	1 1/2"
T 200	T 200 P	2"	2"	2"

Straight Adapter

Used in fluid plumbing applications requiring straight connection to a MPT fitting and a hose.



PART #		THREAD	BARB
NYLON	POLYPROPYLENE		
AF 1414		1/4" FPT	1/4"
AF 1438		1/4" FPT	3/8"
AF 3838	AF 3838 P	3/8" FPT	3/8"
	AF 3812 P	3/8" FPT	1/2"
AF 1212	AF 1212 P	1/2" FPT	1/2"
AF 1238	AF 1238 P	1/2" FPT	3/8"
	AF 1234 P	1/2" FPT	3/4"
AF 3412	AF 3412 P	3/4" FPT	1/2"
AF 3458	AF 3458 P	3/4" FPT	5/8"
AF 3434	AF 3434 P	3/4" FPT	3/4"



Cross Barb

Used in fluid applications requiring the connection of four hoses. Commonly called a junction fitting.

PART #		BARB
NYLON	POLYPROPYLENE	
X 14	X 14 P	1/4"



Flat Seat Hose Barb

Used with swivel nut B 3400 and washer W 406 shown on page 30 of this catalog. Combining the three pieces allows for a swivel connection of common size hoses.

PART #		BARB
NYLON	POLYPROPYLENE	
C 1800	C 1800 P	1/8"
C 1400	C 1400 P	1/4"
C 3800	C 3800 P	3/8"
C 1200	C 1200 P	1/2"



Straight Hose Mender

Used in fluid plumbing applications requiring the connection of two hoses. Commonly called a hose splice fitting or a shim fitting.

PART #		BARB 1	BARB 2
NYLON	POLYPROPYLENE	BARB x BARB	
SHM 1800	SHM 1800 P	1/8"	1/8"
SHM 3160	SHM 3160 P	3/16"	3/16"
SHM 1418		1/4"	1/8"
SHM 14316		1/4"	3/16"
SHM 1400	SHM 1400 P	1/4"	1/4"
SHM 5160	SHM 5160 P	5/16"	5/16"
SHM 3800	SHM 3800 P	3/8"	3/8"
SHM 3814	SHM 3814 P	3/8"	1/4"
SHM 1214	SHM 1214 P	1/2"	1/4"
SHM 1200	SHM 1200 P	1/2"	1/2"
SHM 1238	SHM 1238 P	1/2"	3/8"
SHM 1258	SHM 1258 P	1/2"	5/8"
SHM 5800	SHM 5800 P	5/8"	5/8"
SHM 3412		3/4"	1/2"
SHM 3400	SHM 3400 P	3/4"	3/4"
SHM 1000	SHM 1000 P	1"	1"
SHM 114	SHM 114 P	1 1/4"	1 1/4"
SHM 112	SHM 112 P	1 1/2"	1 1/2"
SHM 200	SHM 200 P	2"	2"



Tee Adapter

Used in fluid plumbing applications requiring a connection of two hoses to a FPT fitting and a hose.

PART #		THREAD	BARB
NYLON	POLYPROPYLENE	MPT x BARB	
MT 1234	MT 1234 P	1/2" MPT	3/4"
MT 3438	MT 3438 P	3/4" MPT	3/8"
MT 3412	MT 3412 P	3/4" MPT	1/2"
MT 3434	MT 3434 P	3/4" MPT	3/4"
MT 1038	MT 1038 P	1" MPT	3/8"
MT 1012	MT 1012 P	1" MPT	1/2"
MT 1034	MT 1034 P	1" MPT	3/4"



Elbow Barb

Used in fluid plumbing applications requiring 90 degree connection of two hoses. Fitting will reduce amount of hose required to make a 90 degree turn.

PART #		BARB 1	BARB 2
NYLON	POLYPROPYLENE	BARB x 90 DEGREE BARB	
EB 1414	EB 1414 P	1/4"	1/4"
EB 3838	EB 3838 P	3/8"	3/8"
EB 1212	EB 1212 P	1/2"	1/2"
EB 5858	EB 5858 P	5/8"	5/8"
EB 3434	EB 3434 P	3/4"	3/4"
EB 1010		1"	1"
EB 114	EB 114 P	1 1/4"	1 1/4"
EB 112	EB 112 P	1 1/2"	1 1/2"





Tee

Used in fluid plumbing applications requiring the connection of three fittings or pipes all having MPT threads.

PART #		THREAD
NYLON	POLYPROPYLENE	FPT x FPT x FPT
TT 14	TT 14 P	1/4" FPT
TT 12	TT 12 P	1/2" FPT
TT 34	TT 34 P	3/4" FPT
TT 100	TT 100 P	1" FPT
TT 114	TT 114 P	1 1/4" FPT
TT 112	TT 112 P	1 1/2" FPT
TT 200	TT 200 P	2" FPT
	TT 300 P	3" FPT



Tee with Gauge Port

Used in fluid plumbing applications requiring the connection of three fittings or pipes all having MPT threads. Special port extends from center of body for a gauge.

PART #		THREAD	PORT
NYLON	POLYPROPYLENE		
TT 12-18	TT 12-18 P	1/2" FPT	1/8" FPT
TT 12-14	TT 12-14 P	1/2" FPT	1/4" FPT
TT 34-18	TT 34-18 P	3/4" FPT	1/8" FPT
TT 34-14	TT 34-14 P	3/4" FPT	1/4" FPT
TT 100-14	TT 100-14 P	1" FPT	1/4" FPT
TT 114-14		1 1/4" FPT	1/4" FPT
TT 112-14		1 1/2" FPT	1/4" FPT



Street Elbow

Used in fluid plumbing applications to connect a FPT fitting and a MPT fitting at 90 degrees. This fitting is very useful when working space is a minimum.

PART #		THREAD	THREAD
NYLON	POLYPROPYLENE	MPT x 90 Degree FPT	
SE 14	SE 14 P	1/4" MPT	1/4" FPT
SE 38	SE 38 P	3/8" MPT	3/8" FPT
SE 12	SE 12 P	1/2" MPT	1/2" FPT
SE 1234	SE 1234 P	1/2" MPT	3/4" FPT
SE 34	SE 34 P	3/4" MPT	3/4" FPT
SE 100	SE 100 P	1" MPT	1" FPT
SE 114	SE 114 P	1 1/4" MPT	1 1/4" FPT
SE 112	SE 112 P	1 1/2" MPT	1 1/2" FPT
SE 200	SE 200 P	2" MPT	2" FPT
	SE 300 P	3" MPT	3" FPT



Reducer Bushing

Used in fluid plumbing applications to connect a FPT thread to a reduced size of a MPT fitting.

PART #		THREAD	THREAD
NYLON	POLYPROPYLENE	MPT X FPT	
RB 14-18	RB 14-18 P	1/4" MPT	1/8" FPT
RB 38-18	RB 38-18 P	3/8" MPT	1/8" FPT
RB 38-14	RB 38-14 P	3/8" MPT	1/4" FPT
RB 12-18	RB 12-18 P	1/2" MPT	1/8" FPT
RB 12-14	RB 12-14 P	1/2" MPT	1/4" FPT
RB 12-38	RB 12-38 P	1/2" MPT	3/8" FPT
RB 34-18	RB 34-18 P	3/4" MPT	1/8" FPT
RB 34-14	RB 34-14 P	3/4" MPT	1/4" FPT
RB 34-38	RB 34-38 P	3/4" MPT	3/8" FPT
RB 34-12	RB 34-12 P	3/4" MPT	1/2" FPT
RB 10-12	RB 10-12 P	1" MPT	1/2" FPT
RB 10-34	RB 10-34 P	1" MPT	3/4" FPT
RB 114-34	RB 114-34 P	1 1/4" MPT	3/4" FPT
RB 114-1	RB 114-1 P	1 1/4" MPT	1" FPT
RB 112-34	RB 112-34 P	1 1/2" MPT	3/4" FPT
RB 112-1	RB 112-1 P	1 1/2" MPT	1" FPT
RB 112-114	RB 112-114 P	1 1/2" MPT	1 1/4" FPT
RB 200-1	RB 200-1 P	2" MPT	1" FPT
RB 200-114	RB 200-114 P	2" MPT	1 1/4" FPT
RB 200-112	RB 200-112 P	2" MPT	1 1/2" FPT
RB 300-200	RB 300-200 P	3" MPT	2" FPT



Elbow

Used in fluid plumbing applications to connect to MPT fittings at 90 degrees.

PART #		THREAD
NYLON	POLYPROPYLENE	FPT x 90 DEGREE FPT
ELF 12	ELF 12 P	1/2" FPT
ELF 34	ELF 34 P	3/4" FPT
ELF 100	ELF 100 P	1" FPT
ELF 114	ELF 114 P	1 1/4" FPT
ELF 112	ELF 112 P	1 1/2" FPT
ELF 200	ELF 200 P	2" FPT

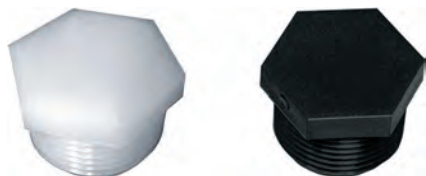


Coupling

Used in fluid plumbing applications to connect two MPT fittings.

PART #		THREAD
NYLON	POLYPROPYLENE	FPT x FPT
	FTC 1800 P	1/8" FPT
FTC 14	FTC 14 P	1/4" FPT
FTC 38	FTC 38 P	3/8" FPT
FTC 12	FTC 12 P	1/2" FPT
FTC 34	FTC 34 P	3/4" FPT
FTC 3412		3/4" FPT x 1/2" FPT
FTC 100	FTC 100 P	1" FPT
FTC 114	FTC 114 P	1 1/4" FPT
FTC 112	FTC 112 P	1 1/2" FPT
FTC 200	FTC 200 P	2" FPT
	FTC 300 P	3" FPT





Plug

Used in fluid plumbing applications to plug off a FPT fitting.

PART #		THREAD
NYLON	POLYPROPYLENE	MPT x HEX
F 1800	F 1800 P	1/8" MPT
F 1400	F 1400 P	1/4" MPT
F 3800	F 3800 P	3/8" MPT
F 1200	F 1200 P	1/2" MPT
F 5800		5/8" MPT
F 3400	F 3400 P	3/4" MPT
F 1000	F 1000 P	1" MPT
F 1014	F 1014 P	1 1/4" MPT
F 112	F 112 P	1 1/2" MPT
F 200	F 200 P	2" MPT

Nipple

Used in fluid plumbing application to connect two FPT fittings.



PART #		THREAD
NYLON	POLYPROPYLENE	MPT x MPT
M 1800	M 1800 P	1/8" MPT
M 1400	M 1400 P	1/4" MPT
M 3800	M 3800 P	3/8" MPT
M 1200	M 1200 P	1/2" MPT
M 3400	M 3400 P	3/4" MPT
M 1000	M 1000 P	1" MPT
M 1140	M 1140 P	1 1/4" MPT
M 1120	M 1120 P	1 1/2" MPT
M 2000	M 2000 P	2" MPT
	M 2006 P	2" MPT x 6" MPT
	M 3000 P	3" MPT
	M 3006 P	3" MPT x 6" MPT

Reducing Nipple

Used in fluid plumbing application to connect two FPT fittings.



PART #		THREAD	
NYLON	POLYPROPYLENE	MALE x MALE	
RM 1438	RM 1438 P	1/4" MPT	3/8" MPT
RM 3818		3/8" MPT	1/8" MPT
RM 3812	RM 3812 P	3/8" MPT	1/2" MPT
RM 38116	RM 38116 P	3/8" MPT	11/16" UN
RM 12116	RM 12116 P	1/2" MPT	11/16" UN
RM 1214	RM 1214 P	1/2" MPT	1/4" MPT
RM 3438	RM 3438 P	3/4" MPT	3/8" MPT
RM 3412	RM 3412 P	3/4" MPT	1/2" MPT
RM 34116	RM 34116 P	3/4" MPT	11/16" UN
RM 114-1	RM 114-1 P	1 1/4" MPT	1" MPT



Adapter

Garden Hose fitting used to connect a FGHT fitting to a MPT fitting.

PART #		THREAD	THREAD
NYLON	POLYPROPYLENE	3/4" MGHT x FPT	
G 3412	G 3412 P	3/4" MGHT	1/2" FPT
G 3434	G 3434 P	3/4" MGHT	3/4" FPT



Adapter

Garden Hose fitting used to connect a FPT fitting to a MGHT fitting.

PART #		THREAD	THREAD
NYLON	POLYPROPYLENE	MPT x 3/4" FGHT	
H 3434	H 3434 P	3/4" MPT	3/4" FGHT



Adapter

Garden Hose fitting used to connect two female fittings.

PART #		THREAD	THREAD
NYLON	POLYPROPYLENE	MALE x MALE	
E 3412	E 3412 P	3/4" MGHT	1/2" MPT
E 3438	E 3438 P	3/4" MGHT	3/8" MPT
E 3434	E 3434 P	3/4" MGHT	3/4" MPT
EE 3434	EE 3434 P	3/4" MGHT	3/4" MGHT



Adapter

Garden Hose fitting used to connect a FGHT to a MGHT fitting. FGHT requires a W 406 washer.

PART #		THREAD	THREAD
NYLON	POLYPROPYLENE	3/4" MGHT x 3/4" FGHT	
I 3434	I 3434 P	3/4" MGHT	3/4" FGHT



Coupling

Garden Hose fitting used to connect a MGHT to a MPT fitting. FGHT requires a W 406 washer.

PART #		THREAD	THREAD
NYLON	POLYPROPYLENE	3/4" FGHT x FPT	
L 3412	L 3412 P	3/4" FGHT	1/2" FPT

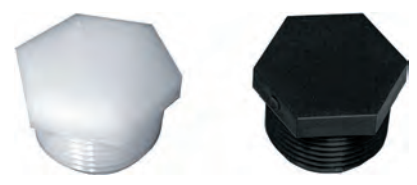




Cap

Female thread x Closed end. Requires W 406 washer.

PART #		THREAD
NYLON	POLYPROPYLENE	FGHT & FPS
N 3400	N 3400 P	3/4" FGHT
N 3400 F	N 3400 F P	3/4" FPS



Plug

Garden Hose fitting used to plug off a FPT fitting.

PART #		THREAD
NYLON	POLYPROPYLENE	3/4" MGHT x HEX
F 3400 GHT	F 3400 GHT P	3/4" MGHT



Tee Adapter

Garden Hose fitting used to connect 3/4" FGHT fitting to two hoses.

PART #		THREAD	BARB
NYLON	POLYPROPYLENE	MGHT x BARB	
MT 3438 G	MT 3438 G P	3/4" MGHT	3/8"
MT 3412 G	MT 3412 G P	3/4" MGHT	1/2"
MT 3434 G	MT 3434 G P	3/4" MGHT	3/4"



Adapter

Garden Hose fitting used to connect 3/4" FGHT fitting to a hose.

PART #		THREAD	BARB
NYLON	POLYPROPYLENE		
D 3414	D 3414 P	3/4" MGHT	1/4"
D 3438	D 3438 P	3/4" MGHT	3/8"
D 3412	D 3412 P	3/4" MGHT	1/2"
D 3458	D 3458 P	3/4" MGHT	5/8"
D 3434	D 3434 P	3/4" MGHT	3/4"
D 3410	D 3410 P	3/4" MGHT	1"



Elbow

Garden Hose fitting used to connect 3/4" FGHT to a hose at 90 degree.

PART #		THREAD	BARB
NYLON	POLYPROPYLENE	3/4" MGHT x 90 degree	
EL 3438 G	EL 3438 G P	3/4" MGHT	3/8"
EL 3412 G	EL 3412 G P	3/4" MGHT	1/2"
EL 3458 G	EL 3458 G P	3/4" MGHT	5/8"
EL 3434 G	EL 3434 G P	3/4" MGHT	3/4"
EL 3410 G	EL 3410 G P	3/4" MGHT	1"



Reducing Nipple

Garden Hose fitting used to connect two FPT fittings.

PART #		THREAD
NYLON	POLYPROPYLENE	MALE X MALE
RM 34116 G	RM 34116 GP	3/4" MGHT 11/16" UN



Swivel Nut

Garden Hose fitting used to connect a hose using a C series fitting with a washer.

PART #		THREAD
NYLON	POLYPROPYLENE	3/4" FGHT
B 3400	B 3400 P	3/4" FGHT
B 3400 F	B 3400 F P	3/4" SPT



Washers

Vinyl Garden Hose washer. Used with all 3/4" FGHT fittings in this catalog.

PART #	DESCRIPTION
W 406	Vinyl Garden Hose Washer
W 40650 S	Vinyl Garden Hose Washer with 50 mesh screen



W 406



W 40650 S

3-Piece Barb Assembly

Garden Hose fitting with swivel connection. Used to connect 3/4" FGHT to a hose. Washer is vinyl in both nylon and poly assemblies.

PART #		SWIVEL	BARB	WASHER
NYLON	POLYPROPYLENE			
B 3414 W	B 3414 W P	B 3400	1/4"	W 406
B 3438 W	B 3438 W P	B 3400	3/8"	W 406
B 3412 W	B 3412 W P	B 3400	1/2"	W 406
B 3458 W	B 3458 W P	B 3400	5/8"	W 406
B 3434 W	B 3434 W P	B 3400	3/4"	W 406



Garden Hose Shutoff Valves

Single and double garden hose valves with 3/4" GHT. 100 PSI maximum operating pressure. Nylon construction.

PART #	DESCRIPTION
G 3434 V	3/4" FGHT (inlet) x 3/4" MGHT (1 outlet)
G 3434 YV	3/4" FGHT (inlet) x 3/4" MGHT (2 outlets)



G 3434 V





SPRAY TIPS & CHECK VALVES



Spray Tip Filter

Polypropylene Body & Cap. Stainless Steel Screen.

PART #	DESCRIPTION
Y8139002	50 mesh
Y8139003	100 mesh



Spray Tip Filter w Check Valve

Polypropylene Body & Cap. Stainless Steel Screen & Ball.

PART #	DESCRIPTION
Y8139004	50 mesh
Y8139005	100 mesh



Spray Tips

FLAT SPRAY TIPS — 80 DEGREES

- Best Performance range 30-75 PSI
- Applications: herbicides, insecticides, fungicides, plant growth regulators
- Color coded for agricultural standards
- Medium droplet size for even distribution

PART #	DESCRIPTION			
	US GPM @ 40 PSI	US GPA @ 5 MPH	L/MI @ 3 BAR	L/HA @ 8 KPH
ST 80-01	0.10	6.0	0.40	60
ST 80-015	0.15	9.0	0.60	90
ST 80-02	0.20	12.0	0.80	120
ST 80-03	0.30	18.0	1.20	180
ST 80-04	0.40	24.0	1.60	240
ST 80-05	0.50	30.0	2.00	300
ST 80-06	0.60	36.0	2.40	360
ST 80-08	0.80	48.0	3.20	480



Spray Tips

FT TIPS — 140 Degree Spray Pattern

- Best Performance range 15-45 PSI
- Applications: soil incorporated herbicides, liquid fertilizers
- Color coded for agricultural standards

PART #	DESCRIPTION			
	US GPM @ 15 PSI	US GPA @ 5 MPH	L/MI @ 1 BAR	L/HA @ 8 KPH
FT .05	0.06	1.8	0.23	17
FT 0.75	0.09	2.8	0.35	26
FT 1.0	0.12	3.7	0.44	33
FT 1.5	0.18	5.5	0.70	53
FT 2.0	0.24	7.4	0.88	66
FT 2.5	0.30	9.2	1.13	85
FT 3.0	0.36	11.0	1.41	106
FT 4.0	0.49	14.7	1.77	133
FT 5.0	0.61	18.4	2.22	167
FT 7.5	0.92	27.6	3.54	266
FT 10	1.22	36.8	4.45	334



Spot Spray Gun

PART #
WNS 21110



Spray Tip Blank

Blanks for Boom Drops, used when changing row spacing.

PART #		THREAD
NYLON	POLYPROPYLENE	
8028	8028 P	1 1/16" Female UN



Male Adapter

Allows 1/4" female boom drops to be converted to accept 1 1/16" UN swivel cap.

PART #		THREAD
NYLON	POLYPROPYLENE	
NB 164	NB 164 P	1 1/16" Male UN x 1/4" MPT
NB 168	NB 168 P	1 1/16" Male UN x 1/8" MPT



Boom Clamp

Boom Clamps fit all nozzle thread fittings on page 33 of this catalog.

PART #		SIZE
NYLON	POLYPROPYLENE	
B 11-1	B 11-1 P	Fits 1" Round or Square Tubing
B 11-114	B 11-114 P	Fits 1 1/4" Round or Square Tubing



Female Adapter

Allows 1 1/16" UN nozzle fittings on page 33 to be converted to accept 1/4" MPT flood tips.

PART #		THREAD
NYLON	POLYPROPYLENE	
1116A	1116A P	1 1/16" Female UN x 1/4" FPT



Swivel Nut

For use with Male Adapter on this page and all nozzle fittings on page 33. Fastens spray tips to nozzle fittings.

PART #		THREAD
NYLON	POLYPROPYLENE	
8027	8027 P	1 1/16" Female UN
8027W	8027W P	



Metering Barb

Used to run a line from spray boom to a gauge visible to operate for monitoring boom pressure. Connects to Male Adapter on this page and all nozzle fittings on page 33 with a 8027 swivel nut.

PART #		BARB SIZE
NYLON	POLYPROPYLENE	
K 8414	K 8414 P	1/4"





Hex Nut

Used to lock nozzle fitting on page 33 into Boom Clamp fittings.

PART #		THREAD
NYLON	POLYPROPYLENE	
N1116	N1116 P	11/16" Female UN



Straight Adapter

Thread 11/16" male UN x hose barb, nut included. Used on the terminating ends of spray boom or a boom using a manifold.

PART #		BARB SIZE
NYLON	POLYPROPYLENE	
3838 D	3838 D P	3/8"
3812 D	3812 D P	1/2"
3834 D	3834 D P	3/4"



Elbow

Thread 11/16" male UN x hose barb, nut included. Used on the terminating ends of spray boom.

PART #		BARB SIZE
NYLON	POLYPROPYLENE	
NTL 38	NTL 38 P	3/8"
NTL 12	NTL 12 P	1/2"
NTL 34	NTL 34 P	3/4"



Cross

Thread 11/16" male UN x hose barb, nut included. Used in the center of boom sections as a main feed line.

PART #		BARB SIZE
NYLON	POLYPROPYLENE	
T 38 C	T 38 C P	3/8"
T 12 C	T 12 C P	1/2"
T 34 C	T 34 C P	3/4"



Tee

Thread 11/16" male UN x hose barb, nut included. Used between the main feed lines and termination end of boom sections.

PART #		BARB SIZE
NYLON	POLYPROPYLENE	
NTT 38	NTT 38 P	3/8"



NOZZLE BODIES

For winged bayonet caps and hose barbs for dry booms.

- Diaphragm check valves set for 7 PSI
- EPDM Gaskets
- Nylon Construction

Elbow - Quick End x Hose Barb

PART #	DESCRIPTION
Y8231003	1/2" Barb
Y8231005	3/4" Barb

Tee - Quick End x Hose Barbs

PART #	DESCRIPTION
Y8231009	1/2" Barb
Y8231011	3/4" Barb

Gross - Quick End x Hose Barbs

PART #	DESCRIPTION
Y8231015	1/2" Barb
Y8231017	3/4" Barb

Elbow - Quick End x Hose Barb w top diaphragm

PART #	DESCRIPTION
Y8235021	1/2" Barb
Y8235023	3/4" Barb

Tee - Quick End x Hose Barbs w top diaphragm

PART #	DESCRIPTION
Y8235027	1/2" Barb
Y8235029	3/4" Barb

Gross - Quick End x Hose Barbs w side diaphragm

PART #	DESCRIPTION
Y8235015	1/2" Barb
Y8235017	3/4" Barb



Y8231003



Y8231009



Y8231015



Y8235021



Y8235027



Y8235015



Y8253048



WINGED BAYONET CAPS

Gasket YG00002020 included.

Elbow - Quick End x Hose Barb

PART #	FITS TIPS:
Y8253048	Lechler® LU, ES, OC, ST, IDK/ Lurmark flat fan tips/Teejet® flat spray tips: standard, XR, DG-8mm across the flats



SG 100



SG 200



LG 100



LG 200



AG 060

PRESSURE GAUGES

Standard Gauge

PART #	DESCRIPTION
SG 100	Standard Gauge, 100 PSI
SG 200	Standard Gauge, 100 PSI
SG 400	Standard Gauge, 100 PSI
SG 1004	4" Standard Gauge, 100 PSI

Liquid Gauge

PART #	DESCRIPTION
LG 100	2-1/2" Liquid Filled, 100 PSI
LG 200	2-1/2" Liquid Filled, 200 PSI

Ammonia Gauge

PART #	DESCRIPTION
AG 060	2-1/2" Ammonia, 60 PSI

STEEL BOOM CLAMPS



B 11-1R



B 11-1SQ



BQ 11-114 R



Standard Clamps-Round

PART #	DESCRIPTION
B 11-34 R	3/4"
B 11-1 R	1"

Standard Clamps-Square

PART #	DESCRIPTION
B 11-1 SQ	1"
B 11-114 SQ	1-1/4"

Quick Clamps-Round

PART #	DESCRIPTION
BQ 11-1 R	1"
BQ 11-114 R	1-1/4"

Quick Clamps-Square

PART #	DESCRIPTION
BQ 11-1 SQ	1"
BQ 11-114 SQ	1-1/4"



2-WAY SOLENOID VALVES

Large Solenoid Valve

12-Volt DC Electric Boom Shutoff Valves have a 3/4" NPT Female inlet, 3/4" NPT male bypass outlet and a 1/2" NPT female boom outlet.

This direct operating valve is designed for 125 PSI maximum operating pressure and 10GPM. (only 5 PSI pressure is lost @ 10 GPM)

- Draws 2 amps per valve at 12 volts.
- Viton seals and o-rings.
- Wetted parts are made of 430 SS and glass filled nylon.

PART #	DESCRIPTION
2500B-1	Solenoid Shutoff Valve, Single



2500B-1

Manual Valve

2750 Manual Valve

This manual valve has a 3/4" NPT male and female inlet and bypass and a 1/2" NPT female boom outlet.

- 0-10 GPM, 175 PSI
- Viton Seals and o-rings.
- Wetted parts are made of 302 SS and glass filled nylon.

*The 2750 is a manual valve with a 1/4" NPT pump pressure point that needs to be drilled to function.

PART #	DESCRIPTION
2750	Manual Shutoff Valve

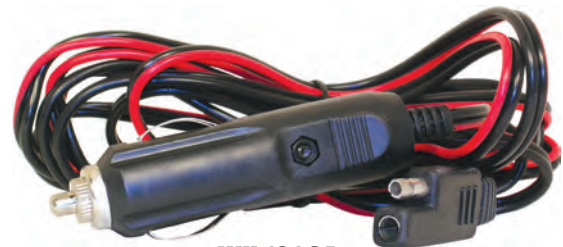


2750

Wiring Harnesses

- 96" wiring harness with on/off switch & 2-pin connector
- 12 volt

PART #	DESCRIPTION
WH 101 CA	12-volt with car adapter connection
WH 102 BC	12-volt with 30 amp battery clips



WH 101 CA



WH 102 BC

SOLENOID VALVES & WIRING HARNESS



String Wing

— New wick arrangement gives a double wipe which means an even application rate and a better kill.

— Because wick runs from top to bottom rather than side to side you never have to worry about the top row of wicks drying out as have been a problem on the first generation of wick applicators.

— 5' sections help reduce wicks from drying out when applying on uneven ground where the wick bar is constantly tilted.

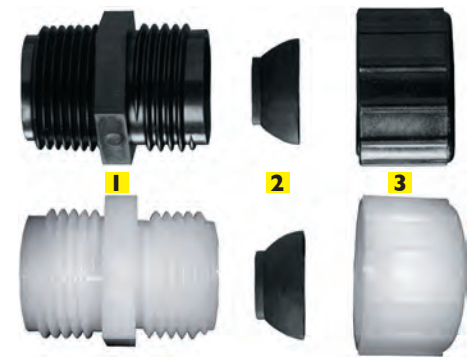
— Build any length applicator you want with the "String Wing", the convenient 5' sections allow you to build 10', 15', 20', etc. sections.

— The special design of alternating wicks on the end cap means when you put "String Wings" end to end you get full swath coverage; (No spots missed).

— Each "String Wing" has its own 1 1/4" fill opening and a breather to prevent vapor locking or pressure surges due to weather temperatures.

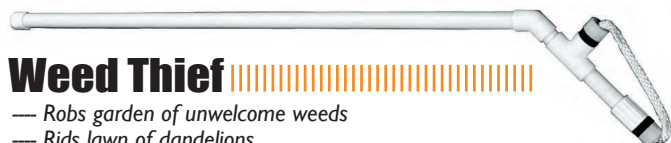


PART #
SW



Rope Wick Fitting

REF#	PART #	DESCRIPTION
1	E 3434	3/4" MGHT X 3/4" MPT Nylon
2	W 407	Cone Washer
3	B 3450	3/4" FGHT x 1/2" opening
3	B 3458	3/4" FGHT x 5/8"
1, 2, 3	E 3434 C	1 ea. E 3434, B 3450 & W 407
Not Shown	EG 3434	Glue on Body
	E 3434 G 50	1 ea. EG 3434, B 3450 & W 407
	E 3434 G 58	1 ea. EG 3434, B 3458 & W 407



Weed Thief

- Robs garden of unwelcome weeds
- Rids lawn of dandelions
- Cleans fence rows
- Kills weeds in row crops
- Easy to use
- Lightweight 2 1/2 pounds when filled
- Economical

PART #
WT I



Adapter

This fitting was used in early model rope wick applicators. Requires the use of N 1116 Nut and either an "O" ring for wick bar use or a W406 washer if used as a tank fitting. ("O" ring are special order)

PART #		THREAD
NYLON	POLYPRO	
1116 B	1116 BP	1 1/16"



Wick Replacement Kit

PART #	DESCRIPTION
WK1	Wick replacement for String Wing, includes 14 each 18" wicks with 28 each B 3450 fittings and W 407 cone washers installed.
WK2	Wick Replacement Kit for a 20' wick bar. Parallel wick rows. Includes 50 each 18" wicks with 100 each B 3450 fittings and W 407 cone washers installed.
WK3	Wick Replacement includes 50 each 18" wicks. No fittings or cone washers. Wick ends are heat sealed.
WK4	1 - 18" Wick; 2 - B 3450 fittings and 2 - W407

Cone Washer

Used for sealing wick in fitting. Fits 1/2" or 5/8" wick material.

PART #





STRING WING ATV MOUNT



**EASILY
MOUNTS
STRING WING
TO THE
FRONT OF
ANY ATV***

**Use with
Your Choice
of Herbicide
& Wick Away
Unwanted
Weeds**

KEEP FOOD PLOTS WEED FREE



● **ATV Mount**
Set includes 2 Brackets & Clamps for mounting the String Wing to an ATV.

GOODYEAR
RUBBER PRODUCTS INC.

Call Toll Free: **1-866-711-4673**
WebSales@GoodyearRubberProducts.com

**We Ship
World Wide**

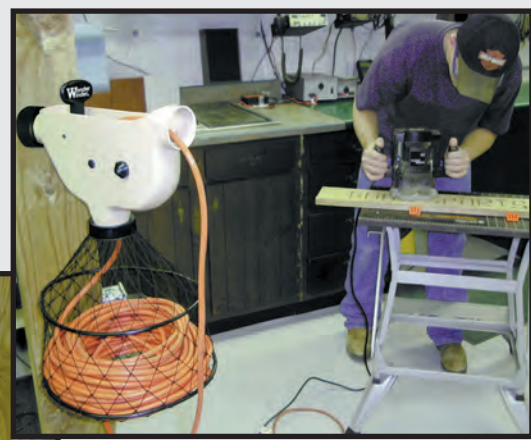


Wonder Winder®

Electrical Power At Your Fingertips

- **PORTABLE**
Use indoors or outdoors
- **FAST & EASY**
Winds 100 ft of cord in 30 seconds
- **3-YR WARRANTY**
Heavy duty construction.

LARGE CAPACITY
holds 100 ft. of cord!!



* Cord Not Included



Unlimited Year Round Uses

- ▶ Garage
- ▶ Shop
- ▶ Lawn
- ▶ Farm



GOODYEAR
RUBBER PRODUCTS INC.

Call Toll Free: **1-866-711-4673**
WebSales@GoodyearRubberProducts.com

We Ship World Wide

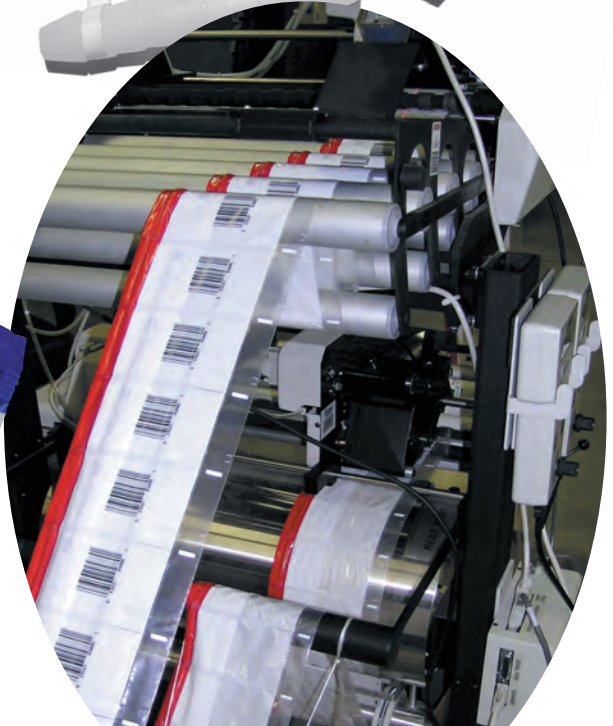


Packaging • Bagging • Labeling • UPC Codes

PACKAGING & MERCHANDISING



New Zip Lock Style Bags Available



GOODYEAR
RUBBER PRODUCTS INC.

Call Toll Free: **1-866-711-4673**
WebSales@GoodyearRubberProducts.com

We Ship World Wide



**Green Leaf can help you set and planogram.....
.....or even customize a display for your specific needs.**



**P
A
C
K
A
G
I
N
G
&
M
E
R
C
H
A
N
D
I
S
I
N
G**

GOODYEAR
RUBBER PRODUCTS INC.

Call Toll Free: 1-866-711-4673
WebSales@GoodyearRubberProducts.com

**We Ship
World Wide**



Maximum and Minimum Continuous Use Temperature

Maximum continuous use temperature for a material is typically derived from a testing procedure developed by Underwriters Laboratories, Inc. The UL temperature index is reported for three different categories: electrical, mechanical with impact, and mechanical without impact. The value for each category represents the temperature at which specific properties will decrease to 1/2 of their original values after 60,000 hours of exposure.

Minimum continuous use temperature for a material must be based on the property requirements of the end use product. Properties such as: Tensile Strength, Elongation at Break, and Yield Strength are published down to -40°F in some cases.

We have taken the above information into consideration and developed the following guidelines for use with Green Leaf, Inc® Proprietary fittings (not including GatorLock® Cam Lock Couplings and Valves):

Nylon 6/6 Fittings:	167°F—32°F @ 75psi
Polypropylene Fittings:	140°F—32°F @ 75psi

These guidelines should not be used as specific limits or used alone to determine suitability for end use. It is impossible for Green Leaf, Inc® to anticipate all factors that can influence the maximum and minimum continuous use temperature. Therefore, Green Leaf, Inc® can make no guarantee of results and can assume no liability in connection with the use of this information. Confirmation of the validity of this information and the suitability of our products for any specific end use should be attained indepen-



Guide* For Chemical Resistance

*These ratings have been developed from technical publications, material suppliers and laboratory tests, and are presented for your evaluation and not as a guarantee.

- Failure, improper selection, or improper use of the products and / or systems referred to and described herein or related items can cause death, personal injury or property damage.
- This document and other information provides product and / or system options for further investigation by users having technical expertise.
- It is important that you analyze all aspects of your application and review the information concerning the product or system.
- Due to the variety of operating conditions and applications for these products or systems, the user, through his or her own analysis and testing, is solely responsible for making the final selection of the products and systems and assuring that all performance, safety and warning requirements are met.
- The materials described and referred to herein are subject to change at any time without notice.
- Unless otherwise stated, all recommendations are based on room temperature (72° F) exposure. Compatibility results may deviate from these recommendations at elevated temperatures. Recommendations are based on presence of listed chemical only.
- Mixtures containing more than one chemical can greatly affect chemical compatibility.
- Polypropylene products and components should not be used with low flash point chemicals, regardless of chemical compatibility results.

RATING CODES (A) Excellent (B) Good (C) Fair (X) Unsuitable () Insufficient Data	ELASTOMERS				METALS				PLASTICS		
	BUNA N (NITRILE)	EPDM	NEOPRENE®	VITON®/FLUOROELASTOMER	STAINLESS STEEL (302-305, 630)	STAINLESS STEEL (316)	STAINLESS STEEL (403-416)	ALUMINUM	NYLON	POLYPROPYLENE* (PPR)	TEFLON® (TFE)
CHEMICAL NAME											
A											
ACETATE SOLVENTS	X	X	X	X	A	A		B	B	X	A
ACETIC ACID	C	C	X	X	B	A		B	X	B	A
ACETIC ACID 95%					B	X				A	
ACETONE	X	C	X	X	C	A	A	A	A	A	A
ALCOHOL	B	X	X	X	A	A	A	B	B	X	A
ALUM	C	B	B	B	X	C	X		C	A	A
ALUMINUM CHLORIDE	X	B	B	B	X	C		B	B	A	A
AMMONIA	X	C	A	X					A		A
AMMONIA-AQUEOUS 30%	X	B			B	A				A	
AMMONIA, ANHYDROUS	C		A	X	A	A		B			
AMMONIUM, CHLORIDE	X		B	B	X	B	C	C	B	A	A
AMMONIUM DIHYDROGEN PHOSPHATE										A	
AMMONIUM HYDROXIDE	C	B	C	X	A	A	A	C	C	A	A
AMMONIUM SULFATE	X		B	B	B	B	C	B	B	A	A
B											
BARIUM CHLORIDE	B	X	A	B	A	B		X	B	A	A
BARIUM FLUORIDE	X	X	B	C					C	X	A
BARIUM NITRATE	B	B	A	B	B	B		B	B	A	A
BARIUM SULFATE	X	C	B	B	C	B		X		A	A
BENZENE	X		C	B	A	A	C	B	B	X	A
BENZOIC ACID	X	C	X	C	C	C		B	X	A	A
BORIC ACID	X	C	C	C	C	B	C	B	X	A	A

CHEMICAL RESISTANCE CHART



CHEMICAL RESISTANCE CHART

RATING CODES (A) Excellent (B) Good (C) Fair (X) Unsuitable () Insufficient Data	ELASTOMERS				METALS				PLASTICS		
	BUNA N (NITRILE)	EPDM	NEOPRENE®	VITON®/FLUOROELASTOMER	STAINLESS STEEL (302-305, 630)	STAINLESS STEEL (316)	STAINLESS STEEL (403-416)	ALUMINUM	NYLON	POLYPROPYLENE* (PPR)	TEFLON® (TFE)
C											
CALCIUM BISULFITE	B	B	B	C	C	C	X	C	B	A	A
CALCIUM CHLORIDE	B	B	B	X	C	B		C	B	A	A
CALCIUM HYDROXIDE	B	B	X	X	C	A		C	B	A	A
CALCIUM HYDROXIDE 30%, BOILING					X	C				A	
CALCIUM HYPOCHLORITE, 5%, 70°			C	A	C	B		C		A	
CARBON BISULFIDE	A	X	X	B		B		A	B	X	A
CARBON DISULFIDE	X	X	X	B	A	C	B	C	B	X	A
CARBON TETRACHLORIDE	X	X	X	B	A	B	A	X	B	X	A
CAUSTIC LIQUID	B	B		A						A	
CAUSTIC SODA, ALL CONC., 72° & 140°	B	C	C	X	A	A			B	C	A
CHLORINATED SOLVENTS	X	X	X	B					C		A
CHLORINATED WATER, SATURATE	C		B	B	B	C			C	B	A
CHLORINE	X	X	X	X	X	X			C	X	A
CHLORINE TRIFLUORIDE	X	X	X	C				X	X	X	A
CHLOROACETIC ACID	X	C	X	X	B	X			X	A	A
CHROMIC ACID	X	C	X	B	X	C	C	C	X	B	A
CHROMIC ACID, 10%, 70° F			X					C		A	
CITRIC ACID	X	C	C	C	C	A	C	C	X	A	A
CITRIC ACID, HOT, CONC.					X	X				A	
COPPER SULFATE	X	B	B	B	C	A	A	X		A	A
CORN OIL	A	B	X	X		A			A	A	A
CYCLOHEXANE	C	X	X	A	A	A		A		X	A
D											
DETERGENT SOLUTIONS	C	C	C	C	A	A		A	A	B	A
E											
ETHYL ACETATE	X	X	X	X	B	B		B	B	A	A
ETHYL ALCOHOL	A		A	A		A				A	
ETHYLCELLULOSE	X	X	X	C				B	B	C	A
ETHYL CHLORIDE	X	X	X	C	A	A		X	B	X	A
ETHYLENE GLYCOL	A	A	B	A	A	A	A	A	B	C	A
F											
FERRIC CHLORIDE	X	X	B	C	X	X	X	X	B	A	A
FERRIC SULFATE	X	B	B	B	B	A	A	X	B	A	C
FERROUS CHLORIDE	X	B	B	B	X	X		X	B	A	A
FERROUS SULFATE	X	B	B	B	C	C		X	B	A	A



RATING CODES (A) Excellent (B) Good (C) Fair (X) Unsuitable () Insufficient Data	ELASTOMERS				METALS				PLASTICS		
	BUNA N (NITRILE)	EPDM	NEOPRENE®	VITON®/FLUOROELASTOMER	STAINLESS STEEL (302-305, 630)	STAINLESS STEEL (316)	STAINLESS STEEL (403-416)	ALUMINUM	NYLON	POLYPROPYLENE* (PPR)	TEFLON® (TFE)
CHEMICAL NAME											
FORMALDEHYDE, 40%			A		A	B				A	
FREON	X	B	X	B	B	A	A	X	X	B	A
FRUIT JUICES	A	B	X	B		A		B	X	A	A
FUEL OIL, NORMAL	C	X	X	A	A	A		A	A	A	A
G											
GASOLINE	C	X	X	B	A	B		A	A	X	A
GLYCERINE OR GLYCEROL	X	X	B	B	A	A	A	A	B	A	A
H											
HYDRAULIC OILS	C	X	A	C	A			A		A	
HYDROCARBONS, PURE		X		B						A	
HYDROCHLORIC ACID	C	B	B	C	X	X	X	X	X	A	A
HYDROCHLORIC ACID, 20%	C		A	A	X	X		X		A	
HYDROFLUORIC ACID	X	C	C	X	X	X	X	X	X	A	A
HYDROFLUORIC ACID, 50%	C		C	A	X	X		X		A	
HYDROFLUOROSILICIC ACID	X	C	C	X	X	X		X	X	A	B
HYDROGEN PEROXIDE	A	X	X	X	C	A	A	A	X	X	A
HYDROGEN PEROXIDE, 50%		A		A	C			A		A	
HYDROGEN SULFIDE	B	B	X	C	X	B	X	X	C	A	A
I											
IODINE	X	X	X	X	C	X		X		C	A
ISOPAR G		X		A						A	
ISOPROPYL ALCOHOL	B		A	A	A	B				A	
L											
LACQUER SOLVENTS	X	X	X	B	A	A	A	A	B	X	A
LIME, 30%					A	A		C		A	
LUBRICATING OIL	A	B	B	A	A	A		A	A	X	A
M											
MAGNESIUM CHLORIDE	X	B	B	C	C	A	C	X	B	A	A
MAGNESIUM HYDROXIDE	X	C	C	X	C	A	A	X	B	A	A
MAGNESIUM SULFIDE	X	C	B	X					B	A	A
MANGANESE CHLORIDE	X	C	B	X	X	X			B	A	A
MANGANESE SULFATE	X	C	B	X					B	A	A
MERCURIC SULFATE	X	C	B	X					B	A	A
METHYL CHLORIDE	C	X	X	X	A	A		X	B	X	A
METHYL ETHYL KETONE	X	A	X	X	A	A		A		A	



CHEMICAL RESISTANCE CHART

RATING CODES (A) Excellent (B) Good (C) Fair (X) Unsuitable () Insufficient Data	ELASTOMERS				METALS				PLASTICS		
	BUNA N (NITRILE)	EPDM	NEOPRENE®	VITON®/FLUOROELASTOMER	STAINLESS STEEL (302-305, 630)	STAINLESS STEEL (316)	STAINLESS STEEL (403-416)	ALUMINUM	NYLON	POLYPROPYLENE* (PPR)	TEFLON® (TFE)
CHEMICAL NAME											
N											
NICKEL CHLORIDE	X	C	C	X	C	X	X	X	B	A	A
NICKEL SULFATE	X	C	C	X	C	B	X	X	B	A	A
NITRIC ACID	X	X	X	X	C	B	C	X	X	X	A
NITRIC ACID, 20%	X	B	X	B	A	A		X		A	
NITRIC OXIDE	X	C	C	X					C	X	A
O											
OIL - NO. 1 ASTM	B	X	B	A					A	X	A
OIL - NO. 3 ASTM	B	X	B	A					A	X	A
P											
PHOSPHORIC ACID	X	C	C	C	A			X	X	A	A
PHOSPHORIC ACID, 10%					A	B		X		A	
PHOTO CHEMICALS - STANDARD TYPES										A	
PHOTOGRAPHIC - DEVELOPERS	X	B	C	C	C	A		C	B	A	A
PHOTOGRAPHIC - FIXER	C	A	B	B	C	B				A	
POTASSIUM BICARBONATE	A		A	A	B	C		C		A	
POTASSIUM CARBONATE	C	B	B	B	C	C		C	C	A	A
POTASSIUM CHLORATE	X	B	B	C	A	C		B	B	A	A
POTASSIUM CHLORIDE	X	B	B	C	C	B	C	B	B	A	A
POTASSIUM DICHROMATE, 40%					A	A		A		A	
POTASSIUM HYDROXIDE	C	B	X	X	B	B	A	X	B	B	A
POTASSIUM NITRATE	X	B	B	C	A	C		B	B	A	A
POTASSIUM SULFATE	X	B	B	C	C	B	A	A	B	A	A
PROPYLENE GLYCOL	A	A	C	A	C	B		A	B	C	A
S											
SALINE SOLUTION - ALL CONC.										A	
SILICONE OILS & GREASES	X	C	C	B	B	A			A	A	A
SODIUM BICARBONATE	X	B	B	X	A	A	A	A	B	A	A
SODIUM BISULFATE	X	B	C	B	X	A	X	X	B	A	A
SODIUM CARBONATE	X	X	B	X	C	A		C	B	A	A
SODIUM CHLORATE	X	B	B	B	C	C		B	B	A	A
SODIUM CYANIDE	X	B	B	B	C	A	A	X	B	A	A
SODIUM HYDROSULFITE	X	B	B	B					C	A	A
SODIUM HYDROXIDE	B	A	B	A	C	X	A	X	C	A	A
SODIUM HYDROXIDE, 40-80%, 175° F	A		A		X	C		X		A	
SODIUM HYPOCHLORITE	X	B	X	B	X	X	X	X	C	B	A



RATING CODES (A) Excellent (B) Good (C) Fair (X) Unsuitable () Insufficient Data	ELASTOMERS				METALS				PLASTICS		
	BUNA N (NITRILE)	EPDM	NEOPRENE®	VITON®/FLUOROELASTOMER	STAINLESS STEEL (302-305, 630)	STAINLESS STEEL (316)	STAINLESS STEEL (403-416)	ALUMINUM	NYLON	POLYPROPYLENE (PPR)	TEFLON® (TFE)
SODIUM NITRATE	X	B	C	B	C	C	A	A	B	A	A
SODIUM PEROXIDE	X	X	X	X	A	A	A	X	X	X	A
SODIUM PHOSPHATE	X	B	B	B	B	B		X	B	A	A
SODIUM SULFATE	X	B	B	B	A	B	A	B	B	A	A
SODIUM SULFIDE	X	B	B	B	X	B	A	X	B	A	A
SODIUM SULFITE	X	B	B	B	A	A			B	A	A
SODIUM THIOSULFATE	X	B	B	B	B	A	A	B	B	A	A
SOFT DRINK SYRUPS										A	
SOLVENT - TONER KEROSENE BASE										A	
SOYBEAN OIL	A	B	X	A	A	A			A	B	A
STANNIC CHLORIDE	X	B	C	B	X	X		X	B	A	A
STANNOUS CHLORIDE	X	B	B	B	X				B	A	A
SULFUR CHLORIDE	X	X	X	A	C	X	X	X	C	B	A
SULFUR DIOXIDE	X	X	X	A	A	B		X	C	B	A
SULFUR TRIOXIDE	X	X	X	A	C	C		X			A
SULFURIC ACID	X	C	X	B	C	B		X	X	C	A
SULFUROUS ACID	X	C	X	C	C	C	X	X	X	A	A
T											
TOLUENE OR TOLUOL	X	X	X	X	A	A	C	A		X	A
TRIBUTYL PHOSPHATE	X	X	X	X	A	A			B	B	A
TRICHLOROETHYLENE	X	X	X	C	A	C	A	X	C	X	A
TURPENTINE	C	X	X	B	C	A	C	A	C	X	A
V											
VEGETABLE OILS	B	B	C	A	C	C	C	A	A	X	A
VINEGAR	C	C	C	C	C	B	C	X	C	A	A
W											
WATER, DEIONIZED	C	A	C	A	A	A			B	A	A
WATER, FRESH	C	A	B	A	A	A	A	A	B	A	A
WATER, GLYCOL	C	B	B	B					B	A	A
WETTING AGENTS		A		A						A	
Z											
ZINC CHLORIDE	X	B	B	B	X	X	X	X	B	A	A
ZINC SULFATE	X	B	B	B	C	A	C	X	B	A	A



GATOR LOCK®



GOODYEAR
RUBBER PRODUCTS INC.

Call Toll Free: **1-866-711-4673**
WebSales@GoodyearRubberProducts.com

**We Ship
World Wide**