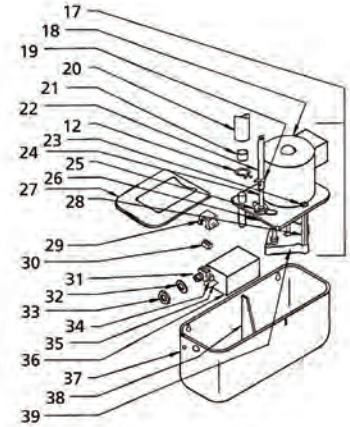
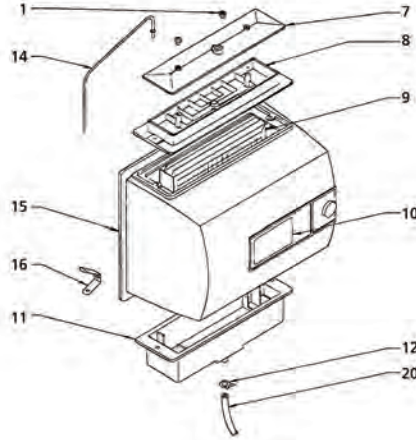
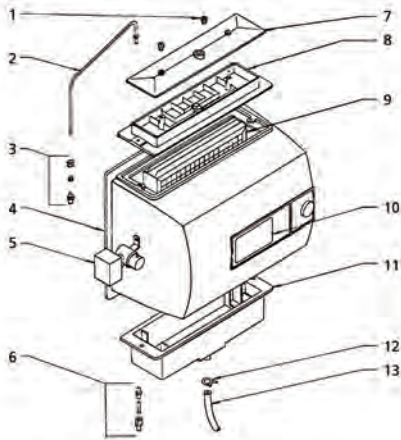


Legacy Models 1042, 1042L, 1042LH, 1042R



Item	Qty. Req'd	GFI Number	Part Description	List / Retail Price Each	Item	Qty. Req'd	GFI Number	Part Description	List / Retail Price Each
1	8	7043	1099 - 9 Thumb Nut	\$2.10	26	1	6010	975 - 16 R.H. Lid Assembly	*NLA
2	1	7364	1042 - 5 Distributor Tube For 1042 L/LH	\$15.39	27	1	6009	975 - 13 L.H. Lid Assembly	*NLA
3	1	7158	P103, 104, 111 Connector & Fittings	\$2.63	28	3	6017	975 - 41 Pump Mounting Stud	*NLA
4	1	7363	1042 - 4 Cabinet Assembly - 115V	\$136.50			6007	975 - 10 Float Valve Assembly	\$25.41
4	1	7368	1042 - 16 Cabinet Assembly - 24V	\$136.50	29	1	6005	975 - 6 Valve Shield	\$1.04
5	1	7013	990 - 52 Solenoid Valve Assembly - 115V (For 1042) (Includes Fittings)	\$132.64	30	1	6004	975 - 1 Valve Seat	\$0.53
5	1	7014	990 - 53 Solenoid Valve Assembly - 24V (For 1042 L/LH) (Includes Fittings)	\$80.23	31	1	7122	727 - 24 Orifice Fitting	\$6.83
6	1	7008	990 - 37 - 76 Orifice And Strainer Assembly (Std. Water Pressure 40 - 120 PSI)	\$6.77	32	1	6036	P117 Orifice Washer	\$0.42
6	1	7009	990 - 37 - 75 Orifice And Strainer Assembly (Low Water Pressure 20 - 40 PSI)	\$6.77	33	1	6001	975 - 3 Orifice Nut	\$0.79
6	1	7005	990 - 17 Strainer	\$0.69	34	1	6026	P118 Cotter Pin	\$1.00
7	1	7332	1137 - 35 Trough Cover Assembly	\$13.13	35	1	7121	727 - 34 Float Arm	\$5.25
8	1	7333	1137 - 4 Distributor Trough	\$29.40	36	1	7119	727 - 32 Float Block	\$8.93
9	1	7002	990 - 13 Evaporator Pad 9 3/4" W x 11 3/4" H	\$20.97	37		6008	975 - 48 Reservoir And Baffle Assembly	*NLA
10	1	7366	1042 - 10 Inspection Name Plate	\$3.15	38	1	6020	975 - 12 Reservoir Baffle	*NLA
11	1	7347	1137 - 3 Drain Pan	\$31.50	39	1	6011	975 - 17 Pump Housing - Bottom	*NLA
12		7162	P163 Hose Clamp	\$0.79	39	1	6012	975 - 18 Pump Housing - Top	*NLA
13	1	7046	1099 - 16 Drain Tube (15' Of 5/8" I.D.)	\$21.00	39	1	6013	975 - 49 Impeller And Impeller Screw	*NLA
14	1	7365	1042 - 6 Distributor Tube - R	\$15.39	Parts Not Shown				
15	1	7369	1042 - 17 Cabinet Assembly (1042 - R)	\$128.10		1	8022	800 - UST Self - Tapping Saddle Valve Kit	\$11.55
16	1	6016	975 - 35 Distributor Tube Bracket	\$1.74		1	7037	MHX3 Manual Control, Duct Mount Humidistat (LH Only)	\$42.00
17	1	6018	975 - 45 Pump, Motor & Lid Assembly	\$194.25		1	7053	WMH3 Wall Mount Housing	\$20.97
18	1	6015	975 - 33 Pump Motor	\$126.00		1	7118	727 - 58 24V Transformer (12VA)	\$23.10
19	2	6034	P115 Hose Clamp (For 975 - 34)	*NLA		1	7367	1042 - 15 Parts Bag (1042, L And LH)	*NLA
20	1	7348	1137 - 48 Drain Tube (2 - 1/2' Of 5/8" I.D.)	\$4.73		1	7373	1042 - 80 Parts Bag With Solenoid 24V	\$105.00
21	1	6040	975 - 43 Drain Tube Adapter	*NLA		6	7345	1137 - 15 Mounting Stud	\$0.86
22	1	6019	975 - 34 Water Supply Tubing (4' Of 5/16" I.D., R Model Only)	\$3.84		4	7140	40 - 7 Speed Nut	\$0.69
23	3	6033	P120 Motor Mount Grommet	*NLA			8035	8035 Humidex Tablets	\$12.60
24	1	6014	975 - 29 Standpipe	*NLA		1	7359	1042 - 11 Damper Knob	\$4.20
25	1	6035	P116 Standpipe Nut	*NLA		1	7358	1042 - 3 Damper Ass. (Includes Washer & 990 - 69 Spring)	\$8.40

*NLA = No Longer Available

2% 10th Prox. Net 30 Days. F.O.B. Novi, Michigan \$5,000 Orders FFA

General Filters, Inc. 43800 Grand River Avenue Novi, Michigan 48375-1115 Toll Free (866) 476-5101 Fax (248) 349-2366 www.GeneralAir.com