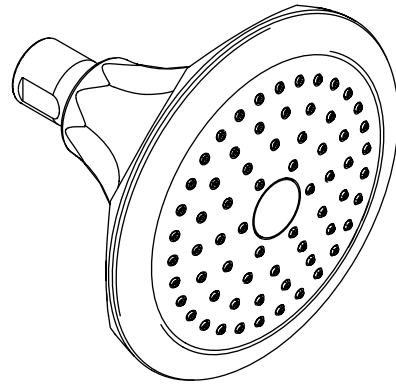


Features

- *Katalyst™ Spray Technology with air induction ball joint (patent pending)*
- *Optimized sprayface for maximum performance*
- *MasterClean™ spray nozzles prohibit mineral build-up for easy cleaning*
- *1/2" - 14 NPT connection*
- *Single-function showerhead with Katalyst™ Spray Technology*
- *5-1/2" (140 mm) diameter sprayface*

**SINGLE-FUNCTION KATALYST™
SHOWERHEAD
K-457-AK
ALSO K-45409**



Codes/Standards Applicable

Specified model meets or exceeds the following:

- ASME A112.18.1/CSA B125.1

Colors/Finishes

- CP: Polished Chrome
- Other: Refer to Price Book for additional colors/finishes

Accessories

- CP: Polished Chrome
- PB: Vibrant® Polished Brass
- Other: Refer to Price Book for additional colors/finishes

Specified Model

Model	Description	<input type="checkbox"/> CP	<input type="checkbox"/> Other ____
K-457-AK	Single-function Katalyst showerhead – 2.5 gpm (9.5 lpm)	<input type="checkbox"/> CP	<input type="checkbox"/> Other ____
K-45409	Single-function Katalyst showerhead – 2.0 gpm (7.6 lpm)	<input type="checkbox"/> CP	<input type="checkbox"/> Other ____

Recommended Accessories				
K-7397	7-1/2" (137 mm) shower arm and flange	<input type="checkbox"/> CP	<input type="checkbox"/> PB	<input type="checkbox"/> Other ____

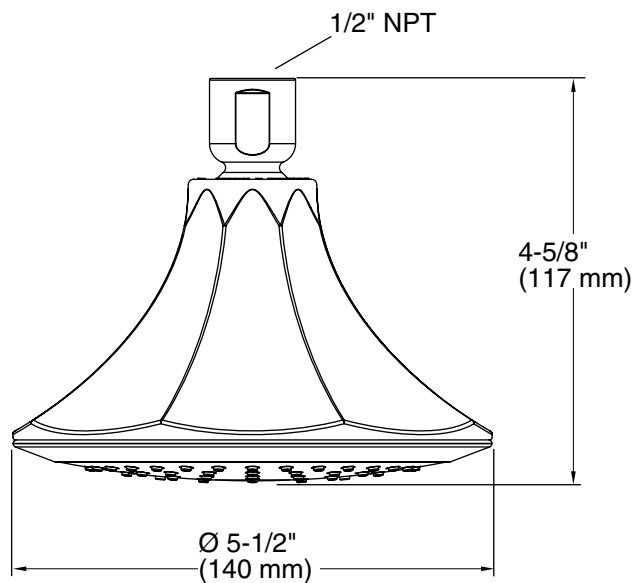
Product Specification

The single-function showerhead shall be with 5-1/2" (140 mm) diameter sprayface. Showerhead shall have Katalyst™ Spray Technology with air induction ball joint (patent pending) and optimized sprayface for maximum performance. Showerhead shall include MasterClean™ spray nozzles to prohibit mineral build-up for easy cleaning. Showerhead shall have 1/2"-14 NPT connection. Showerhead shall be Kohler Model K-457-AK-____ or K-45409-____.

MEMOIRS®

Installation Notes

Install this product according to the installation guide.



Product Diagram