

SPECIFICATIONS

FIGURE X430

BRASS BODY BALL VALVE



LOW-LEAD COMPLIANT 2-PIECE FULL PORT WATER SERVICE VALVE WITH PRESS ENDS

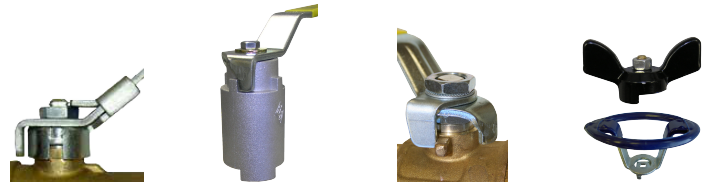
The FNW figure X430 press valve for water service is suggested for all applications where labor and time savings are a must. The valve allows quick installation on copper pipelines meeting ASTM B88 standards. The structure of the valve, made in dezincification-resistant brass, guarantees excellent corrosion resistance, particularly in the connection areas of the pipeline. Drip fit O-rings ensure that an end connection will drip, indicating an end was not pressed.

FEATURES

- 200 psi max working pressure
- 250°F max temperature at max pressure
- Full port
- Press ends
- Conforms to MSS SP-110*
- ANSI/NSF 61 Annex G Certified (UL) (Annex G references NSF 372)
- True 2-piece design
- Drip fit O-rings
- No soldered-in end pieces
- Blow-out proof stem
- Adjustable packing
- Secondary O-ring stem seal
- Forged brass body & end cap
- 100% DZR brass offers greater protection against corrosion and cracking
- 100% electronically tested in open and closed position at 80 psi
- Uses the same handle accessories as the figure 420 ball valve
- Sizes 1/2" to 2"



OPTIONS



Lock Lever

Stem Extension

Memory Stop

Tee or Oval Handle

* The current specification SP-110 does not address the new technology of press end connections; other than this exception, the valve meets the design criteria of the specification.

Note: Low-Lead Compliant: Referring to laws defining "Lead Free" as wetted surface of pipe, fittings and fixtures in potable water systems that have a weighted average lead content $\leq 0.25\%$ per the Safe Drinking Water Act (Sec. 1417) amended 1-4-2011, as well as other state regulations.

FIGURE NUMBER MATRIX

FNWX430 Size Code					
1/2" = D	3/4" = F	1" = G	1-1/4" = H	1-1/2" = J	2" = K

ACCESSORY KIT CODES (SOLD SEAPARETLY)

Locking Lever*	Extensions	Memory Stops	Oval Handles	Tee Handles
1/2 = FNW420LHKBD	1/2 = FNW420SEBD	1/2 = FNW420MSKBD	1/2 = FNW420OHKBCD	1/2 = FNW420THKBD
3/4-1 = FNW420LHKFG	3/4-1 = FNW420SEFG	3/4-1 = FNW420MSKFG	3/4-1 = FNW420OHKFG	3/4-1 = FNW420THKFG
1-1/4-1-1/2 = FNW420LHKHJ	1-1/4-1-1/2 = FNW420SEHJ	1-1/4-1-1/2 = FNW420MSKHJ	1-1/4-1-1/2 = FNW420OHKHJ	
2 = FNW420LHKK	2 = FNW420SEK	2 = FNW420MSKK	2 = FNW420OHKK	

* Note: Locking lever kits are of the standard figure 420 yellow sleeve type.

SPECIFICATIONS

FIGURE X430

BRASS BODY BALL VALVE

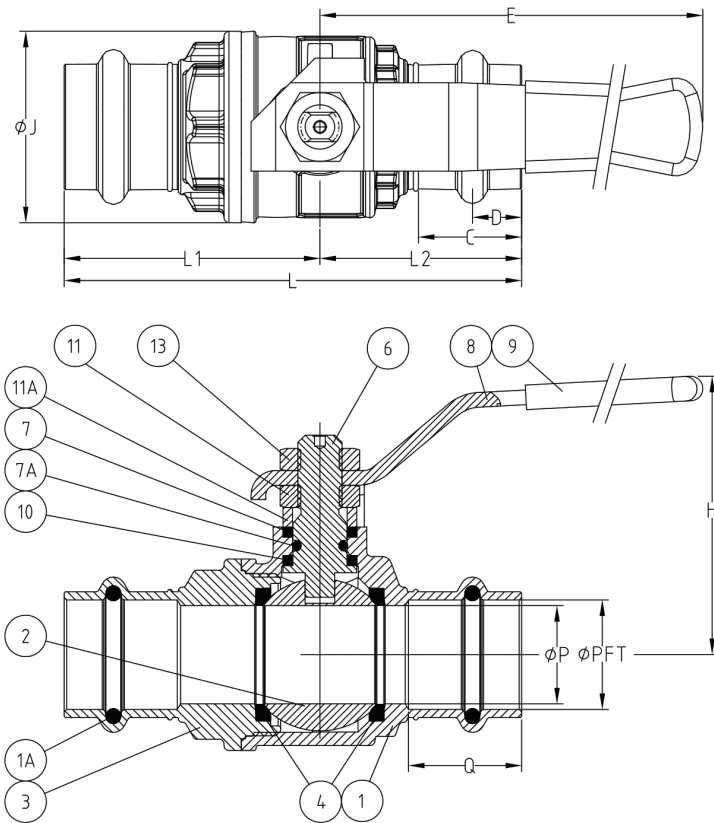


LOW-LEAD COMPLIANT 2-PIECE FULL PORT WATER SERVICE VALVE WITH PRESS ENDS

DIMENSIONS (INCHES, CV & WEIGHTS)

Size	E	H	ØJ	ØP	ØPFT	C	D	Q	L	L1	L2	CV	Weight (lbs)
1/2"	3.86	1.89	1.30	0.59	0.63	0.67	0.31	0.71	3.13	1.71	1.42	18	0.49
3/4"	4.80	2.28	1.54	0.79	0.88	0.83	0.39	0.91	3.66	2.05	1.61	34	0.86
1"	4.80	2.44	1.93	0.98	1.13	0.83	0.39	0.94	4.13	2.32	1.81	49	1.23
1-1/4"	6.02	3.07	2.32	1.26	1.38	0.83	0.39	1.02	4.41	2.44	1.97	102	2.34
1-1/2"	6.02	3.35	2.87	1.57	1.63	1.02	0.49	1.42	5.63	2.91	2.72	265	3.48
2"	6.38	3.80	3.39	1.95	2.13	1.18	0.57	1.57	6.48	3.39	3.09	306	4.61

PARTS BREAKDOWN



STANDARD MATERIALS

Ref #	Description	Material	Qty
1	Body	Brass C27453	1
1A	O-Ring	EPDM (EP851)	
2	Ball	Brass CW 510L(Chrome-Plated)	1
3	End Cap	Brass C27453	1
4	Seat	PTFE	2
6	Stem	Brass CW 510L	1
7	Stem Packing	PTFE	1 Set
7A	Stem O-Ring	NBR 75 Shore A	1
8	Handle	Steel DD11	1
9	Sleeve	Vinyl	1
10	Thrust Washer	PTFE	1
11	Gland Nut	Steel CL 04 ZP	1
11A	Packing Gland	Brass CW 614N UNI 12164	1
13	Handle Nut	Steel CL 04 ZP	1

Drip Fit O-Rings

The drip fit O-rings ensure that an unpressed end will drip. This is an added safety feature to ensure unpressed ends are discovered and corrected.

