



RRKA-A

Parts List
06-July-2016



*This parts list is current as of the above revision date.
See <http://www.rheempartslists.net/92-42800-RRKA-A.pdf> for the current revision.*

Package Gas-Electric

Table of Contents

Model Explanation	Page 3
Parts Numbers	
Panels - Miscellaneous 018-030	Page 4
Panels - Miscellaneous 036-060	Page 5
Electrical Group	Page 6
Fan Group	Page 7
Blower Group	Page 7
Coil Parts	Page 8
Compressor Group	Page 9
Heat Exchanger-Burner Group	Page 10
Gas Controls	Page 10
Accessories	Page 11
Orifice Selection Chart	Page 12
Drawings/Photographs	
Exploded View	Page 13
Control Box Assembly	Page 14
Blower Assembly	Page 15
Evaporator Coil Assembly	Page 16
Condenser Coil Group	Page 17
Heat Exchanger Assembly	Page 18
Burner Assembly	Page 19
Notes/Disclaimer	Page 20

MODEL NUMBER EXPLANATION

*	R	K	A	-	A	0	3	6	J	K	1	0	E	A	J	A
1	2	3	4		5	6			7	8	9		10	11		

- | | |
|--|--|
| <p>(1) TRADENAME IDENTIFICATION</p> <p>(2) PRODUCT CLASSIFICATION
R = ROOFTOP</p> <p>(3) EFFICIENCY DESIGNATION</p> <p>(4) DESIGN SERIES
A = FIRST DESIGN</p> <p>(5) TECHNICAL VARIATIONS</p> <p>(6) COOLING CAPACITY (BTU/HR)
018 = 18,000 042 = 42,000
024 = 24,000 048 = 48,000
030 = 30,000 060 = 60,000
036 = 36,000</p> | <p>(7) ELECTRICAL DESIGNATION
J = 208/230V -1 PH - 60 HZ.
C = 208/230V -3 PH - 60 HZ.</p> <p>(8) DRIVE PACKAGE
K = DIRECT DRIVE</p> <p>(9) HEATING CAPACITY - (MBH)
04 = 40,000
06 = 60,000
08 = 80,000
10 = 100,000</p> <p>(10) IGNITION SYSTEM
E = ELECTRIC
X = ELECTRIC NOX</p> <p>(11) OPTION CODES</p> |
|--|--|

SERIAL NUMBER EXPLANATION

1	R	A	1	2	3	4	A	D	A	A	F	2	6	9	5	0	0	0	1
1	2	3			4	5	6	7	8	9		10		9					

- | | |
|--|---|
| <p>(1) GAS CODE</p> <p>(2) BLOWER CONTROL BOARD</p> <p>(3) COMPRESSOR IDENTIFICATION NUMBER</p> <p>(4) IGNITION DEVICE</p> <p>(5) INDUCER BLOWER</p> <p>(6) HEAT EXCHANGER</p> | <p>(7) TECHNOLOGY VARIATIONS</p> <p>(8) PLANT:
F = FORT SMITH, AR</p> <p>(9) WEEK</p> <p>(10) YEAR</p> <p>(11) PRODUCTION NUMBER</p> |
|--|---|

No.	Notes	MODEL TECHNICAL VARIATION COOLING CAPACITY	RRKA- A 018	RRKA- A 024	RRKA- A 030
PANELS, MISCELLANEOUS PARTS					
1		Front Base Pan - Before F3405	AS-58628-01	AS-58628-01	AS-58628-01
1		Front Base Pan - After F3405	AS-58628-07	AS-58628-07	AS-58628-07
2		Base Rail (2) - Before F3605	AE-58562-02	AE-58562-02	AE-58562-02
2		Base Rail (2) - After F3605	AE-58562-03	AE-58562-03	AE-58562-03
3		Back Base Pan - Before F3605	AS-58607-10	AS-58607-10	AS-58607-10
3		Back Base Pan - After F3605	AS-58607-64	AS-58607-64	AS-58607-64
4		Blower Shelf	AS-58630-01	AS-58630-01	AS-58630-01
5		Blower Shelf Transition	AS-58607-19	AS-58607-19	AS-58607-19
6		Divider Panel	AS-58607-03	AS-58607-03	AS-58607-03
7		Bulkhead Assembly	AS-58607-01	AS-58607-01	AS-58607-01
8		Exhaust Hood	AS-58629-01	AS-58629-01	AS-58629-01
		Combustion Air Inlet Hood	AE-58599-01	AE-58599-01	AE-58599-01
9		Corner Post	AS-58607-40	AS-58607-40	AS-58607-40
10		Blower Access Panel	AS-58607-09	AS-58607-09	AS-58607-09
11		End Panel	AS-58607-04	AS-58607-04	AS-58607-04
12		Supply Cover - Pictured	AS-58607-06	AS-58607-06	AS-58607-06
12		Supply Cover - Side Option	AS-58607-35	AS-58607-35	AS-58607-35
13		Return Cover - Pictured	AS-58607-05	AS-58607-05	AS-58607-05
13		Return Cover - Side Option	AS-58607-34	AS-58607-34	AS-58607-34
14		Top Panel	AS-58607-07	AS-58607-07	AS-58607-07
15		Grille	AS-58634-01	AS-58634-01	AS-58634-01
16		Fan Motor	See Fan Group		
17		Fan Blade	See Fan Group		
18		Venturi	AE-58585-01	AE-58585-01	AE-58585-01
19		Filter Access Panel	AS-58607-08	AS-58607-08	AS-58607-08
20		Condenser Louver Panel	AS-58607-37	AS-58607-37	AS-58607-37
21		Center Post	AE-58569-01	AE-58569-01	AE-58569-01
22		Control Access Panel	AS-58607-20	AS-58607-20	AS-58607-20
23		Compressor	See Compressor Group		
24		Heat Exchanger	See Heat Exchanger Group		
24d		Collector Box	See Heat Exchanger Group		
25		Induced Draft Blower w/Gasket	See Electrical Group		
26		Control Box (w/o components)	AE-58597-01	AE-58597-01	AE-58597-01
27		Control Box Cover	AE-58598-01	AE-58598-01	AE-58598-01
28		Furnace Shelf	AS-58607-11	AS-58607-11	AS-58607-11
29		Burner Floor	AE-58594-01	AE-58594-01	AE-58594-01
30		Exhaust Transition	AS-58607-36	AS-58607-36	AS-58607-36
		Burner Assembly	See Burner Group		
		Bulkhead Valve (2)	61-22369-04	61-22369-04	61-22369-04
		Bulkhead Valve Locknut (2)	63-22368-01	63-22368-01	63-22368-01
		Heat Exchanger Tube Support	AE-58590-01	AE-58590-01	AE-58590-01
		Bulkhead Valve Cap (2)	83-100635-01	83-100635-01	83-100635-01
		Grommet - Gas Supply Piping	56-22114-01	56-22114-01	56-22114-01

No.	Notes	MODEL TECHNICAL VARIATION COOLING CAPACITY	RRKA- A 036	RRKA- A 042	RRKA- A 048	RRKA- A 060
PANELS, MISCELLANEOUS PARTS						
1		Front Base Pan - Before F3405	AS-58628-01	AS-58628-01	AS-58628-01	AS-58628-01
1		Front Base Pan - On or After F3405	AS-58628-07	AS-58628-07	AS-58628-07	AS-58628-07
2		Base Rail (2) - Before F3605	AE-58562-02	AE-58562-02	AE-58562-02	AE-58562-02
2		Base Rail (2) - On or After F3605	AE-58562-03	AE-58562-03	AE-58562-03	AE-58562-03
3		Back Base Pan - Before F3605	AS-58607-10	AS-58607-10	AS-58607-10	AS-58607-10
3		Back Base Pan - On or After F3605	AS-58607-64	AS-58607-64	AS-58607-64	AS-58607-64
4		Blower Shelf	AS-58630-01	AS-58630-01	AS-58630-01	AS-58630-01
5		Blower Shelf Transition	AS-58607-19	AS-58607-19	AS-58607-19	AS-58607-19
6		Divider Panel	AS-58607-03	AS-58607-03	AS-58607-03	AS-58607-03
7		Bulkhead Assembly	AS-58607-01	AS-58607-01	AS-58607-01	AS-58607-41
8		Exhaust Hood	AS-58629-01	AS-58629-01	AS-58629-01	AS-58629-01
		Combustion Air Inlet Hood	AE-58599-01	AE-58599-01	AE-58599-01	AE-58599-01
9		Corner Post - Before F4704	AS-58607-40	AS-58607-40	AS-58607-40	AS-58607-40
9		Corner Post - On or After F4704	AS-58607-40	AS-58607-40	AS-58607-40	AS-58607-46
10		Blower Access Panel - Before F4704	AS-58607-09	AS-58607-09	AS-58607-09	AS-58607-09
10		Blower Access Panel - On or After F4704	AS-58607-09	AS-58607-09	AS-58607-09	AS-58607-47
11		End Panel - Before F4704	AS-58607-04	AS-58607-04	AS-58607-04	AS-58607-04
11		End Panel - On or After F4704	AS-58607-04	AS-58607-04	AS-58607-04	AS-58607-48
12		Supply Cover - Pictured	AS-58607-06	AS-58607-06	AS-58607-06	AS-58607-06
12		Supply Cover - Side Option	AS-58607-35	AS-58607-35	AS-58607-35	AS-58607-35
13		Return Cover - Pictured	AS-58607-05	AS-58607-05	AS-58607-05	AS-58607-05
13		Return Cover - Side Option	AS-58607-34	AS-58607-34	AS-58607-34	AS-58607-34
14		Top Panel	AS-58607-07	AS-58607-07	AS-58607-07	AS-58607-07
15		Grille	AS-58634-01	AS-58634-01	AS-58634-01	AS-58634-01
16		Fan Motor	See Fan Group			
17		Fan Blade	See Fan Group			
18		Venturi	AE-58585-01	AE-58585-01	AE-58585-01	AE-58585-01
19		Filter Access Panel	AS-58607-08	AS-58607-08	AS-58607-08	AS-58607-08
20		Condenser Louver Panel - Before F4704	AS-58607-38	AS-58607-38	AS-58607-38	AS-58607-38
20		Condenser Louver Panel - On or After F4704	AS-58607-38	AS-58607-38	AS-58607-38	AS-58607-52
21		Center Post - Before F4704	AE-58569-01	AE-58569-01	AE-58569-01	AE-58569-01
21		Center Post - On or After F4704	AE-58569-01	AE-58569-01	AE-58569-01	AE-58569-03
22		Control Access Panel - Before F4704	AS-58607-20	AS-58607-20	AS-58607-20	AS-58607-20
22		Control Access Panel - On or After F4704	AS-58607-20	AS-58607-20	AS-58607-20	AS-58607-50
A		Panel Extension (Condenser) - Before F4704	N/A	N/A	N/A	AS-58607-43
B		Panel Extension (Burner and Electrical) - Before F4704	N/A	N/A	N/A	AS-59437-03
C		Panel Extension (Blower) - Before F4704	N/A	N/A	N/A	AS-58607-44
D		Panel Extension (Duct Opening) - Before F4704	N/A	N/A	N/A	AS-58607-45
E		Venturi Extension	N/A	N/A	N/A	AE-59432-01
F		Heat Exchanger Extension	N/A	N/A	N/A	AE-59433-01
23		Compressor	See Compressor Group			
24		Heat Exchanger	See Heat Exchanger Group			
24d		Collector Box	See Heat Exchanger Group			
25		Induced Draft Blower w/Gasket	See Electrical Group			
26		Control Box (w/o components)	AE-58597-01	AE-58597-01	AE-58597-01	AE-58597-01
27		Control Box Cover	AE-58598-01	AE-58598-01	AE-58598-01	AE-58598-01
28		Furnace Shelf	AS-58607-11	AS-58607-11	AS-58607-11	AS-58607-11
29		Burner Floor	AE-58594-01	AE-58594-01	AE-58594-01	AE-58594-01
30		Exhaust Transition	AS-58607-36	AS-58607-36	AS-58607-36	AS-58607-36
		Burner Assembly	See Burner Group			
		Bulkhead Valve (2)	61-22369-04	61-22369-04	61-22369-04	61-22369-04
		Bulkhead Valve Locknut (2)	63-22368-01	63-22368-01	63-22368-01	63-22368-01
		Heat Exchanger Tube Support	AE-58590-01	AE-58590-01	AE-58590-01	AE-58590-01
		Bulkhead Valve Cap (2)	83-100635-01	83-100635-01	83-100635-01	83-100635-01
		Grommet - Gas Supply Piping	56-22114-01	56-22114-01	56-22114-01	56-22114-01

No.	Notes	MODEL TECHNICAL VARIATION COOLING CAPACITY ELECTRICAL DESIGNATION	RRKA- A 018 J	RRKA- A 024 J	RRKA- A 030 J	RRKA- A 036 J	RRKA- A 042 J	RRKA- A 048 J	RRKA- A 060 J
ELECTRICAL GROUP									
25	Stk	Induced Draft Blower w/Gasket	70-23641-01	70-23641-01	70-23641-01	70-23641-01	70-23641-01	70-23641-01	70-23641-01
		Gasket - Induced Draft Blower	68-23643-01	68-23643-01	68-23643-01	68-23643-01	68-23643-01	68-23643-01	68-23643-01
		Limit Control (On Blower Shelf)	See the Heat Exchanger/Burner Group						
32	Stk	Contactora	42-20044-02	42-20044-02	42-20044-02	42-20044-02	42-20044-02	42-102851-03	42-102851-03
33	Stk	Pressure Switch	42-23564-03	42-23564-03	42-23564-03	42-23564-03	42-23564-03	42-23564-03	42-23564-03
34		Integrated Furnace Control Board (IFC)	See Gas Controls						
35	Stk	Transformer	46-18788-07	46-18788-07	46-18788-07	46-18788-07	46-18788-07	46-18788-07	46-18788-07
36		Capacitor - Blower Motor	See Blower Group						
37		Capacitor - Compressor/Fan	See Compressor Group						
51		Limit Control - Flame Roll-Out	See the Heat Exchanger/Burner Group						
	Stk	Compressor Time Delay Control	42-22756-02	42-22756-02	42-22756-02	42-22756-02	42-22756-02	42-22756-02	42-22756-02
		Wiring Harness - 9 pin to 6 pin and 4 flag terminals (6 pin to Fan Board)	AS-58696-01	AS-58696-01	AS-58696-01	AS-58696-01	AS-58696-01	AS-58696-01	AS-58696-01
		Wiring Harness - 9 pin to 9 terminals	AS-102393-02	AS-102393-02	AS-102393-02	AS-102393-02	AS-102393-02	AS-102393-02	AS-102393-02
		Leadwire - from Flame Sensor to 9 pin Wiring Harness Plug	45-25323-02	45-25323-02	45-25323-02	45-25323-02	45-25323-02	45-25323-02	45-25323-02
		Capacitor Adaptor Plate (2 in. round capacitor)	AE-54609-01	AE-54609-01	AE-54609-01	AE-54609-01	AE-54609-01	AE-54609-01	AE-54609-01
		Capacitor Adaptor Plate (2 in. X 1-1/4 in. oval capacitor)	AE-54609-02	AE-54609-02	AE-54609-02	AE-54609-02	AE-54609-02	AE-54609-02	AE-54609-02

No.	Notes	MODEL TECHNICAL VARIATION COOLING CAPACITY ELECTRICAL DESIGNATION	RRKA- A 036 C	RRKA- A 042 C	RRKA- A 048 C	RRKA- A 060 C			
ELECTRICAL GROUP									
25	Stk	Induced Draft Blower w/Gasket	70-23641-01	70-23641-01	70-23641-01	70-23641-01			
		Gasket - Induced Draft Blower	68-23643-01	68-23643-01	68-23643-01	68-23643-01			
		Limit Control (On Blower Shelf)	See the Heat Exchanger/Burner Group						
32	Stk	Contactora	42-22464-01	42-22464-01	42-22464-01	42-22464-01			
33	Stk	Pressure Switch	42-23564-03	42-23564-03	42-23564-03	42-23564-03			
34		Integrated Furnace Control Board (IFC)	See Gas Controls						
35	Stk	Transformer	46-18788-07	46-18788-07	46-18788-07	46-18788-07			
36		Capacitor - Blower Motor	See Blower Group						
37		Capacitor - Compressor/Fan	See Compressor Group						
51		Limit Control - Flame Roll-Out	See the Heat Exchanger/Burner Group						
	Stk	Compressor Time Delay Control	42-22756-02	42-22756-02	42-22756-02	42-22756-02			
		Wiring Harness - 9 pin to 6 pin and 4 flag terminals (6 pin to Fan Board)	AS-58696-01	AS-58696-01	AS-58696-01	AS-58696-01			
		Wiring Harness - 9 pin to 9 terminals	AS-102393-02	AS-102393-02	AS-102393-02	AS-102393-02			
		Leadwire - from Flame Sensor to 9 pin Wiring Harness Plug	45-25323-02	45-25323-02	45-25323-02	45-25323-02			
		Capacitor Adaptor Plate (2 in. round capacitor)	AE-54609-01	AE-54609-01	AE-54609-01	AE-54609-01			
		Capacitor Adaptor Plate (2 in. X 1-1/4 in. oval capacitor)	AE-54609-02	AE-54609-02	AE-54609-02	AE-54609-02			

No.	Notes	MODEL TECHNICAL VARIATION COOLING CAPACITY ELECTRICAL DESIGNATION	RRKA- A 018 J	RRKA- A 024 J	RRKA- A 030 J	RRKA- A 036 J	RRKA- A 042 J	RRKA- A 048 J	RRKA- A 060 J	
FAN GROUP										
16	Stk	Fan Motor	51-21856-06	51-21856-06	51-21854-02	51-21854-02	51-21854-02	51-21854-10	51-21853-21	
17	Stk	Fan Blade	70-20607-05	70-20607-05	70-21848-05	70-21848-05	70-21848-05	70-21848-07	70-21848-07	
37		Capacitor - Compressor/Fan	See Compressor Group							

No.	Notes	MODEL TECHNICAL VARIATION COOLING CAPACITY ELECTRICAL DESIGNATION	RRKA- A 036 C	RRKA- A 042 C	RRKA- A 048 C	RRKA- A 060 C			
FAN GROUP									
16	Stk	Fan Motor	51-21854-02	51-21854-02	51-21854-10	51-21853-21			
17	Stk	Fan Blade	70-21848-05	70-21848-05	70-21848-07	70-21848-07			
37	Stk	Capacitor - Fan Motor	43-100496-02	43-100496-02	43-100496-04	43-100496-04			

No.	Notes	MODEL TECHNICAL VARIATION COOLING CAPACITY	RRKA- A 018	RRKA- A 024	RRKA- A 030	RRKA- A 036	RRKA- A 042	RRKA- A 048	RRKA- A 060
BLOWER GROUP									
	Stk	Blower Assembly (Includes items 36-41)	AS-58662-01	AS-58662-01	AS-58662-02	AS-58662-02	AS-58662-02	AS-58662-06	AS-58662-06
36	Stk	Capacitor - Blower Motor	43-100496-04	43-100496-04	43-100496-12	43-100496-12	43-100496-12	43-100496-45	43-100496-45
38a		Housing	AS-58619-01	AS-58619-01	AS-58619-02	AS-58619-02	AS-58619-02	AS-58619-02	AS-58619-02
38b		Cut-Off	AE-64401-10	AE-64401-10	AE-64401-06	AE-64401-06	AE-64401-06	AE-64401-06	AE-64401-06
39	Stk	Blower Motor	51-23608-03	51-23608-03	51-23609-02	51-23609-02	51-23609-02	51-23650-01	51-23650-01
		Motor Mounting Bracket Assembly (includes items 40a, 40b)	AS-53148-03	AS-53148-03	AS-53148-04	AS-53148-04	AS-53148-04	AS-53148-04	AS-53148-04
40a		Motor Arm Assembly (3)	70-19929-02	70-19929-02	70-19929-02	70-19929-02	70-19929-02	70-19929-02	70-19929-02
40b		Motor Band	70-19927-01	70-19927-01	70-19927-01	70-19927-01	70-19927-01	70-19927-01	70-19927-01
41	Stk	Blower Wheel	70-18631-01	70-18631-01	70-18625-01	70-18625-01	70-18625-01	70-18625-01	70-18625-01

No.	Notes	MODEL TECHNICAL VARIATION COOLING CAPACITY	RRKA- A 018	RRKA- A 024	RRKA- A 030	RRKA- A 036	RRKA- A 042	RRKA- A 048	RRKA- A 060
COIL GROUP									
CONDENSER COIL:									
52	Stk	Condenser Coil	AS-58677-02	AS-58677-02	AS-58677-03	AS-58677-04	AS-58677-05	AS-58677-05	AS-58677-01
		Distributor - 1/2 in. to 3/8 in. two way	N/A	N/A	83-19988-01	83-19988-01	83-19988-01	83-19988-01	N/A
		Distributor - 5/8 in. to 3/8 in. four way	N/A	N/A	N/A	N/A	N/A	N/A	83-17467-31
		Access Valve Body (2)	61-18542-01	61-18542-01	61-18542-01	61-18542-01	61-18542-01	61-18542-01	61-18542-01
		Access Valve Core (2)	61-18551-01	61-18551-01	61-18551-01	61-18551-01	61-18551-01	61-18551-01	61-18551-01
		Access Valve Cap (2)	83-100635-01	83-100635-01	83-100635-01	83-100635-01	83-100635-01	83-100635-01	83-100635-01
EVAPORATOR COIL:									
53		Drain Trap (Attached to Drain Pan)	68-23603-01	68-23603-01	68-23603-01	68-23603-01	68-23603-01	68-23603-01	68-23603-01
54	Stk	Evaporator Coil	AS-58627-71	AS-58627-91	AS-58627-52	AS-58627-62	AS-58627-43	AS-58627-83	AS-58627-05
55		Drain Pan Grommet	56-23601-01	56-23601-01	56-23601-01	56-23601-01	56-23601-01	56-23601-01	56-23601-01
56	Stk	Drain Pan	AS-58607-32	AS-58607-32	AS-58607-32	AS-58607-32	AS-58607-32	AS-58607-32	AS-58607-32
57		Auxiliary Drain Pipe	AE-58611-01	AE-58611-01	AE-58611-01	AE-58611-01	AE-58611-01	AE-58611-01	AE-58611-01
59		Distributor Without Piston	N/A	N/A	N/A	N/A	N/A	61-23413-08	61-23413-10
60	Stk	Flowcheck Piston Kit	N/A	N/A	N/A	N/A	N/A	61-25414-15	61-25414-17
61	Stk	TXV	N/A	N/A	N/A	N/A	N/A	61-21922-50	61-21922-51
62		Cap Tube Assembly	AS-21821-43	AS-21821-44	AS-21821-03	AS-21821-29	AS-21821-15	N/A	N/A
		Condensate Barrier	AE-100544-01	AE-100544-01	AE-100544-01	AE-100544-01	AE-100544-01	AE-100544-01	AE-100544-01

No.	Notes	MODEL TECHNICAL VARIATION COOLING CAPACITY ELECTRICAL DESIGNATION	RRKA- A 018 J	RRKA- A 024 J	RRKA- A 030 J	RRKA- A 036 J	RRKA- A 042 J	RRKA- A 048 J	RRKA- A 060 J
COMPRESSOR GROUP									
		Compressor ID:	6228	6301	5338	5539	5540	6020	6670
23	Stk	Compressor	55-23140-03S	55-23140-10S	55-23139-50S	55-23139-62S	55-23139-41S	55-23140-50	55-23140-46S
37	Stk	Capacitor - Compressor/Fan	43-23204-03	43-23204-28	43-23204-34	43-23204-32	43-23204-31	43-23204-13	43-23204-43
		Compressor ID:	5168	5169	5170	5171	5172	6820	
23	Stk	Compressor	55-21737-10S	55-21737-70	55-21737-50	55-21737-62	55-21737-41	55-23140-77	
37	Stk	Capacitor - Compressor/Fan	43-26261-02	43-26261-05	43-23204-34	43-23204-32	43-23204-31	43-26261-10	

No.	Notes	MODEL TECHNICAL VARIATION COOLING CAPACITY ELECTRICAL DESIGNATION	RRKA- A 036 C	RRKA- A 042 C	RRKA- A 048 C	RRKA- A 060 C			
COMPRESSOR GROUP									
		Compressor ID:	5813	5814	6021	6671			
23	Stk	Compressor	55-23139-63S	55-23139-71S	55-23140-51	55-23140-47S			
37		Capacitor - Fan Motor				See Fan Group			
		Compressor ID:	5873	5874	6819				
23	Stk	Compressor	55-21737-63S	55-21737-71	55-23140-74				
37		Capacitor - Fan Motor				See Fan Group			

No.	Notes	MODEL TECHNICAL VARIATION HEATING CAPACITY	RRKA- A 04	RRKA- A 06	RRKA- A 08	RRKA- A 10
HEAT EXCHANGER, BURNER / MANIFOLD						
24	Stk	Heat Exchanger - Includes Center Panel and Turbulators	AS-58632-01	AS-58632-02	AS-58632-03	AS-58632-04
24a		Turbulators	AE-58591-02 (2)	AE-58591-02 (3)	AE-58591-02 (4)	AE-58591-02 (5)
24b		NOX Insert Assembly	75-23684-01 (2)	75-23684-01 (3)	75-23684-01 (4)	75-23684-01 (5)
24c		Lower Burner Assembly (NOX models)	AE-59148-01	AE-59148-01	AE-59148-01	AE-59148-01
		Collector Box Gasket	68-23644-01	68-23644-01	68-23644-01	68-23644-01
24d		Collector Box	AE-58588-01	AE-58588-01	AE-58588-01	AE-58588-01
	Stk	Limit Control (On Blower Shelf) - Cooling Capacity 018/024	47-23610-11	47-23610-05	47-23610-03	47-23610-01
	Stk	Limit Control (On Blower Shelf) - Cooling Capacity 030-060	47-23610-11	47-23610-03	47-23610-03	47-23610-01
29		Burner Floor	See Panels Group			
42		Radiation Shield	AE-58595-01	AE-58595-01	AE-58595-01	AE-58595-01
43	Stk	Burner Tube w/Shield	75-22840-01 (2)	75-22840-01 (3)	75-22840-01 (4)	75-22840-01 (5)
	Stk,3	One-piece Burner Retrofit Kit - See Note 3	AS-60993-82	AS-60993-83	AS-60993-84	AS-60993-85
44		Burner Support Bracket (2)	AE-61588-01	AE-61588-01	AE-61588-01	AE-61588-01
45	Stk	Manifold (w/o Orifices)	81-23604-01	81-23604-01	81-23604-01	81-23604-01
		Square Head Plug - (Used on Manifold to plug extra holes)	81-23593-01 (3)	81-23593-01 (2)	81-23593-01 (1)	N/A
47		Burner Orifice - Natural Gas	See Orifice Selection Chart			
47		Burner Orifice - LP	See Orifice Selection Chart			
47		Number of Orifices	(2)	(3)	(4)	(5)
48	Stk	Flame Sensor	62-23543-02	62-23543-02	62-23543-02	62-23543-02
49	Stk	Ignitor w/Cable	62-23556-01	62-23556-01	62-23556-01	62-23556-01
50		Burner Support - (Holds Burners between the Burner Support Brackets)	AE-58592-01	AE-58592-01	AE-58592-01	AE-58592-01
51	Stk,1	Limit - Manual Reset (Burner Compartment) - Before F2501 (See Note1)	47-22861-01	47-22861-01	47-22861-01	47-22861-01
51	Stk,1	Limit - Manual Reset (Burner Compartment) - After F2501 (See Note1)	47-100241-01	47-100241-01	47-100241-01	47-100241-01

No.	Notes	MODEL TECHNICAL VARIATION GAS CODE	RRKA- A 1A	RRKA- A 1C	RRKA- A 1D	RRKA- A 1F
GAS CONTROLS						
	Stk	Furnace Control Board	62-23554-02	62-23584-01	62-23554-02	62-23584-01
	Stk	Fan Board	47-23619-03	47-23619-03	47-23619-03	47-23619-03
46	Stk	Gas Valve - Natural Gas	60-105055-01	60-105055-01	60-23490-03	60-23490-03
46	Stk,2	Gas Valve - LP	See Note 2	See Note 2	See Note 2	See Note 2
	Stk	LP Conversion Kit	EP-85H	EP-85H	EP-84W	EP-84W

No.	Notes	MODEL TECHNICAL VARIATION GAS CODE	RRKA- A 1TF			
GAS CONTROLS						
	Stk	Furnace Control Board	62-23554-02			
	Stk	Fan Board	47-23619-03			
46	Stk	Gas Valve - Natural Gas	60-23490-01			
46	Stk,2	Gas Valve - LP	See Note 2			
	Stk	LP Conversion Kit	EP-84W			

No.	Notes	MODEL TECHNICAL VARIATION GAS CODE	RRKA- A 1R	RRKA- A 1S	RRKA- A 1X	RRKA- A 2A
GAS CONTROLS						
34	Stk	Integrated Furnace Control Board (IFC)	62-23599-01	62-23599-01	62-23599-01	62-23599-01
46	Stk	Gas Valve - Natural Gas	60-105055-01	60-23490-03	60-23490-01	60-24290-01
46	Stk,2	Gas Valve - LP	See Note 2	See Note 2	See Note 2	See Note 2
	Stk	LP Conversion Kit	EP-85H	EP-84W	EP-84W	EP-84W

No.	Notes	MODEL TECHNICAL VARIATION GAS CODE	RRKA- A 2G			
GAS CONTROLS						
34	Stk	Integrated Furnace Control Board (IFC)	62-23599-04			
46	Stk	Gas Valve - Natural Gas	60-105055-01			
46	Stk,2	Gas Valve - LP	See Note 2			
	Stk	LP Conversion Kit	EP-85H			

No.	Notes	MODEL TECHNICAL VARIATION COOLING CAPACITY	RRKA- A ALL
OPTIONS AND ACCESORIES			
		Economizer - 3 Position	RXRE-CAA30
		Economizer - Modulating	RXRD-CAM10
		Fresh Air Damper - 3 Position	RXRF-FAB1
		Fresh Air Damper - Fixed 35%	RXRF-FAA1
		Low Ambient Control	RXRZ-A18
		High Pressure Control	RXAB-A02
		Low Pressure Control	RXAC-A02

PACKAGE EQUIPMENT - ORIFICE SELECTION CHART - NATURAL GAS

CAUTION: Selection of the correct Natural Gas Orifice requires the following information for the specific installation:

- 1) Furnace Input Rating (BTU/HR)
- 2) Number of Burners
- 2) Altitude (ft.)

For detailed information and instructions for Orifice selection, see the Gas Furnace LP Conversion Kit Index 92-21519-47 and the latest edition of the National Fuel Gas Code Handbook, or the National Standard of Canada, Natural Gas and Propane Installation Code, CAN B149.1.

CAUTION: This information is provided for replacement purposes only. Conversion for operation at High Altitude must be done using the kit specified on the product specification sheet for the unit.

NOTE: This Orifice sizing chart is based on a Natural Gas heating value of 1075 BTU/cu. ft and a pressure setting of 3.5 in. water column.

NOTE: Factory installed orifices are calculated and sized based on a Natural Gas heating value of 1075 BTU/cu. ft. and an elevation of 0 - 2000 ft.

Furnace Input Rating (BTU/HR)	Canadian High Altitude Derated Input (BTU/HR)	Number of Burners	Elevation (ft.)					
			Country					
			0 - 2000 U.S.	2001 - 4000 U.S.	4001 - 6000 U.S.	8000+ U.S.	0 - 2000 Canada	2001 - 4500 Canada
40,000	36,000	2	62-22175-45	62-22175-47	62-22175-48	62-22175-49	62-22175-45	62-22175-15
60,000	54,000	3	62-22175-45	62-22175-47	62-22175-48	62-22175-49	62-22175-45	62-22175-15
72,000	N/A	4	62-22175-15	62-22175-49	62-22175-50	62-22175-51	62-22175-15	N/A
80,000	72,000	4	62-22175-45	62-22175-47	62-22175-48	62-22175-49	62-22175-45	62-22175-15
90,000	N/A	5	62-22175-15	62-22175-49	62-22175-50	62-22175-51	62-22175-15	N/A
100,000	90,000	5	62-22175-45	62-22175-47	62-22175-48	62-22175-49	62-22175-45	62-22175-15
120,000	108,000	6	62-22175-45	62-22175-47	62-22175-48	62-22175-49	62-22175-45	62-22175-15
135,000	121,500	6	62-22175-44	62-22175-45	62-22175-47	62-22175-48	62-22175-44	62-22175-45
150,000	135,000	6	62-22175-42	62-22175-43	62-22175-44	62-22175-45	62-22175-42	62-22175-44
180,000	N/A	9	62-22175-45	62-22175-47	62-22175-48	62-22175-49	62-22175-45	N/A
210,000	N/A	9	62-22175-43	62-22175-44	62-22175-45	62-22175-47	62-22175-43	N/A
210,000	N/A	10	62-22175-45	62-22175-47	62-22175-48	62-22175-49	62-22175-45	N/A
225,000	202,500	9	62-22175-42	62-22175-43	62-22175-44	62-22175-45	62-22175-42	62-22175-44
250,000	225,000	10	62-22175-42	62-22175-43	62-22175-44	62-22175-45	62-22175-42	62-22175-44
252,000	225,000	9	62-22175-40	62-22175-42	62-22175-43	62-22175-44	62-22175-40	62-22175-42
252,000	N/A	12	62-22175-45	62-22175-47	62-22175-48	62-22175-49	62-22175-45	N/A
290,000	N/A	14	62-22175-45	62-22175-47	62-22175-48	62-22175-49	62-22175-45	N/A
300,000	270,000	12	62-22175-42	62-22175-43	62-22175-44	62-22175-45	62-22175-42	62-22175-44
330,000	N/A	14	62-22175-43	62-22175-44	62-22175-45	62-22175-47	62-22175-43	N/A
350,000	315,000	14	62-22175-42	62-22175-43	62-22175-44	62-22175-45	62-22175-42	62-22175-44
400,000	360,000	14	62-22175-40	62-22175-42	62-22175-43	62-22175-44	62-22175-40	62-22175-42

PACKAGE EQUIPMENT - ORIFICE SELECTION CHART - LP

CAUTION: Selection of the correct LP Orifice requires the following information for the specific installation:

- 1) Furnace Input Rating (BTU/HR)
- 2) Number of Burners
- 2) Altitude (ft.)

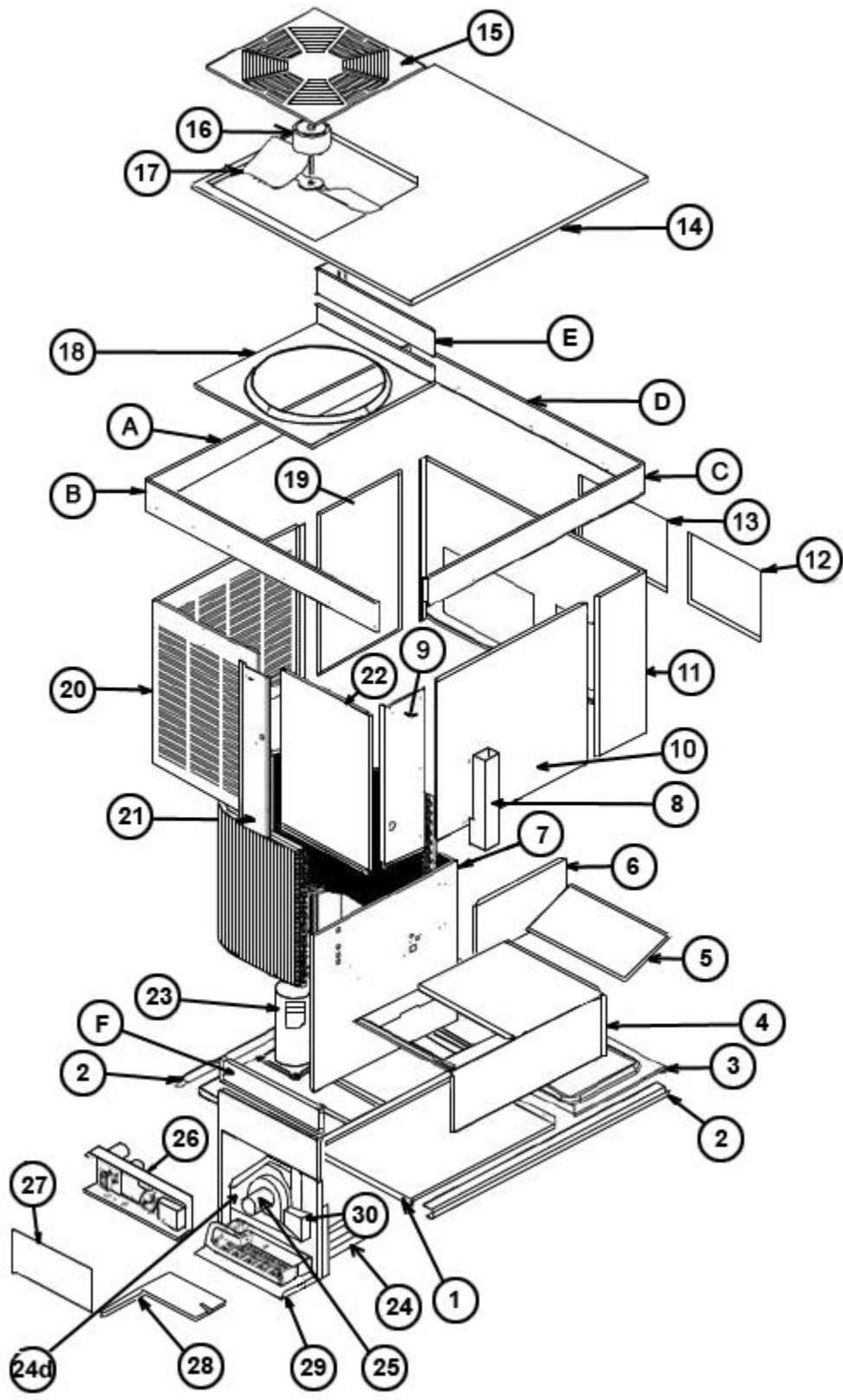
For detailed information and instructions for Orifice selection, see the Gas Furnace LP Conversion Kit Index 92-21519-47 and the latest edition of the National Fuel Gas Code Handbook, or the National Standard of Canada, Natural Gas and Propane Installation Code, CAN B149.1.

CAUTION: This information is provided for replacement purposes only. Conversion to LP or for operation at High Altitude should be done using the kit(s) specified on the product specification sheet for the unit.

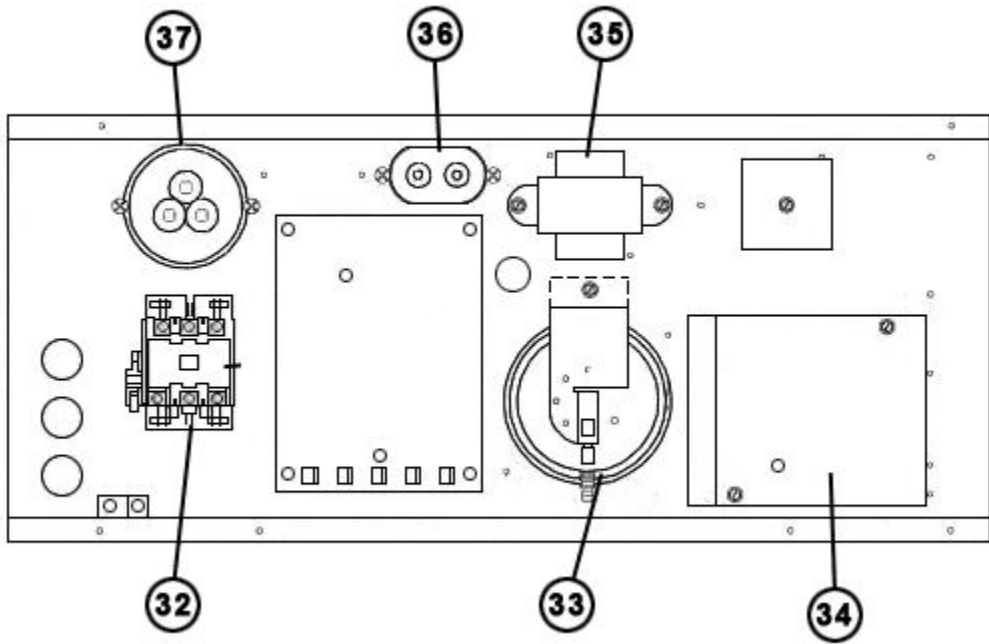
NOTE: This Orifice sizing chart is developed using the specified pressure setting of 10 in. water column instead of the 11.0 in water column used by the NFG and CANB149.1.

NOTE: Orifices supplied in the LP Conversion Kit are calculated and sized based on a heating value of 2500 BTU/cu. ft. and an elevation of 0 - 2000 ft.

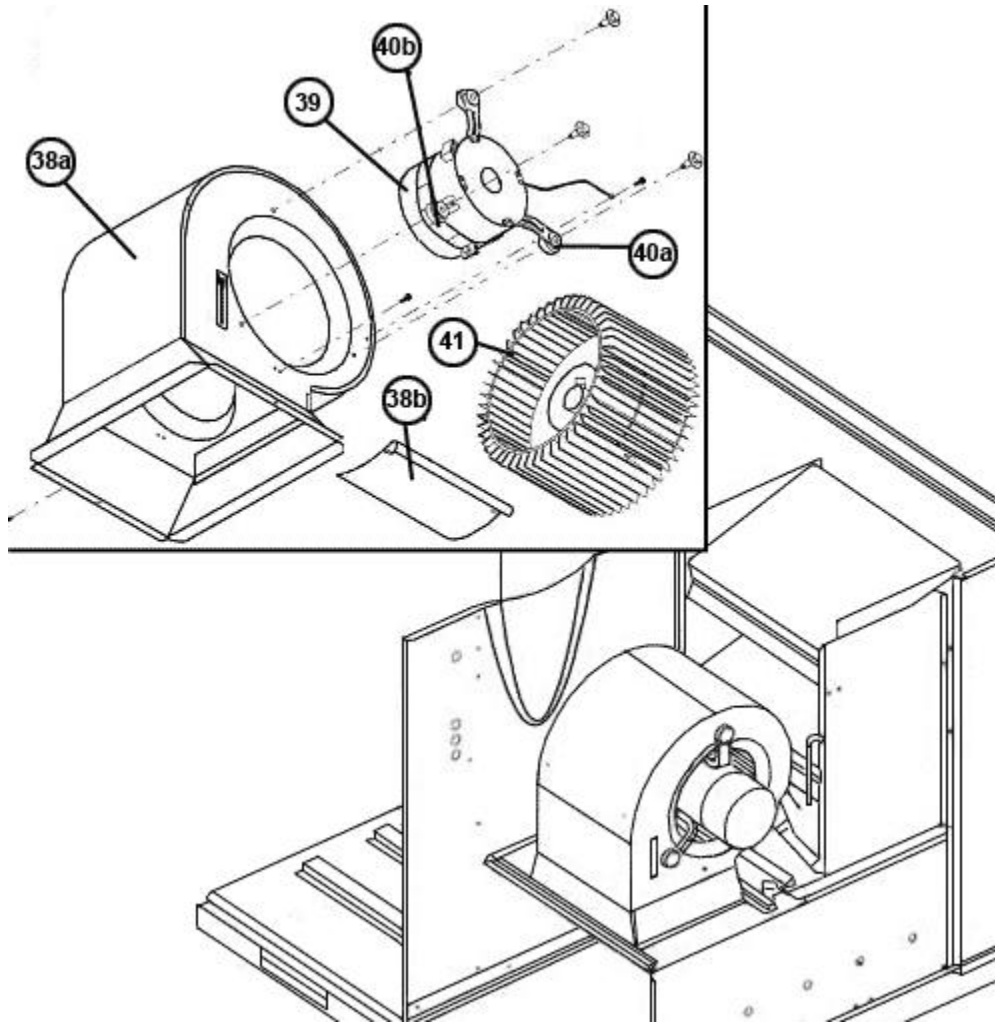
Furnace Input Rating (BTU/HR)	Canadian High Altitude Derated Input (BTU/HR)	Number of Burners	Elevation (ft.)					
			Country					
			0 - 2000 U.S.	2001 - 4000 U.S.	4001 - 6000 U.S.	8000+ U.S.	0 - 2000 Canada	2001 - 4500 Canada
40,000	36,000	2	62-22175-55	62-22175-55	62-22175-56	62-22175-56	62-22175-55	62-22175-13
60,000	54,000	3	62-22175-55	62-22175-55	62-22175-56	62-22175-56	62-22175-55	62-22175-13
72,000	N/A	4	62-22175-13	62-22175-57	62-22175-57	62-22175-59	62-22175-13	N/A
80,000	72,000	4	62-22175-55	62-22175-55	62-22175-56	62-22175-56	62-22175-55	62-22175-13
90,000	N/A	5	62-22175-13	62-22175-57	62-22175-57	62-22175-59	62-22175-13	N/A
100,000	90,000	5	62-22175-55	62-22175-55	62-22175-56	62-22175-56	62-22175-55	62-22175-13
120,000	108,000	6	62-22175-55	62-22175-55	62-22175-56	62-22175-56	62-22175-55	62-22175-13
135,000	121,500	6	62-22175-54	62-22175-55	62-22175-55	62-22175-56	62-22175-54	62-22175-55
150,000	135,000	6	62-22175-54	62-22175-55	62-22175-55	62-22175-56	62-22175-54	62-22175-54
180,000	N/A	9	62-22175-55	62-22175-55	62-22175-56	62-22175-56	62-22175-55	N/A
210,000	N/A	9	62-22175-54	62-22175-55	62-22175-55	62-22175-56	62-22175-54	N/A
210,000	N/A	10	62-22175-55	62-22175-55	62-22175-56	62-22175-56	62-22175-55	N/A
225,000	202,500	9	62-22175-54	62-22175-55	62-22175-55	62-22175-56	62-22175-54	62-22175-54
250,000	225,000	10	62-22175-54	62-22175-55	62-22175-55	62-22175-56	62-22175-54	62-22175-54
252,000	225,000	9	62-22175-53	62-22175-54	62-22175-54	62-22175-55	62-22175-53	62-22175-54
252,000	N/A	12	62-22175-55	62-22175-55	62-22175-56	62-22175-56	62-22175-55	N/A
290,000	N/A	14	62-22175-55	62-22175-55	62-22175-56	62-22175-56	62-22175-55	N/A
300,000	270,000	12	62-22175-54	62-22175-55	62-22175-55	62-22175-56	62-22175-54	62-22175-54
330,000	N/A	14	62-22175-54	62-22175-55	62-22175-55	62-22175-56	62-22175-54	N/A
350,000	315,000	14	62-22175-54	62-22175-55	62-22175-55	62-22175-56	62-22175-54	62-22175-54
400,000	360,000	14	62-22175-53	62-22175-54	62-22175-54	62-22175-55	62-22175-53	62-22175-54



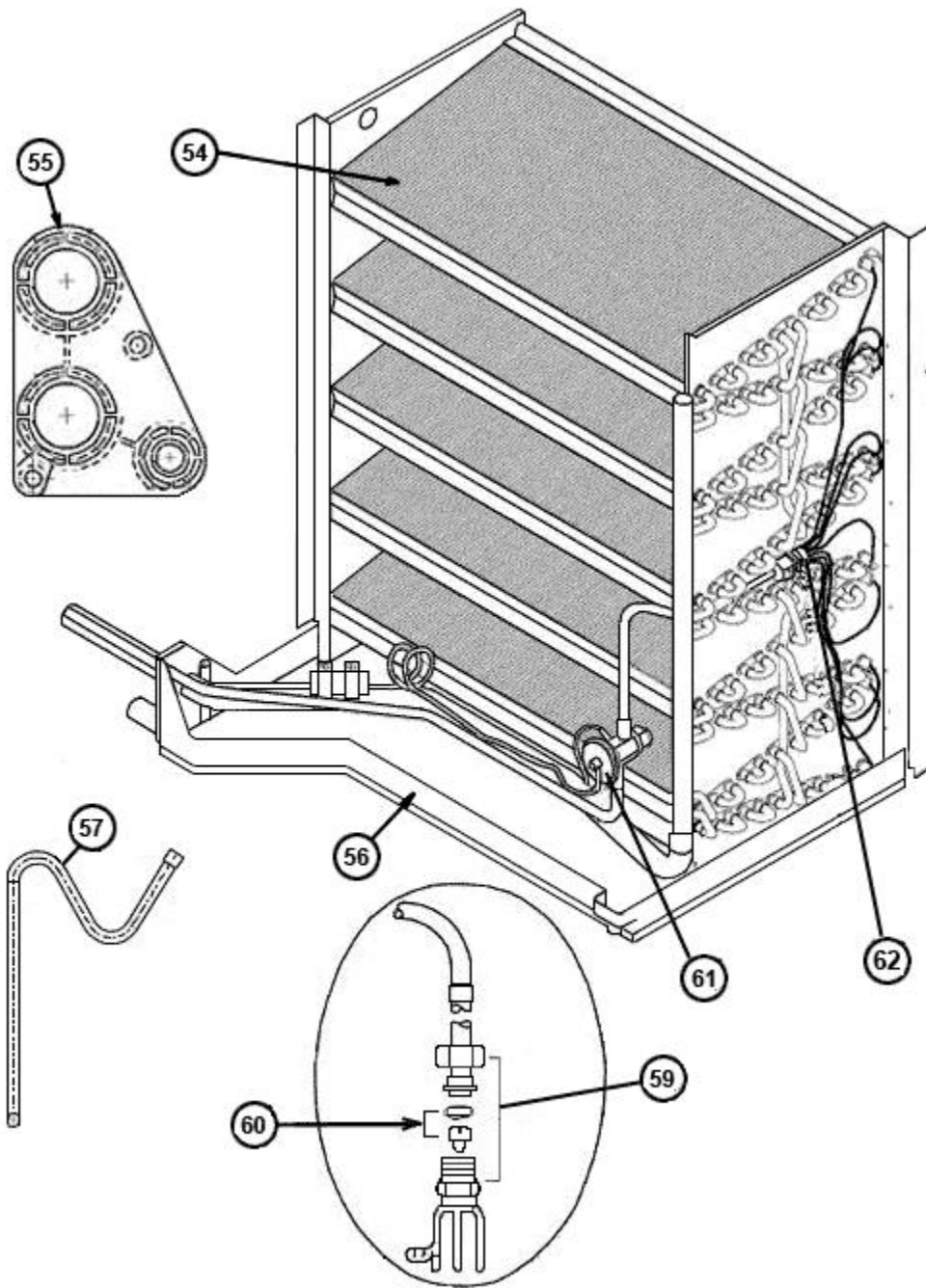
Exploded View



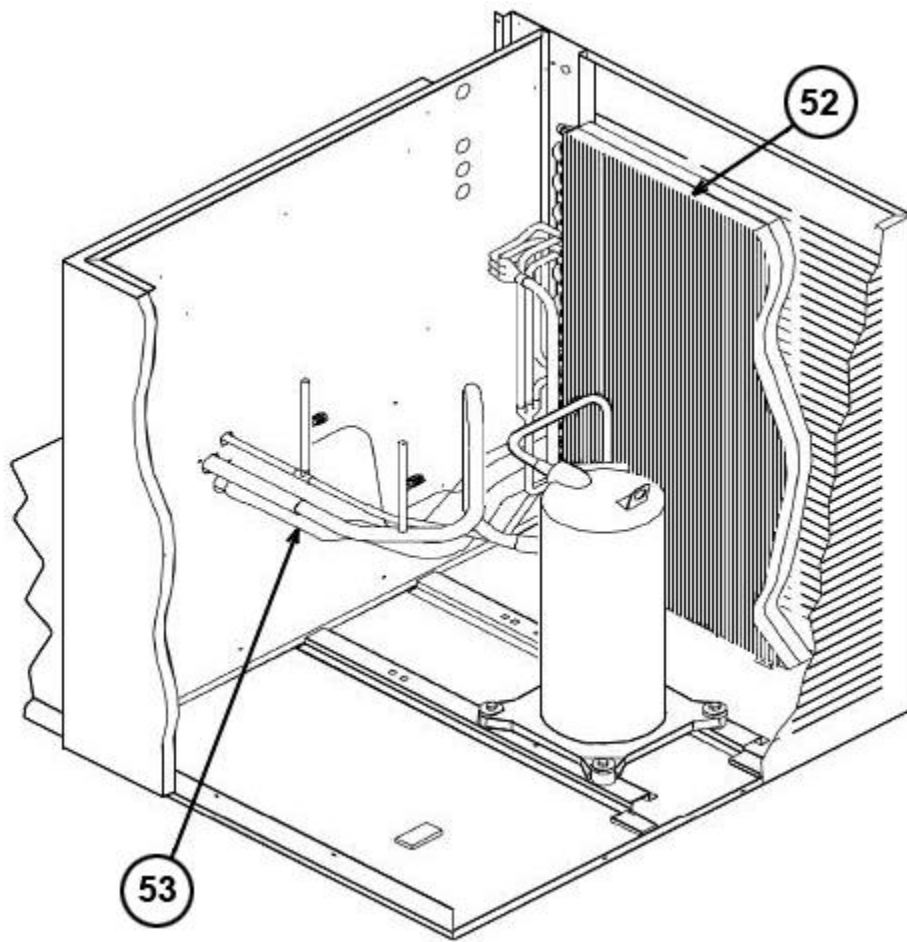
Control Box Assembly



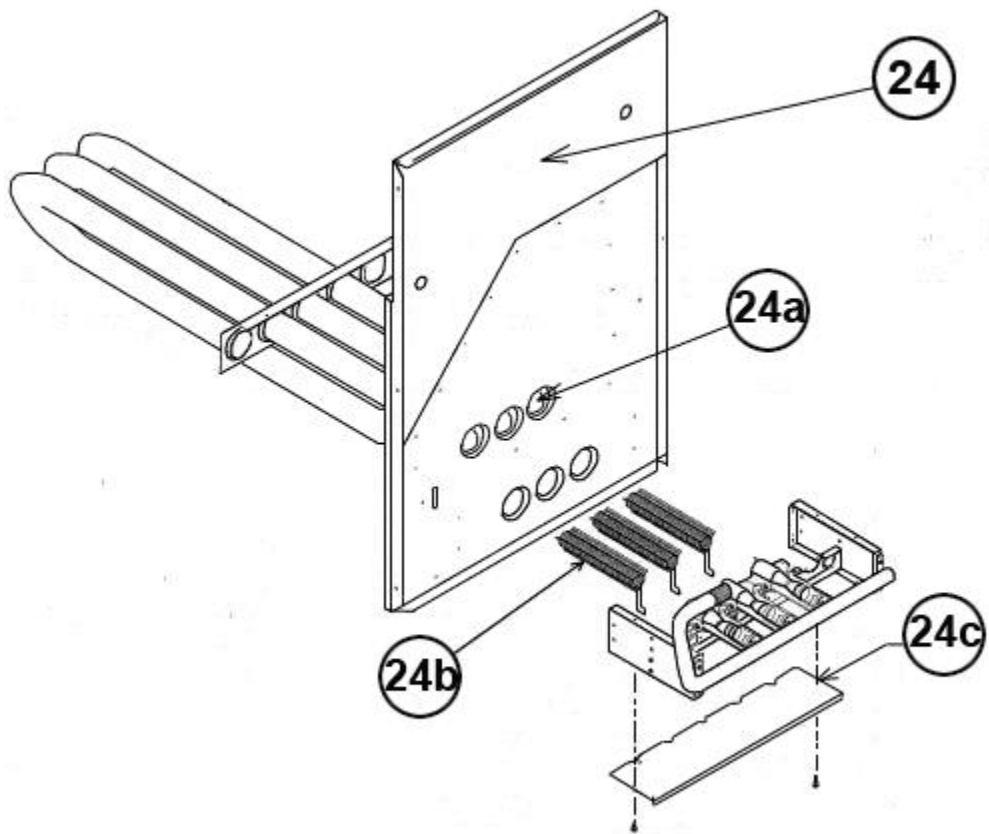
Blower Assembly



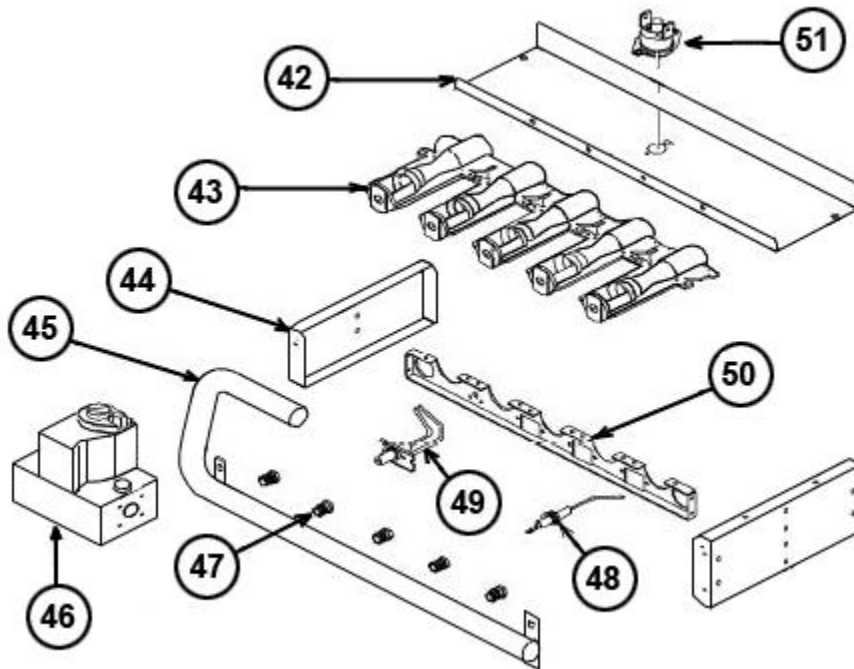
Evaporator Coil Assembly



Condenser Coil Group



Heat Exchanger Assembly



Burner Assembly

NOTES

Stk It is recommended that stock be maintained for this part.

N/A Not Applicable

- 1 The Flame Roll-Out Limit Control on these models was changed on the date code shown to a higher-rated switch. This change was made in order to reduce nuisance tripping. It is recommended that the higher-rated switch be used for replacement.
- 2 Order Gas Valve for Natural Gas along with LP Conversion Kit.
- 3 This kit includes all necessary items to retrofit units using individual burner tubes with the later one-piece burner design.

DISCLAIMER: This document is intended to provide general replacement parts information to aid qualified service personnel in the repair of these models. The complete Model and Serial Number of the unit under repair should be specified when selecting and ordering replacement parts. Specifications and illustrations are subject to change without notice. Document 92-42800-RRKA-A supersedes all previous parts lists for these models. See <http://www.rheempartslists.net/92-42800-RRKA-A> for the latest revision of this document. The manufacturer assumes no obligation for errors or omissions. Service personnel must verify the proper and safe operation of equipment after the replacement of any original components.