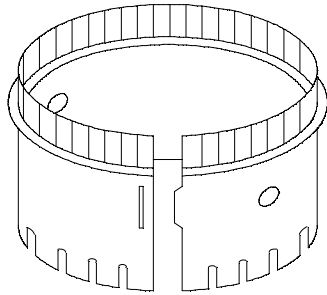


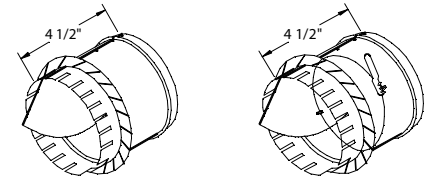
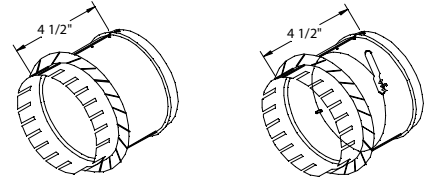
AIR DUCT PRODUCTS

951.493.0082 office
951.808.9076 fax

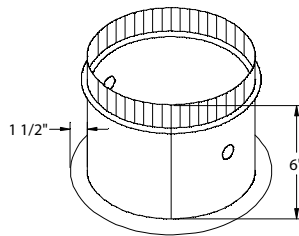
Start Collars



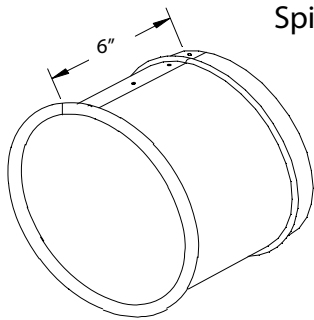
Duct Board Start Collars



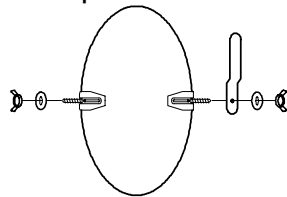
Air-Tite Start Collars



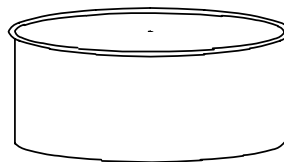
Spin-Ins



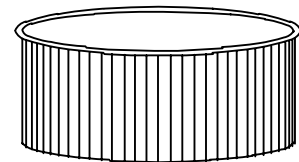
Dampers



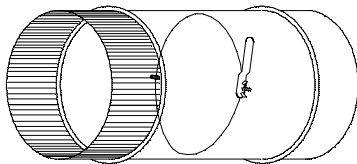
Round End Cap



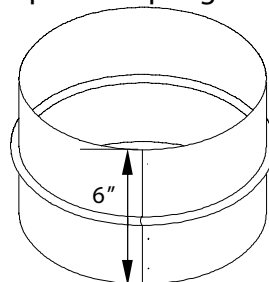
Round End Plug



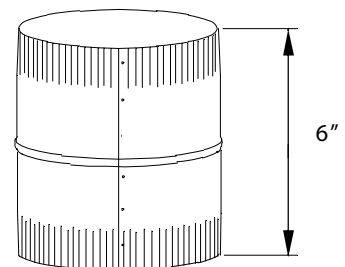
Volume Dampers



Spiral Coupling



FS Connectors



AIR DUCT PRODUCTS

951.493.0082 office
951.808.9076 fax

Start Collars

30 GA	5250.	5251.
SIZE	5"	6"
4"	\$ 1.20	\$ 1.55
5"	1.38	1.76
6"	1.55	1.97
7"	1.73	2.18
8"	1.92	2.41
9"	2.10	2.60
10"	2.28	2.82
12"	2.63	3.24
14"	3.04	3.66
16"	3.39	4.08
18"	3.74	4.50
20"	4.10	4.93

26 GA	5250.	5251.
SIZE	5"	6"
4"	\$ 1.46	\$ 1.86
5"	1.70	2.14
6"	1.93	2.43
7"	2.17	2.71
8"	2.42	3.01
9"	2.66	3.27
10"	2.90	3.57
12"	3.37	4.13
14"	3.91	4.70
16"	4.38	5.26
18"	4.84	5.82
20"	5.33	6.40
22"	5.79	6.96
24"	6.38	7.53

Heavy Duty	
24 GA	5253.
SIZE	6"
14"	7.01
16"	7.70
18"	8.39
20"	9.10
22"	9.79
24"	10.49

Heavy Duty	
22 GA	5253.
SIZE	6"
16"	9.10
18"	9.95
20"	10.84
22"	11.70
24"	12.57

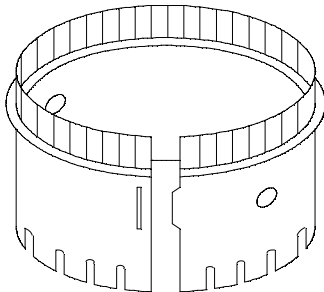
Start Collar Standards:

- Available 25 pieces per bundle
- Available in 5" and 6" heights
 - Damper holes
- Available with double dead
 - 5254.dd 5"
 - 5255.dd 6"

Heavy Duty Start Collar Standards:

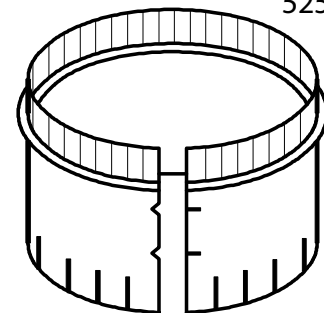
- 10 pieces per bundle
- Crimp and bead at top
 - 6" tall
- Only available in 24 GA or heavier
 - Available with double bead
 - 5257.dd

5250./5251.



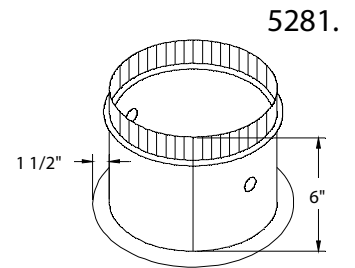
Crimp and bead at top

5253.



Air-Tite Start Collars

30 GA	Collar Only	Collar w/ Damper	Collar w/ Scoop	w/ Scoop & Damper
SIZE	5281.	5282.	5283.	5284.
4"	\$ 4.98	\$ 7.43	\$ 6.21	\$ 10.55
5"	5.36	7.88	6.68	11.10
6"	5.99	8.59	7.36	11.86
7"	6.57	9.29	8.00	12.61
8"	7.11	9.95	8.71	13.45
9"	7.78	10.76	9.66	14.54
10"	8.44	11.58	10.40	15.44



Air-Tite Standards:

- 1 1/2" gasket attached to flange with peel-off backing

28 GA	Collar Only	Collar w/ Damper	Collar w/ Scoop	w/ Scoop & Damper
SIZE	5281.	5282.	5283.	5284.
12"	\$ 9.70	\$ 13.29	\$ 12.04	\$ 17.53
14"	10.66	14.72	13.56	19.52
16"	11.90	16.51	15.63	22.14

26 GA	Collar Only	Collar w/ Damper	Collar w/ Scoop	w/ Scoop & Damper
SIZE	5281.	5282.	5283.	5284.
18"	\$ 14.53	\$ 20.52	\$ 19.78	\$ 27.67
20"	16.16	23.03	22.89	31.65

Duct Board Start Collars

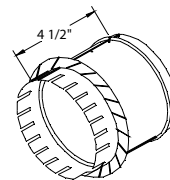
Duct Board Start Collars are available in sizes from 4" to 20"

Please use the following part numbers:

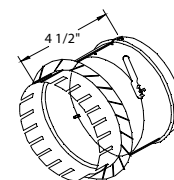
Collar Only 5291.dd
Collar w/Damper 5292.dd
Collar w/Scoop 5293.dd
w/Scoop & Damper 5294.dd

Call for pricing

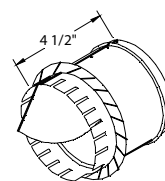
5291.



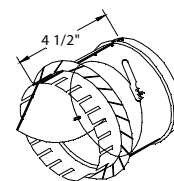
5292.



5293.



5294.



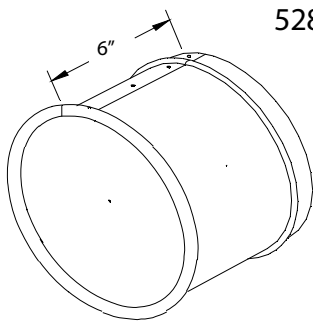
AIR DUCT PRODUCTS

951.493.0082 office
951.808.9076 fax

Sheet Metal Spin-Ins

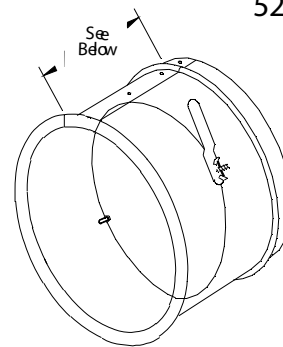
30 GA				
SIZE	5285.	5286.	5287.	5288.
4"	\$ 2.77	\$ 4.74	\$ 3.53	\$ 6.21
5"	2.99	5.21	3.83	6.76
6"	3.20	5.76	4.09	7.37
7"	3.41	6.40	4.36	8.06
8"	3.62	7.13	4.74	8.96
9"	3.83	7.94	5.23	10.06
10"	4.04	8.85	5.52	11.04

28 GA				
SIZE	5285.	5286.	5287.	5288.
12"	4.62	11.38	6.49	13.95
14"	5.07	13.95	7.50	17.09
16"	5.52	16.90	8.78	20.87



5285.

TC (no damper)
All diameters = 6" long



5286.

TCD (with standard damper)
Length = diameter + 2"

Duct Board Spin-Ins

Duct Board Spin-Ins are available in sizes from 4" to 20"

Please use the following part numbers:

Spin-In Only 5295.dd

Spin-In w/Damper 5296.dd

Spin-In w/Scoop 5297.dd

w/Scoop & Damper 5298.dd

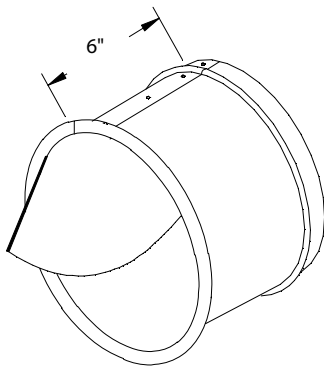
Call for pricing

Sheet Metal Spin-Ins

26 GA				
SIZE	5285.	5286.	5287.	5288.
4"	\$ 3.08	\$ 5.08	\$ 3.93	\$ 6.65
5"	3.36	5.71	4.33	7.39
6"	3.64	6.45	4.68	8.20
7"	3.92	7.31	5.04	9.13
8"	4.21	8.28	5.55	10.34
9"	4.49	9.38	6.21	11.82
10"	4.77	10.59	6.60	13.13
12"	5.34	13.37	7.57	16.31
14"	5.90	16.62	8.84	20.27
16"	6.47	20.34	10.45	25.04
18"	7.04	24.54	11.81	30.02
20"	7.60	29.20	14.69	37.01

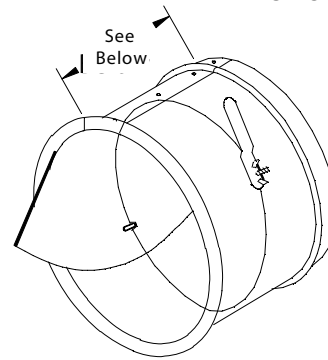
24 GA				
SIZE	5285.	5286.	5287.	5288.
14"	6.83	19.58	10.33	23.80
16"	7.52	24.16	12.31	29.66
18"	8.22	29.32	13.98	35.79
20"	8.91	35.05	17.53	44.38

5287.



TCE (no damper)
All diameters = 6" long

5288.



TCDE (with standard damper)
Length = diameter + 2"

AIR DUCT PRODUCTS

951.493.0082 office
951.808.9076 fax

Damper Disks with Standard Hardware

SIZE	30 GA
4"	\$ 2.86
5"	2.93
6"	3.02
7"	3.13
8"	3.25
9"	3.40
10"	3.56

SIZE	28 GA
4"	\$ 2.87
5"	2.94
6"	3.04
7"	3.15
8"	3.29
9"	3.44
10"	3.61
12"	4.01
14"	4.48
16"	5.02

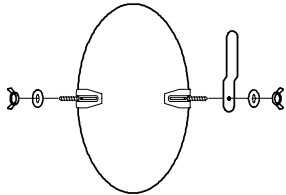
SIZE	26 GA
4"	\$ 2.90
5"	3.00
6"	3.12
7"	3.26
8"	3.43
9"	3.62
10"	3.84
12"	4.34
14"	4.93
16"	5.62
18"	6.41
20"	7.28

SIZE	24 GA
4"	\$ 2.93
5"	3.05
6"	3.20
7"	3.38
8"	3.59
9"	3.82
10"	4.09
12"	4.70
14"	5.43
16"	6.28
18"	7.25
20"	8.33
22"	9.52
24"	10.84

SIZE	22 GA
16"	7.15
18"	8.36
20"	9.70
22"	11.19
24"	12.83

- 5262. Damper w/Hardware
- 5263. Volume Damper
- 5351. Spiral Coupling
- 5355. FS Connector

5262.



Volume Dampers

Dia	30 GA
4"	\$ 5.05
5"	5.33
6"	5.63
7"	5.94
8"	6.28
9"	6.95
10"	7.72

Dia	28 GA
4"	\$ 5.12
5"	5.41
6"	5.73
7"	6.06
8"	6.42
9"	7.14
10"	7.96
12"	9.86
14"	12.14
16"	14.78

Dia	26 GA
4"	\$ 5.40
5"	5.76
6"	6.17
7"	6.59
8"	7.04
9"	7.95
10"	8.98
12"	11.38
14"	14.25
16"	17.59
18"	21.40
20"	25.71

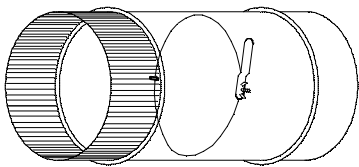
Dia	24 GA
4"	\$ 5.71
5"	6.16
6"	6.65
7"	7.18
8"	7.73
9"	8.84
10"	10.12
12"	13.07
14"	16.60
16"	20.70
18"	25.39
20"	30.69
22"	36.53
24"	42.95

Dia	22 GA
16"	\$ 24.80
18"	30.64
20"	37.24
22"	44.52
24"	52.52

Length =
Diameter - 2"
(4" - 8" diameter
= 6" length)

Standard hardware
used is light duty,
with one spring-
loaded bearing and
double wing nuts
and washers

5263.

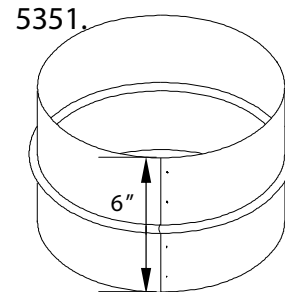


Spiral Coupling

SIZE	26 GA
4"	\$ 2.60
5"	2.88
6"	3.17
7"	3.45
8"	3.73
9"	4.02
10"	4.30
12"	4.86
14"	5.43
16"	6.00
18"	6.56
20"	7.13

SIZE	24 GA
4"	\$ 2.87
5"	3.22
6"	3.57
7"	3.91
8"	4.26
9"	4.61
10"	4.96
12"	5.65
14"	6.35
16"	7.05
18"	7.74
20"	8.44
22"	9.13
24"	9.83
26"	10.53

SIZE	22 GA
16"	\$ 8.43
18"	9.30
20"	10.16
22"	11.03
24"	11.90
26"	12.76
28"	13.63
30"	14.50



- Spiral Coupling Standards:**
- Undersized to fit inside of spiral pipe
 - Bead in the middle of coupling
 - 6" tall
 - Shipped assembled

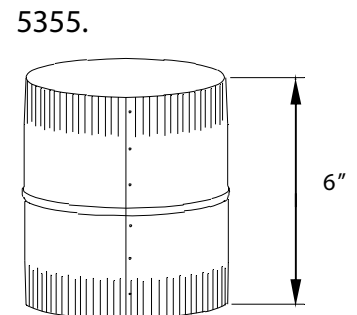
FS Connectors

SIZE	30 GA
4"	\$ 1.50
5"	1.71
6"	1.92
7"	2.14
8"	2.36
9"	2.55
10"	2.77

SIZE	26 GA
4"	\$ 1.81
5"	2.10
6"	2.38
7"	2.66
8"	2.96
9"	3.22
10"	3.52
12"	4.08
14"	4.65
16"	5.21
18"	5.77
20"	6.35

SIZE	24 GA
4"	\$ 2.10
5"	2.44
6"	2.79
7"	3.14
8"	3.51
9"	3.83
10"	4.19
12"	4.88
14"	5.58
16"	6.28
18"	6.96
20"	7.67

SIZE	22 GA
16"	\$ 7.67
18"	8.53
20"	9.42



- FS Connector Standards:**
- 6" tall
 - Crimped at the top & bottom
 - One bead in the middle
 - Shipped KD (not shown)

AIR DUCT PRODUCTS

951.493.0082 office
951.808.9076 fax

Round End Caps/Plugs

SIZE	30 GA
3"	\$ 1.40
4"	1.54
5"	1.69
6"	1.87
7"	2.06
8"	2.27
9"	2.50
10"	2.75

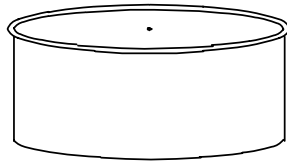
SIZE	28 GA
3"	\$ 1.42
4"	1.57
5"	1.74
6"	1.92
7"	2.13
8"	2.35
9"	2.59
10"	2.86
12"	3.44
14"	4.09
16"	4.82

SIZE	26 GA
3"	\$ 1.51
4"	1.70
5"	1.91
6"	2.15
7"	2.40
8"	2.69
9"	2.99
10"	3.32
12"	4.06
14"	4.88
16"	5.80
18"	6.81
20"	7.92
22"	9.12
24"	10.42

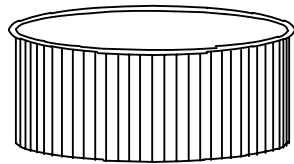
SIZE	24 GA
4"	\$ 1.84
5"	2.10
6"	2.39
7"	2.71
8"	3.06
9"	3.44
10"	3.84
12"	4.74
14"	5.76
16"	6.89
18"	8.13
20"	9.50
22"	10.98
24"	12.57
26"	14.28
28"	16.11

SIZE	22 GA
16"	\$ 8.32
18"	9.87
20"	11.57
22"	13.41
24"	15.40
26"	17.53
28"	19.81
30"	22.23

5341. Cap



5342. Plug



Round End Cap/Plug Standards:

- Round End Cap fits over crimped pipe and is not crimped
- Round End Plug fits inside raw pipe, and is crimped - 2" deep

5341. Round End Cap

5342. Round End Plug