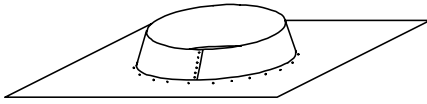


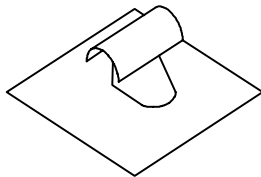
# AIR DUCT PRODUCTS

951.493.0082 office  
951.808.9076 fax

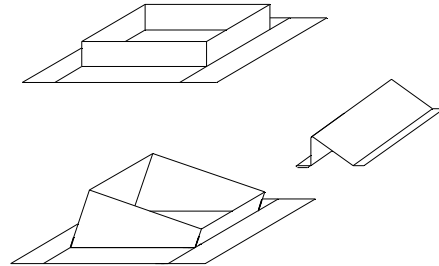
### Conductor Flashing



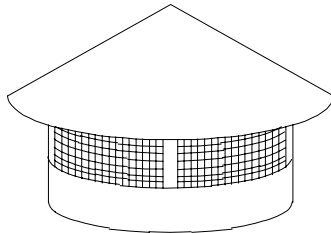
### T-Top



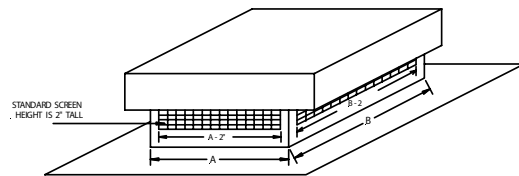
### Cooler Flashing & Clips



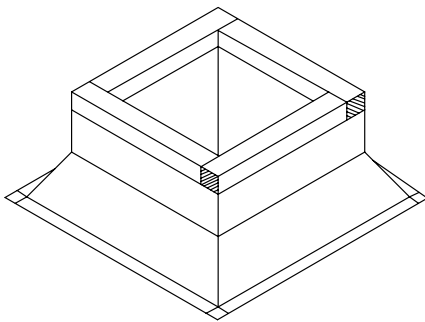
### China Cap



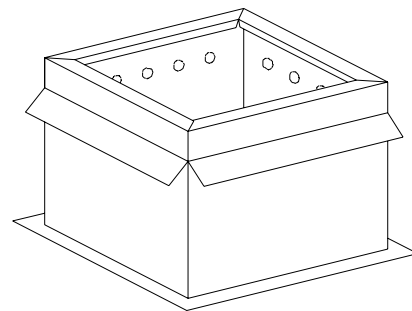
### Econo Vent



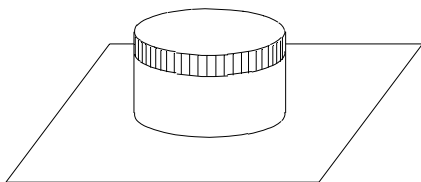
### Canted Fan Curb



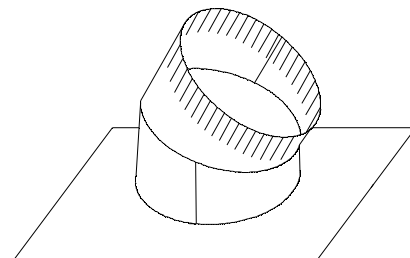
### Vented Fan Curb



### Flat Rotary Base



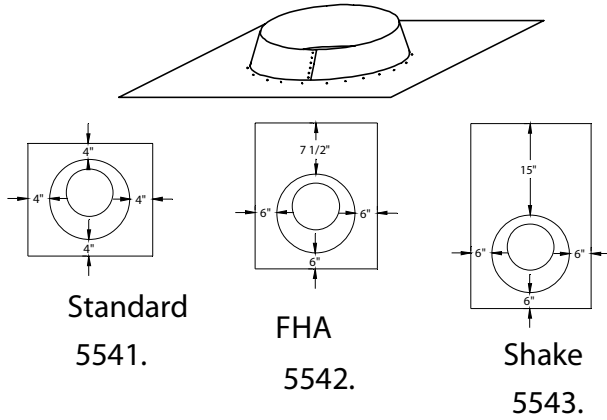
### Adjustable Rotary Base



# AIR DUCT PRODUCTS

951.493.0082 office  
951.808.9076 fax

## Conductor Flashings



### Conductor Flashing Standards:

- 26 GA
- Sealed
- Flat to 4/12 pitch
- Short side 4" tall

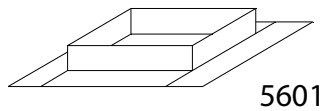
SIZE	Standard	FHA	Shake
	5541.	5542.	5543.
4"	\$ 9.33	\$ 12.23	\$ 13.94
5"	10.98	14.12	15.97
6"	11.99	15.30	17.24
7"	12.83	16.22	18.20
8"	14.44	18.08	20.19
9"	16.70	20.59	22.84
10"	17.27	21.24	23.53
12"	21.44	25.79	28.27
14"	25.28	29.96	32.62
16"	29.20	34.22	37.06
18"	33.75	39.11	42.13
20"	38.05	43.75	46.95

## Cooler Flashings

SIZE	Flat	1:12 to 4:12 Fixed Pitch	Adjustable
	5601.	5602.	5603.
13 1/2 x 13 1/2	\$ 18.42	\$ 23.76	-
14 1/2 x 14 1/2	19.14	25.07	-
15 1/2 x 15 1/2	19.86	26.41	\$ 80.23
17 1/2 x 17 1/2	21.30	29.18	85.21
18 1/2 x 18 1/2	22.02	30.61	90.76
19 1/2 x 19 1/2	22.74	32.07	94.31
20 1/2 x 20 1/2	23.46	33.56	99.87

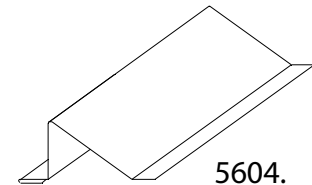
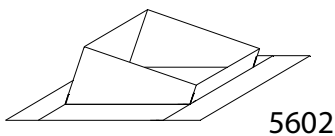
## Cooler Clips

SIZE	Single Clip	Set of Four
	5604.	5605.
13"	\$ 2.95	\$ 9.79
14"	3.04	10.15
15"	3.13	10.51
17"	3.31	11.23
18"	3.40	11.59
19"	3.49	11.95
20"	3.58	12.31



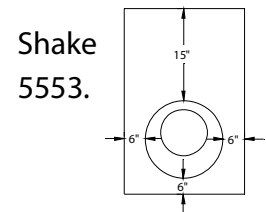
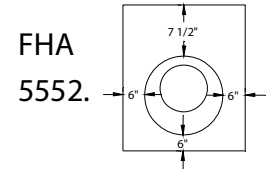
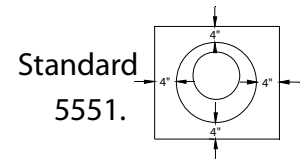
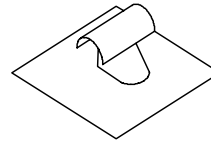
### Cooler Flashing Standards:

- 26 GA
- 6" tall
- 4" skirt



## T-Tops

SIZE	Standard	FHA	Shake	STD w/Screen
	5551.	5552.	5553.	5554.
3"	\$ 10.05	\$ 12.89	\$ 14.51	\$ 11.38
4"	11.13	14.02	15.74	12.60
5"	13.09	16.23	18.08	14.56
6"	14.45	17.76	19.69	15.73
7"	15.66	19.06	21.04	17.32
8"	17.67	21.31	23.43	19.44
9"	20.37	24.26	26.51	22.25
10"	21.40	25.37	27.67	23.42
12"	26.60	30.95	33.42	28.92
14"	31.57	36.26	38.92	34.24



### T-Top Standards:

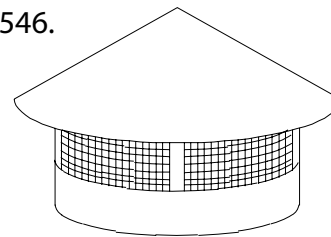
- 26 GA
- Sealed at base

## China Caps

28 GA	
SIZE	Price
3"	\$ 14.08
4"	14.90
5"	16.00
6"	17.69
7"	18.96
8"	19.68
9"	21.31
10"	22.56
12"	26.16

26 GA	
SIZE	Price
5"	\$ 17.30
6"	19.41
7"	20.97
8"	21.85
9"	23.87
10"	25.40
12"	29.89
14"	35.36
16"	40.14
18"	46.83
20"	52.17

5546.



5546. China Cap

# AIR DUCT PRODUCTS

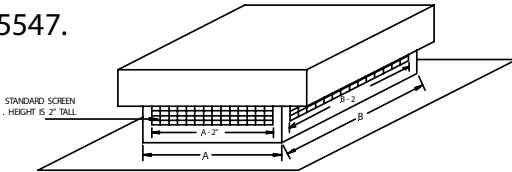
951.493.0082 office  
951.808.9076 fax

## Econo Vents

26 GA	
SIZE	Price
8 x 8	\$ 94.00
10 x 10	99.07
12 x 12	104.27
14 x 14	111.57
16 x 16	117.12
18 x 18	122.79

24 GA	
SIZE	Price
20 x 20	\$ 143.74
22 x 22	150.94
24 x 24	158.28

5547.



## Bonnet Top

26 GA	
SIZE	Price
3"	\$ 4.01
4"	4.51
5"	5.17
6"	5.95
7"	7.02
8"	9.15
9"	10.33
10"	11.03
12"	14.97
14"	19.00

- 5547. Econo Vent
- 5548. Bonnet Top
- 5515. Vented Fan Curb

## Plumbing Flashings

Plumbing Flashings available 1/2" to 3"  
Please contact Customer Service for pricing  
Please use part # 5544

## Roof Curbs

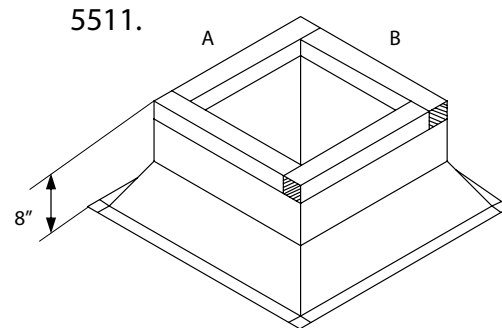
Air Duct Products can provide roof curbs for *any* Air Conditioning Manufacturer.

Manufacturers often change their specifications without our knowledge, so please be sure to specify the unit make, model number, dimensions and specifications when calling or faxing for a quote.

Call for a quote today

## Canted Fan Curbs

Outside Dimension SIZE			8" Tall	12" Tall
			5511.	5512.
14.5	x	14.5	\$ 68.36	\$ 77.39
15.5	x	15.5	70.25	79.82
16.5	x	16.5	72.13	82.26
17.5	x	17.5	74.02	84.69
18.5	x	18.5	75.91	87.12
19.5	x	19.5	77.79	89.55
20.5	x	20.5	91.54	103.85
22.5	x	22.5	95.31	108.72
24.5	x	24.5	99.08	113.58
26.5	x	26.5	114.72	130.31
28.5	x	28.5	118.49	135.18
32.5	x	32.5	137.90	156.78
38.5	x	38.5	149.21	171.37
42.5	x	42.5	168.62	192.97
44.5	x	44.5	172.39	197.83
50.5	x	50.5	183.70	212.43
56.5	x	56.5	206.88	238.89
62.5	x	62.5	218.19	253.48
68.5	x	68.5	241.36	279.94
74.5	x	74.5	252.68	294.54



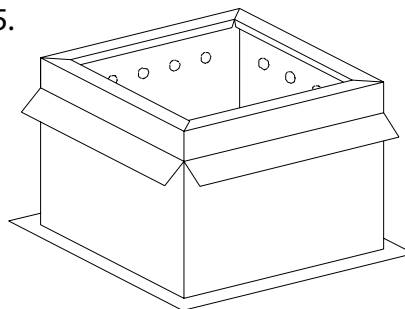
### Curb Standards:

- 18 GA
- Welded seams
- 1" liner (on canted only)
- Wood nailer (on canted only)

## Vented Fan Curbs

Outside Dimension SIZE			20" Tall
21.75	x	21.75	\$ 117.89
25.75	x	25.75	127.69
29.75	x	29.75	149.35
33.75	x	33.75	159.14
39.75	x	39.75	185.70
45.75	x	45.75	200.40
51.75	x	51.75	226.95

5515.



# AIR DUCT PRODUCTS

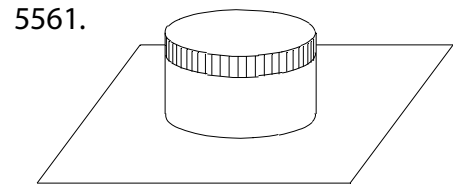
951.493.0082 office  
951.808.9076 fax

## Rotary Bases

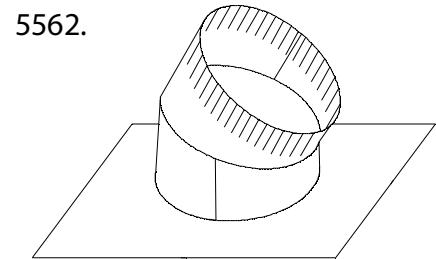
26 GA		
SIZE	Flat	Adjustable
	5561.	5562.
3"	\$ 6.33	
4"	7.08	
5"	7.85	
6"	8.66	
7"	9.50	
8"	10.36	
9"	11.26	
10"	12.20	
12"	14.14	
14"	16.21	
16"	18.39	
18"	20.69	\$ 36.09
20"	23.13	40.23
22"	25.67	49.18

24 GA		
SIZE	Flat	Adjustable
	5561.	5562.
24"	\$ 34.38	\$ 68.73
26"	37.81	78.01
28"	41.39	87.95

Flat



Adjustable



### Rotary Base Standards:

- Sealed at the base
- Flashing 8" larger than diameter
- Adjustable rotary bases include three (3) screws to secure after adjustment