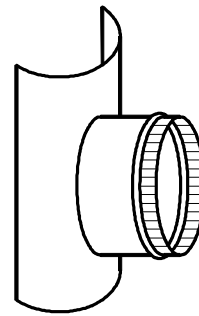
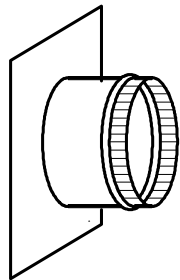
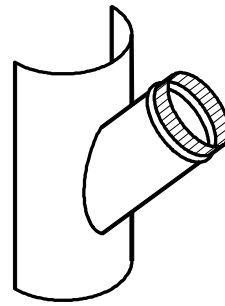
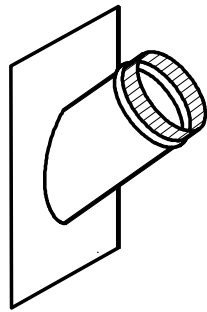
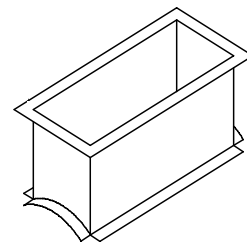
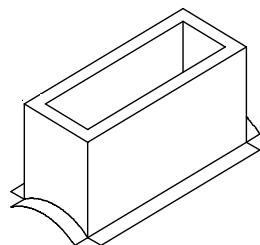
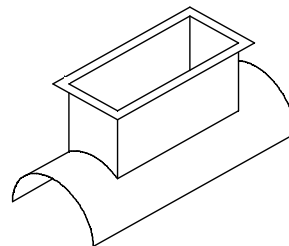
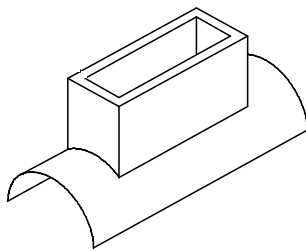


Saddle Taps

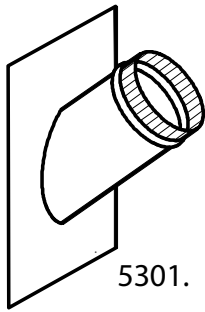


Rectangular Saddle Taps

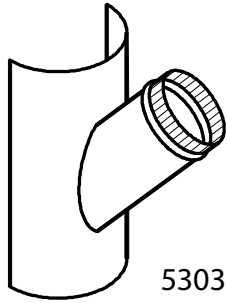


AIR DUCT PRODUCTS

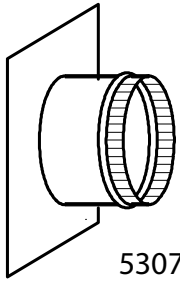
951.493.0082 office
951.808.9076 fax



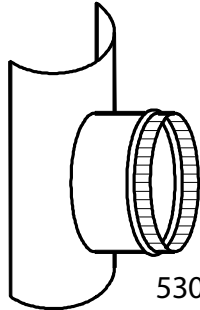
5301.



5303.



5307.



5309.

- 5301. 45° Flat
- 5302. 45° Flat with Damper
- 5303. 45° Radius
- 5304. 45° Radius with Damper
- 5307. 90° Flat
- 5308. 90° Flat with Damper
- 5309. 90° Radius
- 5310. 90° Radius with Damper

Saddle Taps - Flat & Non-specified Radius

28 GA SIZE	No Damper		w/Damper	
	45°	90°	45°	90°
5"	\$ 6.61	\$ 4.79	\$ 12.93	\$ 11.11
6"	7.38	5.30	13.81	11.72
7"	8.22	5.85	14.75	12.38
8"	9.50	6.44	16.17	13.11
9"	10.63	6.99	17.45	13.81
10"	11.60	7.75	18.60	14.74

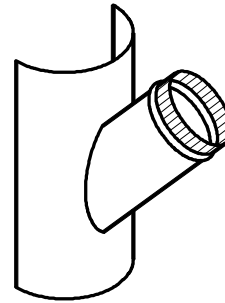
26 GA SIZE	No Damper		w/Damper	
	45°	90°	45°	90°
5"	\$ 7.56	\$ 5.42	\$ 13.94	\$ 11.80
6"	8.54	6.06	15.04	12.56
7"	9.59	6.76	16.24	13.40
8"	11.21	7.50	18.02	14.32
9"	12.63	8.20	19.64	15.20
10"	13.87	9.16	21.08	16.38
12"	17.37	11.02	25.09	18.74
14"	21.33	13.11	29.65	21.42
16"	25.38	15.41	34.39	24.41
18"	33.78	17.93	43.57	27.72

24 GA SIZE	No Damper		w/Damper	
	45°	90°	45°	90°
5"	\$ 8.62	\$ 6.12	\$ 15.05	\$ 12.56
6"	9.82	6.91	16.41	13.50
7"	11.12	7.77	17.88	14.53
8"	13.10	8.68	20.07	15.65
9"	14.86	9.54	22.06	16.74
10"	16.37	10.72	23.84	18.19
12"	20.69	13.01	28.77	21.10
14"	25.56	15.58	34.37	24.39
16"	30.54	18.41	40.20	28.07
18"	40.87	21.51	51.50	32.14

Saddle Taps - Specified Radius

28 GA SIZE	No Damper		w/Damper	
	45°	90°	45°	90°
5"	\$ 7.35	\$ 6.28	\$ 13.68	\$ 12.61
6"	8.32	6.90	14.74	13.32
7"	9.39	7.37	15.93	13.91
8"	10.71	8.16	17.38	14.83
9"	12.15	8.76	18.97	15.58
10"	13.46	9.57	20.45	16.56

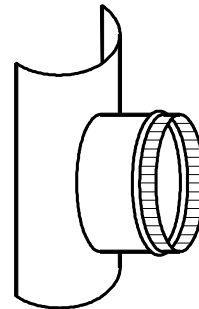
5305.



Sized to Fit
Specific Radius

26 GA SIZE	No Damper		w/Damper	
	45°	90°	45°	90°
5"	\$ 8.28	\$ 6.93	\$ 14.66	\$ 13.31
6"	9.50	7.71	16.00	14.21
7"	10.86	8.31	17.50	14.95
8"	12.52	9.31	19.33	16.12
9"	14.33	10.06	21.33	17.06
10"	15.99	11.08	23.21	18.30
12"	20.19	13.35	27.91	21.07
14"	24.27	15.62	32.59	23.93
16"	29.69	17.85	38.70	26.86
18"	35.69	20.76	45.48	30.54

5311.



5305. 45°

5306. 45° with Damper

5311. 90°

5312. 90° with Damper

24 GA SIZE	No Damper		w/Damper	
	45°	90°	45°	90°
5"	\$ 9.31	\$ 7.65	\$ 15.75	\$ 14.09
6"	10.82	8.61	17.40	15.19
7"	12.48	9.35	19.24	16.11
8"	14.52	10.57	21.49	17.54
9"	16.75	11.50	23.96	18.70
10"	18.79	12.75	26.26	20.22
12"	23.96	15.55	32.05	23.63
14"	28.98	18.34	37.80	27.15
16"	35.65	21.09	45.31	30.75
18"	43.03	24.65	53.66	35.28

Please specify the following on your order:

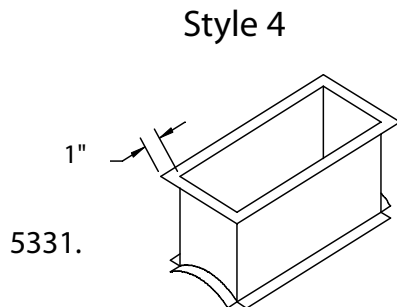
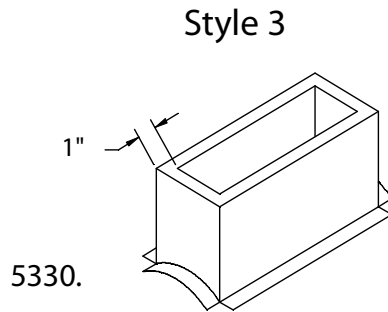
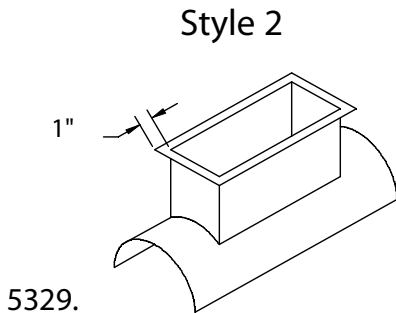
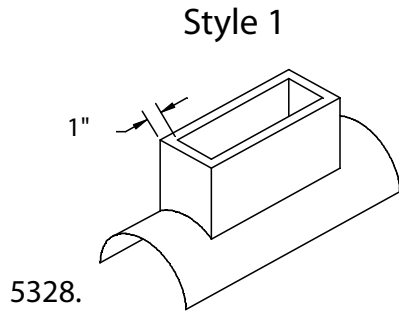
- Branch diameter
- Spiral Pipe diameter
- 45° or 90°

(e.g. 10" tap on 14" pipe 45° Saddle Tap)

AIR DUCT PRODUCTS

951.493.0082 office
951.808.9076 fax

Rectangular Saddle Taps



SIZE	Price	SIZE	Price
6 x 4	\$ 14.61	16 x 10	\$ 23.32
6 x 6	15.92	16 x 12	25.28
8 x 4	15.32	16 x 14	27.36
8 x 6	16.69	18 x 6	20.60
10 x 4	16.03	18 x 8	22.30
10 x 6	17.46	18 x 10	24.20
10 x 8	19.00	18 x 12	26.22
12 x 4	16.74	18 x 14	28.36
12 x 6	18.22	20 x 6	21.29
12 x 8	19.83	20 x 8	23.13
12 x 10	21.55	20 x 10	25.09
14 x 6	18.99	20 x 12	27.16
14 x 8	20.65	20 x 14	29.36
14 x 10	22.44	20 x 16	31.67
14 x 12	24.34	24 x 8	24.78
16 x 6	19.76	24 x 10	26.85
16 x 8	21.48	24 x 12	29.05

Saddle Tap Standards:

- 26 GA, 6" tall with 1" flange
- Place order by measurements of inside dimension

Example for type 1 & 3:

12 x 6 measures 14 x 8 outside dimension

Please specify the following on your order:

- Pipe diameter saddle is to fit
- Inside dimensions of Saddle Tap
- Style of Saddle Tap (1,2,3 or 4)

Example: 12 x 6 on 18 Style 2