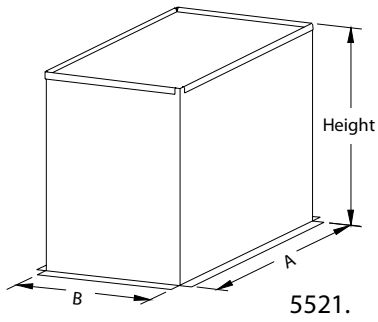
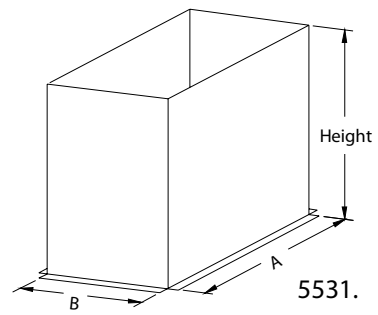


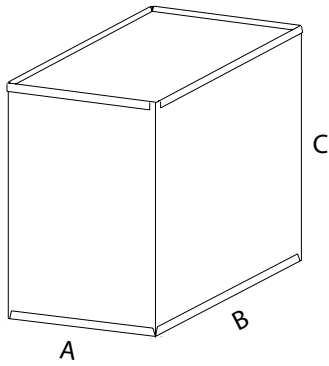
Plenums



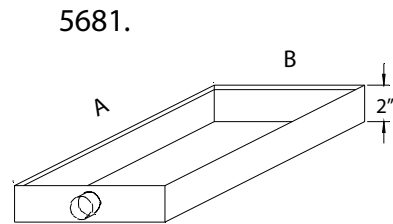
Sleeves



Mixing Boxes



Drain Pans



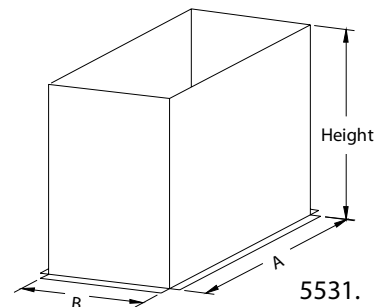
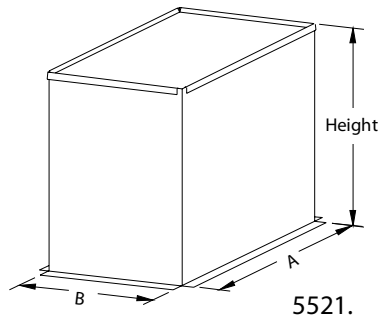
AIR DUCT PRODUCTS

951.493.0082 office
951.808.9076 fax

Plenums (Includes Cap), Caps & Sleeves

28 GA								
	5521. Plenum				5531. Sleeve			
	Plenum Only	Add for Liner			Sleeve/ Cap Only	Add for Liner		
HEIGHT		1/2"	1"	1.5"		1/2"	1"	1.5"
5526. Cap					\$.104	\$.056	\$.068	\$.090
Up to 12"	\$.259	\$.171	\$.206	\$.267	\$.155	\$.115	\$.138	\$.177
13" to 18"	.336	.263	.316	.422	.232	.207	.248	.332
19" to 24"	.416	.327	.401	.528	.312	.271	.333	.438
25" to 30"	.491	.395	.486	.643	.387	.339	.418	.553
31" to 36"	.565	.460	.568	.752	.461	.404	.500	.662
37" to 48"	.719	.581	.718	.951	.615	.525	.650	.861

26 GA								
	5521. Plenum				5531. Sleeve			
	Plenum Only	Add for Liner			Sleeve/ Cap Only	Add for Liner		
HEIGHT		1/2"	1"	1.5"		1/2"	1"	1.5"
5526. Cap					\$.129	\$.056	\$.068	\$.090
Up to 12"	\$.293	\$.171	\$.206	\$.267	\$.164	\$.115	\$.138	\$.177
13" to 18"	.410	.263	.316	.422	.281	.207	.248	.332
19" to 24"	.511	.327	.401	.528	.382	.271	.333	.438
25" to 30"	.606	.395	.486	.643	.477	.339	.418	.553
31" to 36"	.699	.460	.568	.752	.570	.404	.500	.662
37" to 48"	.891	.581	.718	.951	.762	.525	.650	.861



Plenums (Includes Cap), Caps & Sleeves

24 GA								
	5521. Plenum				5531. Sleeve			
	Plenum Only	Add for Liner			Sleeve/ Cap Only	Add for Liner		
HEIGHT		1/2"	1"	1.5"		1/2"	1"	1.5"
5526. Cap					\$.156	\$.056	\$.068	\$.090
Up to 12"	\$.348	\$.171	\$.206	\$.267	\$.192	\$.115	\$.138	\$.177
13" to 18"	.493	.263	.316	.422	.337	.207	.248	.332
19" to 24"	.616	.327	.401	.528	.460	.271	.333	.438
25" to 30"	.733	.395	.486	.643	.577	.339	.418	.553
31" to 36"	.848	.460	.568	.752	.692	.404	.500	.662
37" to 48"	1.081	.581	.718	.951	.925	.525	.650	.861

22 GA								
	5521. Plenum				5531. Sleeve			
	Plenum Only	Add for Liner			Sleeve/ Cap Only	Add for Liner		
HEIGHT		1/2"	1"	1.5"		1/2"	1"	1.5"
5526. Cap					\$.183	\$.056	\$.068	\$.090
Up to 12"	\$.417	\$.171	\$.206	\$.267	\$.234	\$.115	\$.138	\$.177
13" to 18"	.601	.263	.316	.422	.418	.207	.248	.332
19" to 24"	.755	.327	.401	.528	.572	.271	.333	.438
25" to 30"	.901	.395	.486	.643	.718	.339	.418	.553
31" to 36"	1.045	.460	.568	.752	.862	.404	.500	.662
37" to 48"	1.332	.581	.718	.951	1.149	.525	.650	.861

Formula:

1. Round up dimensions (e.g. 17 1/4 = 18)
2. (a+a+b+b) x height and gauge multiplier
3. Add for liner or cap

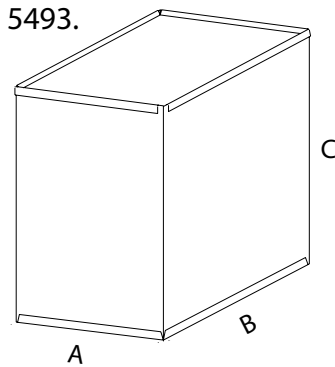
Plenums & Sleeves up to 100 girth inches are available

Plenums & Sleeves are shipped KD

AIR DUCT PRODUCTS

951.493.0082 office
951.808.9076 fax

Mixing Boxes



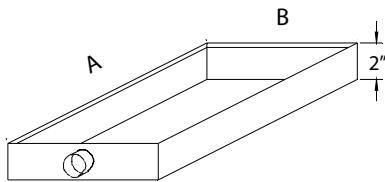
Mixing boxes come assembled with a cap on both ends

5493. Mixing Box

5681. Drain Pan

SIZE (AxBxC)	28 GA	SIZE (AxBxC)	26 GA
10x10x10	\$ 10.57	10x10x10	\$ 12.78
10x10x12	11.56	10x10x12	14.02
12x12x09	12.18	12x12x09	14.81
12x12x10	12.77	12x12x10	15.55
12x12x11	13.36	12x12x11	16.30
12x12x12	13.95	12x12x12	17.04
14x14x10	15.16	14x14x10	18.57
14x14x12	16.53	14x14x12	20.30
14x14x14	17.90	14x14x14	22.02
16x16x11	18.52	16x16x11	22.81
16x16x12	19.30	16x16x12	23.79
16x16x14	20.86	16x16x14	25.76
16x16x16	22.42	16x16x16	27.72
18x18x18	27.51	18x18x18	34.15
20x20x20	33.17	20x20x20	41.29

5681.



Drain Pan Standards:

- 26 GA
- 2" Deep
- 3/4" PVC female fitting
- Fitting centered on short side
- Specify on order for long side
 - 1/4" hem on top of pan
- Soldered corners - water tight

Drain Pans

Gauge Multiplier	Gauge Multiplier	Gauge Multiplier
26 GA	24 GA	22 GA
\$ 0.26	\$ 0.30	\$ 0.33

Girth Multiplier Formula:

1. Round up dimensions
(e.g. 17 1/4 = 18)
2. (a+a+b+b) x gauge multiplier = list

Drain pans up to 180 girth inches are available