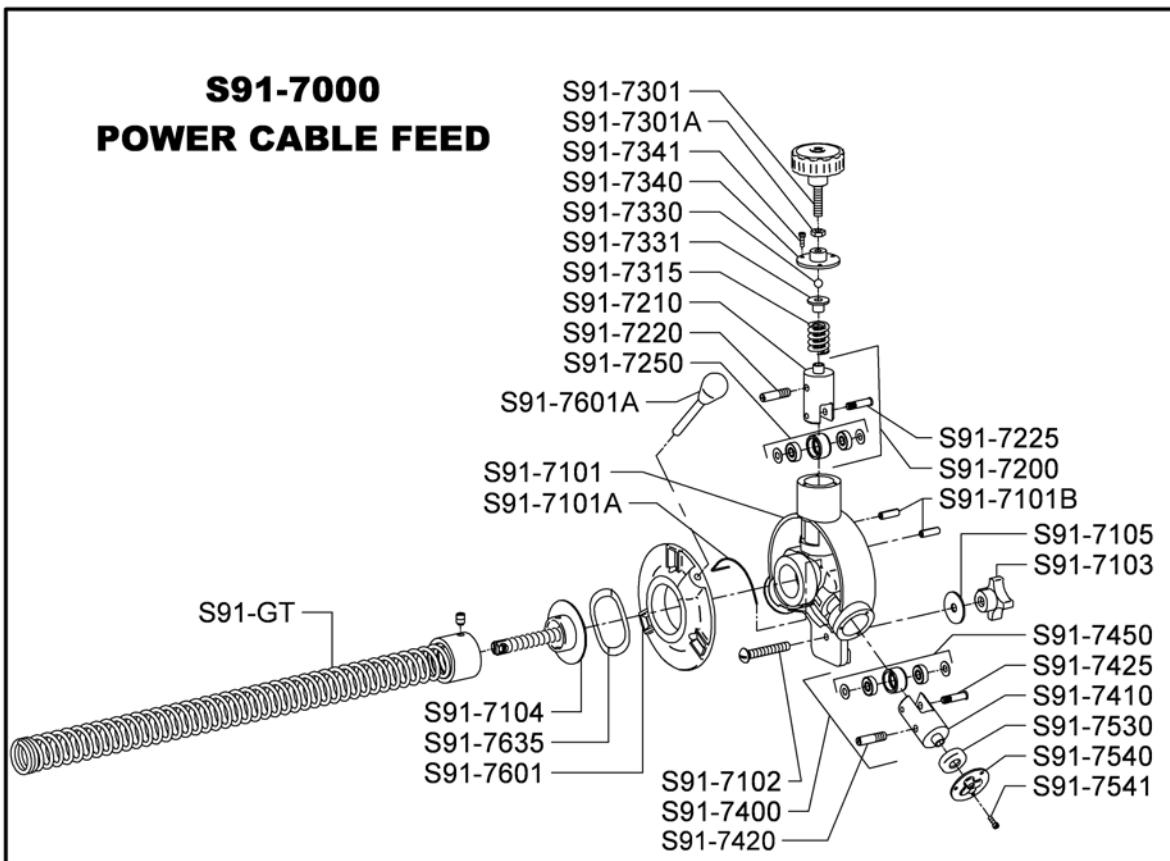
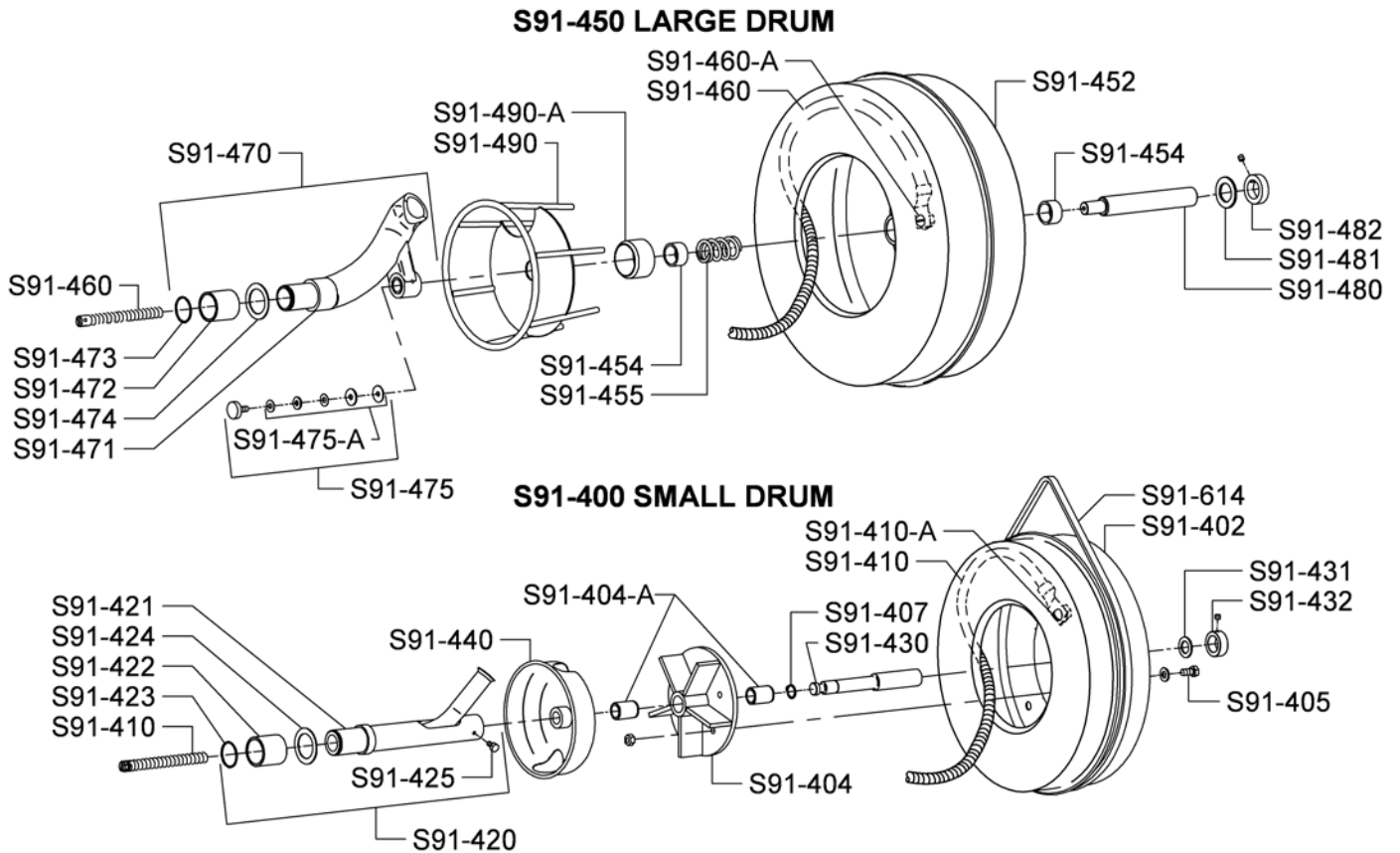


## SPEEDROTER 91 PARTS LIST

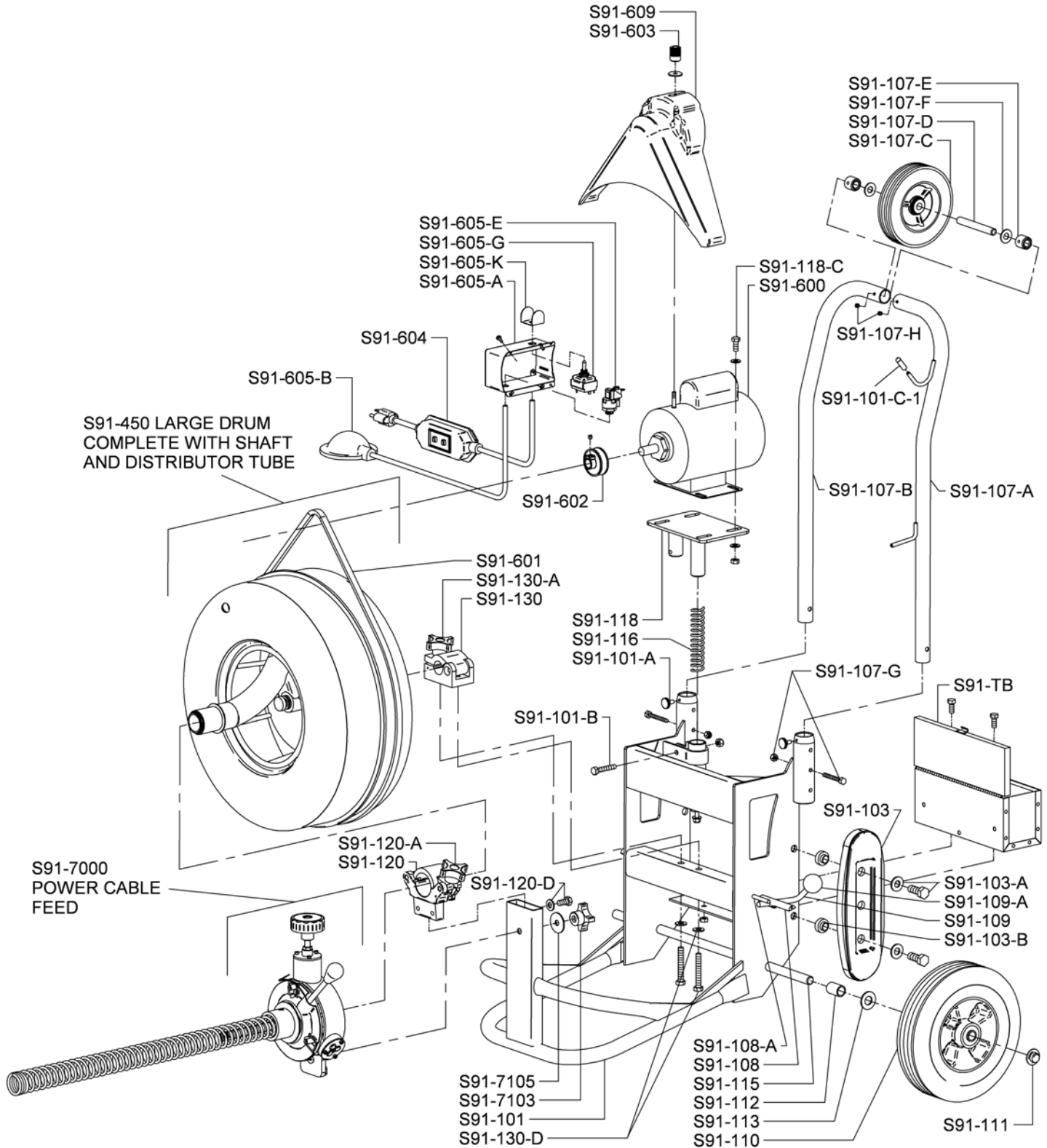
CAT. NO.	DESCRIPTION	CAT. NO.	DESCRIPTION
S91-100	Frame Complete	S91-474	Thrust Bearing Race
S91-101	Fame Only w/Axle	S91-475	Distributor Tube Retaining Knob w/Bearing Assembly
S91-101-A	Handle Support Knob (2)	S91-475-A	Bearing Assembly for Retaining Knob
S91-101-B	Motor Support Bolt, Nut, & Washer	S91-480	Drum Shaft
S91-101-C	Cord Wrap Cap (2)	S91-481	Wear Washer
S91-103	Stair Climber w/Belt (1)	S91-482	Spacer Collar w/Set Screw
S91-103-A	Nuts, Bolt, & Washers (2)	S91-490	Inner Drum Cage
S91-103-B	Spacers (2)	S91-490-A	Bushing
S91-107	Plated Handle Assembly	S91-600	1/2 hp Motor w/Air Foot Switch, Rev. Switch, GFCI
S91-107-A	Handle - Left	S91-600-3/4	3/4 hp Motor w/Air Foot Switch, Rev. Switch, GFCI
S91-107-B	Handle - Right	S91-601	V-Belt (64")
S91-107-C	6" Handle Wheel	S91-602	V-Belt Pulley
S91-107-D	Axle for Handle Wheel	S91-602-1	Slip Clutch (Optional)
S91-107-E	Bushings (2)	GFI-20	20 ft. Power Cord w/GFCI
S91-107-F	Felt Washers (2)	S91-605	Air Foot Switch & Reverse Switch Assembly
S91-107-G	Bolts & Nuts (2)	S91-605-A	Box Only w/Cover & Screws
S91-107-H	Set Screws (2)	S91-605-B	Foot Pedal & Hose
S91-108	Brake Rod	S91-605-C	Cable Tie
S91-108-A	Roll Pin	S91-605-E	Power Switch Diaphragm
S91-109	Brake Rod Handle w/Knob	S91-605-G	Reverse Switch - 3-Way
S91-109-A	Knob for Brake Rod	S91-605-H	Rubber Boot (Rental)
S91-109-B	Roll Pin	S91-605-J	Barbed Adapter
S91-109-C	Brake Rod Latch w/Screws	S91-605-N	Strain Relief Nut
S91-110	10" Wheel w/Retaining Cap (1)	S91-609-1/2	Belt Guard (1/2 hp) w/Slot
S91-111	Wheel Retaining Cap (2)	S91-605-3/4	Belt Guard (3/4 hp) w/Slot
S91-112	Wheel Spacer Washers (2)	S91-614	Small Drum V-Belt (57")
S91-115	Axle	S91-7000	Power Cable Feed Assembly
S91-116	Motor Support Spring	S91-7101	Feed Body
S91-118	Motor Support Platform	S91-7101-B	Lifting Spring
S91-118-C	Nuts, Bolt, & Washers (4)	S91-7101-A	Guide Pins (2)
S91-120	Front Bearing Assembly	S91-7102	Mounting Stud
S91-120-A	Front Bearing Knob	S91-7103	Mounting Knob
S91-120-D	Bolts, Nuts, & Washers (2)	S91-7104	Spout & Retaining Cover
S91-130	Rear Drum Shaft Clamp	S91-7105	Steel Washer
S91-130-A	Drum Clamp Knob	S91-7200	Top Roller Assembly
S91-130-D	Mounting Bolts & Washers (2)	S91-7210	Top Carrier Only
S91-400	Small Drum Complete w/Shaft & Distributor Tube (15")	S91-7220	Swing Pin
S91-402	Drum Shell	S91-7225	Feed Roller Shaft
S91-404	Drum Hub w/Bearing	S91-7250	Feed Roller w/Bearing
S91-404-A	Bushings (2)	S91-7301	Feed Pressure Knob
S91-405	Nuts, Bolts, & Washers (5)	S91-7301-A	Limiting Nut
S91-407	Shaft Washer	S91-7315	Pressure Spring
S91-410	Drum Connecting Cable (for 1/2" Cables)	S91-7330	Ball Bearing
S91-410-A	Nut, Bolt, & Washer	S91-7331	Ball Bearing Holder
S91-420	Small Drum Distributor Tube Assembly	S91-73340	Top Cover
S91-421	Distributor Tube Only	S91-7341	Cover Screws & Washers (3)
S91-422	Bushing	S91-7400	Bottom Roller Assembly
S91-423	Retaining Ring	S91-7410	Bottom Carrier Only
S91-424	Thrust Bearing Race	S91-7420	Swing Pin
S91-425	Distributor Tube Retaining Bolt	S91-7425	Bottom Roller Shaft
S91-430	Drum Shaft	S91-7450	Bottom Roller w/Bearing
S91-440	Inner Drum Cage	S91-7530	Thrust Bearing
S91-440-A	Bushing	S91-7540	Cable Adjustment Plate
S91-450	Large Drum Complete w/Shaft & Distributor Tube (18")	S91-7541	Plate Screws & Washers (3)
S91-452	Drum Shell	S91-7601	Feed Control Disc w/Lever & Knob
S91-454	Drum Hub Bearings (2)	S91-7601-A	Lever & Knob
S91-455	Bearing Spring	S91-7635	Wave Washer
S91-460	Drum Connecting Cable (for 5/8" & 3/4" Cables)	S91-7703	Set of Feed Rollers (3)
S91-460-A	Nut, Bolt, & Washer	S91-TB	Tool Box
S91-470	Drum Distributor Tube Assembly	S91-GT	Guide Tube for Speedroter 91
S91-471	Distributor Tube Only	GTE	Guide Tube Extension
S91-472	Bushing	S91-DECAL	Set of Safety Decals
S91-473	Retaining Ring	S91-DVD	Instructional DVD

# SPEEDROOTER 91 SCHEMATIC DIAGRAM



**IMPORTANT: When ordering, give Serial Number of Machine.**

# SPEEDROOTER 91 SCHEMATIC DIAGRAM



**IMPORTANT: When ordering, give Serial Number of Machine.**