



4700 W. 160th St.
Cleveland, OH 44135
PH:800-321-9532
FX:800-321-9535
www.oatey.com

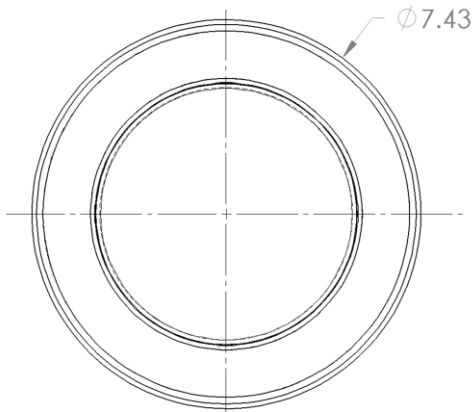
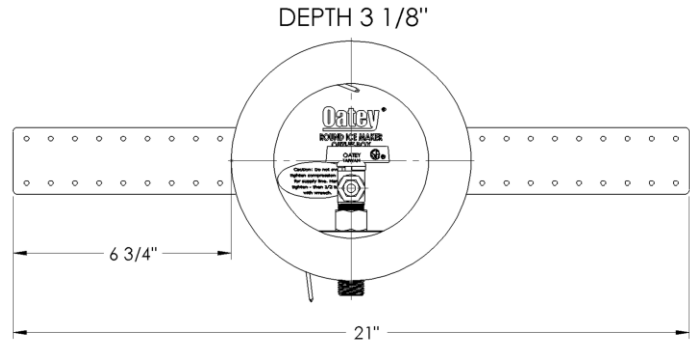
TECHNICAL SPECIFICATION

ICE MAKER SUPPLY BOX WITH STAINLESS STEEL HOSE



Engineering Specification: Oatey Ice Maker Supply Box with Hose can be used in commercial or residential applications which require supply valves recessed into the wall. The box includes 6' Stainless Steel Hose for connection to appliance.

Job Reference



FACEPLATE



IAPMO Listed

- ◆ Provides quick, safe water supply and shut-off for refrigerator icemaker and water dispenser
- ◆ Stainless steel hose allows for easy connection to appliance
- ◆ Box made of high impact polystyrene
- ◆ Two support brackets
- ◆ Snap-on faceplate accommodates up to 1" drywall
- ◆ Valves comply with requirements of NSF Standard 61, Section 9

✓	Product No	Description	PACK	Carton Wt. Lbs.
	39180	1/4 turn brass ball valve - copper sweat - standard pack	6	6
	39181	1/4 turn brass ball valve - CPVC standard pack	6	6
	39182	1/4 turn brass hammer ball valve - 1/2" ASTM F1807 Pex - standard pack	6	6
	39183	1/4 turn brass ball valve - 1/2" ASTM F 1960 Pex standard pack	6	6
	39184	1/4 turn brass hammer ball valve - copper sweat - standard pack	6	13
	39185	1/4 turn brass hammer ball valve - CPVC standard pack	6	13
	39186	1/4 turn brass hammer ball valve - 1/2" ASTM F 1807 Pex standard pack	6	13
	39187	1/4 turn brass hammer ball valve - 1/2" ASTM F 1960 Pex standard pack	6	13
	39188	1/4 turn brass ball valve - copper sweat - contractor pack	12	15
	39189	1/4 turn brass ball CPVC Contractor pack	12	13

Data is subject to manufacturing tolerances.

Visit www.oatey.com for updates

9/2011



4700 W. 160th St.
Cleveland, OH 44135
PH:800-321-9532
FX:800-321-9535
www.oatey.com

TECHNICAL SPECIFICATION

ICE MAKER SUPPLY BOX WITH STAINLESS STEEL HOSE



Job Reference

✓	Product No	Description	PACK	Carton Wt. Lbs.
	39190	1/4 turn brass ball valve - 1/2" ASTM F 1807 Pex - contractor pack	12	15
	39191	1/4 turn brass ball valve - 1/2" ASTM F 1960 Pex contractor pack	12	15
	39192	1/4 turn brass hammer ball valve - copper sweat - contractor pack	12	23
	39193	1/4 turn brass hammer ball valve - CPVC contractor pack	12	22
	39194	1/4 turn brass hammer ball valve - 1/2" ASTM F 1807 Pex contractor pack	6	23
	39196	1/4 turn brass hammer ball valve - 1/2" ASTM F 1960 Pex contractor pack	12	23
	39197	1/4 turn brass ball valve - copper sweat - standard pack with 6 ft. stainless steel hose	6	7
	39198	1/4 turn brass ball valve - CPVC - standard pack with 6 ft. stainless steel hose	6	7
	39199	1/4 turn brass ball valve - 1/2" ASTM F 1807 Pex - standard pack with 6 ft. stainless steel hose	6	7
	39200	1/4 turn brass ball valve - 1/2" ASTM F 1960 Pex standard pack with 6 ft. stainless steel hose	6	7
	39201	1/4 turn brass hammer ball valve - copper sweat - standard pack with 6 ft. stainless steel hose	6	13
	39202	1/4 turn brass hammer ball valve - CPVC - standard pack with 6 ft. stainless steel hose	6	13
	39203	1/4 turn brass hammer ball valve - 1/2" ASTM F 1807 Pex standard pack with 6" stainless steel hose	6	13
	39204	1/4 turn brass hammer ball valve - 1/2" ASTM F 1960 Pex standard pack with 6 ft. stainless steel hose	6	13
	39205	1/4 turn brass ball valve - copper sweat - contractor pack with 6 ft. stainless steel hose	12	15
	39206	1/4 turn brass ball valve - 1/2" ASTM F 1960 Pex contractor pack with 6 ft. stainless steel hose	12	15
	39207	1/4 turn brass ball valve - low lead - copper sweat - standard pack	6	6
	39208	1/4 turn brass ball valve - low lead - CPVC - standard pack	6	6
	39209	1/4 turn brass ball valve - low lead 1/2" ASTM F1807 Pex standard pack	6	6
	39210	1/4 turn brass hammer ball valve - Low Lead 1/2" ASTM F 1960 Pex standard pack	6	6
	39211	1/4 turn brass hammer ball valve - - low lead - copper sweat - standard pack	6	13
	39212	1/4 turn brass hammer ball valve - low lead - CPVC standard pack	6	13
	39213	1/4 turn brass hammer ball valve - Low Lead 1/2" ASTM F 1807 Pex standard pack	6	13
	39214	1/4 Turn, Round, F1960 Hammer, Low Lead – Standard Pack		
	39215	Round Ice Maker outlet box face plate	6	1
	23916	Plain box - standard pack - no valve	6	3
	38768	Brackets 4" Long Plastic	12	
	38648	Brackets 12" Long Plastic	12	