

KALLISTATM BellisTM Pressure Balance Valve Trim & Pressure Balance Valve Trim with Diverter

FEATURES

- Solid Brass Construction for Durability and Reliability
- Pressure-Balancing Technology Maintains Water Temperature within +/-3 Degrees Fahrenheit
- High-Temperature Limit Stop Helps Eliminate Scalding
- Coordinates with the Bellis Collection

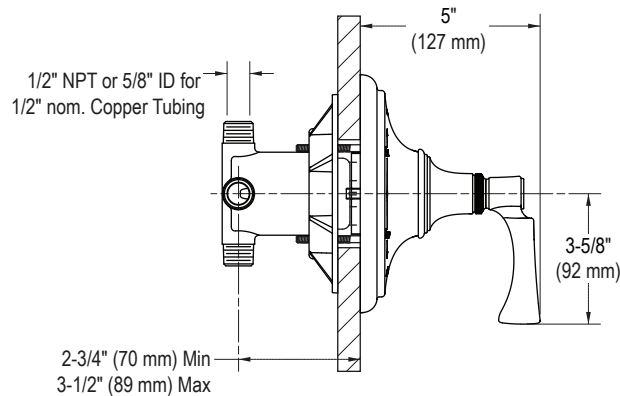
CODES/STANDARDS APPLICABLE

- Specified model meets or exceeds the following:
- ASME A112.18.1/CSA B125.1
 - IAPMO/cUPC Listed
 - ADA (Cross and Lever Handles)

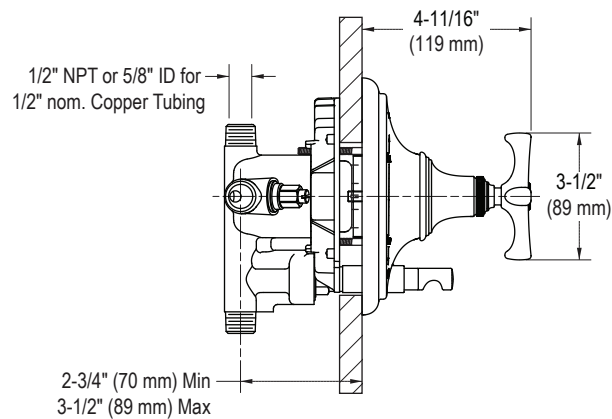
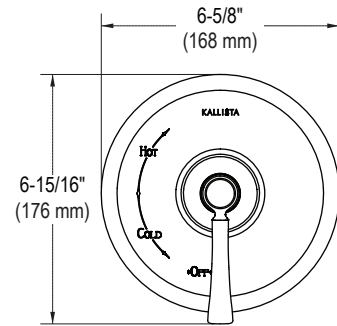
P24615

P24616

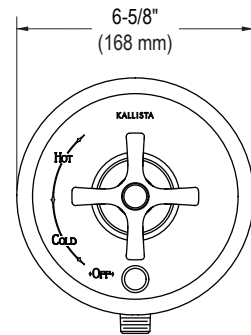
ADA



P24615-LV



P24616-CR



SPECIFIED MODEL

| Model | Description | Finishes | | |
|-------------------|---|---|---|--|
| P24615-CR | Bellis Pressure Balance Valve Trim, Cross Handle | <input type="checkbox"/> CP Polished Chrome | <input type="checkbox"/> AD Nickel Silver | <input type="checkbox"/> AG Brushed Nickel |
| P24615-LV | Bellis Pressure Balance Valve Trim, Lever Handle | <input type="checkbox"/> CP Polished Chrome | <input type="checkbox"/> AD Nickel Silver | <input type="checkbox"/> AG Brushed Nickel |
| P24616-CR | Pressure Balance Valve Trim with Diverter, Cross Handle | <input type="checkbox"/> CP Polished Chrome | <input type="checkbox"/> AD Nickel Silver | <input type="checkbox"/> AG Brushed Nickel |
| P24616-LV | Pressure Balance Valve Trim with Diverter, Lever Handle | <input type="checkbox"/> CP Polished Chrome | <input type="checkbox"/> AD Nickel Silver | <input type="checkbox"/> AG Brushed Nickel |
| Required Rough-in | | | | |
| P19300-00 | Rough-in for P24615 | <input type="checkbox"/> NA | | |
| P19300-WS | Rough-in with Stops for P24615 | <input type="checkbox"/> NA | | |
| P29306-WS | High-Flow Rough-in for P24615 | <input type="checkbox"/> NA | | |
| P29305-00 | Rough-in for P24616 | <input type="checkbox"/> NA | | |
| P29305-WS | Rough-in with Stops for P24616 | <input type="checkbox"/> NA | | |

We reserve the right to make revisions without notice in the design of products or in packaging unless this right has specifically been waived at the time the order is accepted.