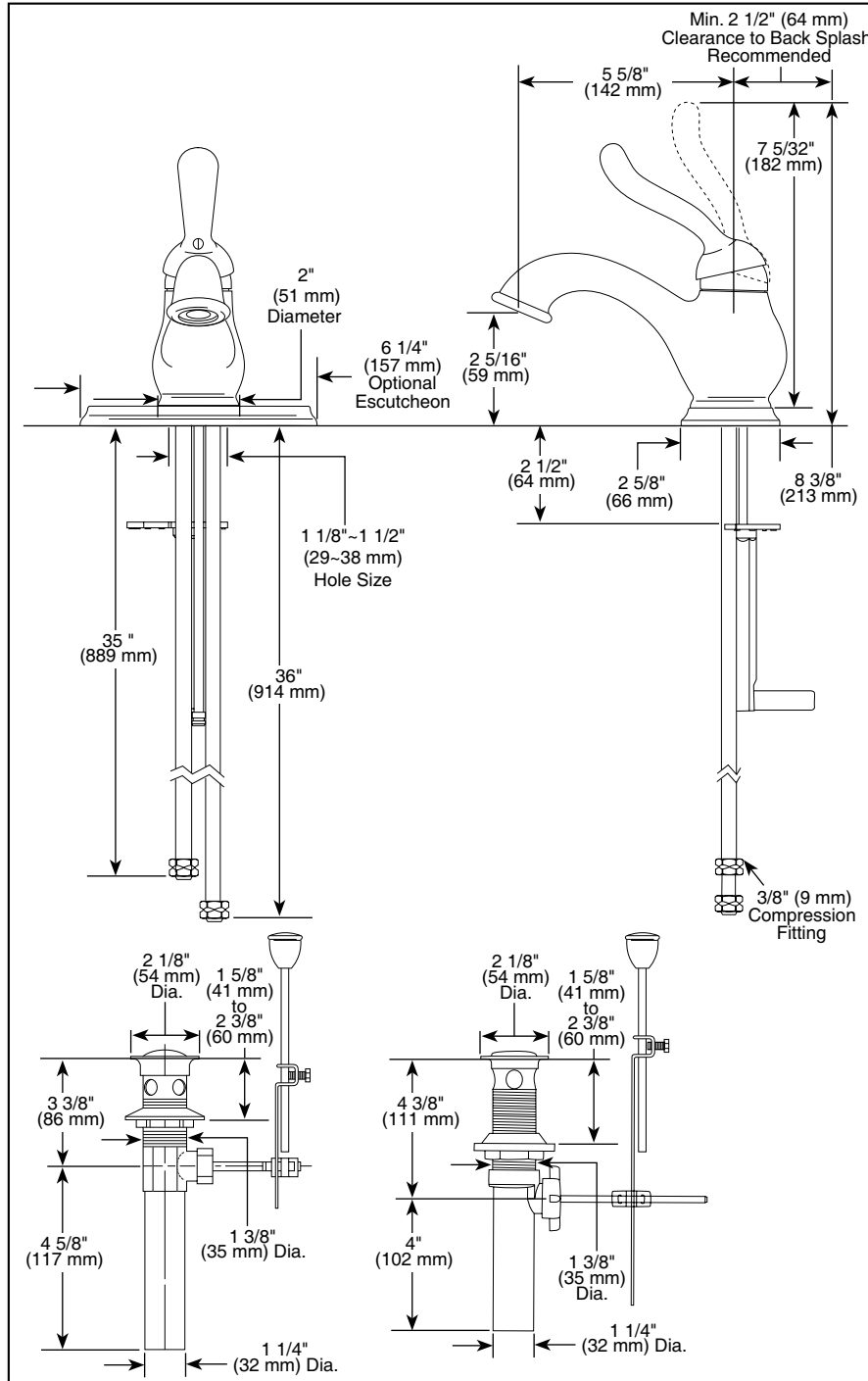


Submitted Model No.: _____

Specific Features: _____



▲ Designate Proper Finish Suffix

Delta reserves the right (1) to make changes in specifications and materials, and (2) to change or discontinue models, both without notice or obligation. Dimensions are for reference only. See current full-line price book or www.specselect.com for finish options and product availability.

DSP-L-578-DST Rev. B



LAVATORY FAUCETS

- Leland® Collection
- DIAMOND™ Seal Technology
- Single Handle Deck Mount
- 1 or 3 Hole Mount
(Optional 6 1/4" Escutcheon Included)

STANDARD SPECIFICATIONS:

- Single handle lavatory deck faucet.
- 1 or 3 hole mount (6 1/4" escutcheon plate included).
- Solid brass fabricated body.
- 5 5/8" (142 mm) long spout.
- Lever handle. Control mechanism is the diamond embedded ceramic disc cartridge.
- Control handle shall return to neutral position when valve is turned off.
- 3/8" O.D. straight, staggered pex supply tubes 35" (889 mm) and 36" (914 mm) long.
- Maximum 1.5 gpm flowrate @ 60 PSI.
- Models include polypropylene pop-up type fitting with plated metal flange and stopper cap.
- Models with suffix "MPU" have metal drain with pop-up type fitting with plated flange and stopper.

WARRANTY

- Lifetime Faucet and Finish Limited Warranty to the original consumer purchaser to be free from defects in material and workmanship.
- 5 Year Limited Warranty for usage in all industrial, commercial and business applications.



COMPLIES WITH:

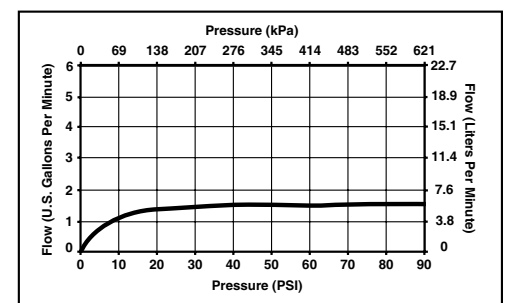
- ASME A112.18.1 / CSA B125.1
- ASME A112.18.2 / CSA B125.2



Indicates compliance to ICC/ANSI A117.1

- CSA Certified
- EPA Water Sense

Verified compliant with .25% weighted average Pb content regulations



55 E. 111th Street, Indianapolis, Indiana 46280
395 Matheson Blvd. E., Mississauga, ON L4Z 2H2
© 2009 Masco Corporation of Indiana