

Specifications

DESCRIPTION

- Thermostatic mixing valve, with adjustable temperature control cartridge
- All brass construction with vandal resistant cap
- 1/2" CC connections
- Hot and cold check valves prevent possible backflow on water supply inlets
- Stainless steel internal strainer protect against line trash

OPERATION

- Factory preset at 115°F (46°C)
- Adjustable from 95°F (35°C) to 120°F (49°C), with a $\pm 3.5^\circ\text{F}$ ($\pm 2^\circ\text{C}$) temperature accuracy
- Working pressure: maximum=125psi, minimum=20psi
- Flow rate at 45psi=11gpm, maximum flow rate=12.5 gpm
- Cold water supply=39° to 80°F, hot water supply=120° to 180°F

CARTRIDGE

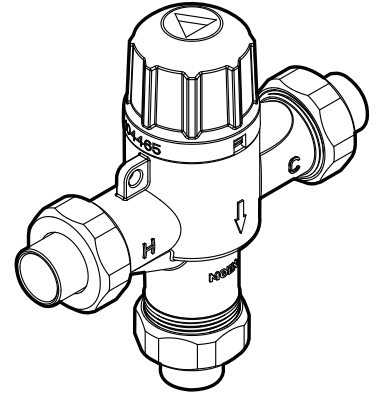
- Paraffin based thermostatic engine

STANDARDS

- Third party certified to meet CSA B-125.3, ASSE 1070 and all applicable requirements referenced therein
- AB1953 certified

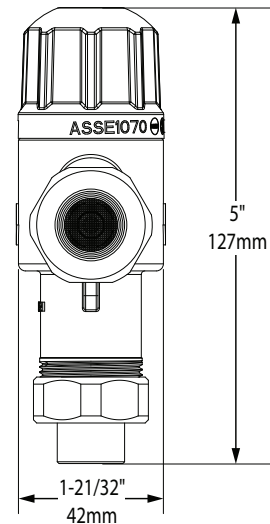
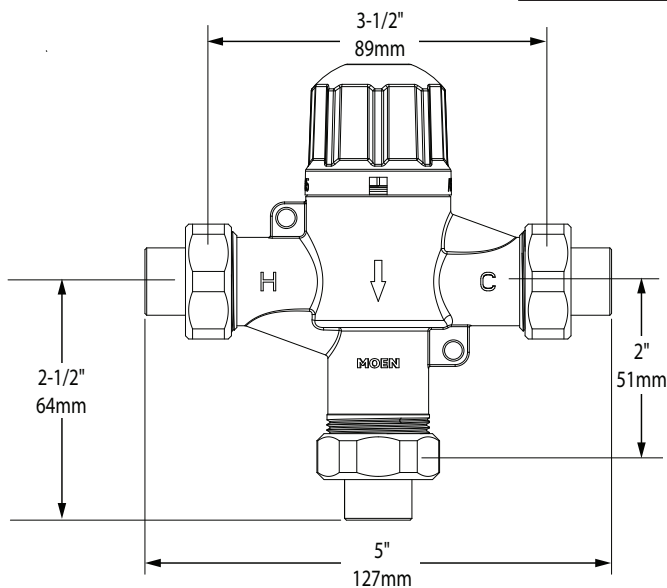
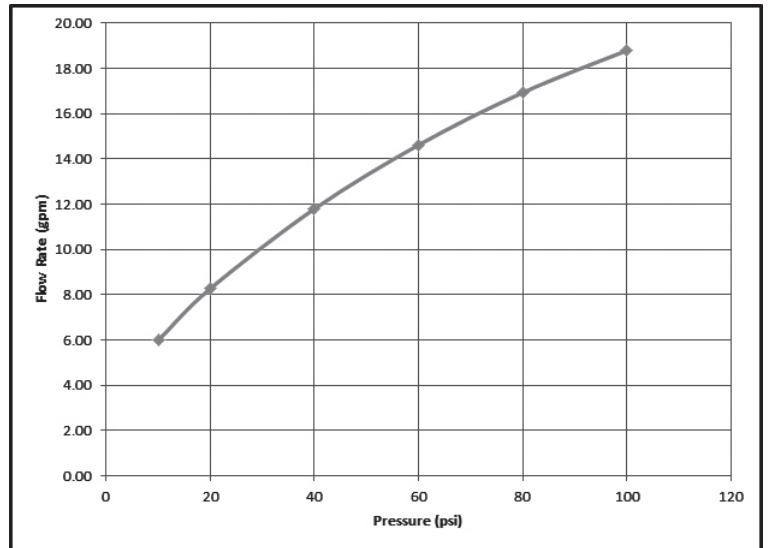
WARRANTY

- 5 year limited warranty



**Adjustable Temperature
Thermostatic Mixing Valve**

MODEL: 104465



CRITICAL DIMENSIONS

(DO NOT SCALE)