

# PFW0400 Series



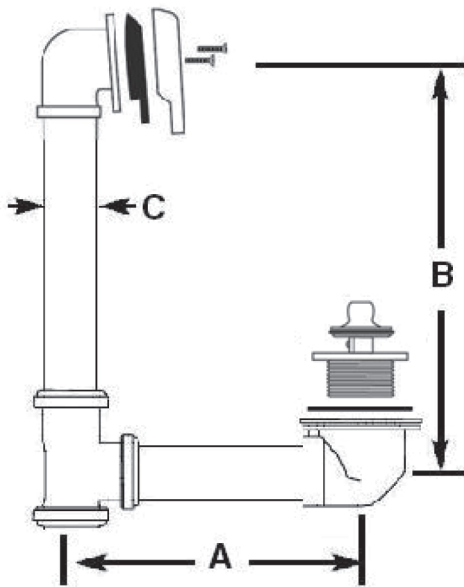
## W & O Bath Drain Plastic Tubular

### Product Features

- 1-1/2" Plastic tubular
- Available in Lift & Turn and Trip Lever style
- Easy to install - requires only philips head screwdriver
- IAPMO listed
- Caution: Do not use oil-based putty with plastic drains
- Plastic material: polypropylene
- Includes a set of TPR and Poly washers



PFW0400



✓ for Submittal	Model Number	Description	Dimensions						Style	Finish
			A		B		C			
			in	mm	in	mm	in	mm		
	<b>PFW0400</b>	W&O Bath Drain - Plastic Tubular	6.3-8.26	160-210	11.16-15.1	283.5-383.5	1.5	38.1	Lift & Turn	Chrome Plated Trim
	<b>PFW0401*</b>	W&O Bath Drain - Plastic Tubular	6.3-8.26	160-210	11.16-15.1	283.5-383.5	1.5	38.1	Trip Lever	Chrome Plated Trim
	<b>PFW0402</b>	W&O Bath Drain - Plastic Tubular	6.3-8.26	160-210	11.16-15.1	283.5-383.5	1.5	38.1	Trip Lever	Chrome Plated Trim

\*With brass drain

### Warranty and Codes

This PROFLO product carries a 1-year limited warranty.

