

PFW0500 Series

W & O Rough-in and Trim Kits



Product Features

- Waste & overflow Trim Kits with Test Kits Included
- IAPMO Listed
- Easy to install, requires only Philips Head Screwdriver
- CAUTION: do not use oil-based putty with plastic drains
- PFW0500 Brass drain body compatible with Lift & Turn stopper only

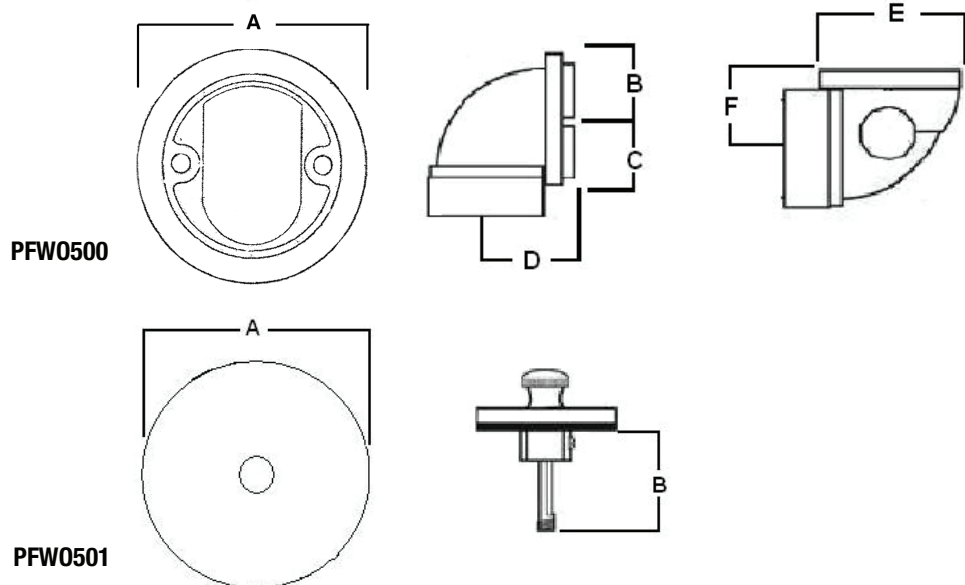
Optional Trim Kits

- PFW0502 Brushed Nickel
- PFW0503 Oil-Rubbed Bronze



PFW0500

✓ For Submittal	Model Number	Description	Dimensions												Style	Finish
			A		B		C		D		E		F			
			in	mm	in	mm	in	mm	in	mm	in	mm	in	mm		
	PFW0500	W&O ROUGH IN KIT - PVC SCH40	3.11	79	1.45	36.75	1.45	36.75	1.48	37.5	2.89	73.5	1.48	37.5	N/A	N/A
	PFW0501	W&O TRIM KIT	1.86	47.4	0.64	16.4									Lift & Turn	Chrome plated trim



Warranty and Codes

This PROFLO product carries a 1-year limited warranty.

