

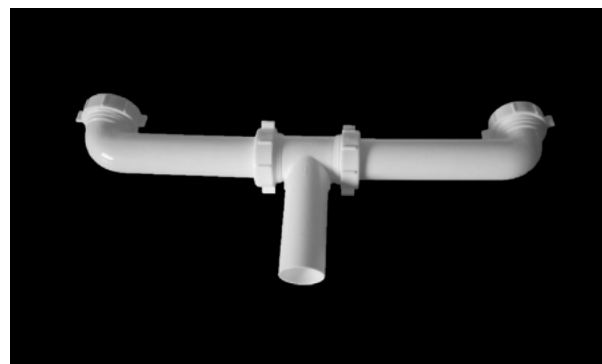
PFCWP100 Series

Plastic Center Outlet Waste w/ Baffle Tee



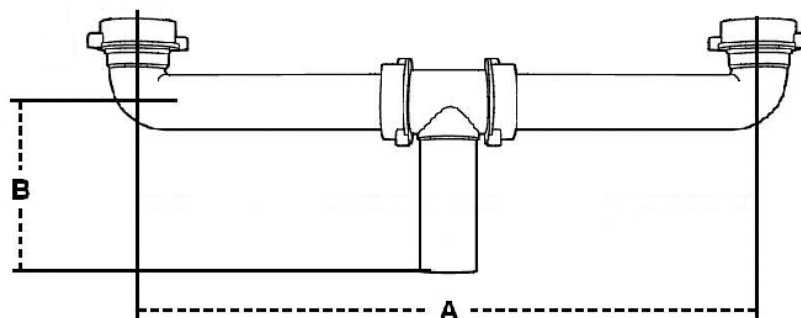
Product Features

- 1-1/2 X 16 Plastic Center Outlet Waste w/ Baffle Tee
- Slip Joint or Direct Connect
- PFCWP101: Includes 2 Hi-Line Nipples
- Material: Poly Propylene
- IAPMO Listed



PFCWP100

| ✓ For Submittal | Model Number | Description | Dimensions | | | | Connection | Color |
|-----------------|--------------|---|------------|-------|-------|-------|------------|-------|
| | | | A | | B | | | |
| | | | in | mm | in | mm | | |
| | PFCWP100 | 1-1/2 X 16 Plastic Center Outlet Waste w/ Baffle Tee | 16 | 406.4 | 4 5/8 | 117.5 | Slip Joint | White |
| | PFCWP101 | 1-1/2 X 16 Plastic Center Outlet Waste w/ Baffle Tee Hi-Line / Slip Joint | 16 | 406.4 | 4 5/8 | 117.5 | SJ / DC | White |



Warranty and Codes

This PROFLO product carries a 1-year limited warranty.

