

90™ Technical Specification

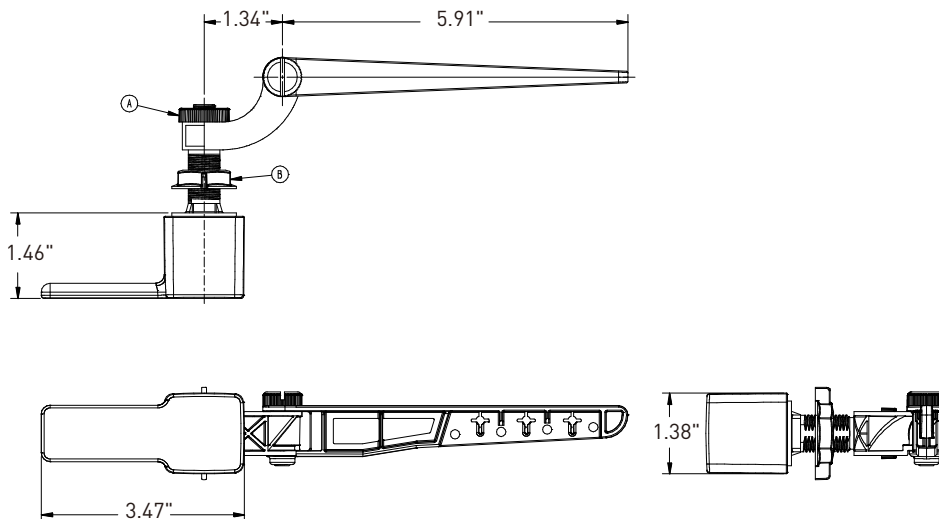
Tank Lever

YB 8801

Stock Numbers:

- **YB 8801BN – Tank Lever**
Brushed Nickel Finish
- **YB 8801CH – Tank Lever**
Chrome Finish
- **YB 8801BL – Tank Lever**
Matte Black Finish

Dimensions:



Materials:

Tank Lever is constructed of zinc. The arm mechanism is constructed of plastic.

Installation Instructions:

Please refer to product instructions for installation steps.

Cleaning Instructions:

To preserve the fine finish of this product, clean only with a soft damp cloth. Dry well. Do not use commercial or abrasive cleaners.

Stock Number: _____ Tank Lever
By Moen Incorporated

25300 AL MOEN DRIVE • NORTH OLMSTED, OH 44070
CORPORATE HEADQUARTERS: (800) 321-8809 • FAX: (800) 848-6636
INTERNATIONAL: (440) 962-2000 • FAX: (440) 962-2726
CUSTOMER SERVICE (USA) : 800-882-0116 • FAX: (888) 379-2720
WWW.MOEN.COM

MOEN®

© 2023 Moen Incorporated. Moen is a registered trademark and 90° is a trademark of Moen Incorporated. All rights reserved.