

4

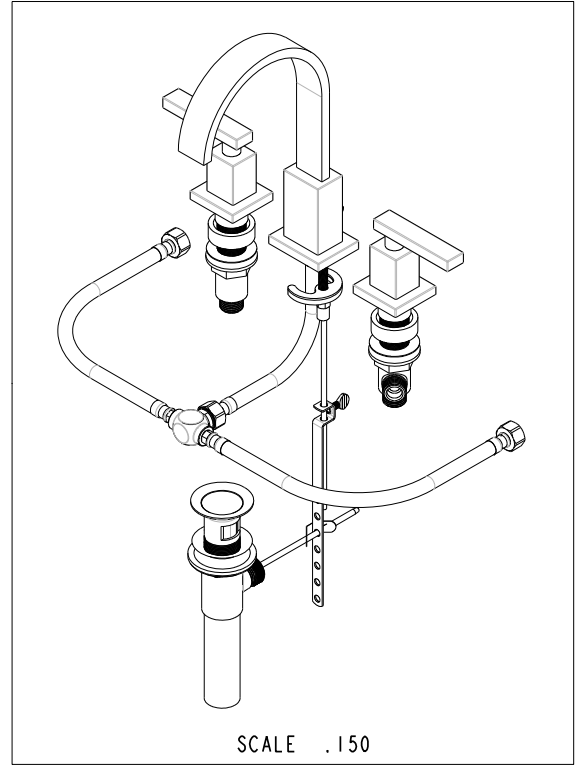
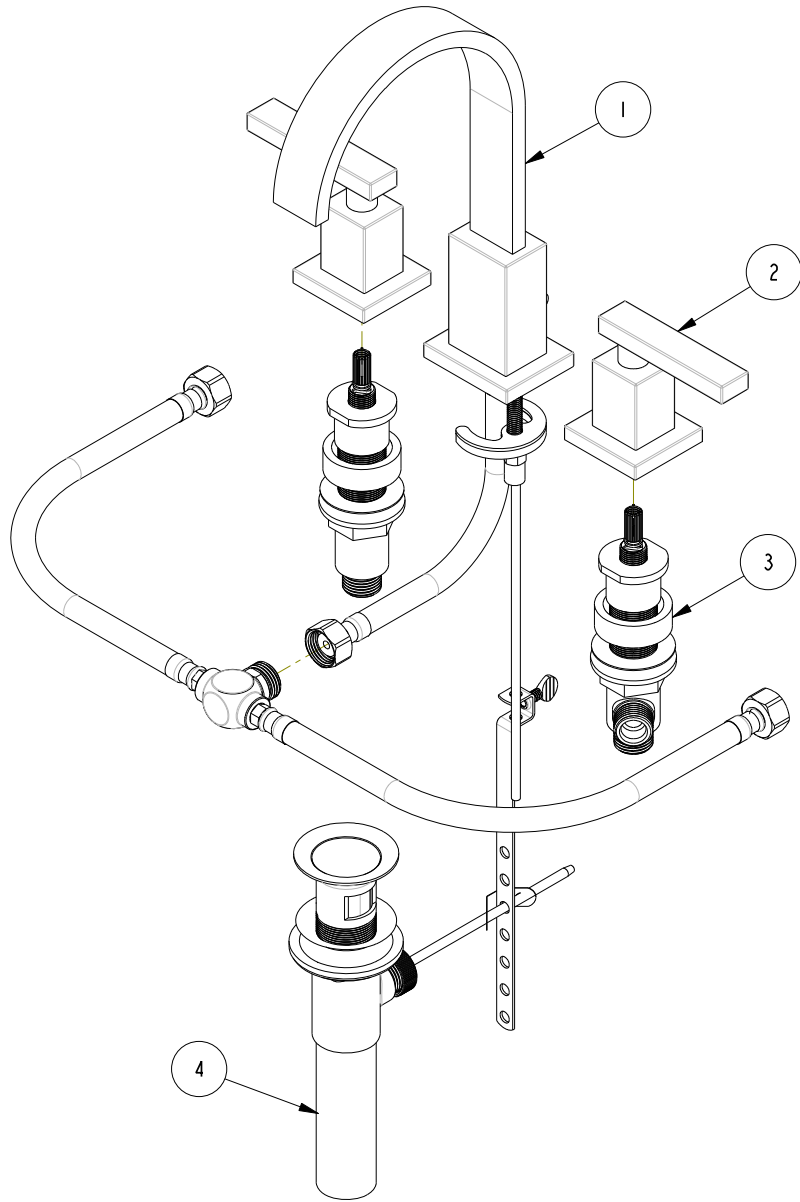
3

2

1

BILL OF MATERIAL (CURRENT LEVEL)

| ITEM | PT/ASSY | DESCRIPTION | TYPE | QTY. |
|------|---------|--------------------------------|----------|------|
| 1 | 3-434 | W/S SPOUT ASSEMBLY | ASSEMBLY | 1 |
| 2 | 3-368 | HANDLE AND ESCUTCHEON ASSEMBLY | ASSEMBLY | 2 |
| 3 | 1-676 | W/S VALVE INSTALLATION | ASSEMBLY | 1 |
| 4 | 325 | POP UP ASSEMBLY | ASSEMBLY | 1 |



| | | |
|-----|----------|----------|
| E | EN-2120 | 04/09/12 |
| D | EN-1875 | 09/12/11 |
| C | EN-1823 | 08/01/11 |
| B | EN-1616 | 09/13/10 |
| A | EN-1265B | 11/25/09 |
| - | EN-1265 | 10/30/09 |
| REV | REV DESC | DATE |

COPYRIGHT 2005 BRASSTECH, INC. THESE DRAWINGS AND THE DESIGNS DEPICTED HEREIN ARE THE PROPRIETARY PROPERTY OF BRASSTECH. ANY USE OR REPRODUCTION IS SUBJECT TO THE EXPRESS APPROVAL OF BRASSTECH. UNAUTHORIZED USE IS STRICTLY PROHIBITED. ALL RIGHTS RESERVED.

BRASSTECH
INCORPORATED

2001 E. CARNEGIE AVE.
SANTA ANA, CA 92705
(949) 417-5207

W/S FAUCET

ASSY. NO. 2040

SCALE .250

REF. -

SHEET 1 OF 2

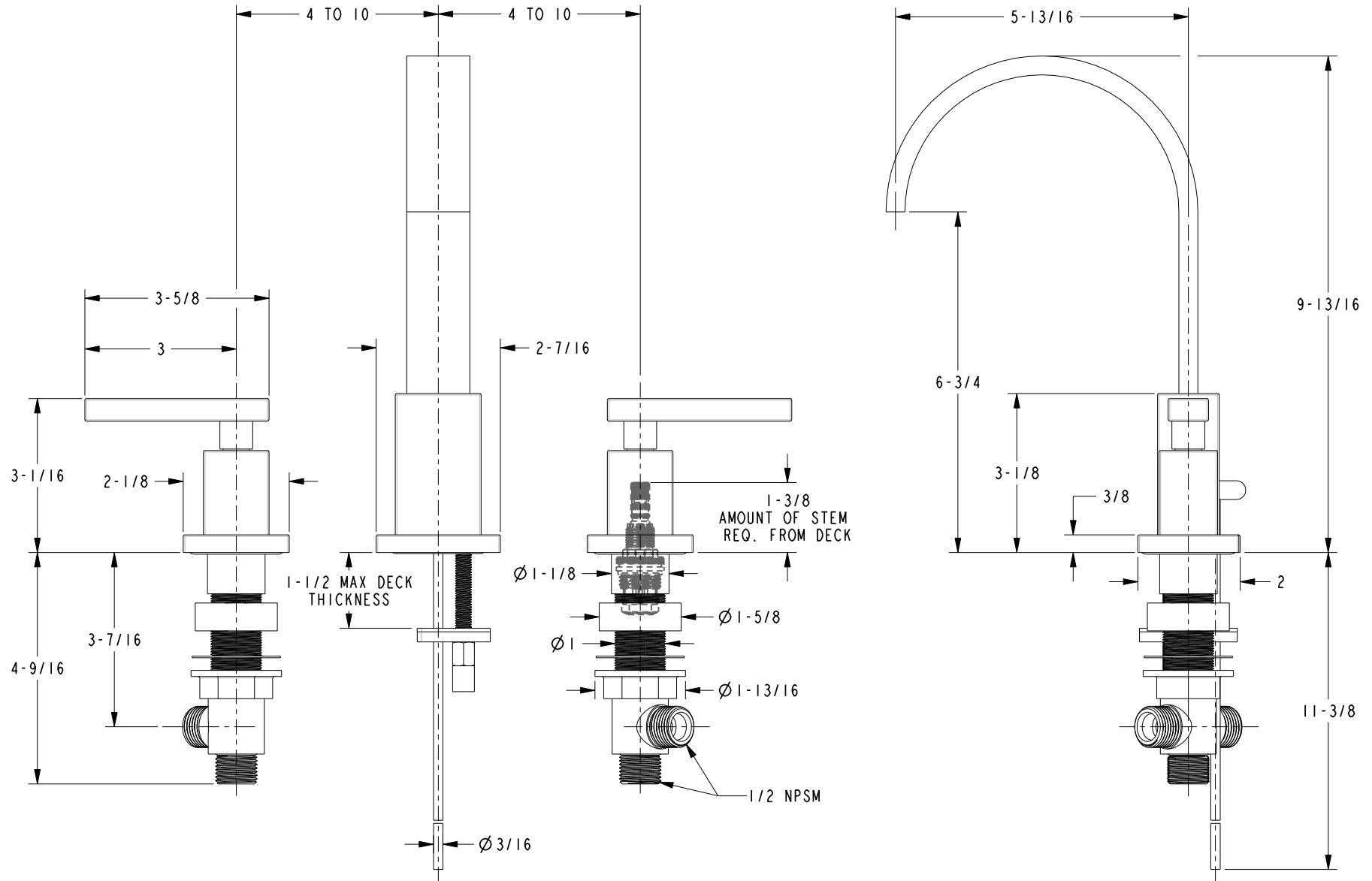
4

3

2

1

SPECIFICATION DWG



DIMENSIONS ARE IN INCHES AND AN APPROXIMATION OF A TYPICAL INSTALLATION

COPYRIGHT 2005 BRASSTECH, INC. THESE DRAWINGS AND THE DESIGNS DEPICTED HEREIN ARE THE PROPRIETARY PROPERTY OF BRASSTECH. ANY USE OR REPRODUCTION IS SUBJECT TO THE EXPRESS APPROVAL OF BRASSTECH. UNAUTHORIZED USE IS STRICTLY PROHIBITED. ALL RIGHTS RESERVED.

| | | |
|------------------|------|---|
| BRASSTECH | | 2001 CARNEGIE AVE. SANTA ANA, CA 92705 (949) 417-5207 |
| DWG NO. | 2040 | REV E |
| SCALE | .350 | SHEET 2 OF 2 |