

PF7611G SINGLE HANDLE TUB AND SHOWER TRIM KIT



Model Numbers

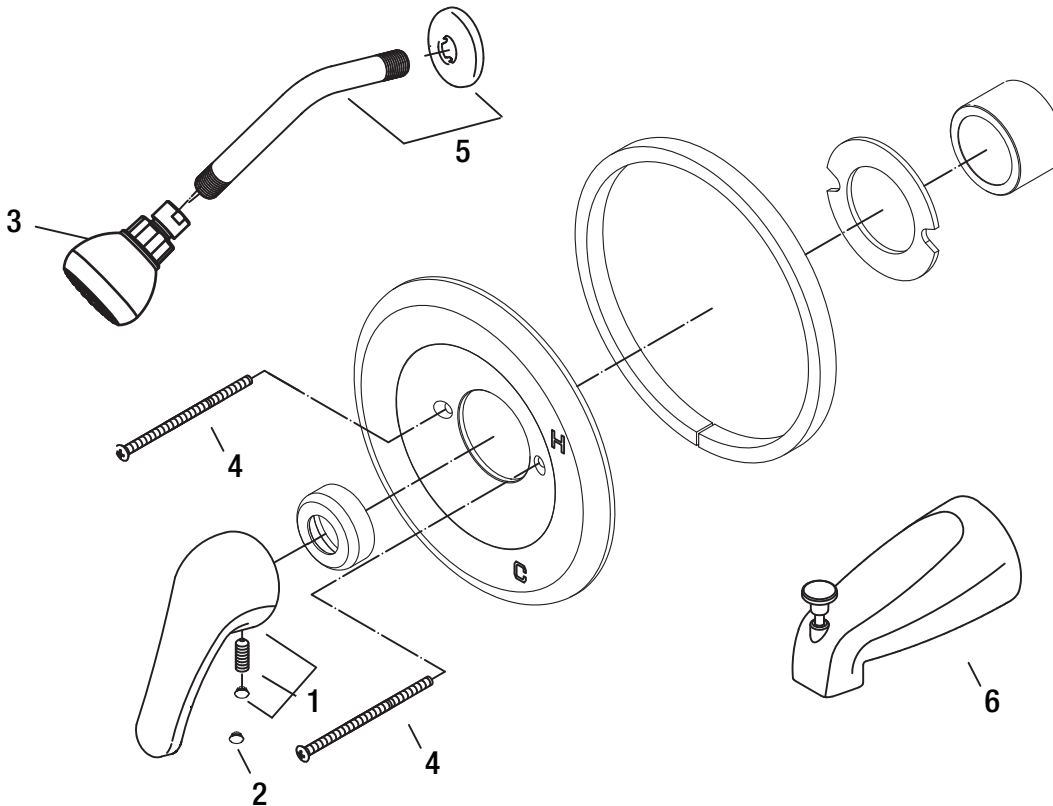
PF7611GCP
PF7611GZBN



PF7611GCP

| NO. | ITEM | PART NUMBER | MATERIAL TYPE |
|-----|-------------------------------|--------------|---------------|
| 1 | Metal handle | OBPF7654075* | Zinc |
| 2 | Red/Blue cap | OBPF3655400 | ABS |
| 3 | Showerhead | OBPF6654007* | ABS+Zinc |
| 4 | Escutcheon screw (set of 2) | OBPF1654271* | S/S |
| 5 | Shower arm with flange | PFSK46* | S/S |
| 6 | Spout | PF1096* | Zinc |

* Specify Finish



Warranty and Codes

This product comes complete with installation, operating, care and maintenance instructions. This PROFLO faucet carries a limited lifetime warranty when installed in residential applications. The warranty is five years in commercial applications. This product meets ASME: A112.18.1. Compliant with lead content requirements of US Senate Bill S.3874

