

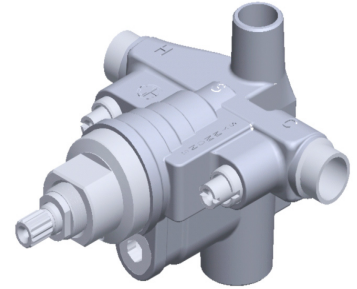
Location:

SYMMONS® Temptrol®

Shower & Tub-Shower Mixing Valve

Models S-86-1-BODY-X, S-86-2-BODY-X

Specification & Parts Assembly Submittal



Model Numbers

- S-86-1-BODY-X Shower Valve
4-Port Temptrol Shower mixing valve with integral volume control. Includes plug installed in tub supply output port.
- S-86-2-BODY-X Tub-Shower Valve
4-Port Temptrol Tub-Shower mixing valve with integral diverter.

Feature Highlights

- Symmons Temptrol 4-port pressure-balancing mixing valve with adjustable stop screw to limit handle turn
- Integral service stops to allow water shut-off for servicing valve
- Supply input ports 1/2 inch sweat
- Output ports NPS Threaded 1/2 inch
- Integral volume control port (S-86-1-BODY-X only)
- Integral diverter (S-86-2-BODY-X only)

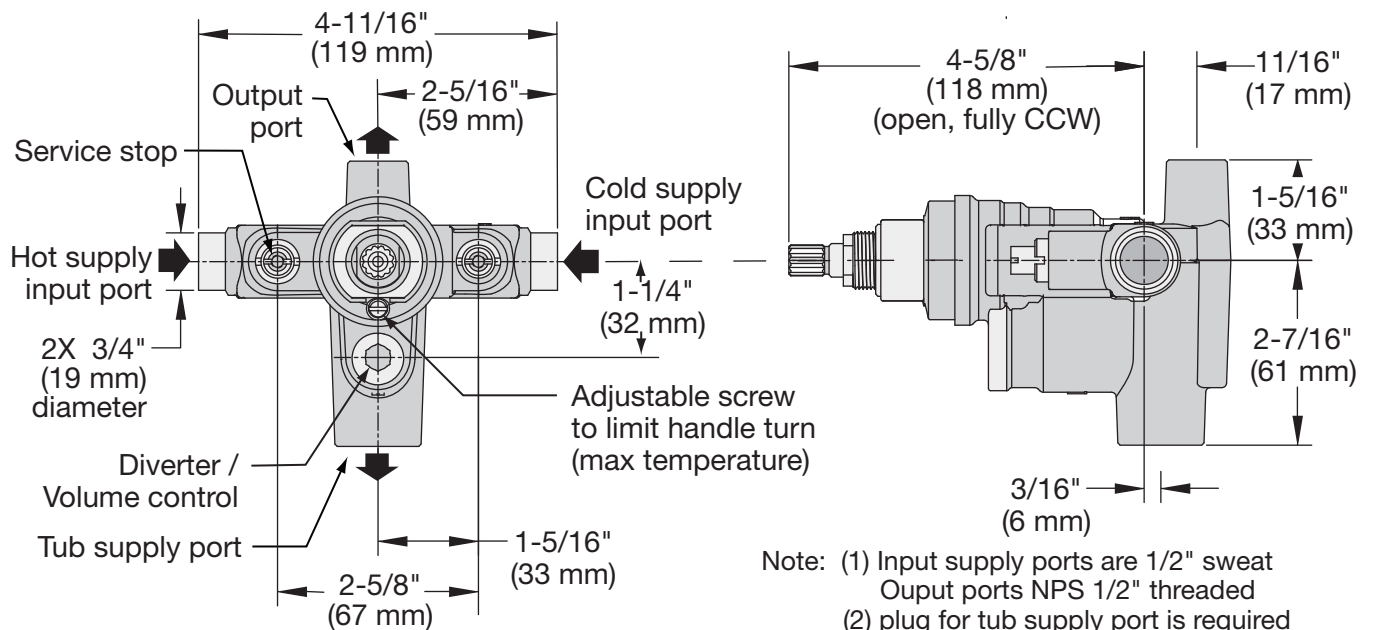
Warranty

- Limited Lifetime - to the original end purchaser in residential/consumer installations.
- 5 years - for commercial installations

Standards / Certifications

ASME A112.18.1-2005/CSA B125.1-05

Dimensions *Temptrol Shower & Tub-Shower Valve, 4-port valve with service stops*



Parts Assembly *Temptrol Tub-Shower Valve, S-86-1-BODY-X / S-86-2-BODY-X*

S-86-1-BODY-X.....Shower only valve (v1)

S-86-2-BODY-X.....Tub Shower valve (v2)

