



DESCRIPTION

The Apollo Air Gap Drain (AGD) is designed to funnel minor relief valve (RV) discharges due to line pressure fluctuations and/or minor check valve fouling into the drainage system.

NOTES:

Drainage piping is easily attached to the threaded portion of the AGD. The Female NPT size is listed in the table under "EXIT PIPING THREADS C". The AGD is epoxy-coated steel. The OD is listed in the table under "OD OF C".

NOTE: Use care when installing excess piping or using bends or elbows which induce any side load or bending. Pipe hangers should be used to support attached piping.

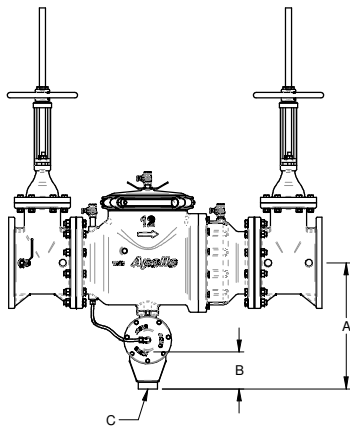
AIR GAP DRAIN (AGD)

For installation with Apollo's: Reduced Pressure Principle (RP) and Reduced Pressure Detector Assembly Backflow Preventers

Model RP4A 10" & 12"
Model RPDA4A 10" & 12"
Model RPDA2 4A 10" & 12"

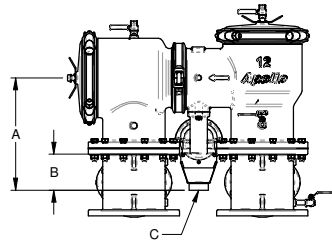
Model RP4AN 10" & 12"
Model RPDA4AN 10" & 12"
Model RPDA2 4AN 10" & 12"

NOTE: The AGD is not designed to collect the full discharge capacity of the relief valve.



4A SERIES

MODEL	A	B	EXIT PIPING THREADS C	OD OF C
RP4A	26.3	7.7	3" FNPT	4.0"
RP4AN	23.4	7.7	3" FNPT	4.0"



4AN SERIES

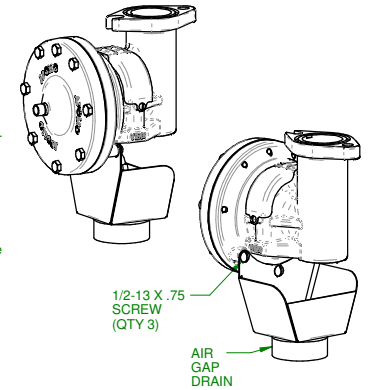
NOTE: Isolate the RP device from line pressure and relieve internal pressure before installing the Air Gap Drain.

Tools required for AGD4A12IN installation: Slotted screwdriver and 3/4" box wrench.

For these models **ONLY:**

RP4A 10" & 12"
RPDA4A 10" & 12"
RPDA24A 10" & 12"
RP4AN 12"
RPDA4AN 12"
RPDA24AN 12"

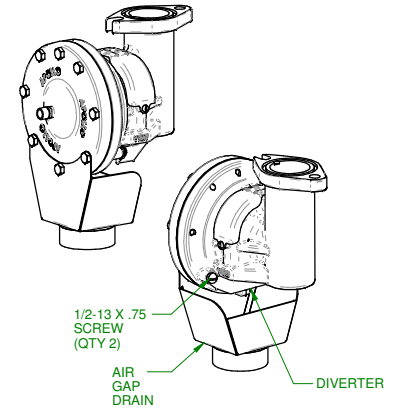
- Align the AGD over the threaded holes from the vent side as shown. Install provided screws to hold the AGD in place.
- Tighten the screws with a slotted screwdriver until snug. DO NOT OVERTIGHTEN.
- Re-establish line pressure within the RP and check for leaks.
- Hand thread the drainage piping into the AGD. See the table for the appropriate OD.



For these models **ONLY:**

RP4AN 10"
RPDA4AN 10"
RPDA24AN 10"

- Remove bolts on RV cover at 5, 6, and 7 o'clock locations.
- Install AGD on front of RV cover as shown. Re-install bolts and secure AGD.
- Install diverter over threaded holes on vent side of RV with two (2) slotted head screws.
- Re-establish line pressure within the RP and check for leaks.
- Hand thread the drainage piping into the AGD. See the table for the appropriate OD.



CALIFORNIA PROP 65: WARNING: Cancer and Reproductive Harm - www.P65Warnings.ca.gov