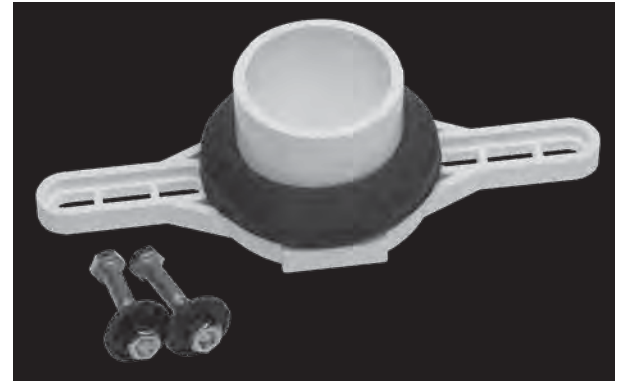




ABS/PVC Plastic Urinal Flanges

Product Features

- ABS or PVC construction
- Adjustable horizontal flange kit
- Fittings available:
Hub (over pipe), Spigot (inside fitting), inside (inside pipe)
- Includes stainless steel bolts, washers and nuts
- Includes thick rubber washer

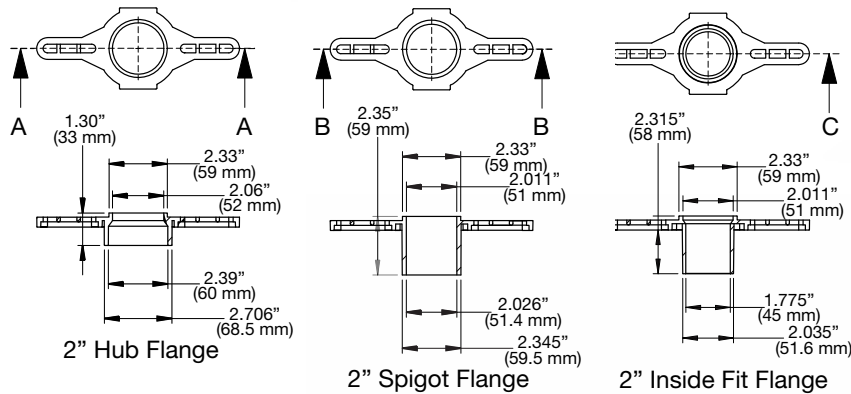
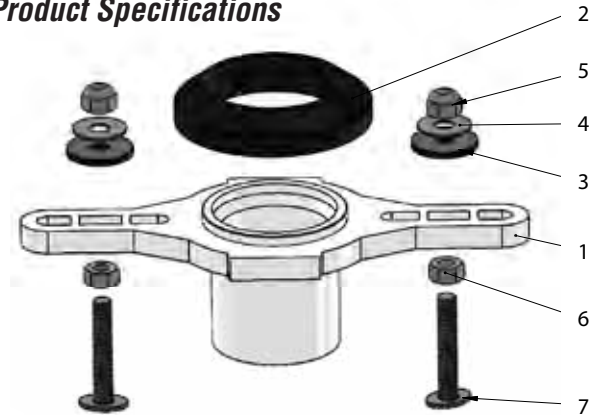


PFFPHUFK

Product Codes

PFAHUFK	2 ABS Horz Hub Urinal Flange Kit	A
PFASUFK	2 ABS Horz Spgt Urinal Flange Kit	B
PFAIUFK	2 ABS Horz Ins Fit Urinal Flange Kit	C
PFFPHUFK	2 PVC Horz Hub Urinal Flange Kit	A
PFFSUFK	2 PVC Horz Spgt Urinal Flange Kit	B
PFFPIUFK	2 PVC Horz Ins Fit Urinal Flange Kit	C

Product Specifications



PART	DESCRIPTION	MATERIAL
1	BODY	PVC (WHITE) ABS (BLACK)
2	WASHER	FOAM RUBBER
3	WASHER	RUBBER
4	WASHER	STAINLESS STEEL
5	NUT	STAINLESS STEEL
6	NUT	STAINLESS STEEL
7	SCREW	STAINLESS STEEL

Warranty and Codes

This product comes with a 1-year limited warranty. ASTM D2467 Sch 80 standard

Distributed Exclusively by Ferguson and Wolseley Canada