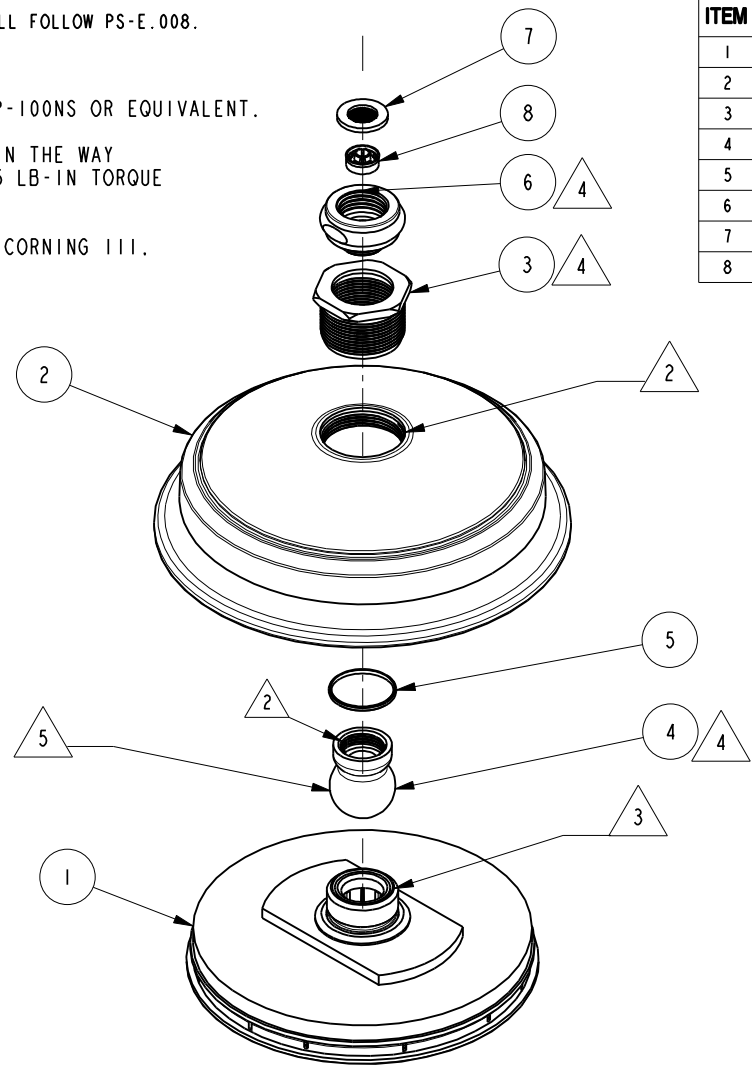


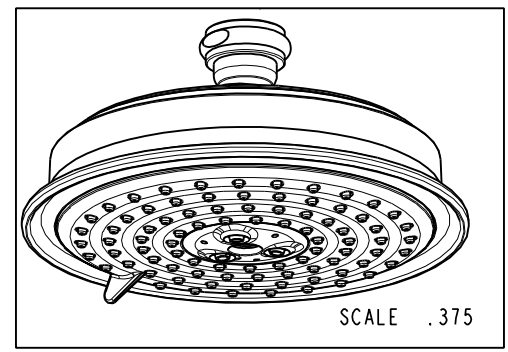
NOTES:

- (NI) 1. FIT / FORM / FUNCTION SHALL FOLLOW PS-E.008.
- 2. APPLY LOCTITE 680.
- 3. APPLY 3M SCOTCH-WELD DP-100NS OR EQUIVALENT.
- (N4) 4. TIGHTEN THE NUT 80151 IN THE WAY THAT IT WILL TAKE 20-25 LB-IN TORQUE TO MOVE THE PIVOT BALL.
- 5. APPLY THIN FILM OF DOW CORNING 111.



BILL OF MATERIAL (CURRENT LEVEL)

ITEM	PT/ASSY	DESCRIPTION	TYPE	QTY.
1	5-065	SHOWER ENGINE - 3 JET	ASSEMBLY	1
2	80144	SHOWERHEAD SHELL	PART	1
3	13111	SHOWER HEAD NUT	PART	1
4	80150	PIVOT BALL	PART	1
5	91157	WSHR, .920 ID X 1.0 OD X .066 THK, FLT, NYLON	PART	1
6	80151	SHOWER SPOUT NUT	PART	1
7	91606	GASKET W/ FILTER SCREEN	PART	1
8	12833	FLOW REGULATOR, 1.8 GPM MAX	PART	1



ZONE	REV	DESCRIPTION	DATE	APPROVED
-	E	EN-3999	10/17/19	C.G.
-	D	EN-3732	12/05/18	C.G.
-	C	EN-3552	03/20/18	V.V.
-	B	EN-3410	12/30/17	C.G.
-	A	EN-1668	04/05/11	-
-	-	EO-0894	10/18/07	-

COPYRIGHT 2005 BRASSTECH, INC. THESE DRAWINGS AND THE DESIGNS DEPICTED HEREIN ARE THE PROPRIETARY PROPERTY OF BRASSTECH. ANY USE OR REPRODUCTION IS SUBJECT TO THE EXPRESS APPROVAL OF BRASSTECH. UNAUTHORIZED USE IS STRICTLY PROHIBITED. ALL RIGHTS RESERVED.

TESTING	ASSEMBLY	PLATING	POLISHING	MACHINING	TOOLING FIXTURE #
-	-	-	-	-	-
-	-	-	-	-	-
-	-	3-2524BP	3-2524BP	-	-
-	-	NEXT ASSY	USED ON	-	-
-	-	APPLICATION		-	-
-	-	REMOVE ALL BURRS AND SHARP EDGES		-	-

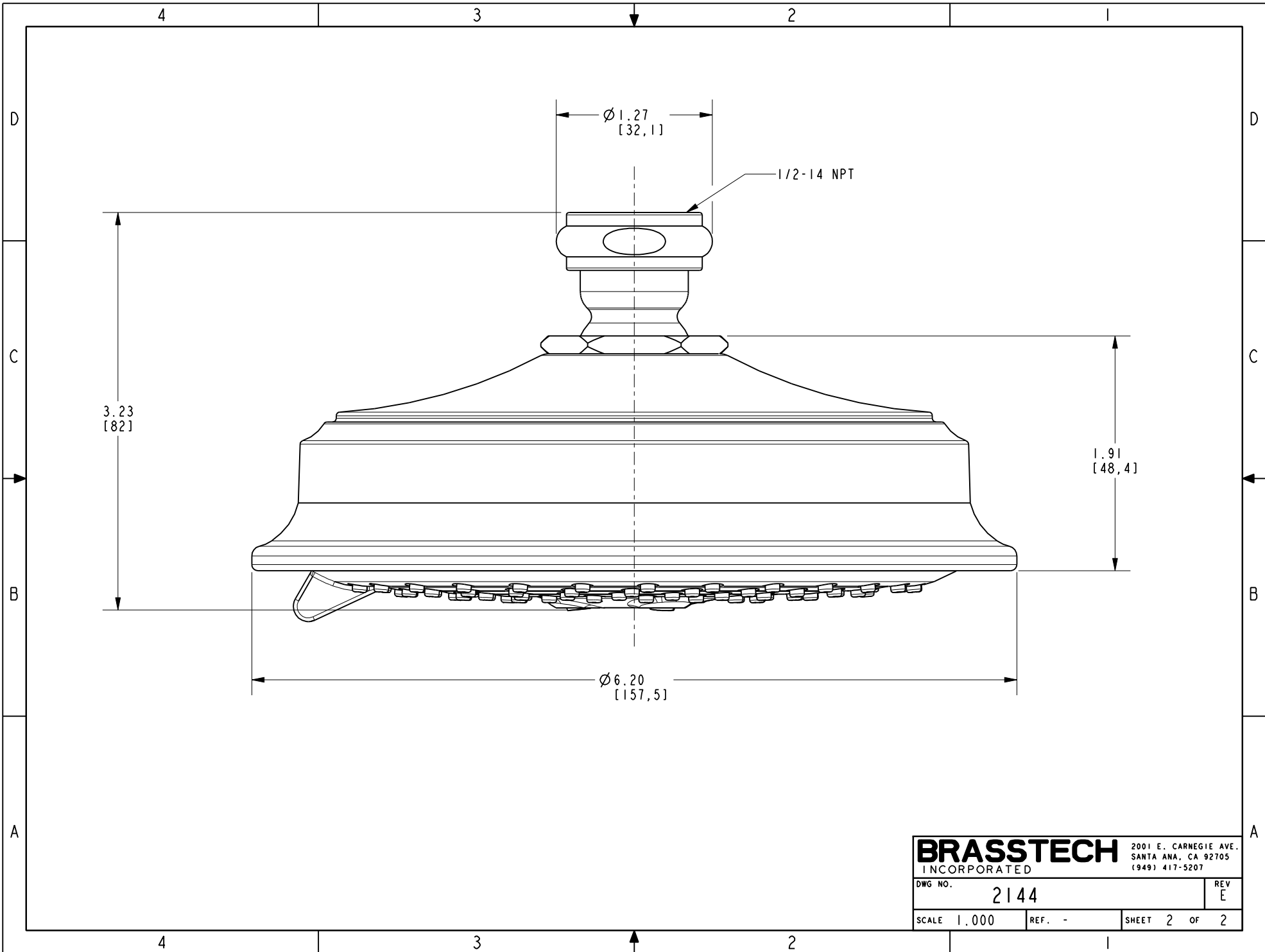
UNITS ARE: INCHES [MM]	TOLERANCES ARE:
FRACTIONS DECIMALS	ANGLES
±1/16"	.X ±.1 [2,5]
	.XX ±.06 [1,5]
(X.XXX)	DENOTES CRITICAL DIMS.
	ALL THREADS ARE CRITICAL
DRAWN	MANJUNATH
	10/17/19
CHECKED	C.G.
	10/17/19
APPROVED	C.G.
	10/17/19

BRASSTECH 2001 CARNEGIE AVE. SANTA ANA, CA 92705 (949) 417-5207
INCORPORATED

TRAD. SHOWER HEAD - 5 JETS

DWG NO. 2144

SCALE .350 REF. - SHEET 1 OF 2



BRASSTECH		2001 E. CARNEGIE AVE. SANTA ANA, CA 92705 (949) 417-5207	
DWG NO.	2144	REV	E
SCALE	1.000	REF.	-
SHEET 2		OF 2	