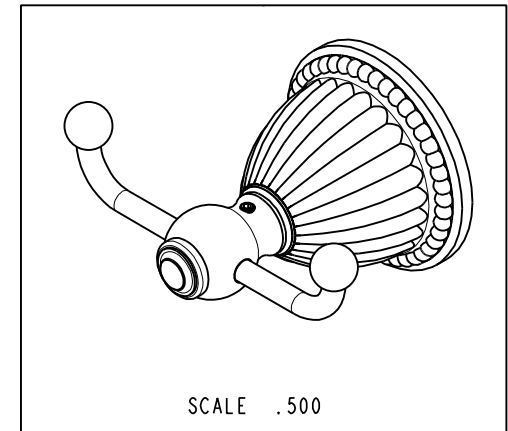
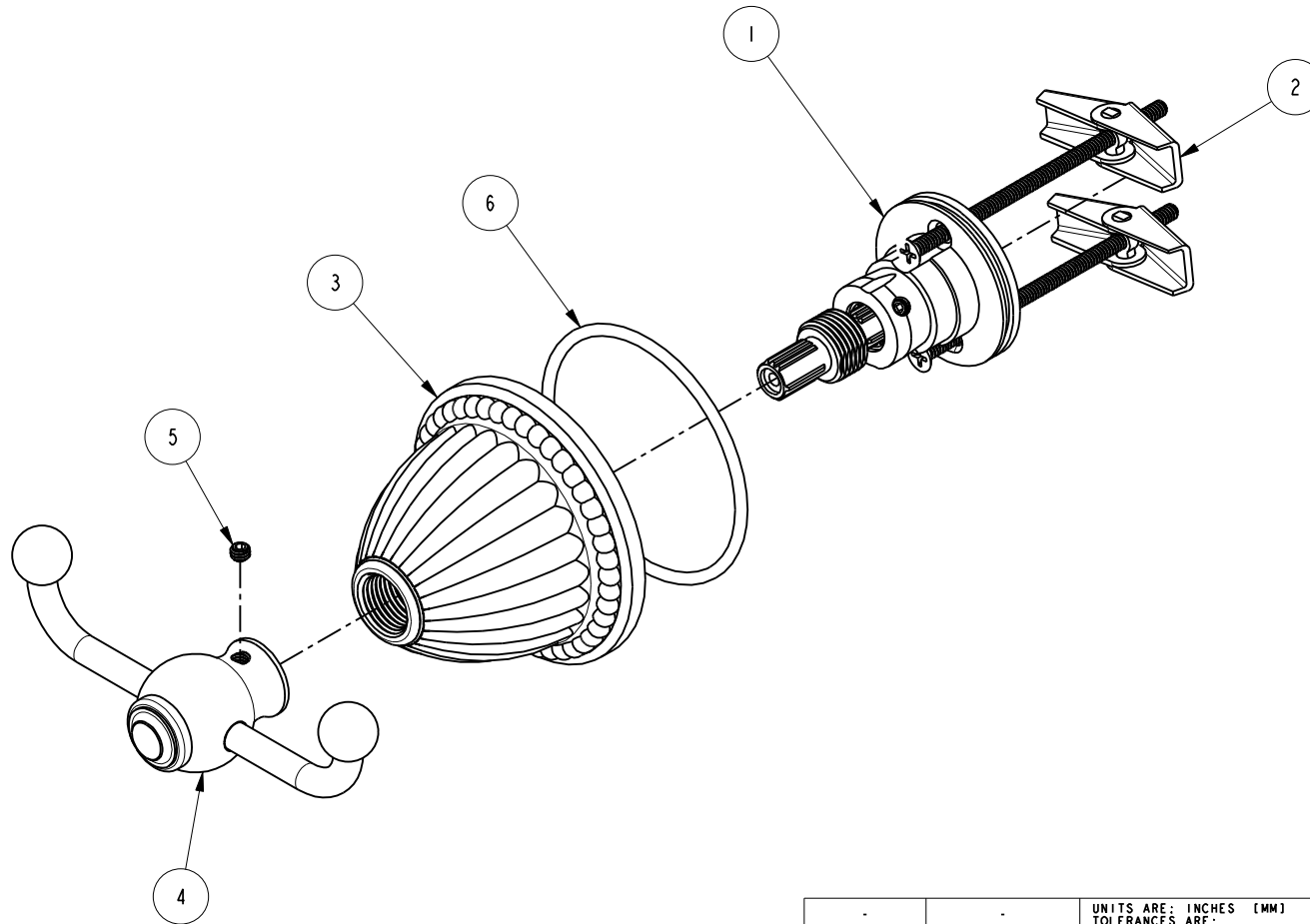


NOTES:

(N1) 1. FIT / FORM / FUNCTION SHALL FOLLOW PS-E.008.

BILL OF MATERIAL (CURRENT LEVEL)

ITEM	PT/ASSY	DESCRIPTION	TYPE	QTY.
1	1-212	ACCESSORY MTG KIT	ASSEMBLY	1
2	1-125	HARDWARE KIT	ASSEMBLY	1
3	12172	ESCUTCHEON, 880 SERIES	PART	1
4	7-561	DOUBLE GARMENT HOOK POST ASSY	ASSEMBLY	1
5	92000	SCREW 8 - 32 X 1/8 SS	PART	1
6	91751	O-RING, #2-139, 50 DURO	PART	1



ZONE	REV	DESCRIPTION	DATE	APPROVED
-	C	EN-3722	02/08/19	C.G.
-	B	EN-2509c	02/21/14	-
-	A	EN-1241a	09/14/09	-
-	-	RELEASED	08/29/03	-

COPYRIGHT 2005 BRASSTECH, INC. THESE DRAWINGS AND THE DESIGNS DEPICTED HEREIN ARE THE PROPRIETARY PROPERTY OF BRASSTECH. ANY USE OR REPRODUCTION IS SUBJECT TO THE EXPRESS APPROVAL OF BRASSTECH. UNAUTHORIZED USE IS STRICTLY PROHIBITED. ALL RIGHTS RESERVED.

TESTING	-	-	-
ASSEMBLY	-	-	-
PLATING	-	-	-
POLISHING	-	NEXT ASSY	USED ON
MACHINING	-	APPLICATION	
TOOLING FIXTURE #	REMOVE ALL BURRS AND SHARP EDGES		

UNITS ARE: INCHES [MM]  
TOLERANCES ARE:  
FRACTIONS DECIMALS ANGLES  
±1/16" .X ±.1 [2,5] ±1°  
.XX ±.06 [1,5]

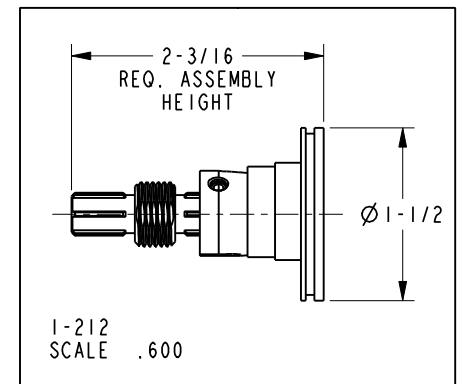
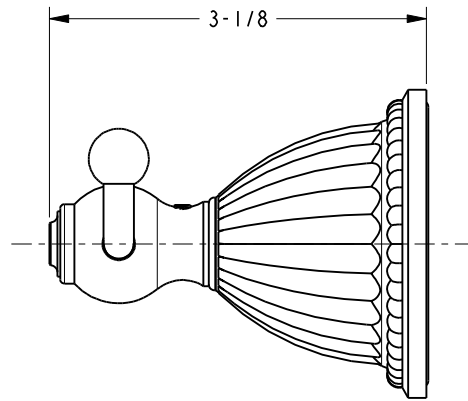
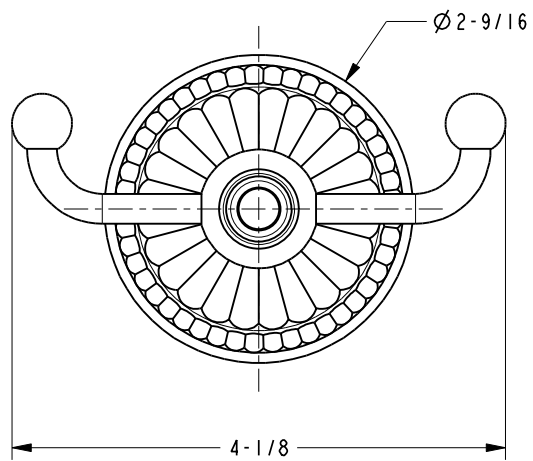
(X.XXX) DENOTES CRITICAL DIMS.  
ALL THREADS ARE CRITICAL

DRAWN	MANJUNATH	02/08/19
CHECKED	C.G.	02/08/19
APPROVED	C.G.	02/08/19

**BRASSTECH** 2001 CARNEGIE AVE.  
INCORPORATED SANTA ANA, CA 92705  
(949) 417-5207

DOUBLE GARMENT HOOK, ASM  
BQ1

DWG NO.	22-13	REV	C
SCALE	.625	REF.	-
SHEET	1	OF	2



<b>BRASSTECH</b>		2001 E. CARNEGIE AVE. SANTA ANA, CA 92705 (949) 417-5207	
INCORPORATED			
DWG NO.	22-13	REV	C
SCALE	.625	REF.	-
		SHEET	2 OF 2