

# VIRIGINA

## Features

- Solid brass construction
- Face plate with ADA compliant traditional cross handle
- ADA compliant traditional cross handle assembly and insert options for control valve
- Intended for use with Newport Brass rough valve(s) as specified (Required Accessory)

## Codes / Standards Compliance

Meets or exceeds the following at date of manufacture:

- ASME A112.18.1/CSA B125.1
- IAPMO/cUPC
- IPC
- ADA
- ICC/ANSI A117.1
- ASSE 1016
- All applicable US Federal and State material regulations

## Colors / Finishes

- 10B: Oil Rubbed Bronze
- 15: Polished Nickel
- 15S: Satin Nickel - PVD
- 26: Polished Chrome
- Other: Refer to the Newport Brass catalog for additional color/finish options.

## Tub or Shower Trim (less tub spout or showerhead, arm & flange)

# 4-1684BP

Also 3-284A, 3-284B, 2-532



4-1684BP



2-532



3-284A



3-284B

## Specified Model

Model	Description	Colors   Finishes				
4-1684BP	Tub or Shower Trim (less tub spout, or showerhead, arm & flange)	<input type="checkbox"/> 10B	<input type="checkbox"/> 15	<input type="checkbox"/> 15S	<input type="checkbox"/> 26	<input type="checkbox"/> Other
3-3284A	Shower System Control Valve Trim (Escutcheon/Handle, Arrow Insert)	<input type="checkbox"/> 10B	<input type="checkbox"/> 15	<input type="checkbox"/> 15S	<input type="checkbox"/> 26	<input type="checkbox"/> Other
3-3284B	Shower System Control Valve Trim (Escutcheon/Handle, Plain Insert)	<input type="checkbox"/> 10B	<input type="checkbox"/> 15	<input type="checkbox"/> 15S	<input type="checkbox"/> 26	<input type="checkbox"/> Other
2-532	Optional Metal Insert for System Control Valve Trim	<input type="checkbox"/> 10B	<input type="checkbox"/> 15	<input type="checkbox"/> 15S	<input type="checkbox"/> 26	<input type="checkbox"/> Other

## Required Accessory: Trim(s), above, and Rough Valve(s), below, must be specified.

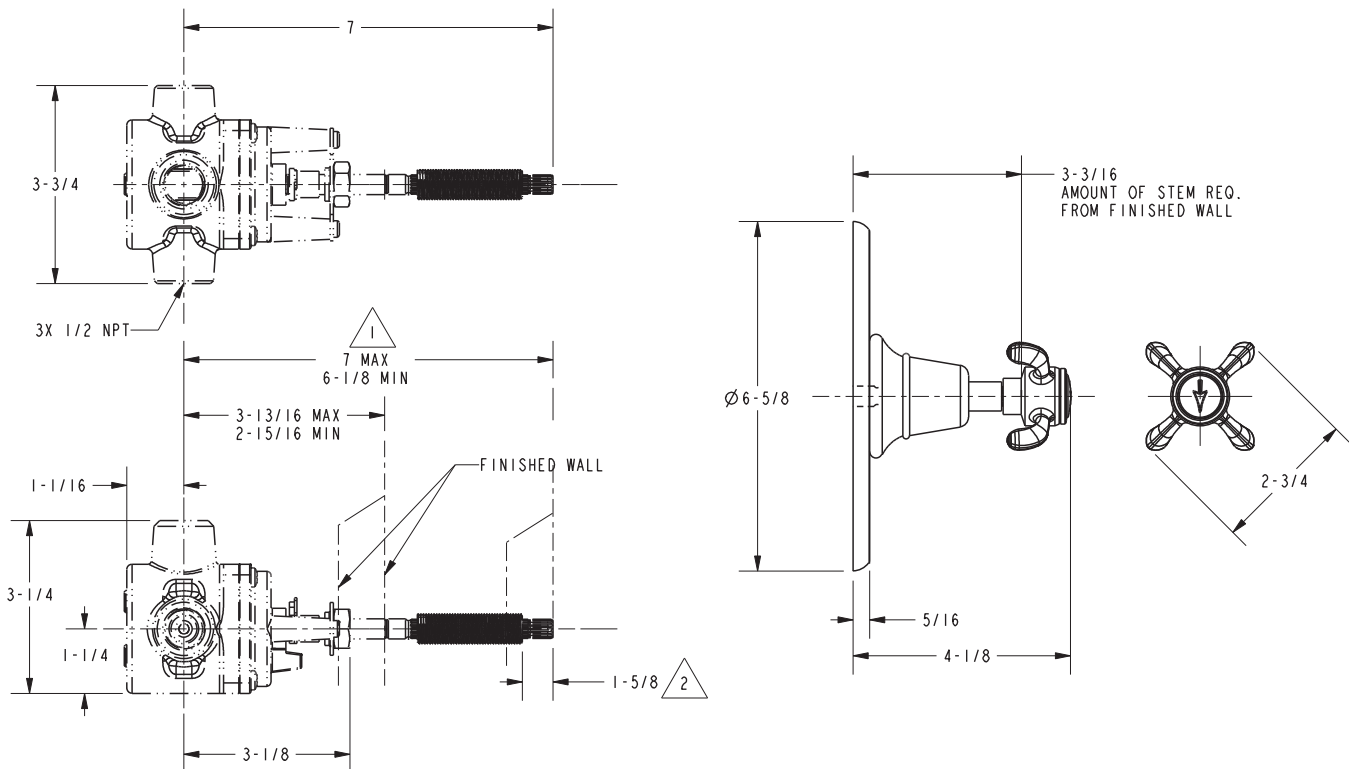
Application	Shower (or Tub) Valve (Choose One)		Control Valve
<b>Description</b>	Balance Pressure (BP)	Balance Pressure (BP)	Diverter (3/4 Port)
<b>Inlet/Outlet Size</b>	1/2"	1/2"	1/2"
<b>Part Number</b>	<input type="checkbox"/> 1-594	<input type="checkbox"/> 1-684	<input type="checkbox"/> 1-617
<b>Image</b>			

## Product Specification: Add size designator and "Color / Finish" suffix to Model number, below.

The single-control Tub or Shower Trim (less tub spout or showerhead, arm & flange) shall be made of solid brass construction. Tub or Shower Trim shall include faceplate with ADA compliant handle. Shower System Control Valve Trim(s) (Escutcheon/Handle) shall be ADA compliant when used with specified Shower System Control Valve. Tub or Shower Trim (less tub spout or showerhead, arm & flange) shall be Newport Brass Model 4-1684BP/\_\_\_\_ and single-control Tub or Shower rough valve shall be Newport Brass Model 1-\_\_\_\_. [Optional Shower System Control Valve Trim (Escutcheon/Handle) shall be 3-284\_\_\_\_/\_\_\_\_ and Shower System Control Valve shall be 1-617]. [Metal Insert for System Control Valve Trim (Escutcheon/Handle) shall be 2-532/\_\_\_\_.]

# 4-1684BP

## PRODUCT DIMENSIONS *(Units are in inches)*



NOTES:

1. CUT STEM TO DIMENSION SHOWN.
2. CUT ALL-THREAD 1-5/8" SHORTER THAN STEM.
3. VALVE, PN: 1-504, SOLD SEPARATELY.

Virginia Tub or Shower Trim  
**4-1684BP**