

# FAIRFIELD

## Features

- Solid brass construction
- 6.01" (15.3 cm) spout height at outlet
- 11.52" (29.3 cm) spout reach (c-c)
- Intended for use with Newport Brass rough valve kit (Required Accessory) which incorporates the following:
  - Brass valve bodies and quick-connect spout fitting
  - Quarter-turn washerless ceramic disc 3/4" valve cartridges
- Diverter valve and hoses as needed for handshower
- ADA Compliant
- 1.8 GPM (6.8 LPM) Max, Handshower Only

## Roman Tub with Handshower Deck Trim

# 3-1007



## Colors / Finishes

- 10B: Oil Rubbed Bronze
- 15: Polished Nickel
- 15S: Satin Nickel - PVD
- 26: Polished Chrome

• Other: Refer to the Newport Brass catalog for additional color/finish options.

## Codes / Standards Compliance

Meets or exceeds the following at date of manufacture:

- ASME A112.18.1/CSA B125.1
- IAMPO/cUPC
- IPC
- ADA & ICC/ANSI A117.1
- Energy Policy Act of 1992
- EPA WaterSense
- California Energy Commission
- ASME A112.18.3 (Back Flow)
- All applicable US Federal and State material regulations

## Specified Model

| Model  | Description                         | Colors   Finishes  |
|--------|-------------------------------------|--|
| 3-1007 | Roman Tub with Handshower Deck Trim | <input type="checkbox"/> 10B <input type="checkbox"/> 15 <input type="checkbox"/> 15S <input type="checkbox"/> 26 <input type="checkbox"/> Other |

## Required Accessory

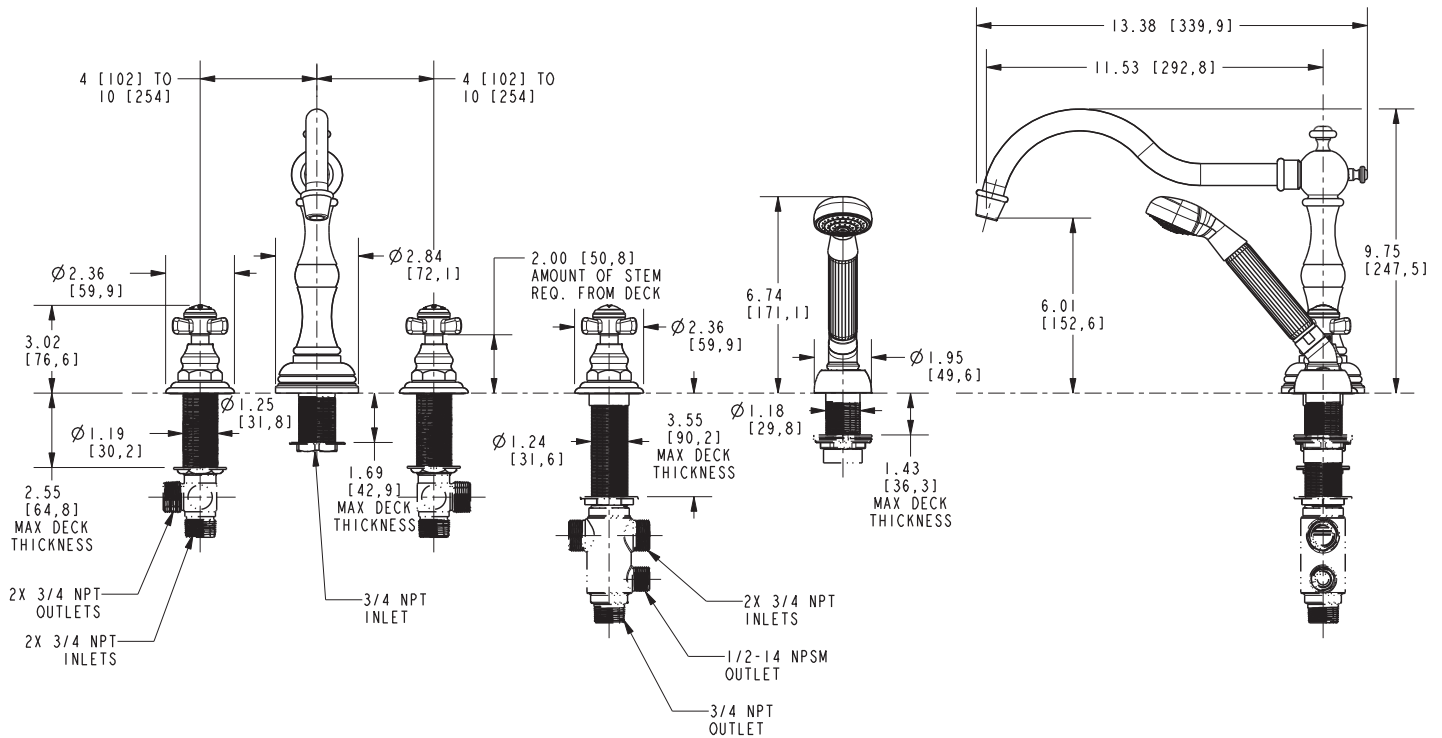
|                          |   |
|--------------------------|---|
| <b>System Element</b>    | Deck Tub Valve                                    |
| <b>Description</b>       | 3-Valve Assembly With Quick Connect Spout Adapter |
| <b>Inlet/Outlet Size</b> | 3/4"  |
| <b>Part Number</b>       | 1-503   |
| <b>Image</b>             |   |

## Product Specification Add "Color / Finish" suffix to Model number, below.

The Roman Tub with Handshower Deck Trim shall be made of solid brass construction. Roman Tub with Handshower Deck Trim shall incorporate lever handles. Product shall incorporate a 6.01" (15.3 cm) spout height at outlet and a 11.52" (29.3 cm) spout reach (c-c). Product shall feature a solid brass handshower with a 1.8 gallons (6.7 liters) per minute maximum flow rate. Rough valve kit shall incorporate brass valve bodies with quarter-turn washerless ceramic disc 3/4" valve cartridges, a quick-connect spout fitting and a diverter valve with hoses as needed for handshower. Roman Tub with Handshower Deck Trim shall be Newport Brass Model 3-1007/\_\_\_\_ and Newport Brass rough valve kit shall be 1-503.

# 3-1007

## PRODUCT DIMENSIONS *(Units are in inches)*



### Fairfield Roman Tub Deck Trim 3-1007