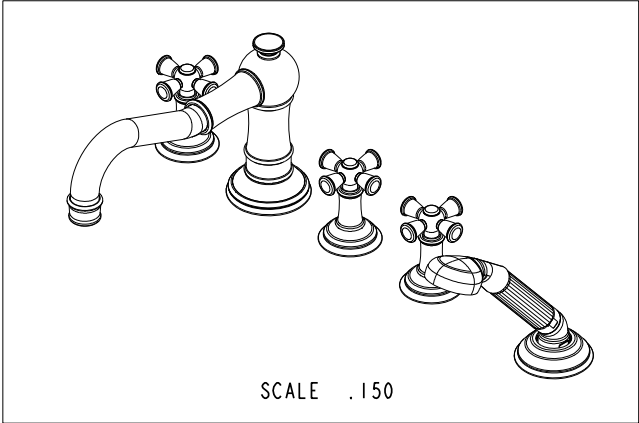


| BILL OF MATERIAL (CURRENT LEVEL) |         |                                     |          |      |
|----------------------------------|---------|-------------------------------------|----------|------|
| ITEM                             | PT/ASSY | DESCRIPTION                         | TYPE     | QTY. |
| 1                                | 3-386   | SPOUT ASM WITH ESCUTCHEON ROMAN TUB | ASSEMBLY | 1    |
| 2                                | 3-374   | CROSS HANDLE AND ESC. ASM           | ASSEMBLY | 3    |
| 3                                | 6-289-5 | DECK FLANGE TRIM                    | ASSEMBLY | 1    |
| 4                                | 280     | HAND SHOWER WITH GROOVE             | ASSEMBLY | 1    |
| 5                                | 284     | 59 IN. SPIRAL SHOWER HOSE           | ASSEMBLY | 1    |



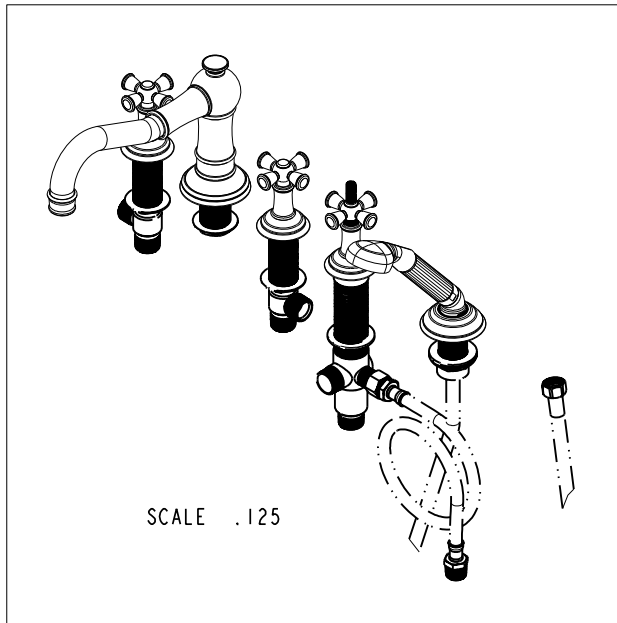
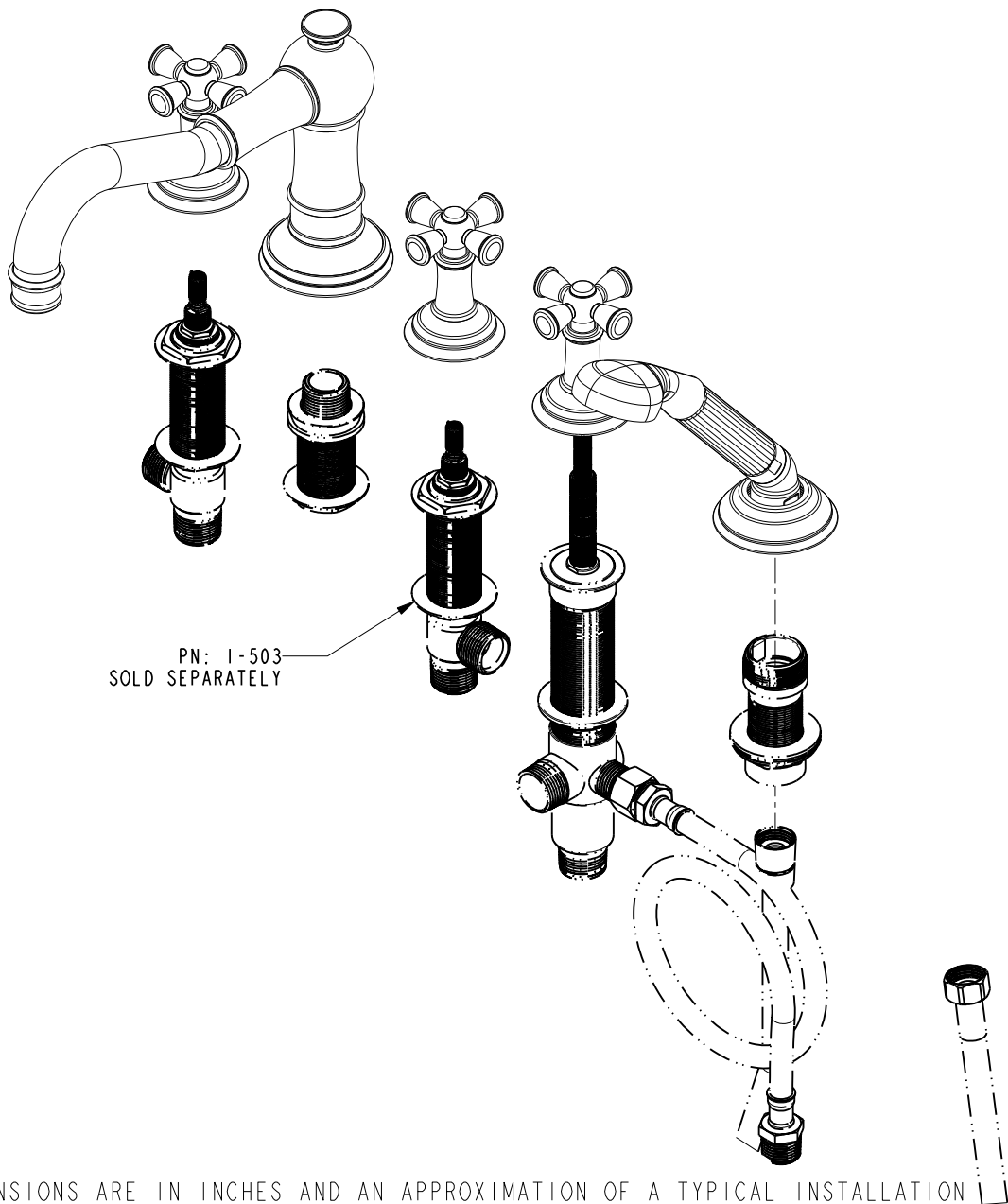
COPYRIGHT 2005 BRASSTECH, INC. THESE DRAWINGS AND THE DESIGNS DEPICTED HEREIN ARE THE PROPRIETARY PROPERTY OF BRASSTECH. ANY USE OR REPRODUCTION IS SUBJECT TO THE EXPRESS APPROVAL OF BRASSTECH. UNAUTHORIZED USE IS STRICTLY PROHIBITED. ALL RIGHTS RESERVED.

**BRASSTECH**  
INCORPORATED  
2001 E. CARNEGIE AVE.  
SANTA ANA, CA 92705  
(949) 417-5207

R/T DECK TRIM WITH HANDSHOWER

|                  |        |              |          |                  |
|------------------|--------|--------------|----------|------------------|
| ASSY. NO. 3-2467 |        | -            | -        | -                |
| SCALE .250       | REF. - | SHEET 1 OF 3 | REV      | EN-2032 01/07/14 |
|                  |        |              | REV DESC | DATE             |

**SPECIFICATION DWG**



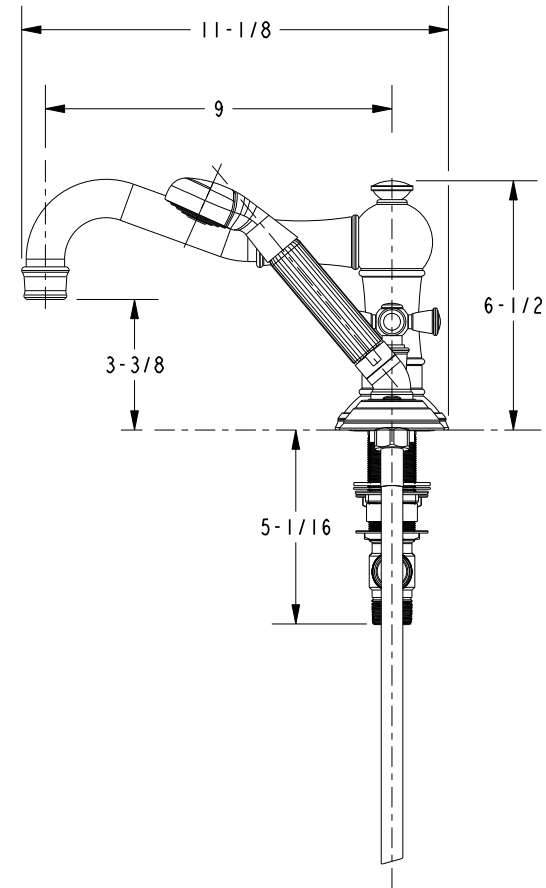
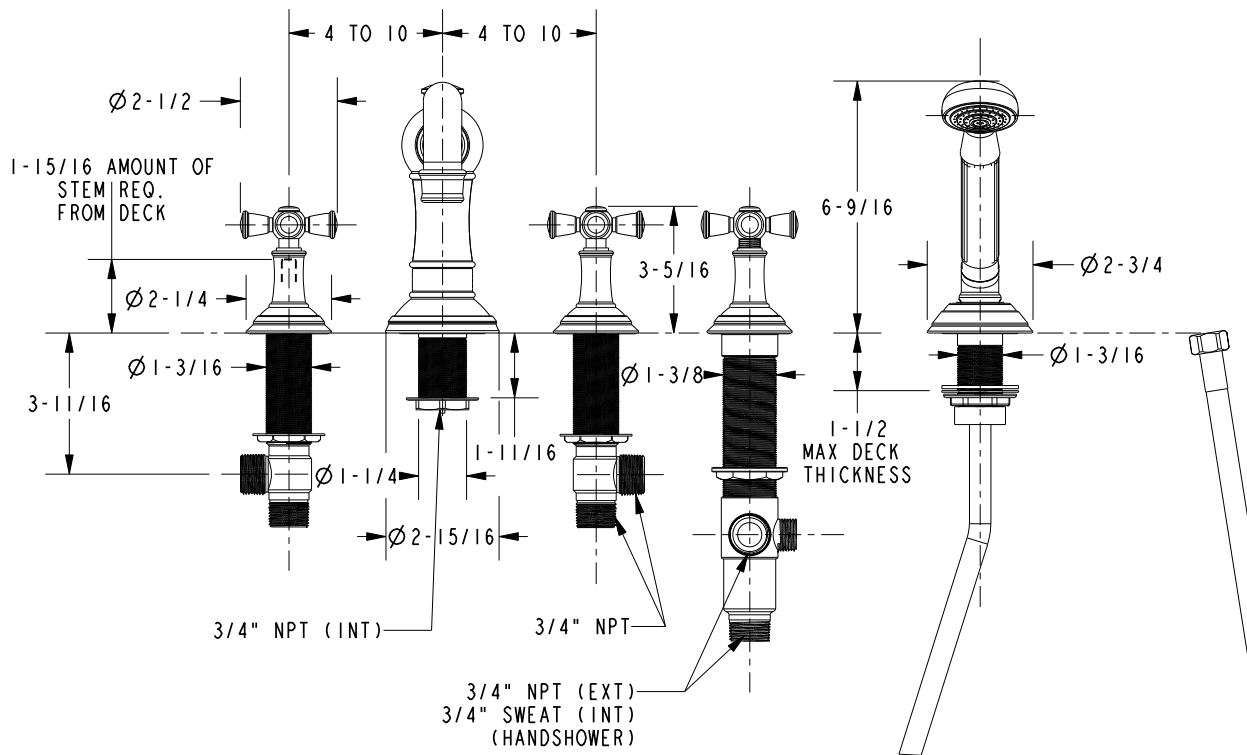
PN: 1-503  
SOLD SEPARATELY

DIMENSIONS ARE IN INCHES AND AN APPROXIMATION OF A TYPICAL INSTALLATION

COPYRIGHT 2005 BRASSTECH, INC. THESE DRAWINGS AND THE DESIGNS DEPICTED HEREIN ARE THE PROPRIETARY PROPERTY OF BRASSTECH. ANY USE OR REPRODUCTION IS SUBJECT TO THE EXPRESS APPROVAL OF BRASSTECH. UNAUTHORIZED USE IS STRICTLY PROHIBITED. ALL RIGHTS RESERVED.

|                  |        |   |        |
|------------------|--------|---|--------|
| <b>BRASSTECH</b> |        | 2001 CARNEGIE AVE.<br>SANTA ANA, CA 92705<br>(949) 417-5207 |        |
| DWG NO.          | 3-2467 | REV   | A      |
| SCALE            | .250   | REF.  | -      |
|                  |        | SHEET   | 2 OF 3 |

**SPECIFICATION DWG**



DIMENSIONS ARE IN INCHES AND AN APPROXIMATION OF A TYPICAL INSTALLATION

COPYRIGHT 2005 BRASSTECH, INC. THESE DRAWINGS AND THE DESIGNS DEPICTED HEREIN ARE THE PROPRIETARY PROPERTY OF BRASSTECH. ANY USE OR REPRODUCTION IS SUBJECT TO THE EXPRESS APPROVAL OF BRASSTECH. UNAUTHORIZED USE IS STRICTLY PROHIBITED. ALL RIGHTS RESERVED.

|                  |               |   |
|------------------|---------------|---|
| <b>BRASSTECH</b> |               | 2001 CARNEGIE AVE.<br>SANTA ANA, CA 92705<br>(949) 417-5207 |
| DWG NO.          | <b>3-2467</b> | REV<br><b>A</b>   |
| SCALE            | .200          | REF. -  |
|                  |               | SHEET 3 OF 3  |