

4

3

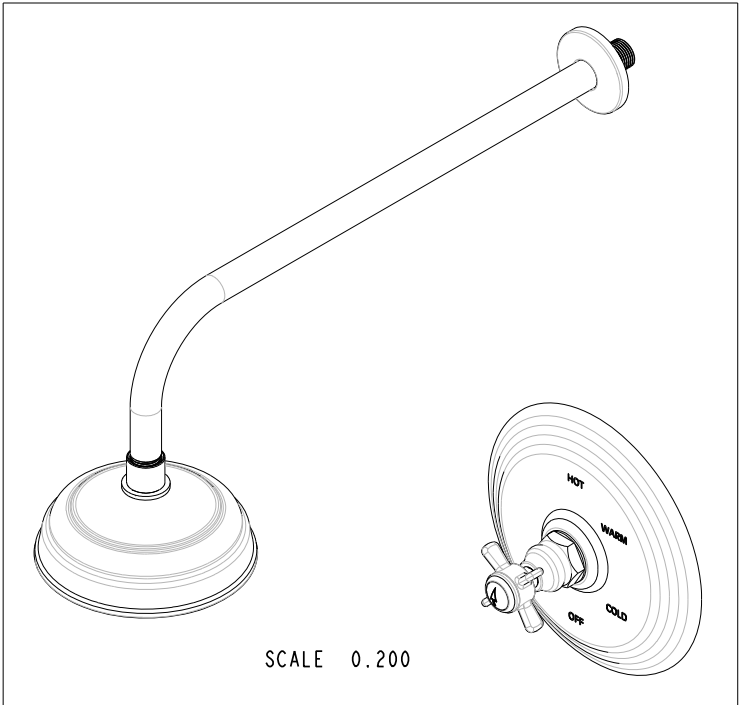
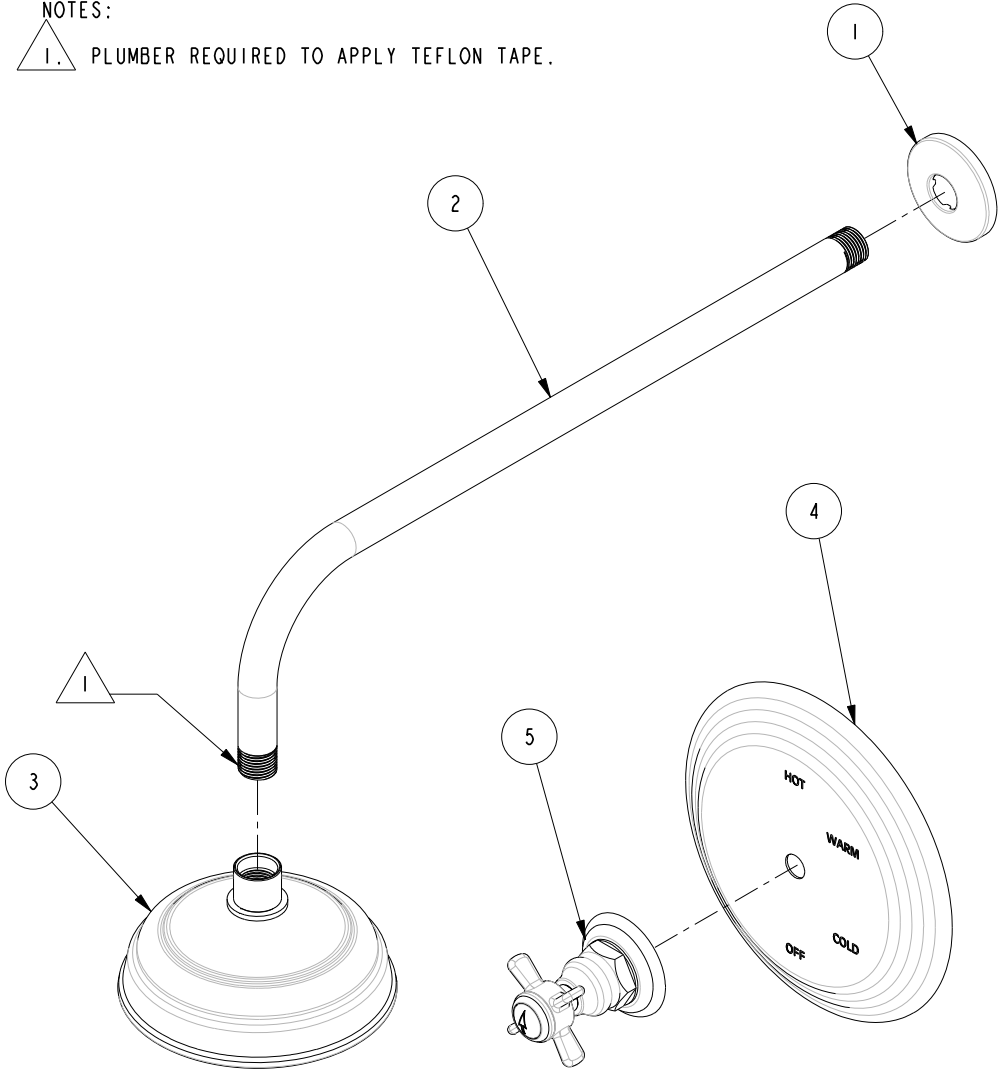
2

1

NOTES:

1. PLUMBER REQUIRED TO APPLY TEFLON TAPE.

BILL OF MATERIAL (CURRENT LEVEL)				
ITEM	PT/ASSY	DESCRIPTION	TYPE	QTY.
1	206	SHOWER ARM FLANGE	PART	1
2	2021	90" 1/8" SHWR ARM	PART	1
3	209	SHOWER HEAD 6" DIA.	ASSEMBLY	1
4	2-225	BP COVER PLATE FOR SHOWER	ASSEMBLY	1
5	3-230	HANDLE/ESC ASM - DIVERTER	ASSEMBLY	1



COPYRIGHT 2005 BRASSTECH, INC. THESE DRAWINGS AND THE DESIGNS DEPICTED HEREIN ARE THE PROPRIETARY PROPERTY OF BRASSTECH. ANY USE OR REPRODUCTION IS SUBJECT TO THE EXPRESS APPROVAL OF BRASSTECH. UNAUTHORIZED USE IS STRICTLY PROHIBITED. ALL RIGHTS RESERVED.

BRASSTECH
 INCORPORATED
 2001 E. CARNEGIE AVE.
 SANTA ANA, CA 92705
 (949) 417-5207

TRIM KIT

ASSY. NO.	3-1004BP	
SCALE 0.250	REF. -	SHEET 1 OF 1
REV	REV DESC	DATE
B	EN-1551	05/06/10
A	-	04/03/01
-	RELEASED	11/08/99

4

3

2

1