

4

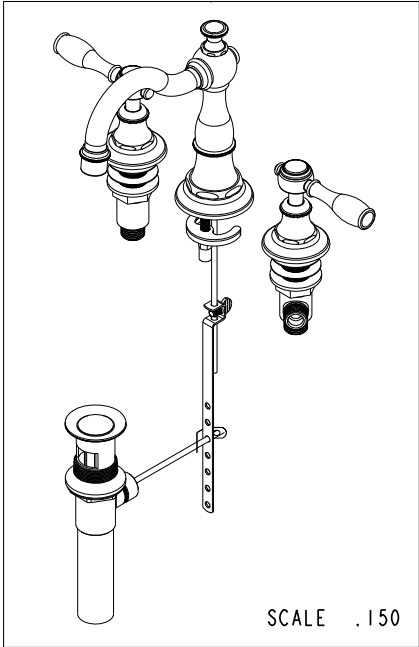
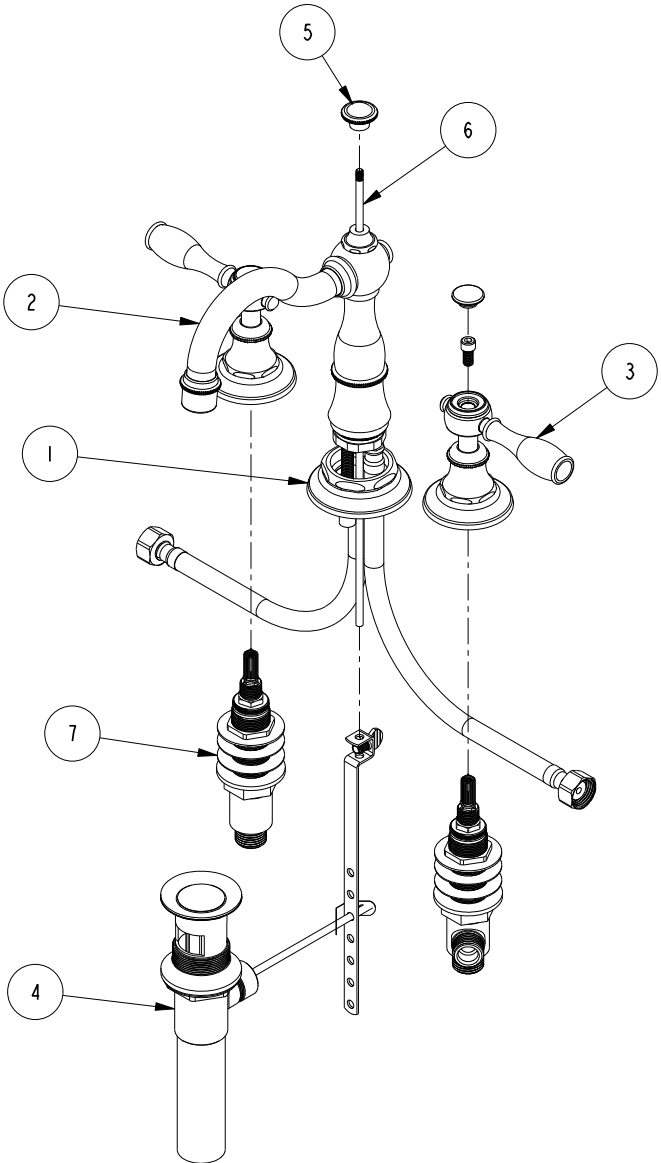
3

2

1

BILL OF MATERIAL (CURRENT LEVEL)

ITEM	PT/ASSY	DESCRIPTION	TYPE	QTY.
1	2-535	BASE RING, W/S SPOUT	ASSEMBLY	1
2	3-295	W/S SPOUT ASM	ASSEMBLY	1
3	3-323	LEVER HANDLE ASSEMBLY	ASSEMBLY	2
4	325	POP UP ASSEMBLY	ASSEMBLY	1
5	30225	POPOP KNOB	PART	1
6	30070	POP-UP ROD	PART	1
7	1-525	W/S VALVE INSTALLATION	ASSEMBLY	1



COPYRIGHT 2005 BRASSTECH, INC. THESE DRAWINGS AND THE DESIGNS DEPICTED HEREIN ARE THE PROPRIETARY PROPERTY OF BRASSTECH. ANY USE OR REPRODUCTION IS SUBJECT TO THE EXPRESS APPROVAL OF BRASSTECH. UNAUTHORIZED USE IS STRICTLY PROHIBITED. ALL RIGHTS RESERVED.

BRASSTECH
 INCORPORATED
 2001 E. CARNEGIE AVE.
 SANTA ANA, CA 92705
 (949) 417-5207

W/S SET W/ LEVER HANDLES

ASSY. NO. 1770

SCALE .200

REF. -

SHEET 1 OF 2

D	EN-2553	07/02/13
C	EN-1616	09/13/10
B	EO-0942	02/15/08
A	EO-0758	09/11/06
REV	REV DESC	DATE

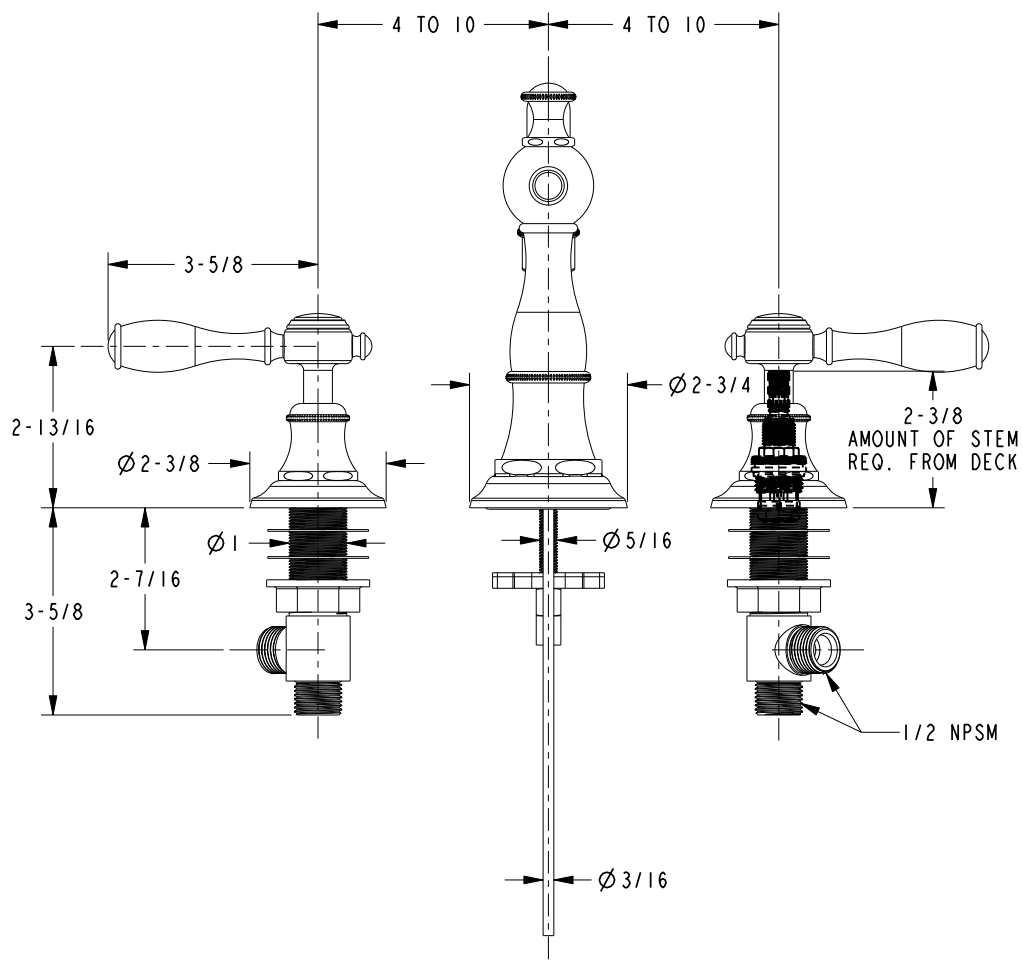
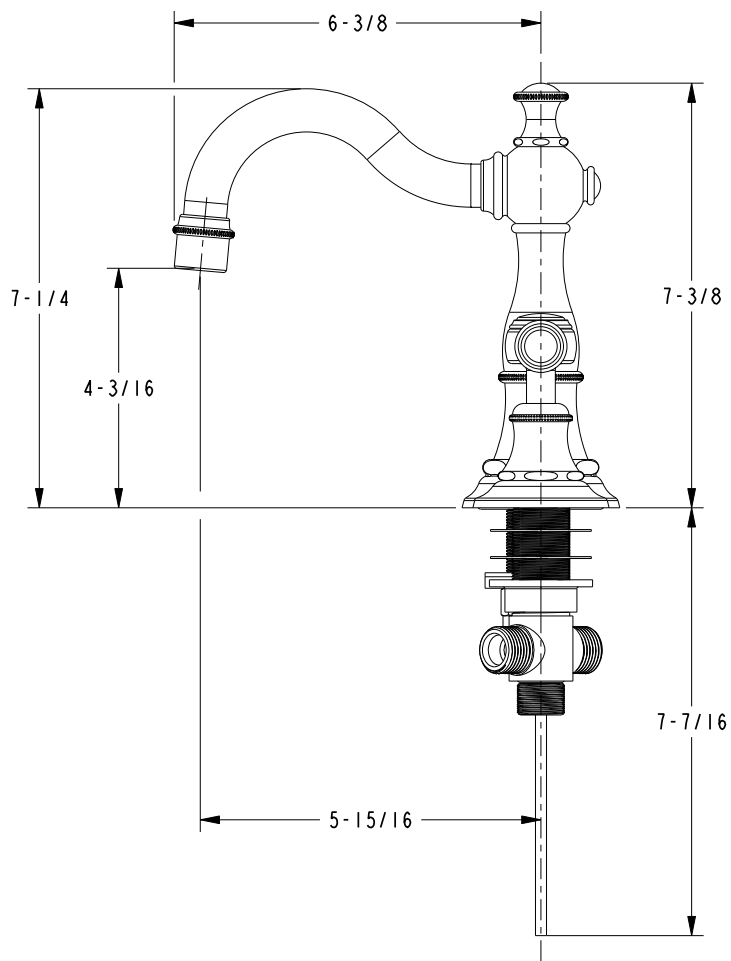
4

3

2

1

SPECIFICATION DWG



DIMENSIONS ARE IN INCHES AND AN APPROXIMATION OF A TYPICAL INSTALLATION

COPYRIGHT 2005 BRASSTECH, INC. THESE DRAWINGS AND THE DESIGNS DEPICTED HEREIN ARE THE PROPRIETARY PROPERTY OF BRASSTECH. ANY USE OR REPRODUCTION IS SUBJECT TO THE EXPRESS APPROVAL OF BRASSTECH. UNAUTHORIZED USE IS STRICTLY PROHIBITED. ALL RIGHTS RESERVED.

BRASSTECH		2001 CARNEGIE AVE. SANTA ANA, CA 92705 (949) 417-5207
INCORPORATED		
DWG NO.	1770	REV D
SCALE	.300	REF. -
		SHEET 2 OF 2