



# K-300-K

1/2" ceramic high-flow valve system

## Features

- High-flow valve ensures optimal water flow performance
- Quarter-turn ceramic disc valves exceed industry longevity standards, ensuring durable performance for life
- 15.0 to 17.0 gpm (gallons per minute) flow rate
- For use with bath- or deck-mount faucets
- Requires valve trim (sold separately)



## Available Colors/Finishes

*Color tiles intended for reference only.*

<sup>NA</sup> NA Not Applicable



1-800-4KOHLER (1-800-456-4537)  
Kohler Co. reserves the right to make revisions without notice to product specifications.  
For the most current specification sheet, go to [www.kohler.com](http://www.kohler.com) USA or [www.kohler.ca](http://www.kohler.ca) Canada.  
4-15-2026 1:5 - US-CA

THE BOLD LOOK  
OF **KOHLER**

## Codes/Standards

ASME A112.18.1/CSA B125.1

---

## Valves

Included Valve: Transfer

---

## Material

- Brass valve bodies
- 

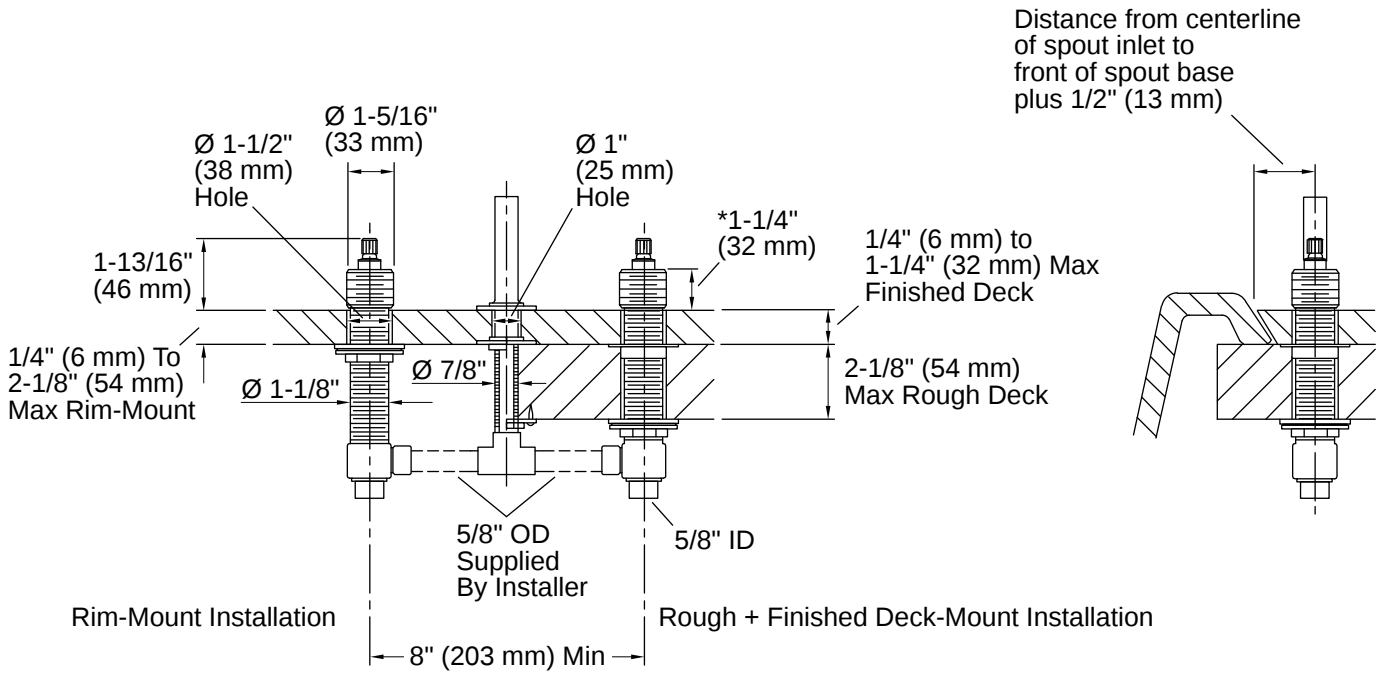
## Warranty

*See website for detailed warranty information.*

KOHLER® Faucet Lifetime Limited Warranty



\*Dimension allows ±1/4" (6 mm) handle adjustment during handle trim installation.



### Installation Notes

Install this product according to the installation instructions.

