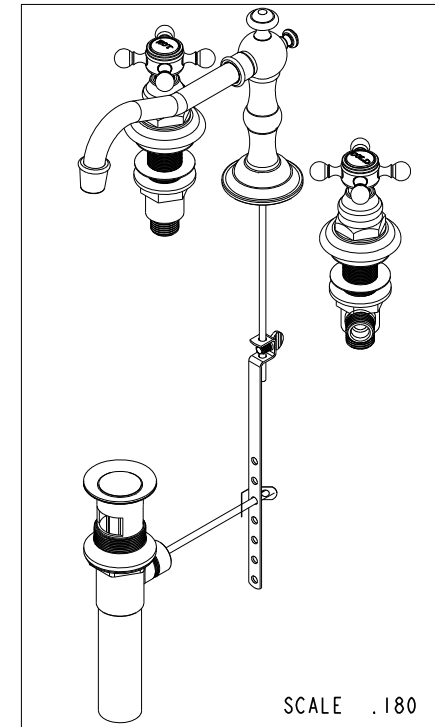


BILL OF MATERIAL (CURRENT LEVEL)

ITEM	PT/ASSY	DESCRIPTION	TYPE	QTY.
1	10288	3/16" POP UP ROD	PART	1
2	10048	ESCUTCHEON W/S VALVE	PART	2
3	2-142	HANDLE ONLY, COLD	ASSEMBLY	1
4	2-141	HANDLE ONLY, HOT	ASSEMBLY	1
5	10523	HEX ESCUTCHEON BONNET	PART	2
6	91231	O-RING, #2-136, EPDM, 65-75 DURO	PART	2
7	325	POP UP ASSEMBLY	ASSEMBLY	1
8	10289	POP-UP KNOB	PART	1
9	1-525	W/S VALVE INSTALLATION	ASSEMBLY	1
10	3-360	WIDE SPREAD SPOUT ONLY	ASSEMBLY	1



COPYRIGHT 2005 BRASSTECH, INC. THESE DRAWINGS AND THE DESIGNS DEPICTED HEREIN ARE THE PROPRIETARY PROPERTY OF BRASSTECH. ANY USE OR REPRODUCTION IS SUBJECT TO THE EXPRESS APPROVAL OF BRASSTECH. UNAUTHORIZED USE IS STRICTLY PROHIBITED. ALL RIGHTS RESERVED.

BRASSTECH
INCORPORATED

2001 E. CARNEGIE AVE.
SANTA ANA, CA 92705
(949) 417-5207

WIDESPREAD FAUCET

ASSY. NO.
930

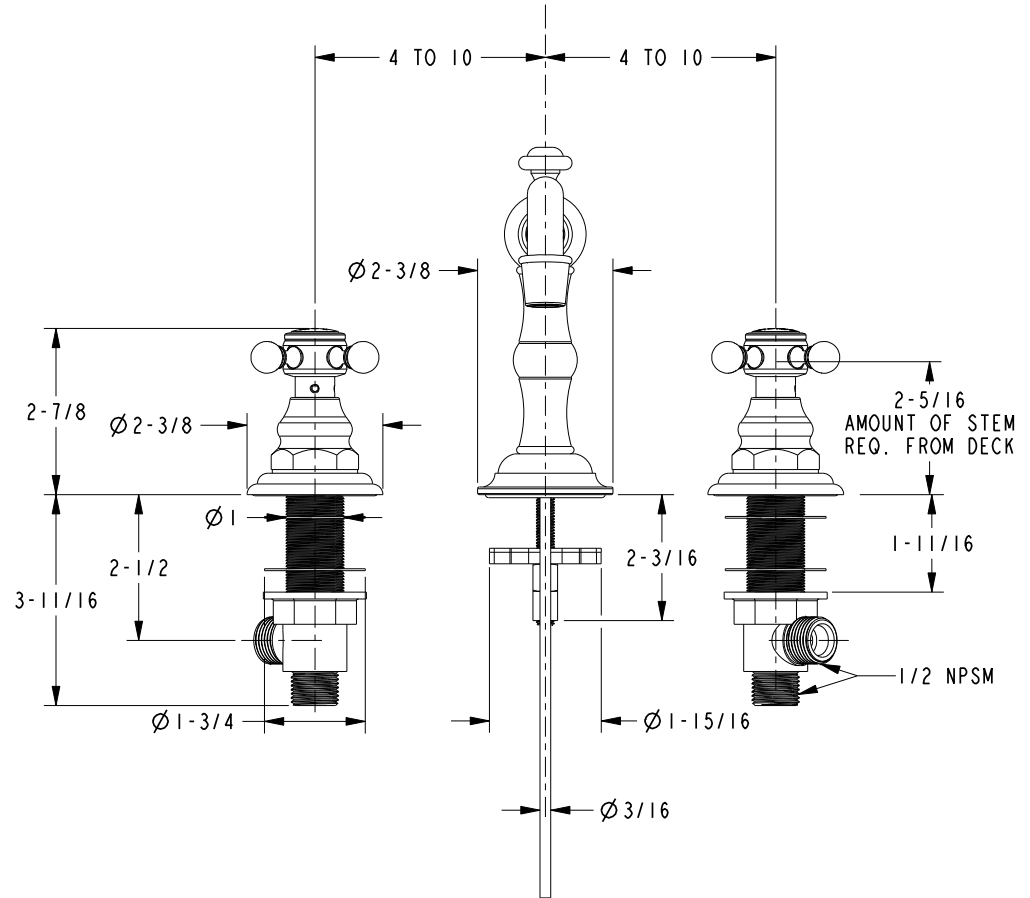
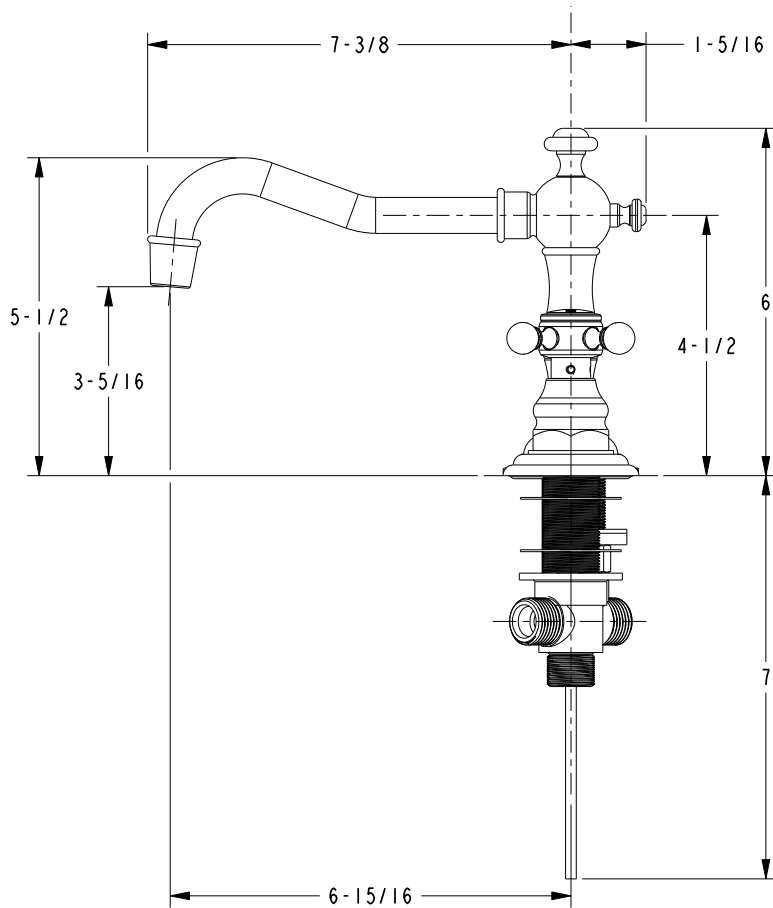
SCALE .230

REF. -

SHEET 1 OF 2

E	EN-2334	12/18/12
D	EN-1616	09/13/10
C	EO-1051	07/28/08
B	EO-0634	01/06/06
REV	REV DESC	DATE

SPECIFICATION DWG



DIMENSIONS ARE IN INCHES AND AN APPROXIMATION OF A TYPICAL INSTALLATION

COPYRIGHT 2005 BRASSTECH, INC. THESE DRAWINGS AND THE DESIGNS DEPICTED HEREIN ARE THE PROPRIETARY PROPERTY OF BRASSTECH. ANY USE OR REPRODUCTION IS SUBJECT TO THE EXPRESS APPROVAL OF BRASSTECH. UNAUTHORIZED USE IS STRICTLY PROHIBITED. ALL RIGHTS RESERVED.

BRASSTECH 2001 CARNEGIE AVE.
INCORPORATED SANTA ANA, CA 92705
(949) 417-5207

DWG NO.	930	REV	E
SCALE	.300	REF.	-
SHEET		2	OF 2