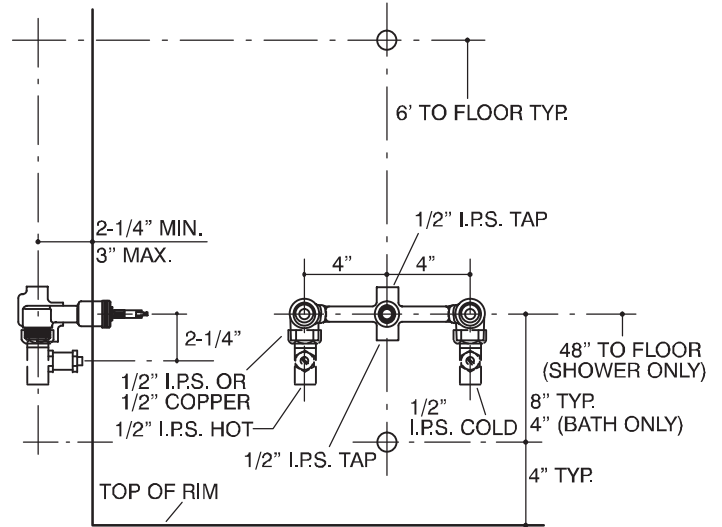


57958 and 57816



57960 and 57817

Roughing-In Diagram

All information in these instructions is based on the latest product information available at the time of publication. Kohler Co. reserves the right to make changes in product characteristics, packaging, or availability at any time without notice.

57958	2-Valve Bath and Shower Fitting
57816	2-Valve Bath and Shower Fitting with Stops
57960	3-Valve Bath and Shower Fitting
57817	3-Valve Bath and Shower Fitting with Stops

TOOLS AND MATERIALS REQUIRED:

- Adjustable or open end wrenches
- Tubing cutter
- Assorted screwdrivers
- Pliers
- Adjustable arc pliers
- Hex head wrenches
- Strap wrench
- Plumbers putty
- Thread sealant
- Shower and/or bath ell
- Torque wrench, 0-50 ft. lbs.

OPTIONAL TOOLS AND MATERIALS:

- 1/2" piping
- Propanetorch
- Solder/flux

BEFORE YOU BEGIN:

- Observe all local plumbing and building codes.
- Shut off hot and cold water supplies to shower/bath faucet.
- Do not remove plastic thread protectors until instructed.

NOTE: For lever handles, a one-quarter turn counterclockwise closes the cold valve; and, a one-quarter turn clockwise closes the hot valve.

NOTE: Check spout, shower trim and handle kit installation instructions for rough-in considerations.

BATH AND SHOWER INSTALLATION:

1. Typical dimensions for bath and shower installation are shown on the Roughing-In Diagram.
2. See Fig. #1. The yoke and piping configuration shown is for the bath and shower version. Refer to spout and showerhead installation instructions for specific requirements.

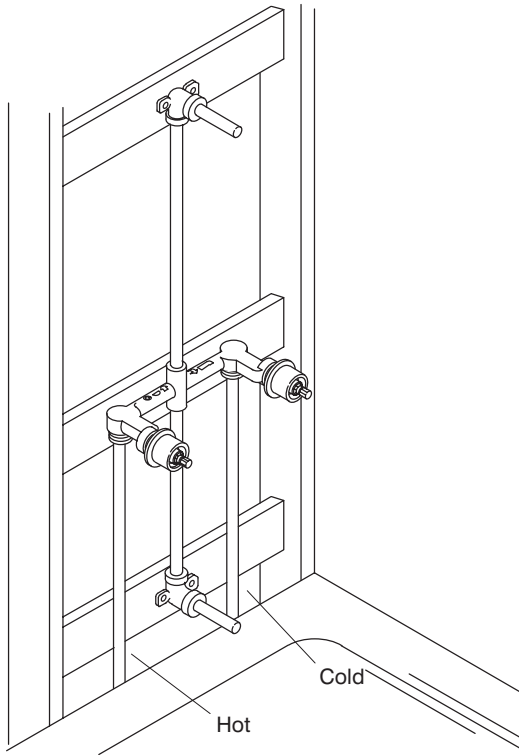


Fig. #1

3. See Fig. #2. Refer to handle installation instructions for possible roughing-in depth requirements. Unless otherwise instructed, rough-in supply yoke 2-1/4" minimum to 3" maximum from centerline of yoke to outside of finished wall. Install 1/2" hot and cold supply tubing. Install screwdriver stop valves, if specified.

NOTE: 3-valve yoke has no embossed graphics for showerhead and spout locations.

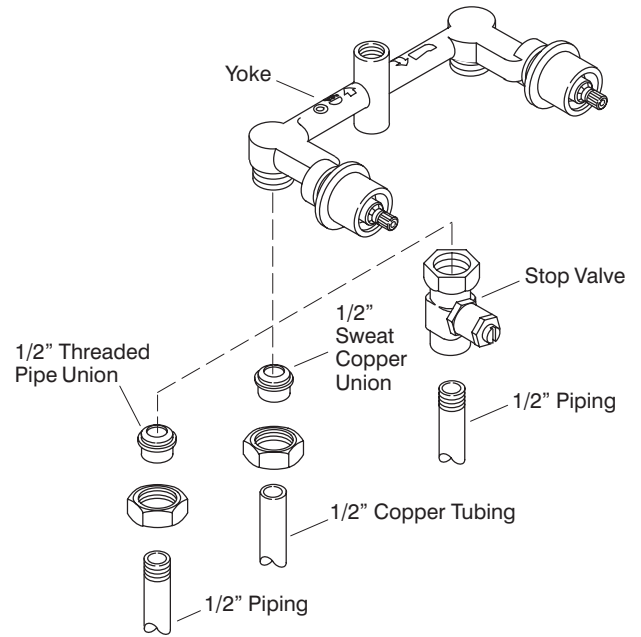


Fig. #2

4. Your faucet fitting is factory assembled for hot and cold water supplies from the floor.
5. See Fig. #3. If you are installing the unit for ceiling supplies, turn the yoke over so that supplies connect from the top of yoke. Remove aspirator with a 3/8" hex wrench and reinstall at top of yoke. Do not overtighten aspirator.

NOTE: Do not use 3-valve yoke with ceiling supplies.

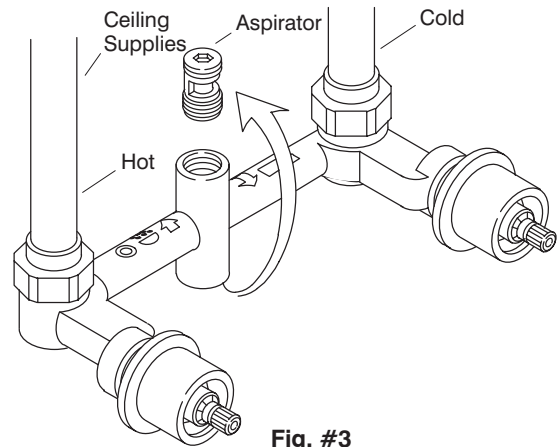


Fig. #3

6. Reversing the yoke for ceiling supplies will reverse the direction in which lever handles close. For proper lever handle operation, reverse the ceramic valve units. Before removing valve, make

sure that valve is in the open position. Be careful not to damage the ceramic valve units. The valve seat and O-ring gasket must be free of dirt and damage. Torque ceramic valves to 23-30 ft. lbs. (17-22 Nm).

7. See Fig. #4. Install copper tubing and adapters between yoke and shower ell and between yoke and bath ell. Secure tubing to framing. Install temporary 1/2" nipples into shower and bath ells.

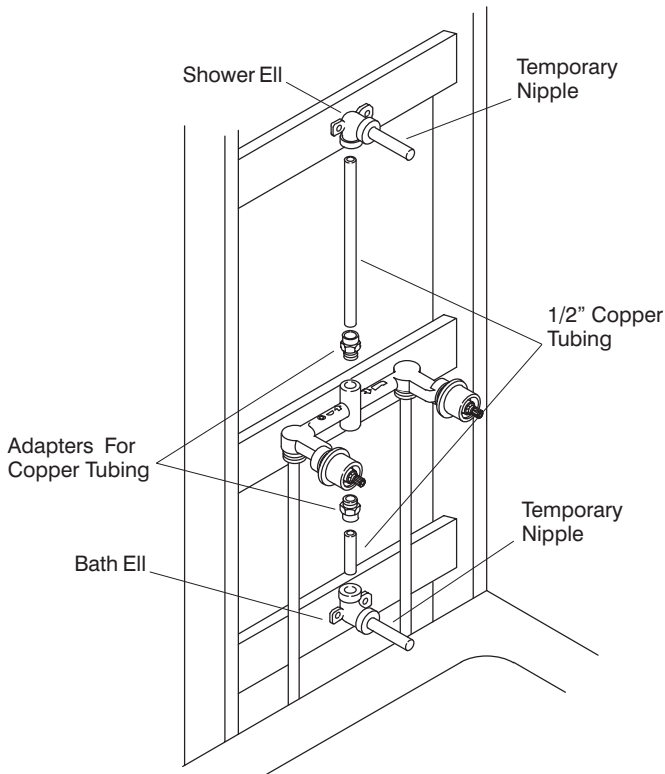


Fig. #4

SHOWER-ONLY INSTALLATION: (2-VALVE YOKE ONLY)

1. Typical dimensions for shower-only installation are shown on the Roughing-In Diagram.
2. See Fig. #5. The yoke and piping configuration shown is for the shower-only version. The procedure for shower-only installation is the same as for bath and shower installation except install a plug in yoke in place of spout piping.
3. Using a 3/8" hex wrench, remove aspirator from yoke and discard.

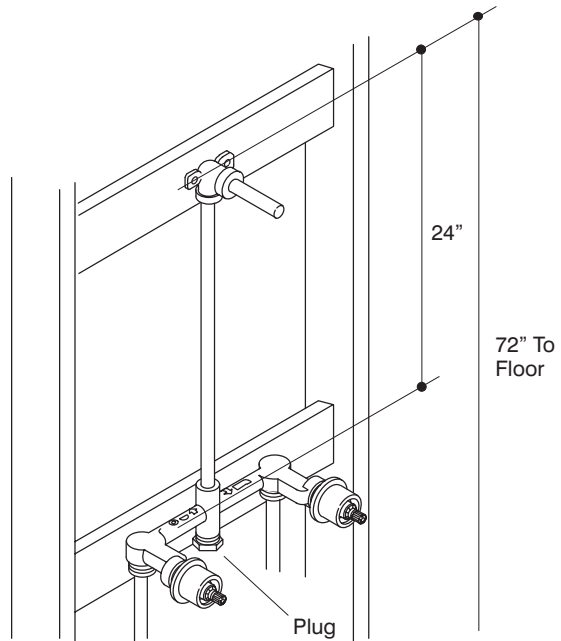


Fig. #5

BATH-ONLY INSTALLATION: (2-VALVE YOKE ONLY)

1. Typical dimensions for bath-only installation are shown on the Roughing-In Diagram.
2. See Fig. #6. The yoke and piping configuration shown is for the bath-only version. The procedure for bath-only installation is the same as for bath and shower installation except install a plug in yoke in place of spout piping.
3. Using a 3/8" hex wrench, remove aspirator from yoke and discard.

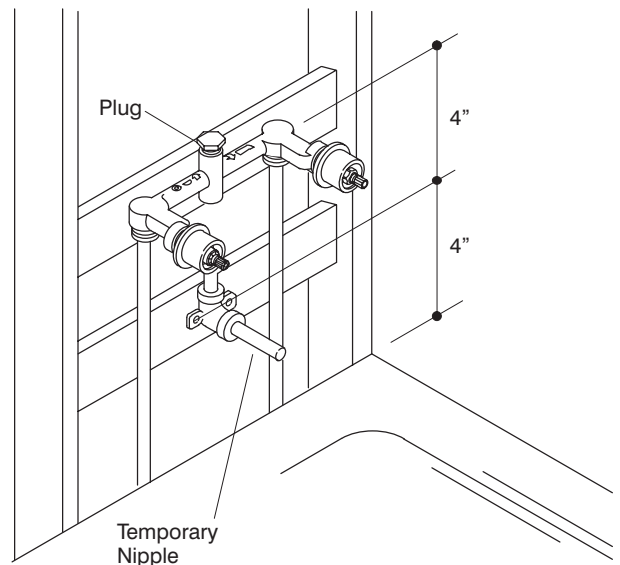


Fig. #6

