

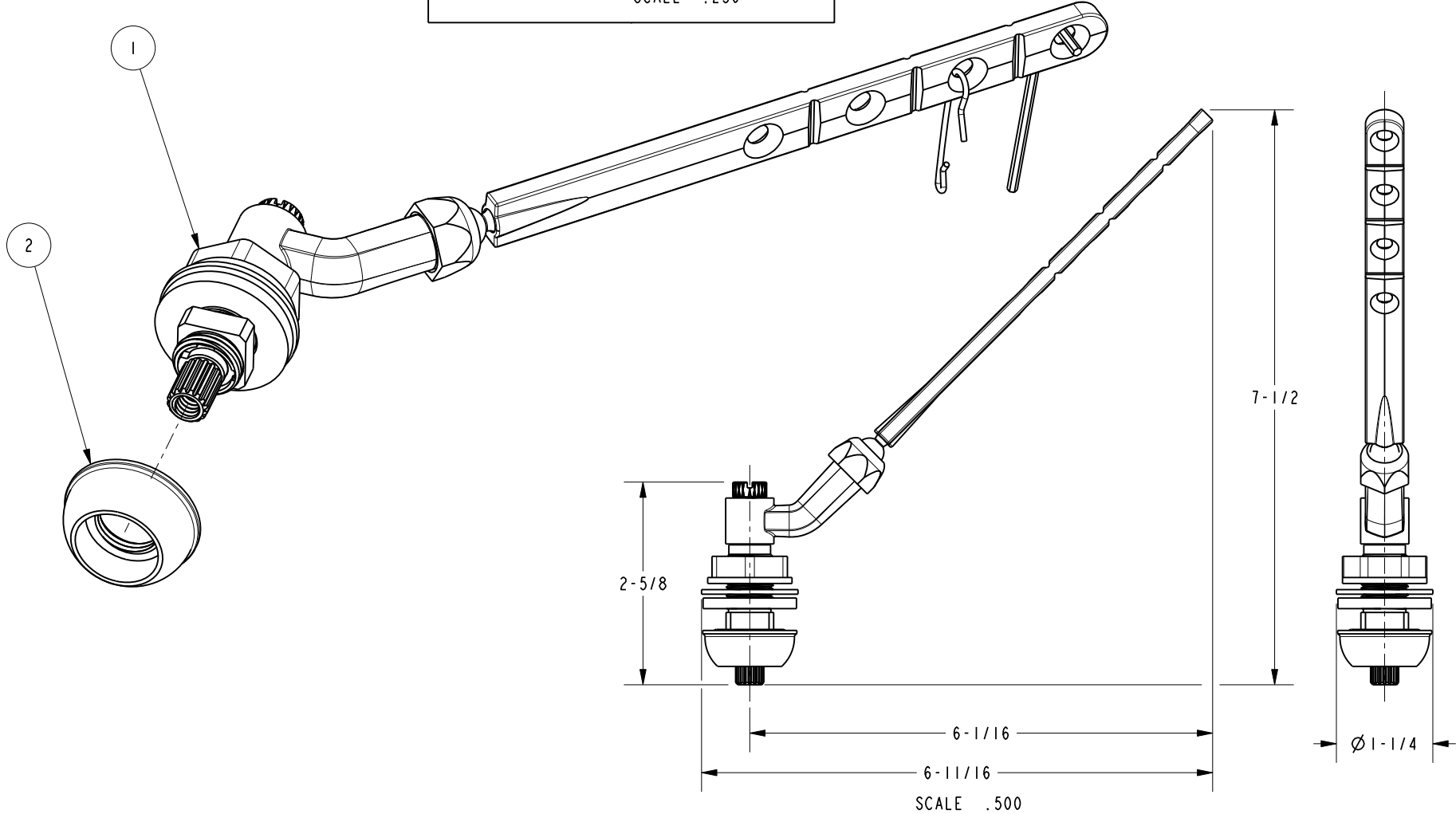
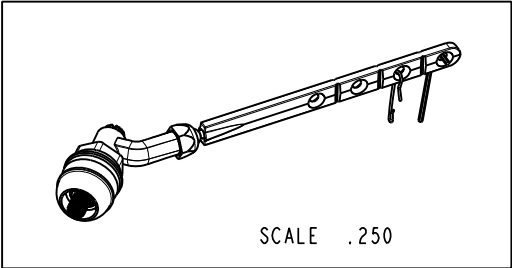
4

3

2

BILL OF MATERIAL (CURRENT LEVEL)

ITEM	PT/ASSY	DESCRIPTION	TYPE	QTY.
1	5-043	UNIV TANK LEVER ASM	ASSEMBLY	1
2	6-039	ESCUTHEON/O-RING ASSY	ASSEMBLY	1



COPYRIGHT 2005 BRASSTECH, INC. THESE DRAWINGS AND THE DESIGNS DEPICTED HEREIN ARE THE PROPRIETARY PROPERTY OF BRASSTECH. ANY USE OR REPRODUCTION IS SUBJECT TO THE EXPRESS APPROVAL OF BRASSTECH. UNAUTHORIZED USE IS STRICTLY PROHIBITED. ALL RIGHTS RESERVED.

BRASSTECH
 INCORPORATED
 2001 E. CARNEGIE AVE.
 SANTA ANA, CA 92705
 (949) 417-5207

UNIV TANK LEVER ASM

ASSY. NO.	6-505		
SCALE .750	REF. -	SHEET 1 OF 1	REV
			REV DESC
			DATE

4

3

2

1