

125# FLANGED 200 WOG IBBM GATE VALVE

Features:

- 200•PSI•WOG•Non-Shock•(-20°F•to•150°F)
- 125•PSI•WSP•(Saturated•Steam•to•353°F)
- Flat•Faced•Flanges
- Rising•Stem•OS&Y
- Tapered•Solid•Wedge
- Body•Guide•Ribs
- Back•Seat•Stop

Standards:

- Class•125•Flanges:•ANSI•B16.1
- Pressure/Temperature•Rating:•ANSI•B16.1
- Face•to•Face•Dimensions:•ANSI•B16.10
- Design•&•Testing:•MSS•SP-70

Options & Accessories:

FNW offers many options, accessories and modifications for their iron body valves which include, but are not limited to: By-Passes, Packing Options, Stem Extensions, Floor Stands, Switches, and Actuation such as Pneumatic Cylinders or Electric Operators, Gear Operators, and Chain wheels.



Pressure/Temperature*

Temp (°F)	Pressure (PSI)
-20 to 150	200
200	190
225	180
250	175
275	170
300	165
325	155
350	150
375	145
400	140
425	130
*****450	125

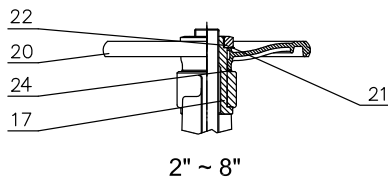
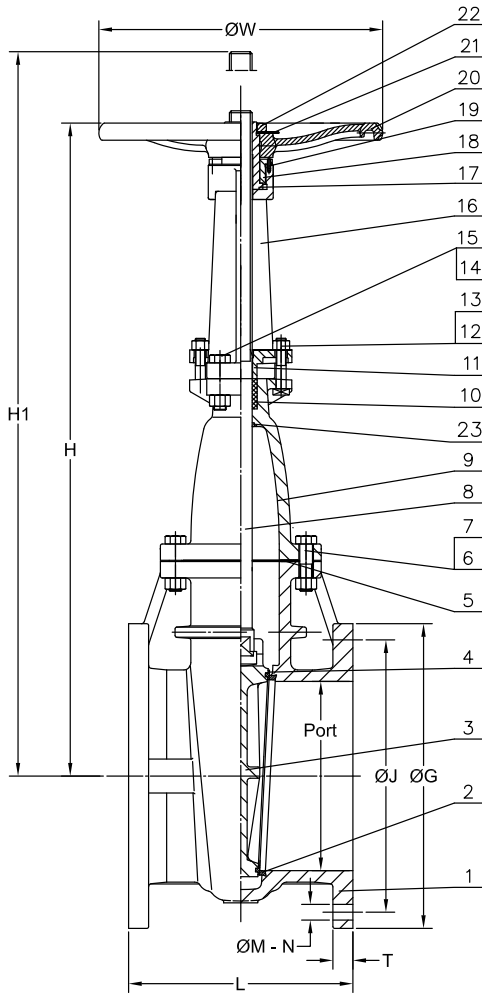
* P/T listed is for 2 to 12 inch, 200 WOG ASTM A126 Class B gray iron valves. ** Temperatures shown are that of the pressure containing parts of the valve and are assumed to be equal to the contained fluid's temperature. • Use of a pressure rating at a pressure containing temperature other than the contained fluid's is at the responsibility of the end-user.

** Maximum temperature for bronze trim.

Figure Number Matrix

FNW 651A Size		
SIZE CODE		
• 2=K	• 4=P	• 8=X
• 2-1/2=L	• 5=S	• 10=10
• 3=M	• 6=U	• 12=12

125# FLANGED 200 WOG IBBM GATE VALVE



Standard Materials

Ref. No.	Description	Material	Qty	Remarks
1	Body	Cast Iron, ASTM A126 B	1	
2	Seat	Bronze, ASTM B62	2	
3	Wedge	Cast Iron, ASTM A126 B	1	
4	Wedge Ring	Bronze, ASTM B62	2	
5	Body Gasket	Graphite & Steel Plate	1	
6	Bonnet Bolt	Carbon Steel, ASTM A307B	1 Set	
7	Bonnet Nut	Carbon Steel, ASTM A563	1 Set	
8	Stem	Brass, ASTM B16	1	
9	Bonnet	Cast Iron, ASTM A126 B	1	
10	Packing	Graphite	5	6 on 10" & 12"
11	Gland Flange	Ductile Iron, ASTM A536 65-45-12	1	
12	Gland Bolt	Carbon Steel, ASTM A307B	2	
13	Gland Nut	Carbon Steel, ASTM A563	2	
14	Yoke Bolt	Carbon Steel, ASTM A307B	4	10" & 12" only
15	Yoke Nut	Carbon Steel, ASTM A563	4	10" & 12" only
16	Yoke	Cast Iron, ASTM A126 B	1	10" & 12" only
17	Stem Nut	Brass	1	
18	Yoke Nut Bushing	Cast Iron, ASTM A126 B	1	10" & 12" only
19	Screw	Carbon Steel, ASTM A307B	1	10" & 12" only
20	Handwheel	Cast Iron, ASTM A126 B	1	
21	I.D. Plate	Aluminum	1	
22	Handwheel Nut	Ductile Iron, ASTM A536 65-45-12	1	
23	Backseat	Brass, ASTM B16	1	
24	Handwheel Washer	Brass	1	2" - 8" only

Dimensions (inches)

Size	Port	ØJ	ØG	T	N	ØM	L	ØW	H (closed)	H1 (open)
2	1.97	4.74	5.98	0.63	4	0.75	7.00	7.09	10.94	13.46
2-1/2	2.50	5.50	7.01	0.69	4	0.75	7.50	7.09	12.24	15.39
3	2.99	6.00	7.52	0.75	4	0.75	8.00	7.09	13.39	17.01
4	3.94	7.50	9.02	0.94	8	0.75	9.00	7.87	15.47	20.12
5	4.92	8.50	10.00	0.94	8	0.87	10.00	9.84	17.87	23.62
6	5.91	9.50	10.98	1.00	8	0.87	10.50	11.02	19.76	26.42
8	7.87	11.75	13.50	1.12	8	0.87	11.50	11.81	23.31	32.01
10	9.84	14.25	15.98	1.19	12	0.98	13.00	14.17	35.24	46.14
12	11.81	17.00	19.02	1.25	12	0.98	14.00	15.75	41.54	54.49

Cv & Weight

Size	2	2-1/2	3	4	5	6	8	10	12
Cv	215	335	510	945	1525	2250	4150	6700	9925
Wt. (Lbs)	35	44	53	84	115	150	231	386	547

DOC: FNW651A10 Ver. 8/2012

© 2012 - FNW. All rights reserved.

The FNW logo is a trademark of Ferguson Enterprises, Inc., PL Sourcing, PO Box 2778, Newport News, VA 23609

The contents of this publication are presented for information purposes only, and while effort has been made to ensure their accuracy, they are not to be construed as warranties or guarantees, expressed or implied, regarding the products or services described herein or their use or applicability. All sales are governed by our terms and conditions, which are available on request. We reserve the right to modify or improve the designs or specifications of our products at any time without notice. Always verify that you have the most recent product specifications or other documentation prior to the installation of these products.