



Boiler Drains

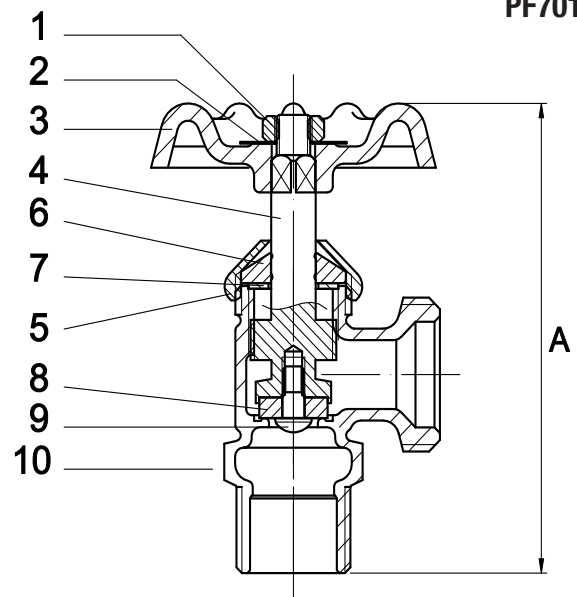
Product Features

- Brass body
- 125 psi
- Operating temperature: 40-160°F
- 3/4" Male hose thread outlet



PF7013DC

No.	Part Name	Material	QTY
1	Wheel Nut	V8	1
2	Name Plate	1050H18	1
3	Hand Wheel	FC20	1
4	Stem	B584-C857	1
5	Packing Nut	B16-C36000	1
6	Packing	NBR	1
7	Ring	304	1
8	Seat Packing	NBR	1
9	Packing Screw	C2600W	1
10	Body	B584-C857	1



SKU	DESCRIPTION	INLET CONNECTION	OUTLET CONNECTION	A (OPEN)		A (CLOSED)	
				in	mm	in	mm
PF7013DC	1/2 BRS NIP ECON BLR DRN	1/2 MIP NPT THREADED END	3/4 MALE NH THREADED END	3.433	87.2	3.22	81.8
PF7013FC	3/4 BRS NIP ECON BLR DRN	3/4 MIP NPT THREADED END	3/4 MALE NH THREADED END	3.512	89.2	3.299	83.8

Warranty and Codes

This PROFLO product carries a 1-year limited warranty.

WARNING: This product contains lead or lead compounds known to the State of California to cause cancer and birth defects and other reproductive harm. **Do not use in connection with drinking water. Wash hands after handling.**

