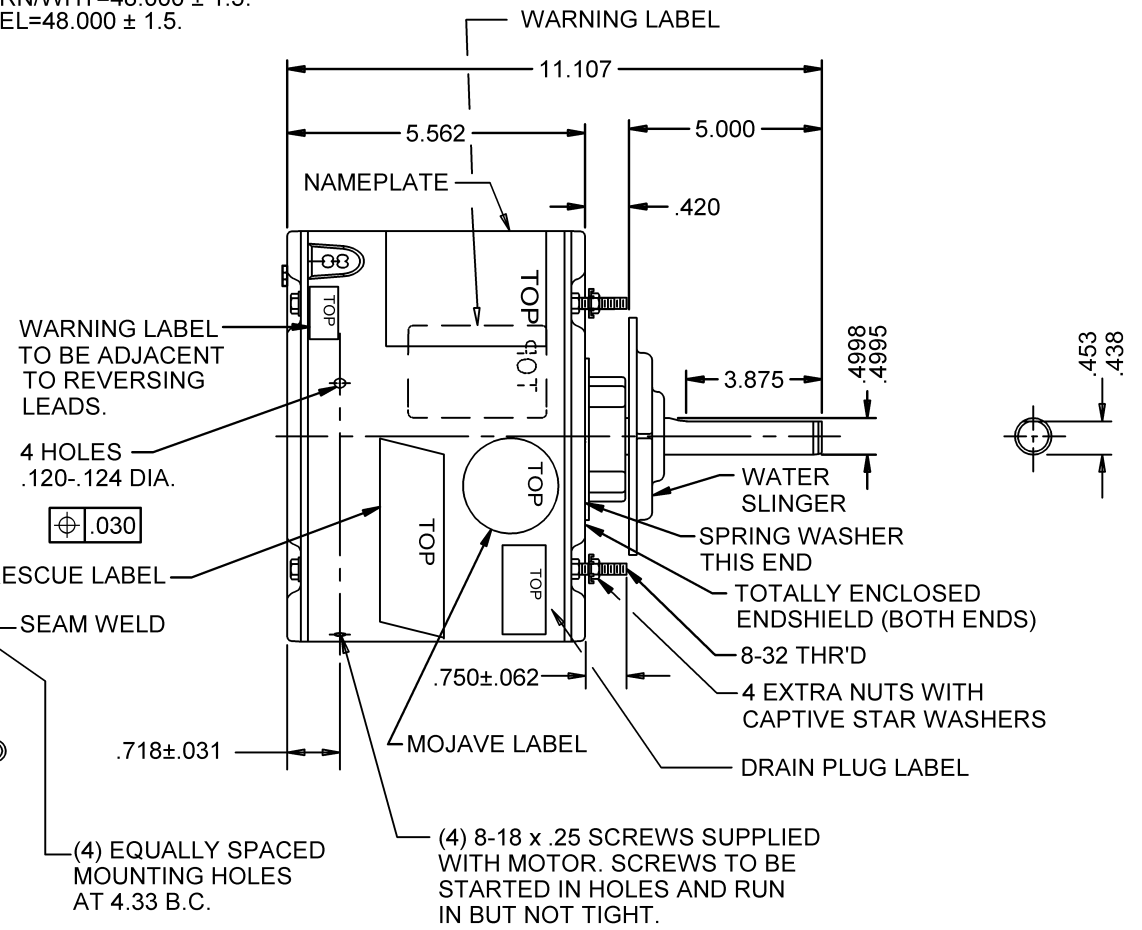


6 LEADS, #18, .031 THICK INSUL. TO EXTEND BEYOND MOTOR:
 BRN=48.000 ± 1.5, BLK=48.000 ± 1.5,
 RED=48.000 ± 1.5, WHT=48.000 ± 1.5,
 BRN/WHT=48.000 ± 1.5,
 YEL=48.000 ± 1.5.

NOTE: INSTRUCTION FORM &
 (4) SCREWS INCLUDED IN CARTON



NIDEC MOTOR CORPORATION 14-Jun-13

MODEL	REF	CUSTOMER	HP	VOLTS	AMPS	HZ	RPM	ROTATION	CUSTOMER PN
K55ZZWKT-1115	A28510	WHOLESALE - HAC	1/2-1/6	460	1.3	60	1075/2SPD	CCW LEAD END REV	5480H

SHEET NUMBER	REV	REVISION RECORD FOR:
1 OF 1	G	C7781-10
DELETED BOTH ENDS OF NOTE.		
REVISION DATE		
14-JUN-13		

INFORMATION DISCLOSED ON THIS DOCUMENT IS CONSIDERED PROPRIETARY AND SHALL NOT BE REPRODUCED OR DISCLOSED WITHOUT WRITTEN CONSENT OF NIDEC MOTOR CORPORATION

NIDEC MOTOR CORPORATION

ISSUED BY	REVIEWED BY	ENGINEER APPROVED	TITLE	CODE	ITEM NO.	SIZE
E. VICENCIO	N. CALVIN	B. GAITAN	ASSEMBLED VIEW	V01	777805	A