

PRODUCT DESCRIPTION

- Brass construction w/chrome plated finish
- 3/4" IPS supply
- 3/4" top spud

OPERATION

- Adjustable sensor eye
- Battery powered (4) standard AA (included)
- Average battery life 250,000 cycles
- Self-diagnostic electronics
- Piston flushing mechanism
- Self cleaning filter system
- Low battery indicator light

FLOW

- Operating pressures 10 to 125 psi
- 0.125 gpf (gallons per flush)
- 24 hour sentinel flush
- Mechanical manual override button

VALVES

- 3/4" IPS angle stop (vandal resistant)
- Adjustable installation (left or right connection)

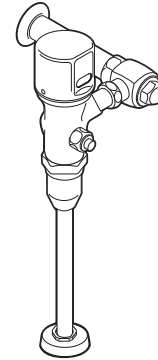
STANDARDS

- Third party certified by IAPMO to meet Watersense® ASME A112.19.2M and all applicable requirements referenced therein and complies with requirements of ASSE 1037

- ADA 

WARRANTY

- Warranted for 5 years against material or manufacture defects.

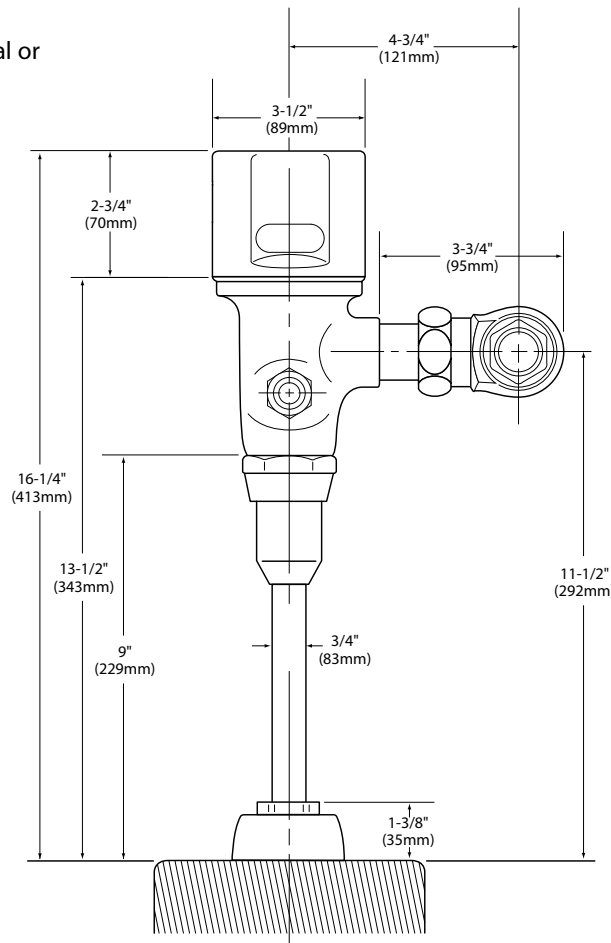


3/4" Battery Powered Exposed Style Urinal Flush Valve

Model: 8316



*** Intended for use with matching flow rates as specified by the fixture manufacturer**



CRITICAL DIMENSIONS

(DO NOT SCALE)