

PRODUCT SPECIFICATIONS

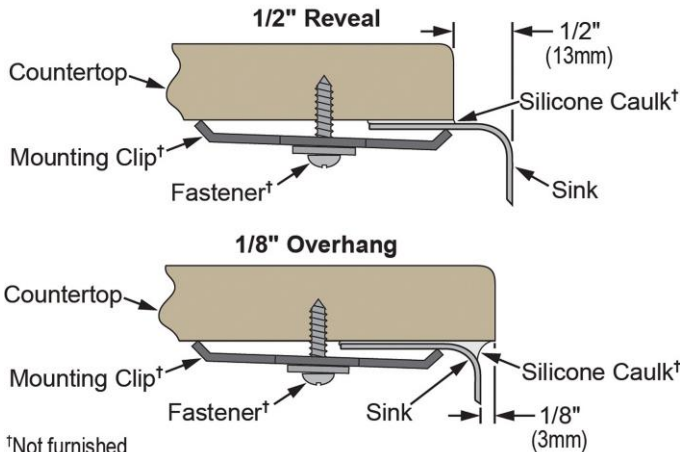
Elkay Lustertone Stainless Steel 32-1/16" x 18-1/2" x 9", 40/60 Double Bowl Undermount Sink with Aqua Divide. Sink is manufactured from 18 gauge 304 Stainless Steel with a Lustertone finish, Sound Guard.

Installation Type:	Undermount
Material:	304 Stainless Steel
Special Features:	Aqua Divide
Finish:	Lustertone
Gauge:	18
Sound Deadening:	Sound Guard
Number of Bowls:	2
Sink Dimensions:	32-1/16" x 18-1/2" x 9"
Bowl 1 Dimensions:	12-3/16" x 16-1/2" x 9"
Bowl 2 Dimensions:	16-1/2" x 16-1/2" x 9"
Drain Size:	3-1/2" (89mm)
Minimum Cabinet Size:	36"
Mounting Hardware:	Undermount brackets sold separately
Template Included:	Yes
Cutout Template #:	1000001476

Template is available for download at [elkay.com](#)

Special Note: Reversible design, sink can be rotated so large bowl is on the left or right

Installation Profile:



AMERICAN PRIDE. A LIFETIME TRADITION.
Like your family, the Elkay family has values and traditions that endure. For almost a century, Elkay has been a family-owned and operated company, providing thousands of jobs that support our families and communities.



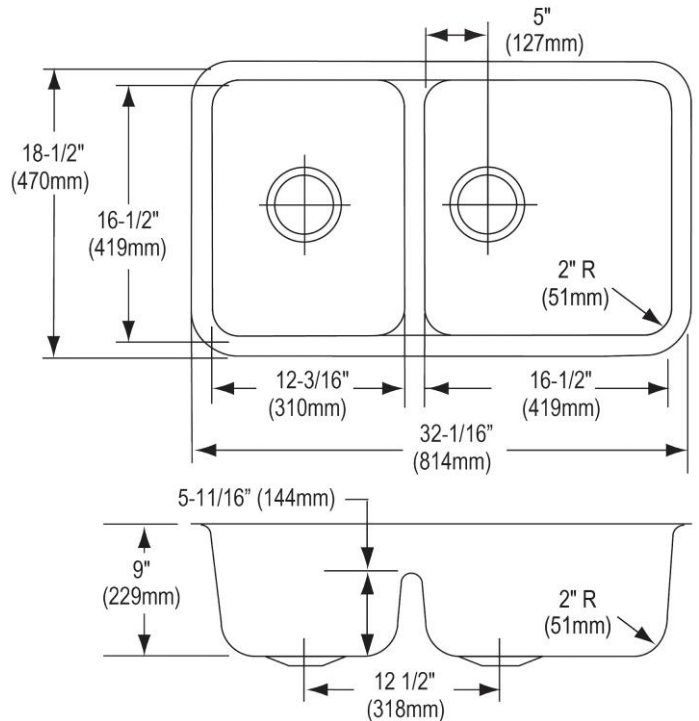
Sinks are listed by IAPMO[®] as meeting the applicable requirements of the Uniform Plumbing Code[®], International Plumbing Code[®], and National Plumbing Code of Canada.

Product Compliance: ASME A112.19.3/CSA B45.4

[Clean and Care Manual \(PDF\)](#)

[Installation Instructions \(PDF\)](#)

[Limited Lifetime Warranty \(PDF\)](#)



PART: _____ QTY: _____

PROJECT: _____

CONTACT: _____

DATE: _____

NOTES: _____

APPROVAL: _____

In keeping with our policy of continuing product improvement, Elkay reserves the right to change product specifications without notice. Please visit [elkay.com](#) for the most current version of Elkay product specification sheets. This specification describes an Elkay product with design, quality, and functional benefits to the user. When making a comparison of other producers' offerings, be certain these features are not overlooked.

OPTIONAL ACCESSORIES

Bottom Grid:	LKWOBG1716SS (large bowl), LKWBG1216SS (small bowl)
Drain:	LK99
Hardware:	LKUCLIP8 (2 Required)
Rinsing Basket:	LKWRB1716SS (large bowl), LKWERBSS (large bowl), LKWRB1216SS (small bowl)
Sinkmate:	LKSM17, LKSMHOOK, LKSMSPONGE, LKSMHSL

In keeping with our policy of continuing product improvement, Elkay reserves the right to change product specifications without notice. Please visit elkay.com for the most current version of Elkay product specification sheets. This specification describes an Elkay product with design, quality, and functional benefits to the user. When making a comparison of other producers' offerings, be certain these features are not overlooked.