



RQMA

Parts List
22-July-2011



*This parts list is current as of the above revision date.
See <http://www.rheempartslists.net/92-42800-RQMA.pdf> for the current revision.*

Package Heat Pumps

Table of Contents

Model Explanation	Page 3
Parts Numbers	
Panels - Miscellaneous.....	Page 4
Electrical Group.....	Page 5
Fan Group	Page 5
Blower Group	Page 5
Coil Parts	Page 6
Compressor Group.....	Page 6
Heater Kits.....	Page 7
Drawings/Photographs	
Exploded View	Page 8
Control Box	Page 9
Evaporator Coil Assembly	Page 9
Evaporator Coil Assembly Cap Tube Metering Device.....	Page 10
Condenser Assembly 018-030 - Before 5295	Page 11
Condenser Assembly 036 - Before 5295.....	Page 11
Condenser Assembly 018-036 - After 5295	Page 12
Blower Assembly.....	Page 12
Notes/Disclaimer	Page 13

MODEL NUMBER EXPLANATION

R	Q	M	A	-	A	0	3	6	J	K	010	547
1	2	3	4		5		6		7	8	9	10

- | | | | |
|----------|--|-----------|--|
| 1 | TRADENAME | 7 | ELECTRICAL DESIGNATION
J=208-230/1/60
C=208-230/3/60 |
| 2 | Q = PACKAGED HEAT PUMP | | |
| 3 | EFFICIENCY DESIGNATION
K = Standard Efficiency (10 SEER)
L = High Efficiency (11 SEER)
M = High Efficiency (12 SEER) | 8 | DRIVE PACKAGE
K = Direct Drive |
| 4 | DESIGN SERIES
A = 1st Design | 9 | ELECTRIC DESIGNATION
000 = No Resistance Heat
003 = 3 KW 010 = 10 KW
005 = 5 KW 011 = 10 KW
006 = 6 KW 015 = 15 KW
008 = 8 KW 016 = 15 KW (Canadian) |
| 5 | TECHNICAL VARIATIONS | | |
| 6 | COOLING CAPACITY (BTU/HR)
018 = 18,000 036 = 36,000
024 = 24,000 042 = 42,000
030 = 30,000 048 = 48,000 | 10 | OPTIONS |

SERIAL NUMBER EXPLANATION

5	2	0	3	F	5	0	9	4	0	0	0	0
	1			2	3		4			5		

- 1** **COMPRESSOR IDENTIFICATION NUMBER**
- 2** **PRODUCTION LOCATION**
FORT SMITH, AR
- 3** **WEEK OF PRODUCTION**
- 4** **YEAR OF PRODUCTION**
- 5** **PRODUCTION NUMBER**

No.	Notes	MODEL TECHNICAL VARIATION COOLING CAPACITY	RQMA A 018	RQMA A 024	RQMA A 030	RQMA A 036
PANELS, MISCELLANEOUS PARTS						
1		Base Rail (2)	AE-58562-02	AE-58562-02	AE-58562-02	AE-58562-02
2		Front Base Pan	AS-58628-05	AS-58628-05	AS-58628-05	AS-58628-05
3		Back Base Pan	AS-58607-10	AS-58607-10	AS-58607-10	AS-58607-10
4		Blower Shelf	AS-58630-01	AS-58630-01	AS-58630-01	AS-58630-01
5		Blower Shelf Transition	AS-58607-19	AS-58607-19	AS-58607-19	AS-58607-19
6		Divider Panel	AS-58607-03	AS-58607-03	AS-58607-03	AS-58607-03
7		Bulkhead Assembly	AS-58607-01	AS-58607-01	AS-58607-01	AS-58607-01
8		Cover Plate (On Blower Shelf)	AE-76216-01	AE-76216-01	AE-76216-01	AE-76216-01
9		Corner Post	AS-58607-39	AS-58607-39	AS-58607-39	AS-58607-39
10		Blower Access Panel	AS-58607-09	AS-58607-09	AS-58607-09	AS-58607-09
11		End Panel	AS-58607-04	AS-58607-04	AS-58607-04	AS-58607-04
12		Supply Cover - Pictured	AS-58607-06	AS-58607-06	AS-58607-06	AS-58607-06
12		Supply Cover - Side Option	AS-58607-35	AS-58607-35	AS-58607-35	AS-58607-35
13		Return Cover - Pictured	AS-58607-05	AS-58607-05	AS-58607-05	AS-58607-05
13		Return Cover - Side Option	AS-58607-34	AS-58607-34	AS-58607-34	AS-58607-34
14		Filter Access Panel	AS-58607-08	AS-58607-08	AS-58607-08	AS-58607-08
15		Condenser Louver Panel	AS-58607-38	AS-58607-38	AS-58607-38	AS-58607-38
16		Center Post	AE-58569-02	AE-58569-02	AE-58569-02	AE-58569-02
17		Control Access Panel	AE-58568-02	AE-58568-02	AE-58568-02	AE-58568-02
18		Venturi	AE-58585-01	AE-58585-01	AE-58585-01	AE-58585-01
19		Top Panel	AS-58607-07	AS-58607-07	AS-58607-07	AS-58607-07
20		Grille	AS-58634-01	AS-58634-01	AS-58634-01	AS-58634-01
21		Control Box (w/o components)	AE-58597-01	AE-58597-01	AE-58597-01	AE-58597-01
22		Control Box Cover	AE-58598-01	AE-58598-01	AE-58598-01	AE-58598-01
23		Heater Mounting Panel	AS-58607-16	AS-58607-16	AS-58607-16	AS-58607-16
24		Blank-Off Plate (Models without heat only)	AS-58607-17	AS-58607-17	AS-58607-17	AS-58607-17
25		Low Voltage Connection Box	AE-58647-01	AE-58647-01	AE-58647-01	AE-58647-01

No.	Notes	MODEL TECHNICAL VARIATION COOLING CAPACITY ELECTRICAL DESIGNATION	RQMA A 018-036 J	RQMA A 036 C		
ELECTRICAL GROUP						
CONTROL BOX COMPONENTS:						
28	Stk	Blower Relay	42-25104-06	42-25104-06		
29	Stk	Contactora	42-25101-01	42-25103-01		
30	Stk	Compressor Time Delay Control	42-22655-03	42-22655-03		
31		Terminal Strip	45-23591-01	45-23591-01		
32	Stk	Sequencing Relay	42-21593-03	42-21593-03		
33	Stk	Defrost Control	47-21776-06	47-21776-06		
34	Stk	Defrost Relay	42-21786-06	42-21786-06		
35	Stk	Transformer	46-25107-03	46-42140-03		

No.	Notes	MODEL TECHNICAL VARIATION COOLING CAPACITY ELECTRIC DESIGNATION	RQMA A 018/024/030 J	RQMA A 036 J/C		
FAN GROUP						
56	Stk	Fan Motor	51-21854-02	51-21854-02		
		Capacitor - Fan Motor	See Compressor Group			
57	Stk	Fan Blade	70-21848-05	70-21848-05		

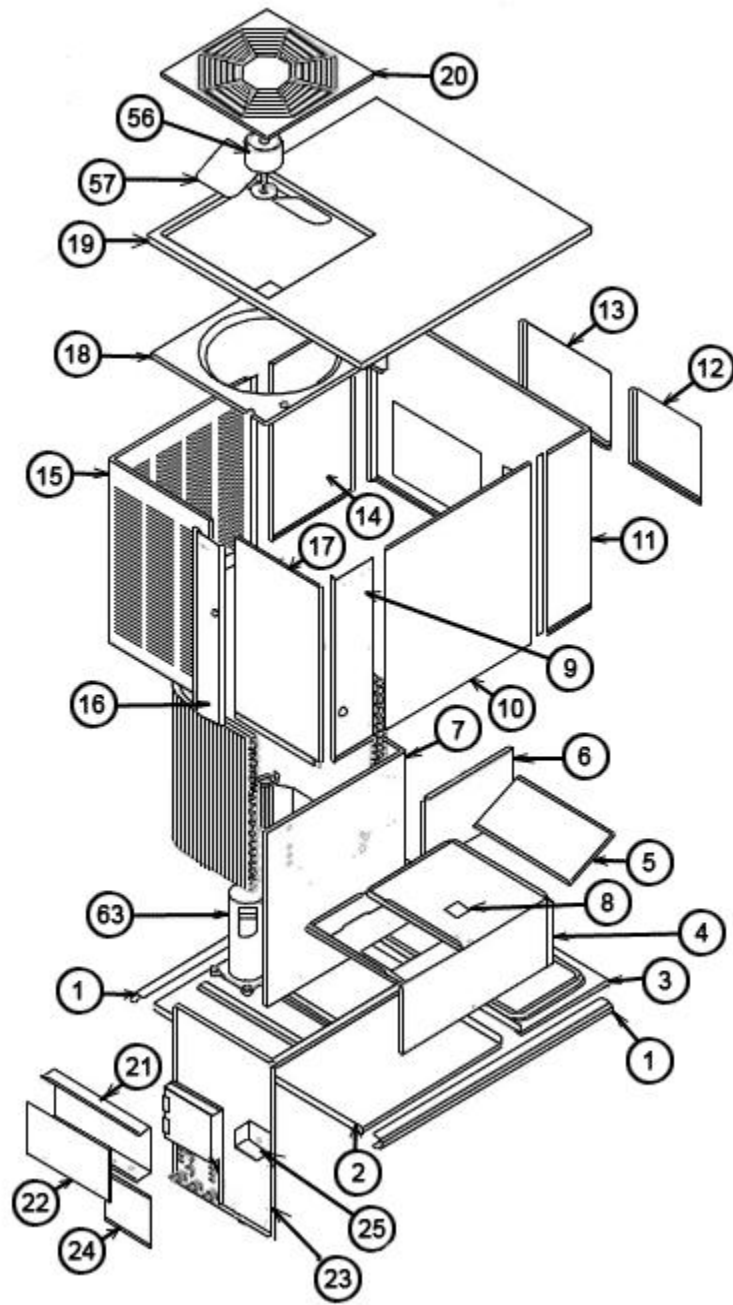
No.	Notes	MODEL TECHNICAL VARIATION COOLING CAPACITY ELECTRICAL DESIGNATION	RQMA A 018 J	RQMA A 024 J	RQMA A 030 J	RQMA A 036 J/C
BLOWER GROUP						
	Stk	Blower Assembly	AS-58662-01	AS-58662-01	AS-58662-02	AS-58662-03
59		Housing	AS-58619-01	AS-58619-01	AS-58619-02	AS-58619-02
60	Stk	Blower Wheel	70-18631-01	70-18631-01	70-18625-01	70-18625-01
61		Motor Mounting Bracket	AS-53148-03	AS-53148-03	AS-53148-03	AS-53148-03
62	Stk	Blower Motor	51-23608-02	51-23608-02	51-23609-02	51-23645-02
		Cut-Off	AE-64401-10	AE-64401-10	AE-64401-06	AE-64401-06
27	Stk	Capacitor - Blower Motor	43-20847-04	43-20847-04	43-20847-12	43-20847-12
	Stk	Limit Control	47-25334-01	47-25334-01	47-25334-01	47-25334-01

No.	Notes	MODEL TECHNICAL VARIATION COOLING CAPACITY	RQMA A 018	RQMA A 024	RQMA A 030	RQMA A 036	
COIL GROUP							
36	Stk	Evaporator Coil (Includes metering device)	AS-58627-83	AS-58627-83	AS-58627-83	AS-58627-83	
37		Distributor (w/o Piston)	61-23413-08	61-23413-08	61-23413-08	61-23413-08	
38	Stk	Flowcheck Piston Kit	61-25414-12	61-25414-12	61-25414-14	61-25414-14	
41	Stk	Drain Pan	AS-58607-32	AS-58607-32	AS-58607-32	AS-58607-32	
42		Drain Pan Grommet	56-23601-01	56-23601-01	56-23601-01	56-23601-01	
43		Auxiliary Drain Pipe	AE-58611-01	AE-58611-01	AE-58611-01	AE-58611-01	
44	Stk	Condenser Coil (Includes metering device)	AS-58556-81	AS-58556-81	AS-58556-81	AS-58556-81	
48		Distributor Without Piston	61-23413-04	61-23413-04	61-23413-04	61-23413-04	
49	Stk	Flowcheck Piston Kit	61-25414-12	61-25414-12	61-25414-14	61-25414-14	
45	Stk	Defrost Sensor	47-21777-04	47-21777-04	47-21777-04	47-21777-04	
	Stk	Defrost Control	47-21776-06	47-21776-06	47-21776-06	47-21776-06	
50		Charge Compensator	83-25022-06	83-25022-06	83-25022-06	83-25022-06	
51	Stk	Reversing Valve	61-22880-92	61-22880-92	61-22880-92	61-22880-92	
52	Stk	Solenoid Coil	61-22883-81	61-22883-81	61-22883-81	61-22883-81	
		Wiring Harness	61-22882-01	61-22882-01	61-22882-01	61-22882-01	
54	Stk	Expansion Valve	61-21922-56	61-21922-56	61-21922-57	61-21922-69	
55		Drain Trap (Attaches to Drain Pan)	68-23603-01	68-23603-01	68-23603-01	68-23603-01	
		Self Drilling Screw (For Drain Trap)	63-22159-01	63-22159-01	63-22159-01	63-22159-01	
		Service Valve Body (2)	61-18542-01	61-18542-01	61-18542-01	61-18542-01	
		Service Valve Core (2)	61-18551-01	61-18551-01	61-18551-01	61-18551-01	

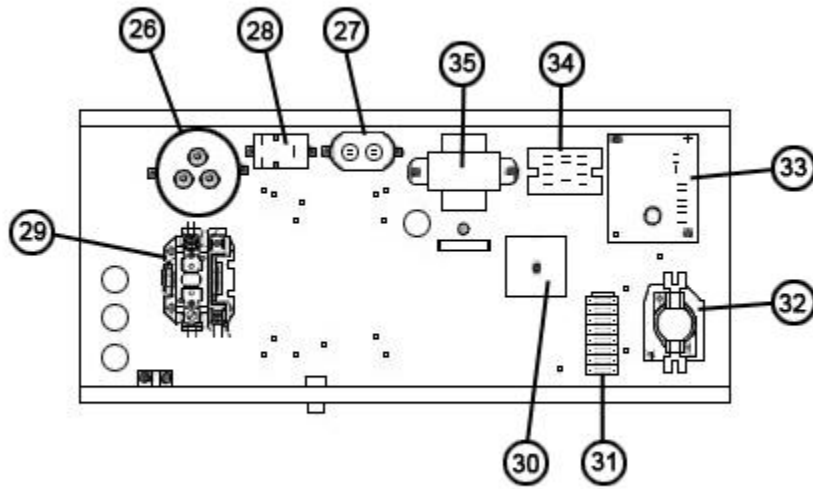
No.	Notes	MODEL TECHNICAL VARIATION COOLING CAPACITY ELECTRICAL DESIGNATION	RQMA A 018 J	RQMA A 024 J	RQMA A 030 J	RQMA A 036 J	RQMA A 036 C
COMPRESSOR GROUP							
		Compressor ID:	6230	5531	5532	5533	5903
63	Stk	Compressor	55-23139-03S	55-23139-44S	55-23139-48S	55-23139-57S	55-23139-58S
		Sound Enclosure	68-23427-08	68-23427-08	68-23427-08	N/A	N/A
26	Stk	Capacitor - Compressor/Fan	43-26261-03	43-26261-33	43-23204-34	43-23204-14	N/A
26	Stk	Capacitor - Fan Only	N/A	N/A	N/A	N/A	43-100496-02
		Capacitor Adapter Plate	AE-54609-01	N/A	N/A	N/A	AE-54609-02
		Compressor ID:	5204	5205	5206	5207	5902
63	Stk	Compressor	55-21737-10S	55-21737-44	55-21737-48	55-21737-57	55-21737-58S
		Time Delay Relay	42-22756-04	42-22756-04	42-22756-04	42-22756-04	N/A
		Sound Enclosure	68-23427-08	68-23427-08	68-23427-08	68-23427-08	N/A
26	Stk	Capacitor - Compressor/Fan	43-26261-02	43-23204-33	43-26271-34	43-23204-14	N/A
26	Stk	Capacitor - Fan Only	N/A	N/A	N/A	N/A	43-100496-02
		Capacitor Adapter Plate	AE-54609-01	N/A	N/A	N/A	AE-54609-02
		Compressor ID:	6898	6899			
63	Stk	Compressor	55-23155-02S	55-23155-06S			
26	Stk	Capacitor - Compressor/Fan	43-23204-04	43-23204-04			
		Sound Enclosure	68-23427-08	68-23427-08			

No.	Notes	MODEL	RQMA	RQMA	RQMA	RQMA	RQMA	RQMA	RQMA
		TECHNICAL VARIATION	A	A	A	A	A	A	A
		COOLING CAPACITY	018-036	018-030	018-030	018-036	018-030	024-036	024-036
		ELECTRICAL DESIGNATION	J	J	J	J	J	J	J
		HEATING CAPACITY	000	003	005	006	008	010	011
		COUNTRY	All	All	All	All	All	U.S.	Canada
HEATER KITS									
		Heater Kit	N/A	RXQJ-A03J	RXQJ-A05J	RXQJ-A06J	RXQJ-A08J	RXQJ-A10J	RXQJ-A11J

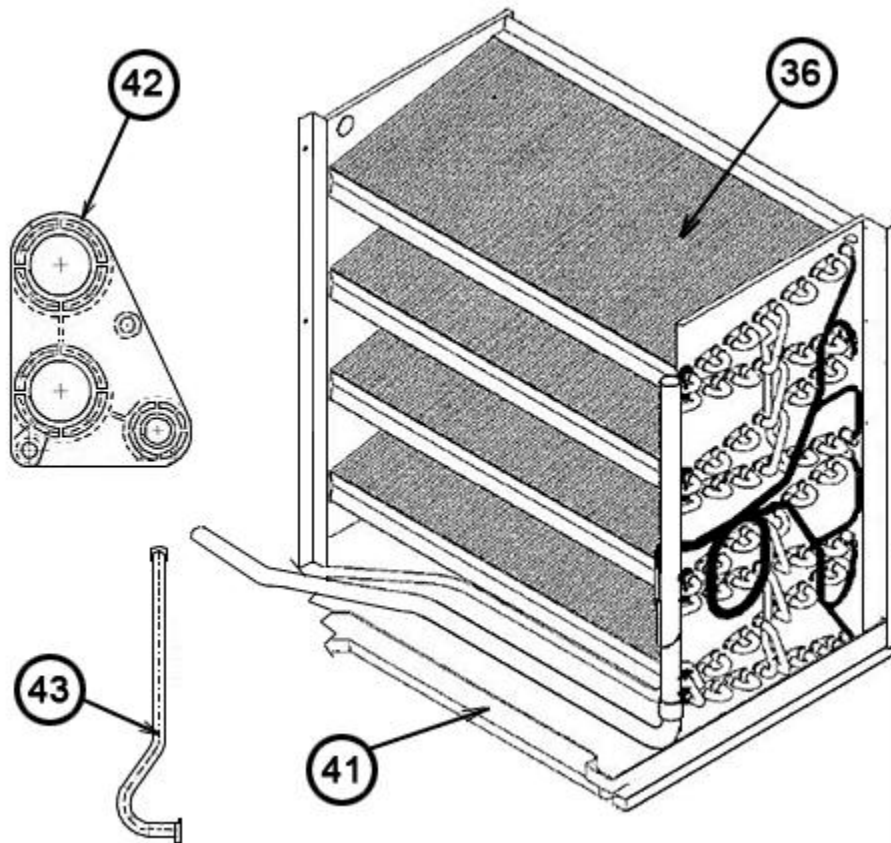
No.	Notes	MODEL	RQMA	RQMA	RQMA	RQMA	RQMA	RQMA	
		TECHNICAL VARIATION	A	A	A	A	A	A	
		COOLING CAPACITY	036	036	036	036	036	036	
		ELECTRICAL DESIGNATION	J	J	C	C	C	C	
		HEATING CAPACITY	015	016	016	016	016	016	
		COUNTRY	U.S.	Canada	All	U.S.	U.S.	Canada	
HEATER KITS									
		Heater Kit	RXQJ-A15J	RXQJ-A16J	RXQJ-A10C	RXQJ-A12C	RXQJ-A15C	RXQJ-A16C	



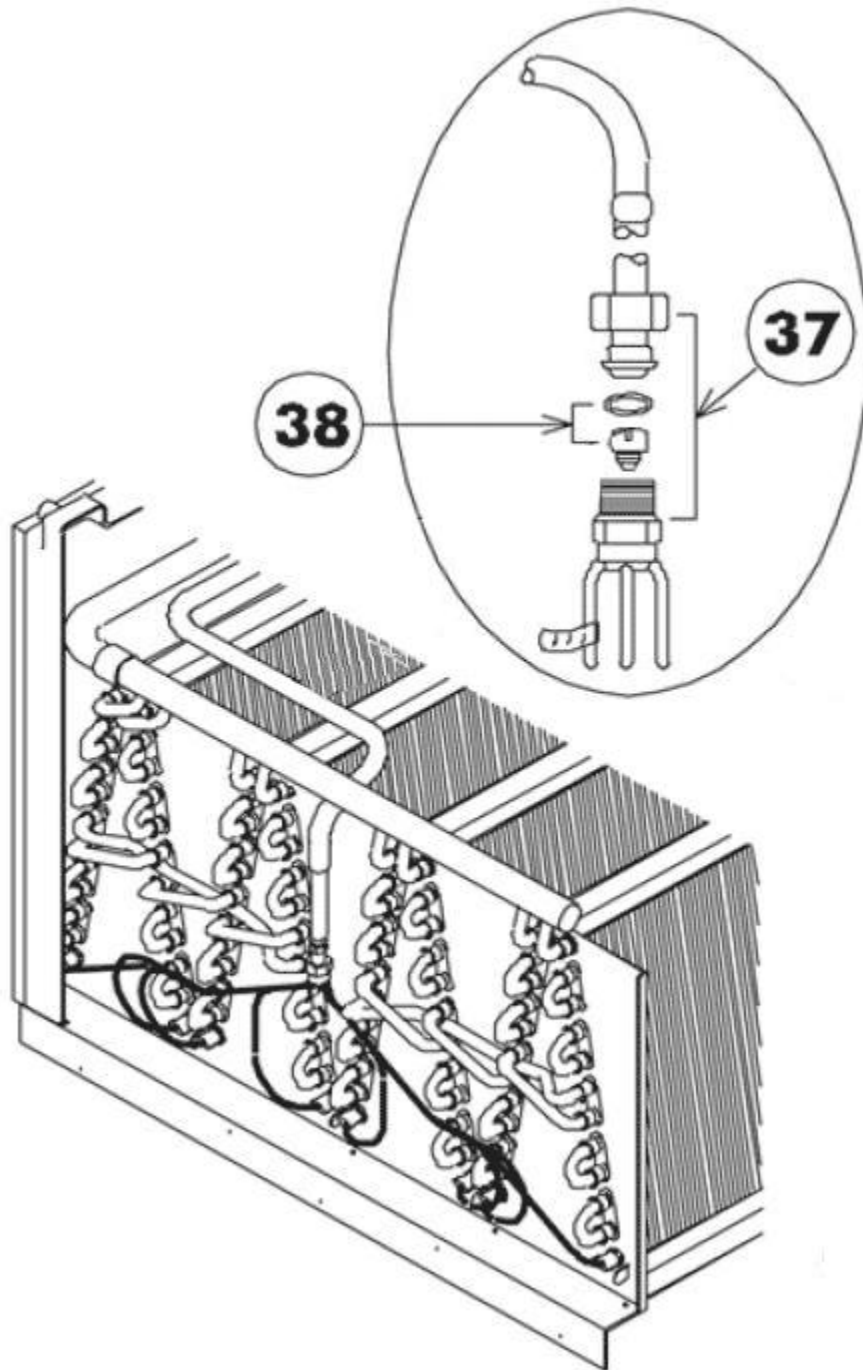
Exploded View



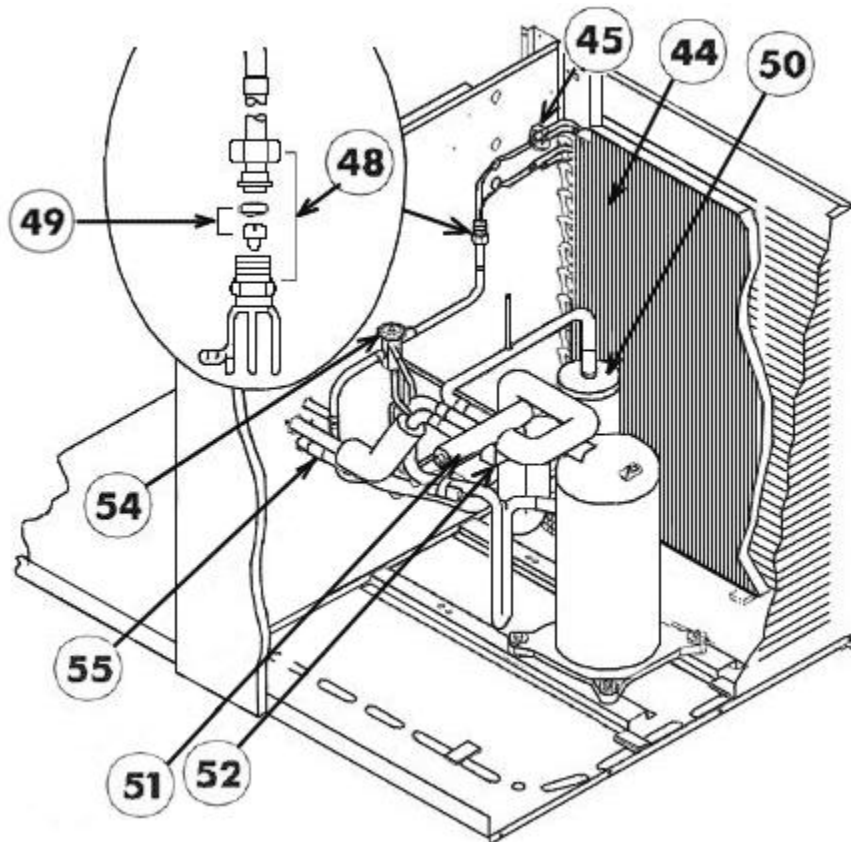
Control Box



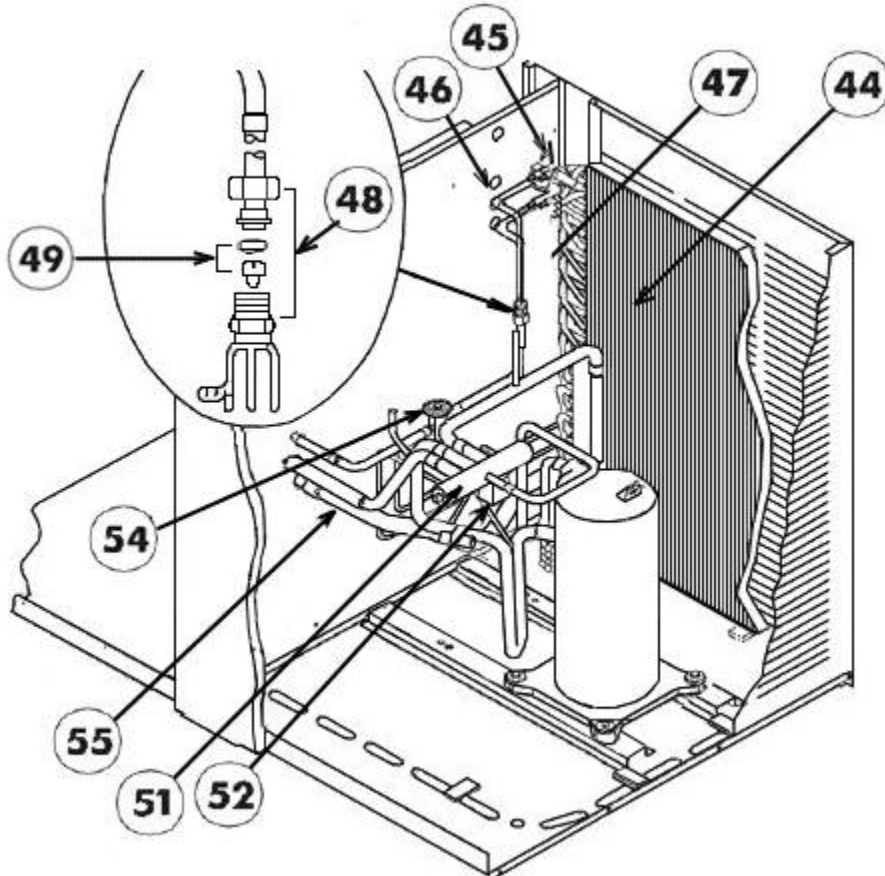
Evaporator Coil Assembly



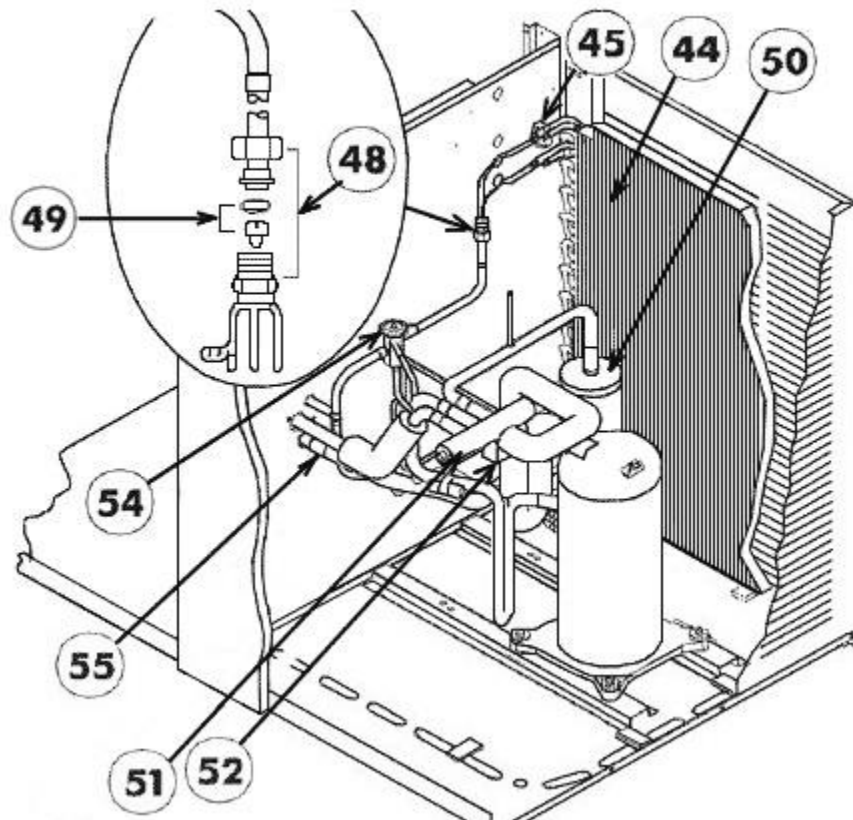
Evaporator Coil Assembly Cap Tube Metering Device



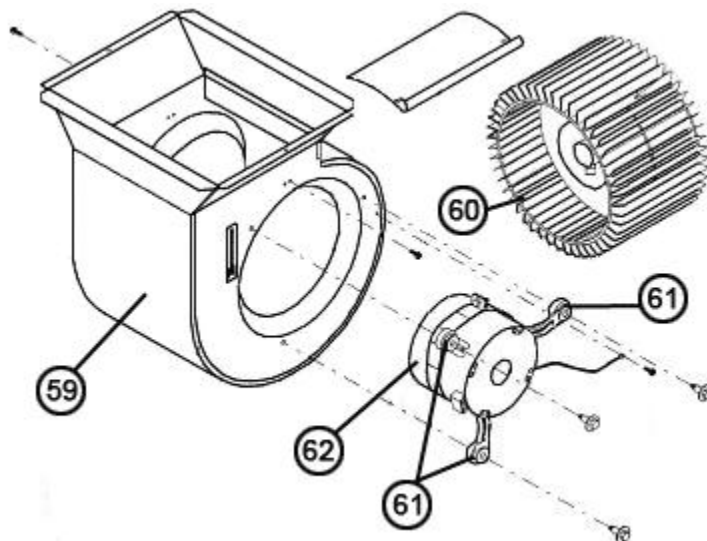
Condenser Assembly 018-030 - Before 5295



Condenser Assembly 036 - Before 5295



Condenser Assembly 018-036 - After 5295



Blower Assembly

NOTES

Stk It is recommended that stock be maintained for this part.
N/A Not Applicable

DISCLAIMER: This document is intended to provide general replacement parts information to aid qualified service personnel in the repair of these models. The complete Model and Serial Number of the unit under repair should be specified when selecting and ordering replacement parts. Specifications and illustrations are subject to change without notice. Document 92-42800-RQMA supersedes all previous parts lists for these models. See <http://www.rheempartslists.net/92-42800-RQMA> for the latest revision of this document. The manufacturer assumes no obligation for errors or omissions. Service personnel must verify the proper and safe operation of equipment after the replacement of any original components.